



US00D586932S

(12) **United States Design Patent**
Feinbloom et al.

(10) **Patent No.:** **US D586,932 S**
(45) **Date of Patent:** **** Feb. 17, 2009**

(54) **TWIN BEAM HEADLIGHT**

(75) Inventors: **Richard E. Feinbloom**, New York, NY (US); **Kenneth Braganca**, Ronkonkoma, NY (US)

(73) Assignee: **Designs for Vision, Inc.**, Ronkonkoma, NY (US)

(**) Term: **14 Years**

(21) Appl. No.: **29/308,413**

(22) Filed: **Jun. 16, 2008**

(51) **LOC (9) Cl.** **26-02**

(52) **U.S. Cl.** **D26/39**

(58) **Field of Classification Search** D26/37,
D26/39, 46; 362/105–109, 157, 158, 183,
362/195, 196, 200–208; D24/231
See application file for complete search history.

(56) **References Cited**

U.S. PATENT DOCUMENTS

3,745,993	A *	7/1973	Feinbloom	600/249
D238,958	S *	2/1976	Feinbloom	D26/39
D383,229	S *	9/1997	Kiichiro	D26/39
5,667,291	A *	9/1997	Caplan et al.	362/105
D399,580	S *	10/1998	Feinbloom	D26/39
D406,371	S *	3/1999	Van Der Bel	D26/39

6,667,832	B2 *	12/2003	Caplan et al.	359/409
6,955,444	B2 *	10/2005	Gupta	362/105
D531,335	S *	10/2006	Garrity	D26/39
D539,952	S *	4/2007	Iranyi et al.	D26/39
D552,278	S *	10/2007	Spartano et al.	D26/39
2006/0245175	A1 *	11/2006	Heine et al.	362/105
2008/0239707	A1 *	10/2008	Feinbloom et al.	362/105

* cited by examiner

Primary Examiner—Ian Simmons

Assistant Examiner—Carissa C Fitts

(74) *Attorney, Agent, or Firm*—The Plevy Law Firm

(57) **CLAIM**

We claim, the ornamental design for a twin beam headlight, as shown and described.

DESCRIPTION

FIG. 1 is a front elevational view of a twin beam headlight in accordance with the new design, showing a break indicating a tubular detail of no particular length;

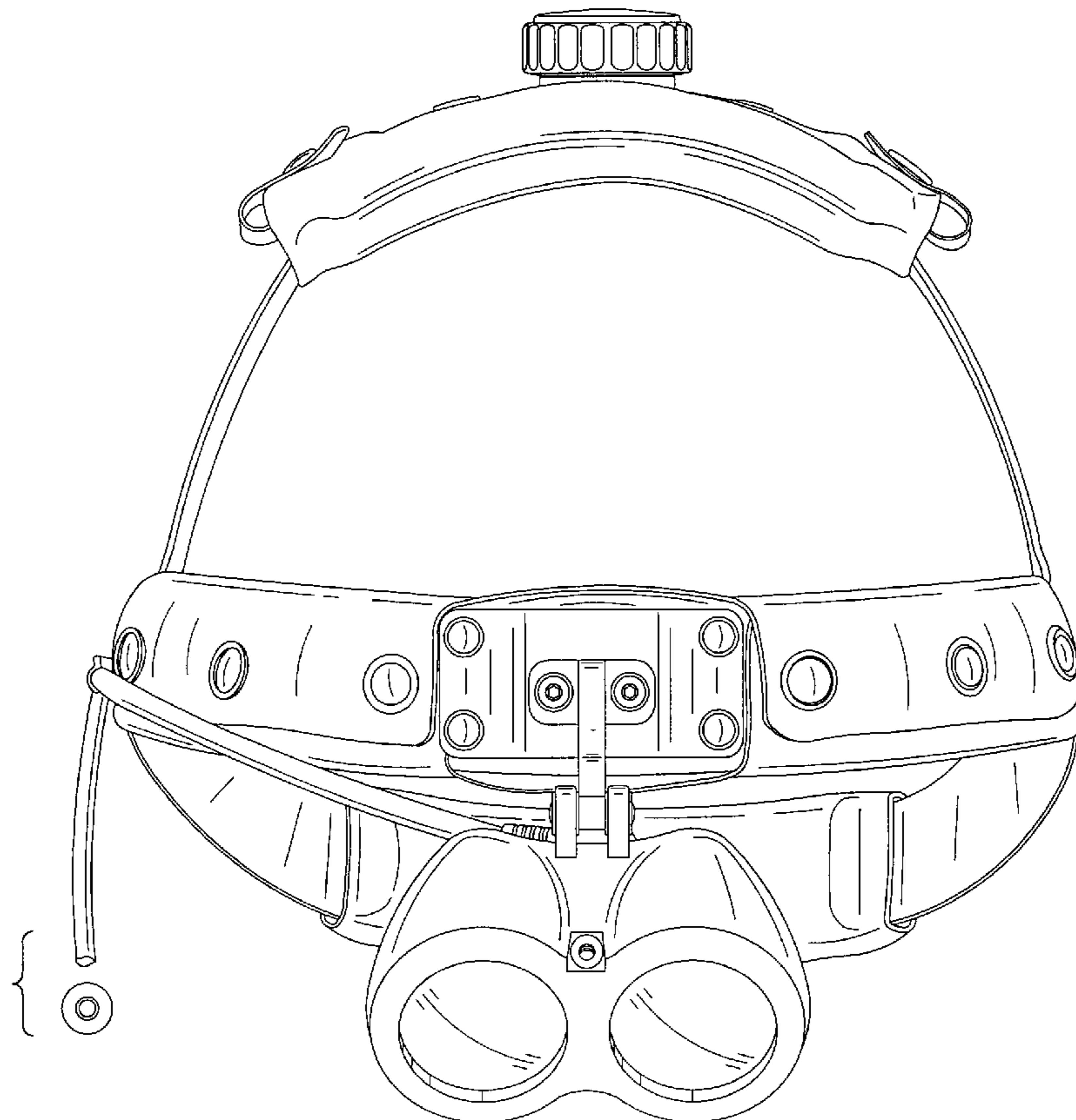
FIG. 2 is a side elevational view thereof;

FIG. 3 is a side elevational view from the opposite side shown in FIG. 2;

FIG. 4 is a rear elevational view thereof; and,

FIG. 5 is a top plan view thereof.

1 Claim, 5 Drawing Sheets



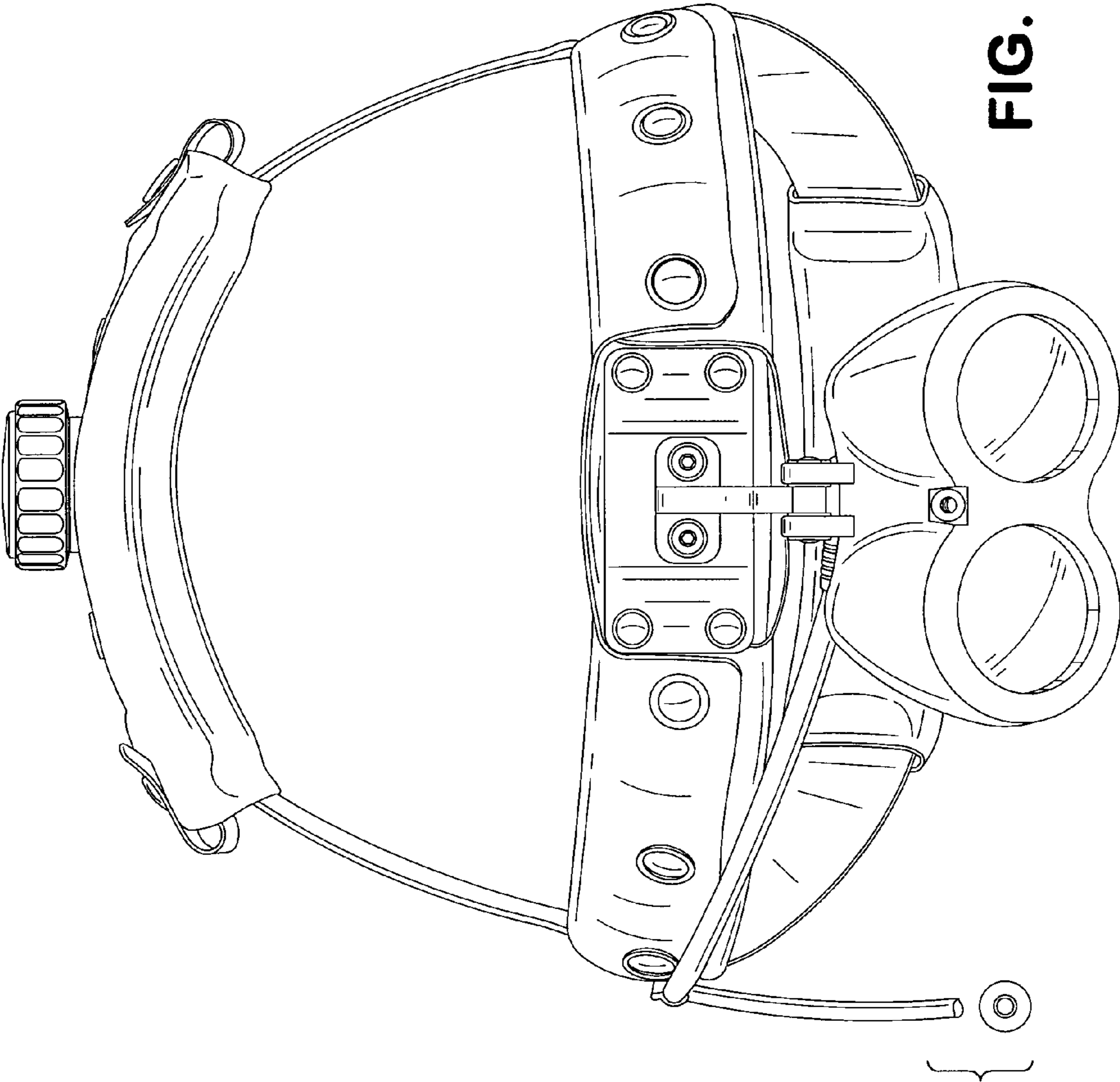


FIG. 1

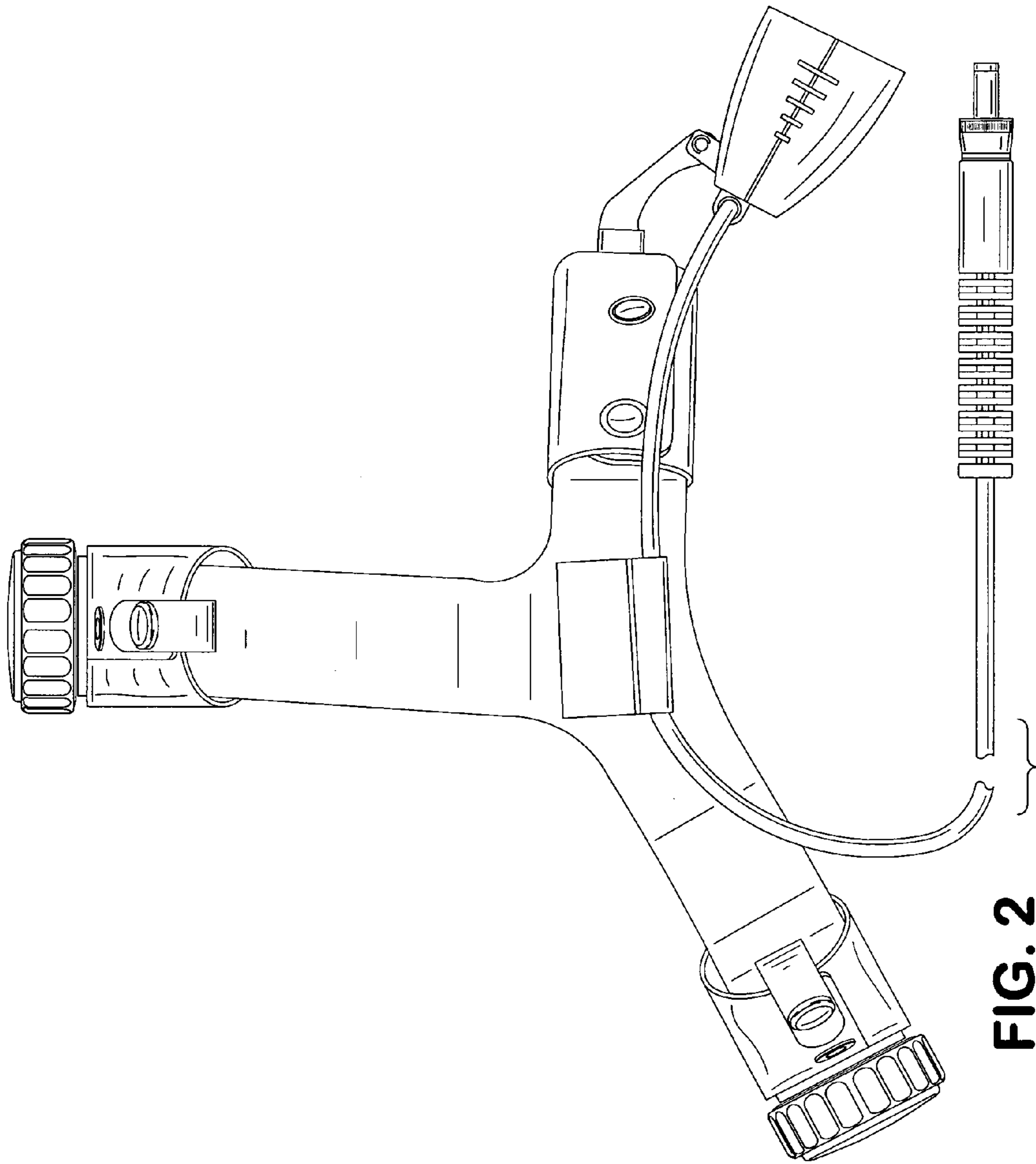


FIG. 2

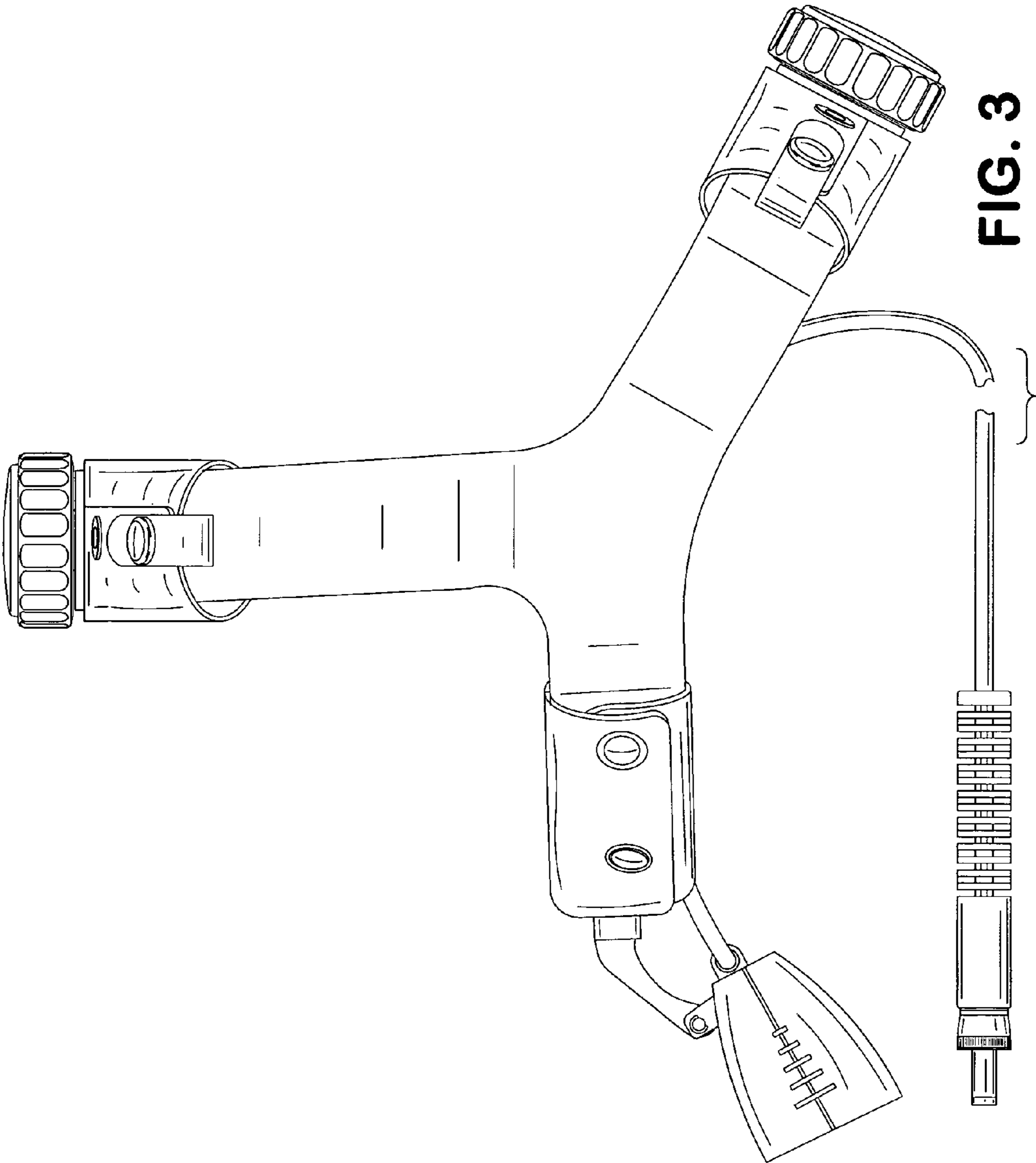


FIG. 3

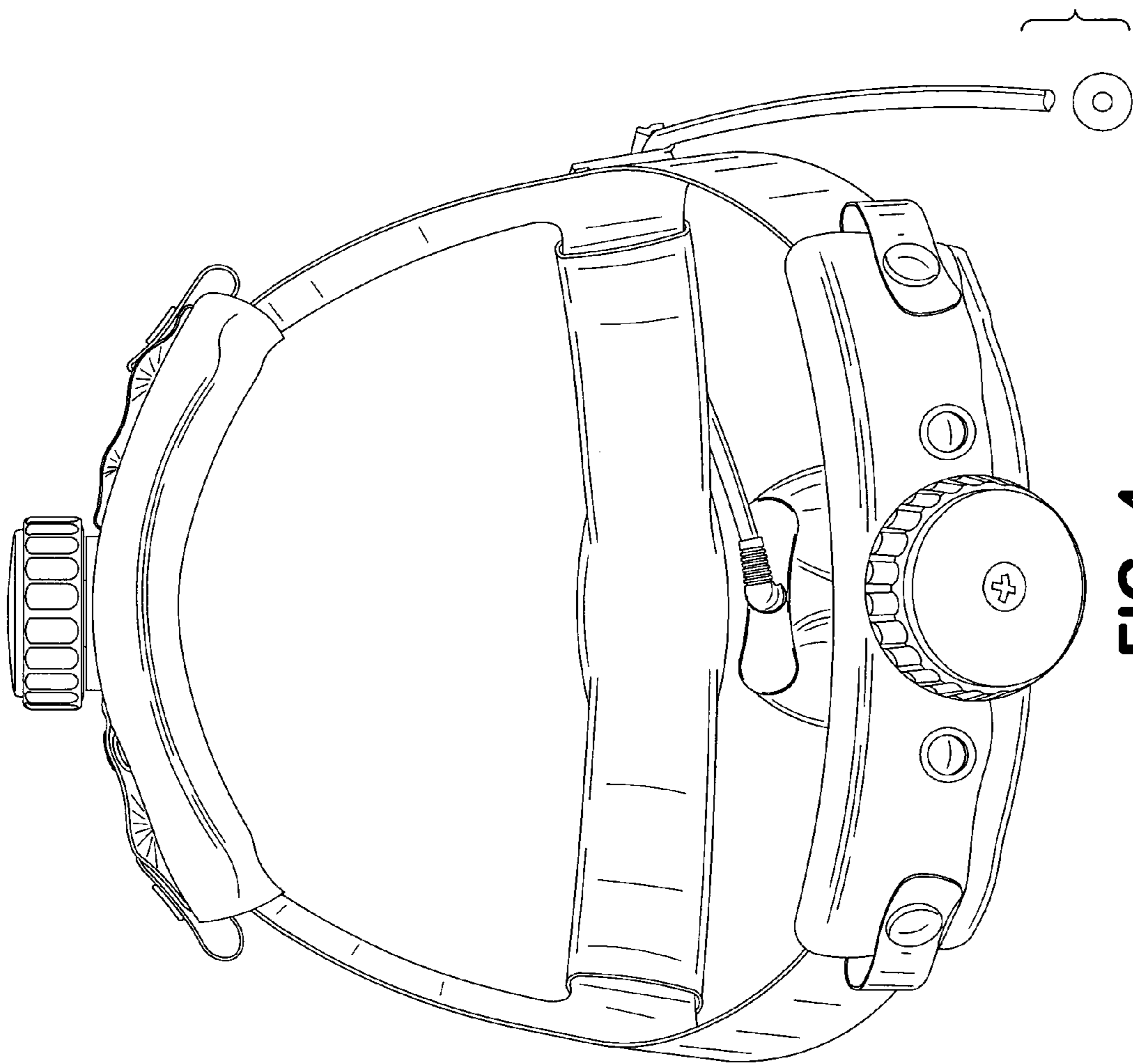


FIG. 4

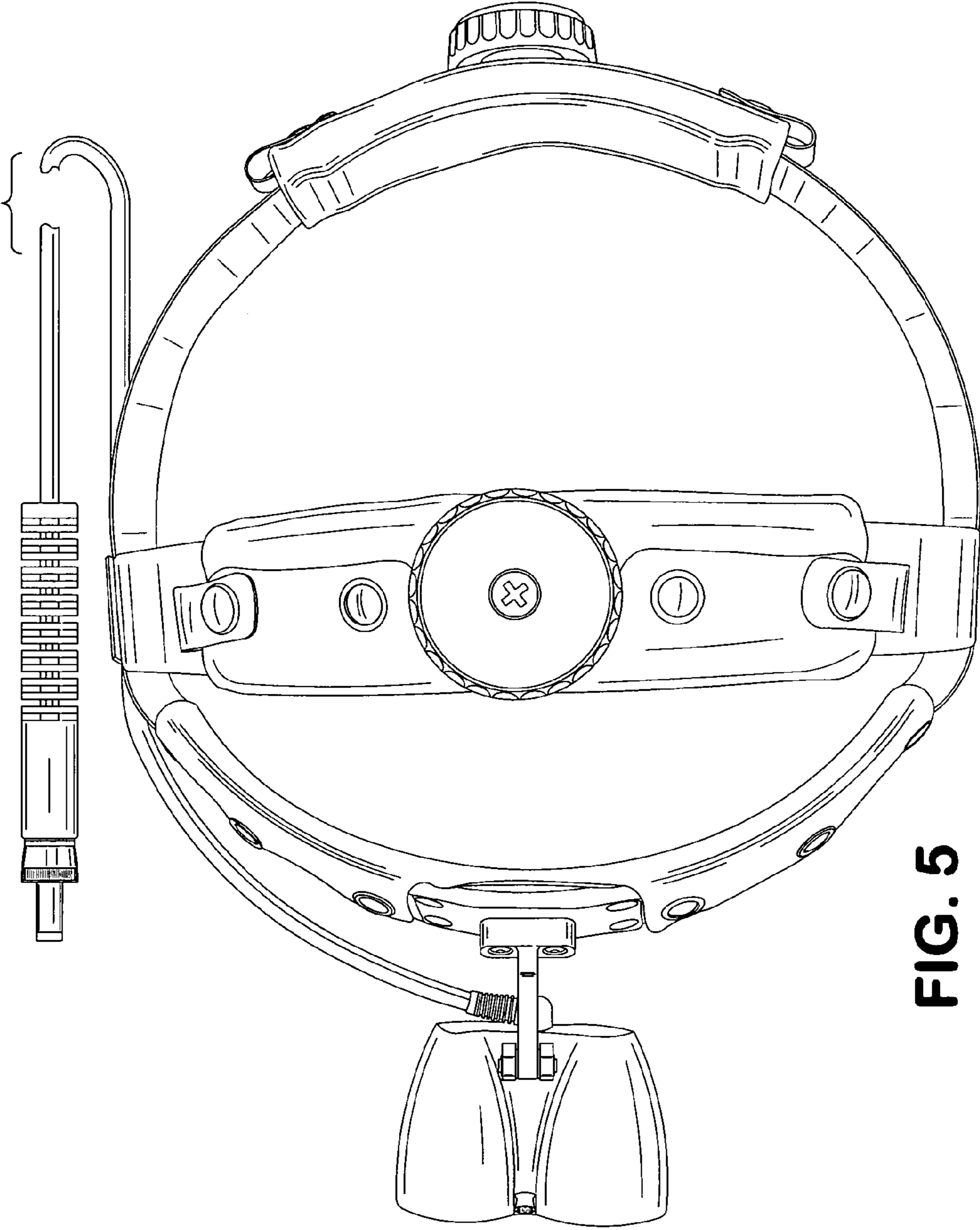


FIG. 5