



US00D586930S

(12) **United States Design Patent**
Gundlach et al.

(10) **Patent No.:** **US D586,930 S**
(45) **Date of Patent:** **** Feb. 17, 2009**

(54) **HITCH MOUNTED VEHICLE LIGHT**

(57) **CLAIM**

(76) Inventors: **Gary Gundlach**, 12 Treasure Island Rd., Plainville, MA (US) 02762; **Gary Avila**, 16 Chainey St., Seekonk, MA (US) 02771

The ornamental design for a hitch mounted vehicle light, as shown and described.

(**) Term: **14 Years**

DESCRIPTION

(21) Appl. No.: **29/310,168**

FIG. 1 is a perspective view of the hitch mounted vehicle light employing my new design;

(22) Filed: **Jul. 30, 2008**

FIG. 2 is a top view of the hitch mounted vehicle light of FIG. 1;

(51) **LOC (9) Cl.** **26-06**

(52) **U.S. Cl.** **D26/28; D12/162**

(58) **Field of Classification Search** **D26/28-36; 362/459-468, 475-478, 485-487; D12/162**
See application file for complete search history.

FIG. 3 is a bottom view of the hitch mounted vehicle light of FIG. 1;

FIG. 4 is a left side view of the hitch mounted vehicle light of FIG. 1;

(56) **References Cited**

U.S. PATENT DOCUMENTS

6,561,686	B1	5/2003	Neubauer	
D475,472	S *	6/2003	Hipp et al.	D26/28
D480,338	S *	10/2003	Harwood	D12/162
D509,919	S	9/2005	Durgan	
D557,835	S *	12/2007	Anderson	D26/28
2003/0012029	A1	1/2003	McCoy	
2004/0156205	A1	8/2004	Pisciotti	

FIG. 5 is a right side view of the hitch mounted vehicle light of FIG. 1;

FIG. 6 is a top view of the hitch mounted vehicle light of FIG. 1;

FIG. 7 is a bottom view of the hitch mounted vehicle light of FIG. 1; and,

FIG. 8 is a perspective view of the hitch mounted vehicle light of FIG. 1, showing a representative vehicle onto which the new design may be mounted in phantom.

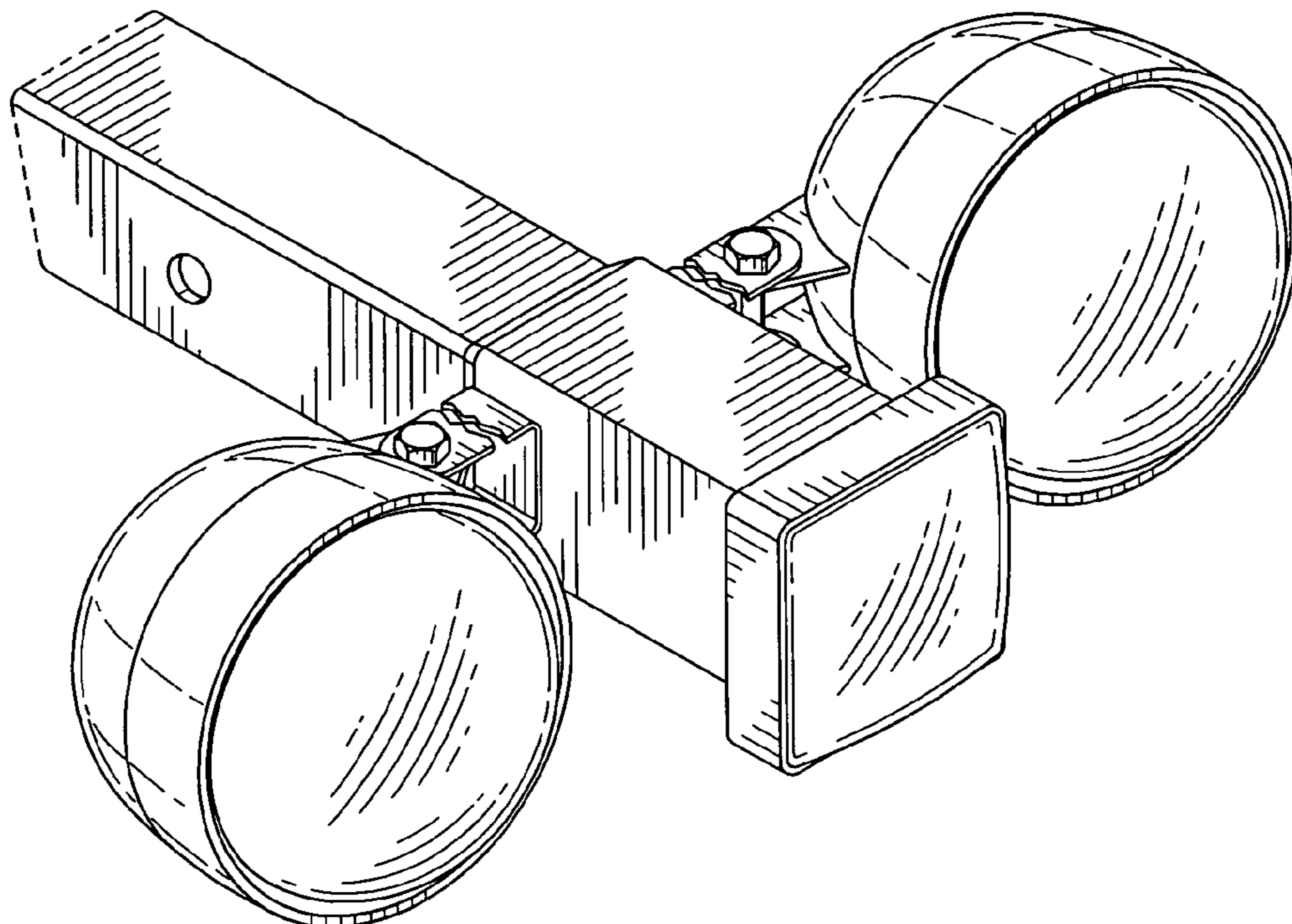
The broken lines are for illustrative purposes and form no part of the claimed invention.

The cutaway portions illustrate indeterminate length.

* cited by examiner

Primary Examiner—Marcus A. Jackson

1 Claim, 6 Drawing Sheets



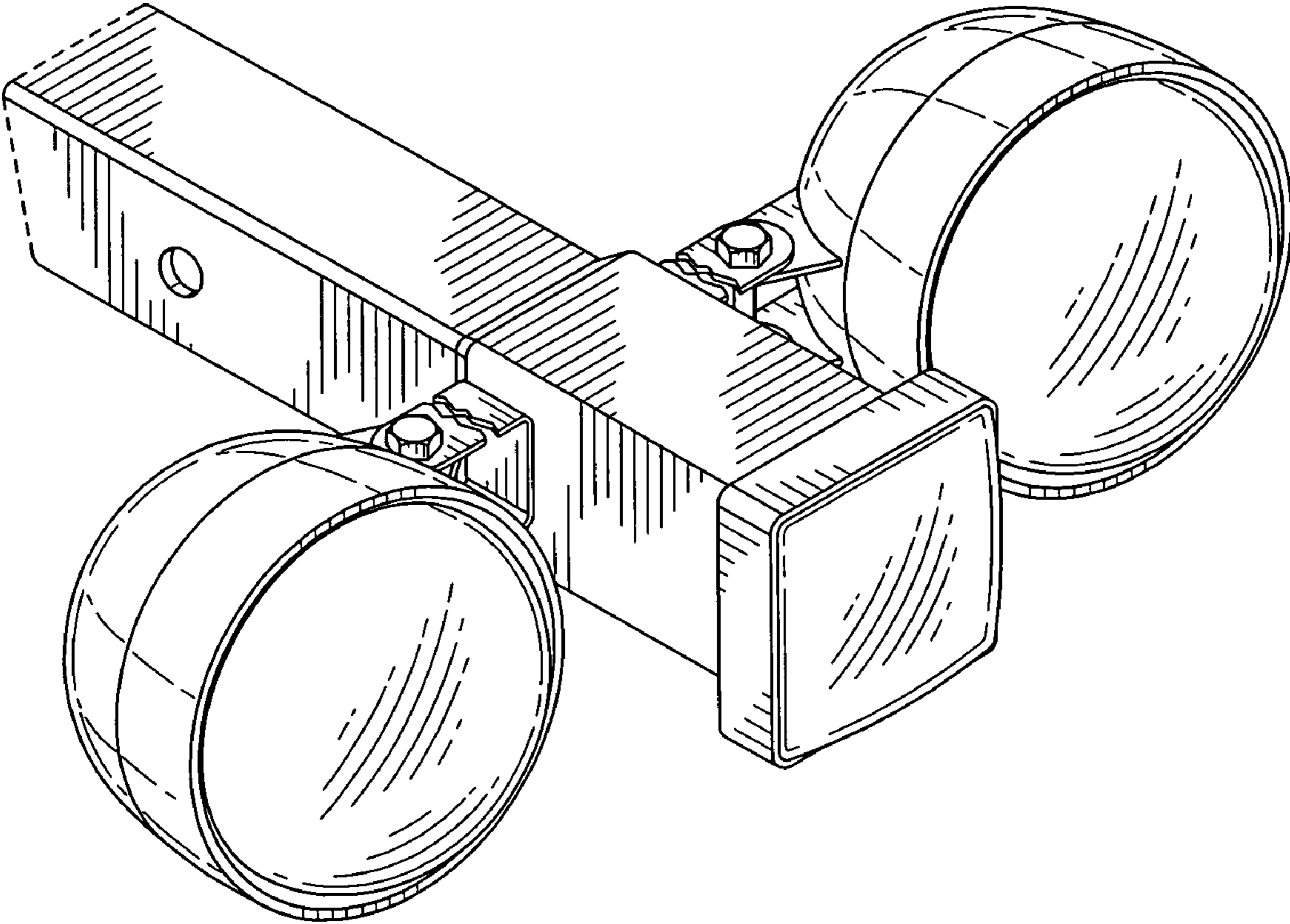


FIG. 1

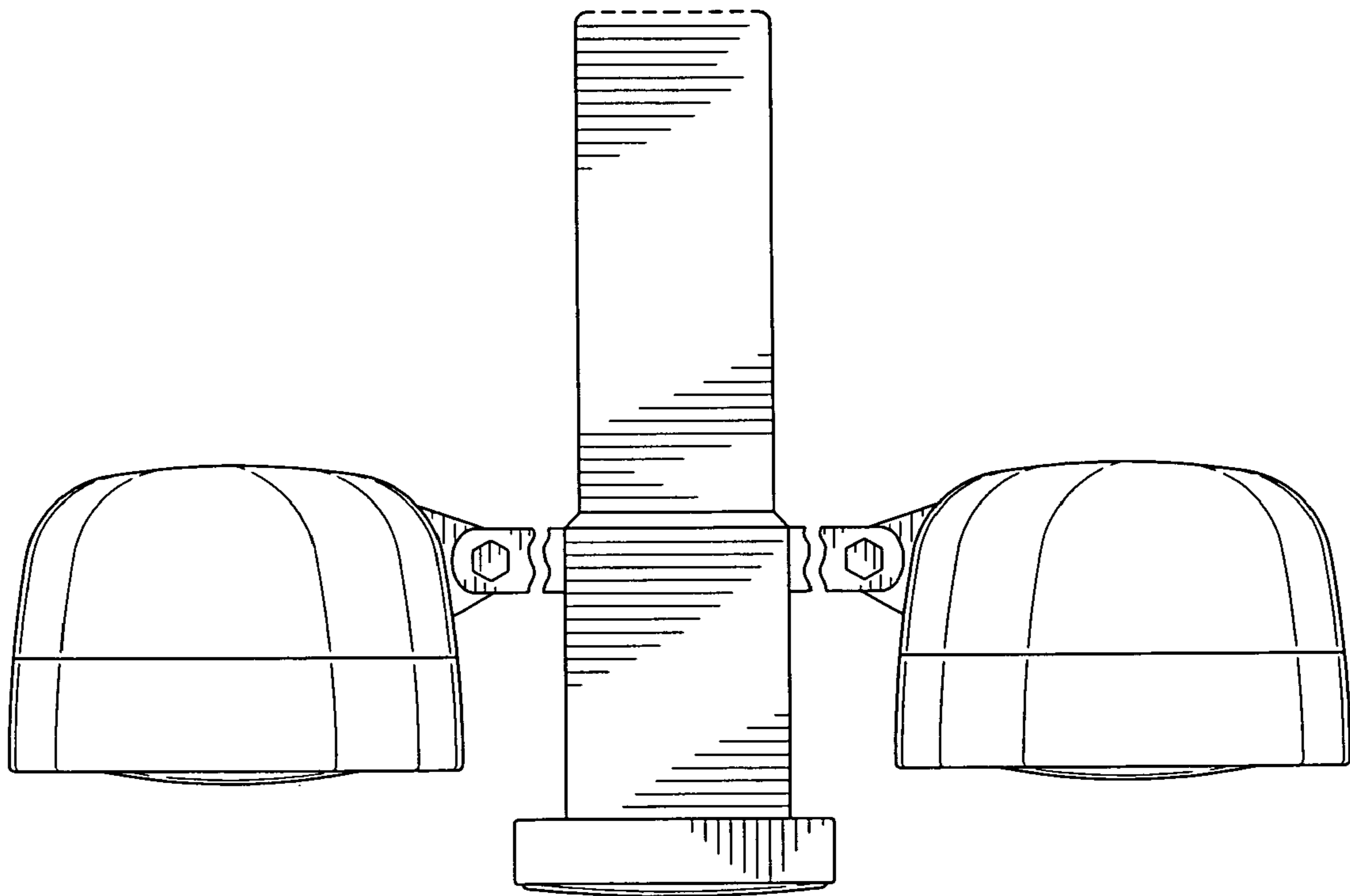


FIG. 2

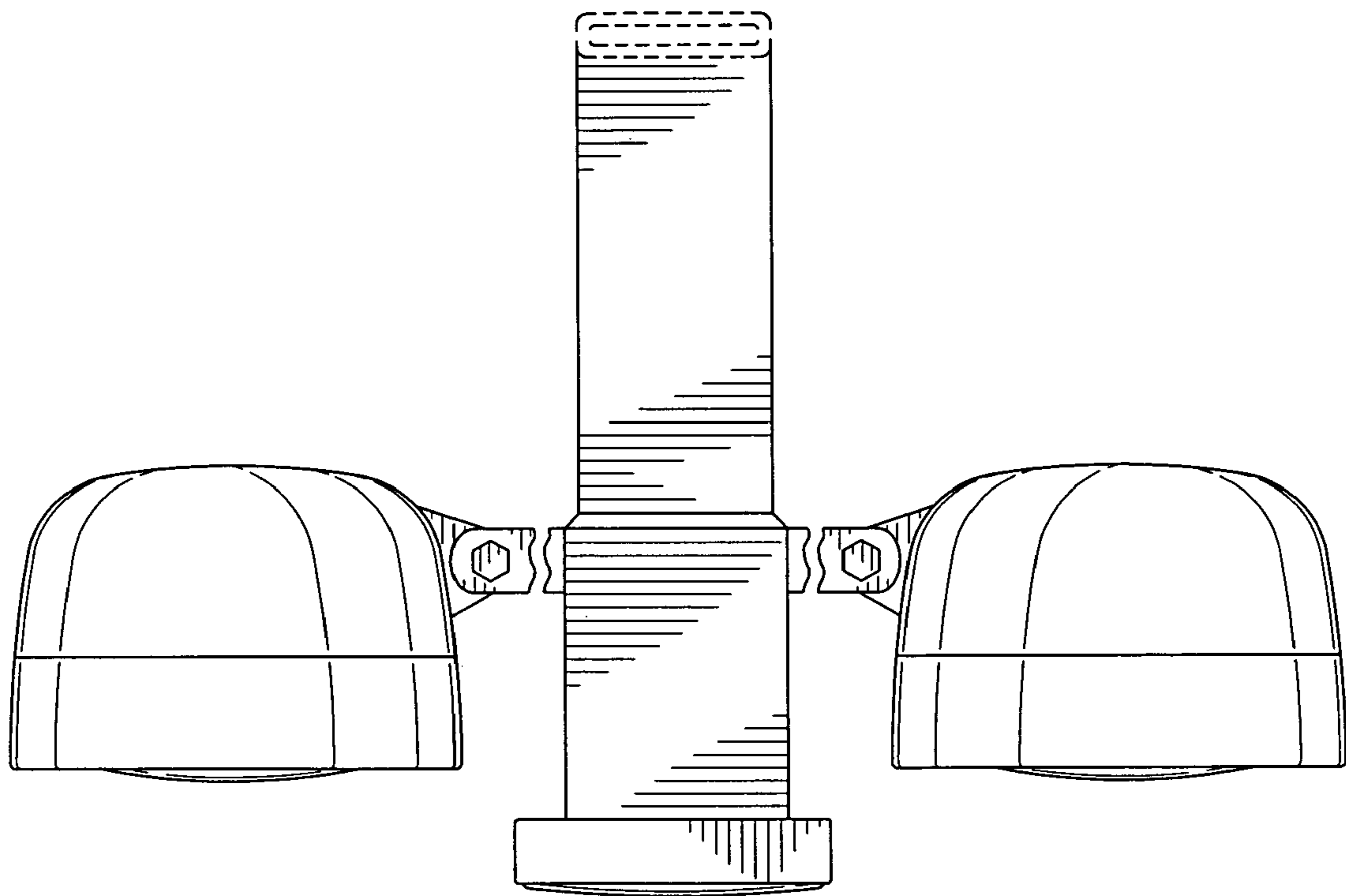


FIG. 3

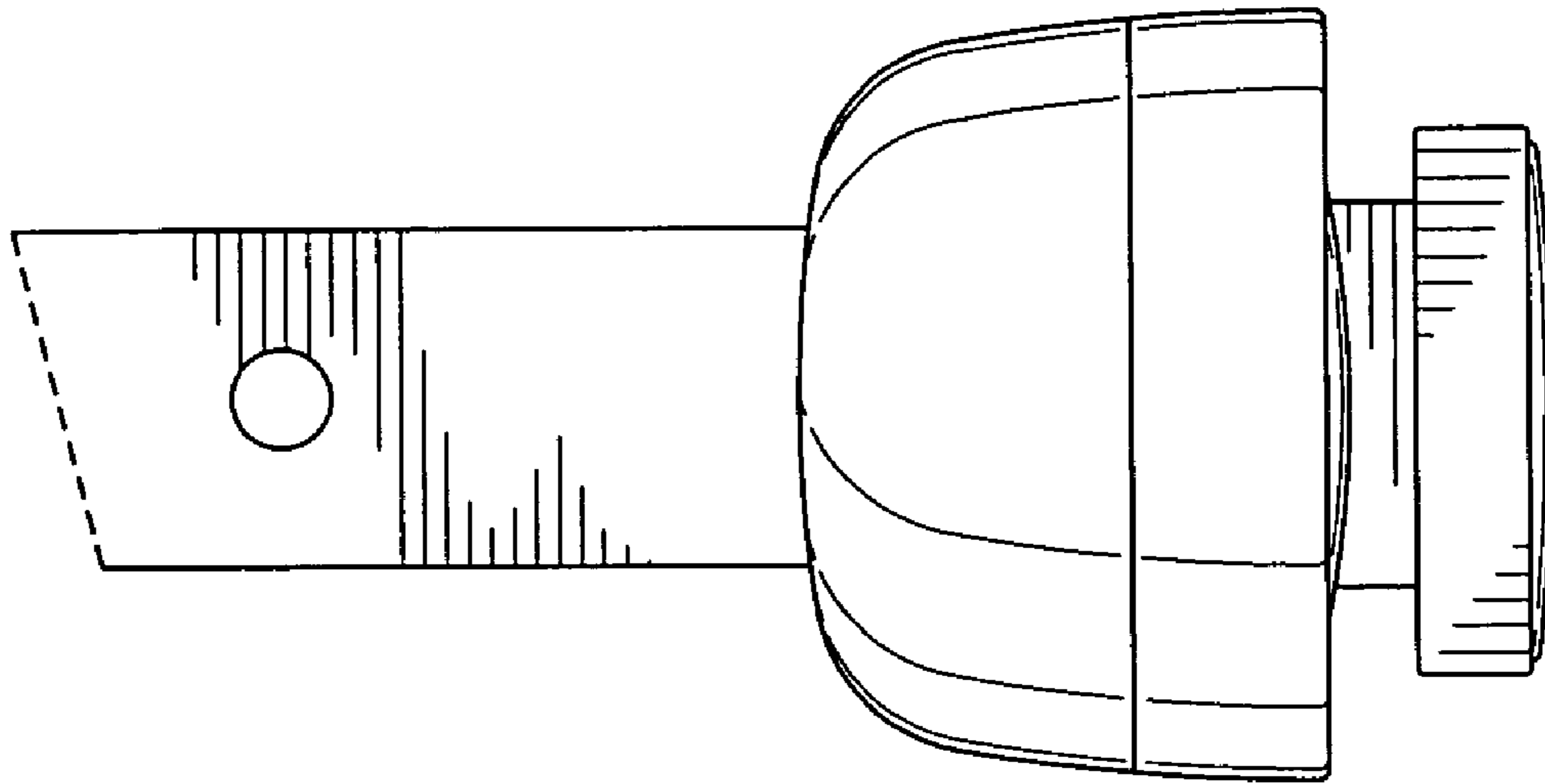


FIG. 4

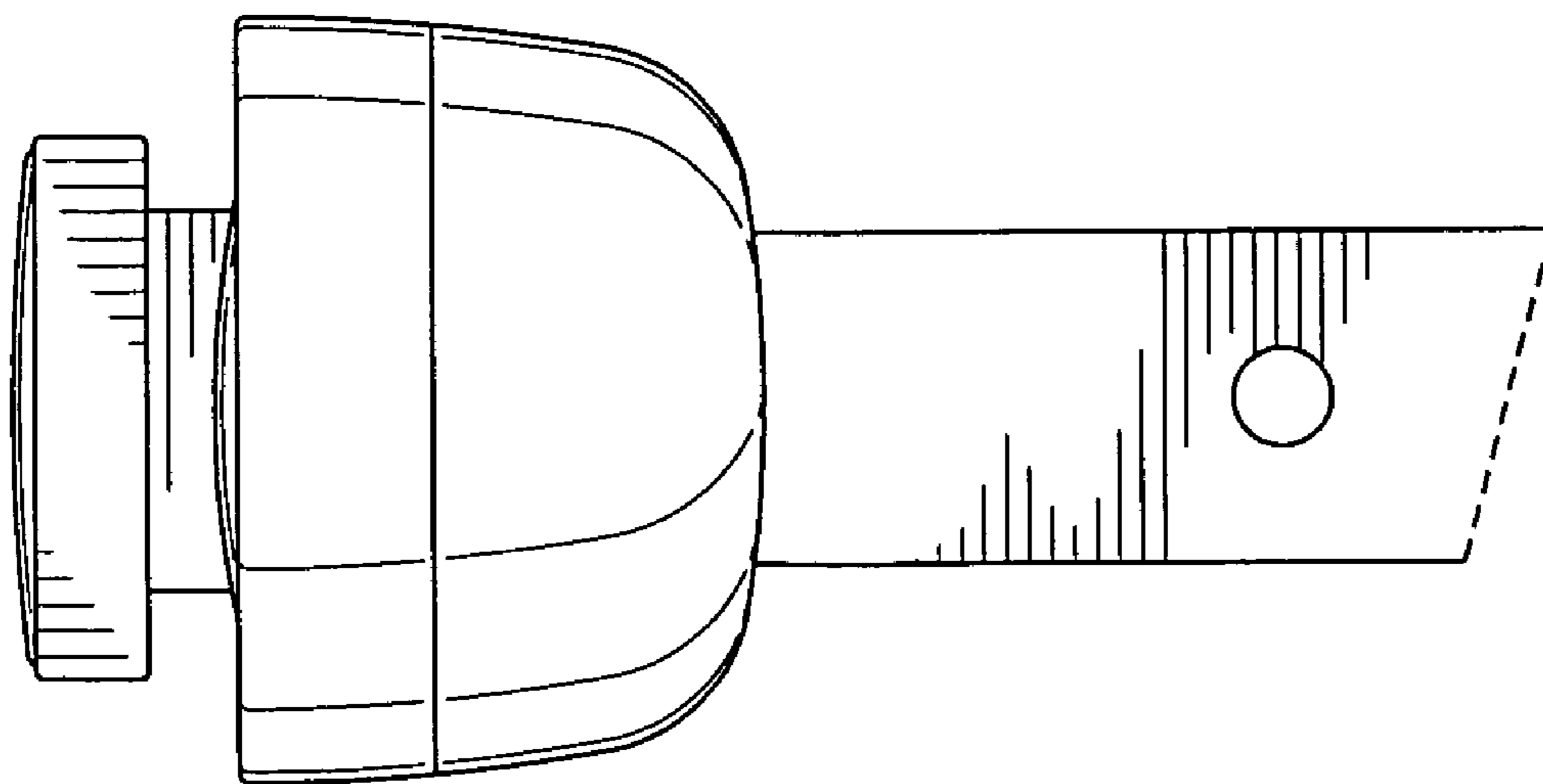


FIG. 5

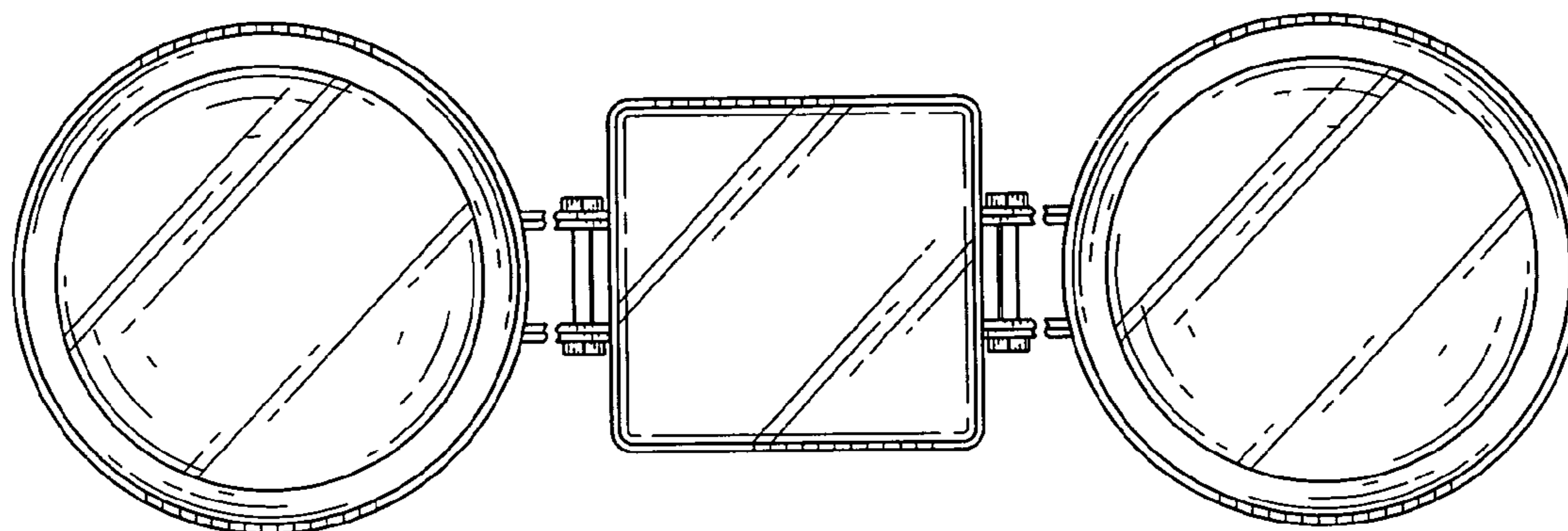


FIG. 6

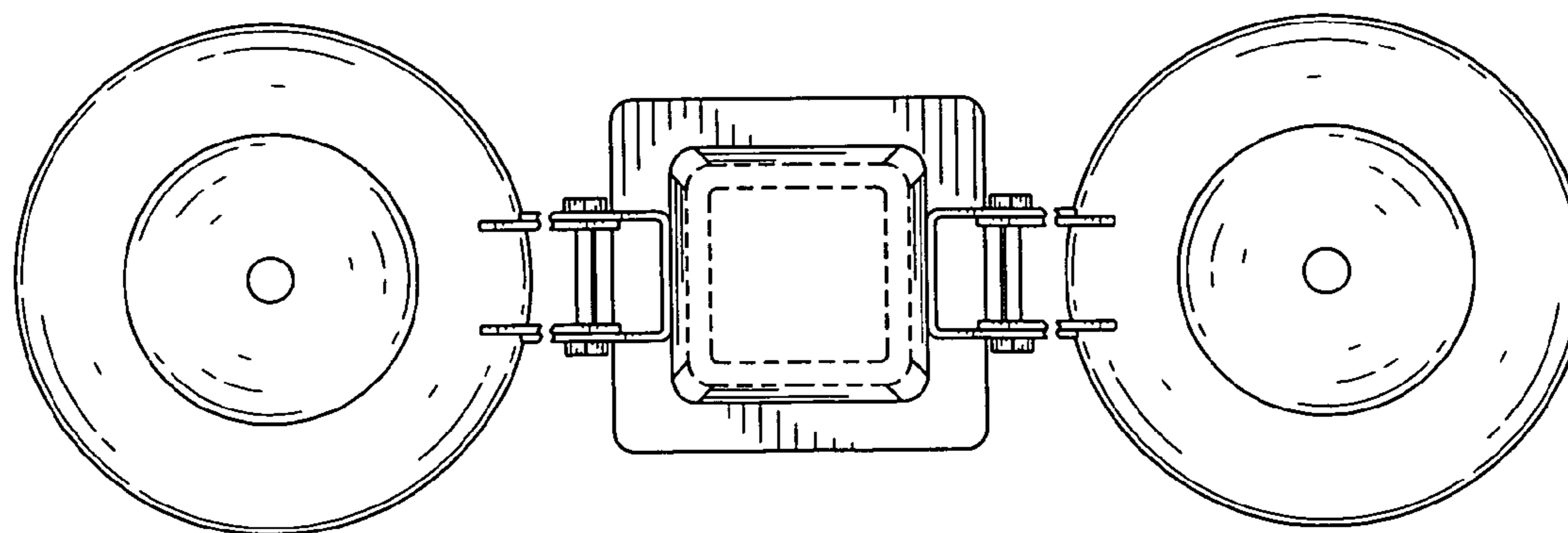


FIG. 7

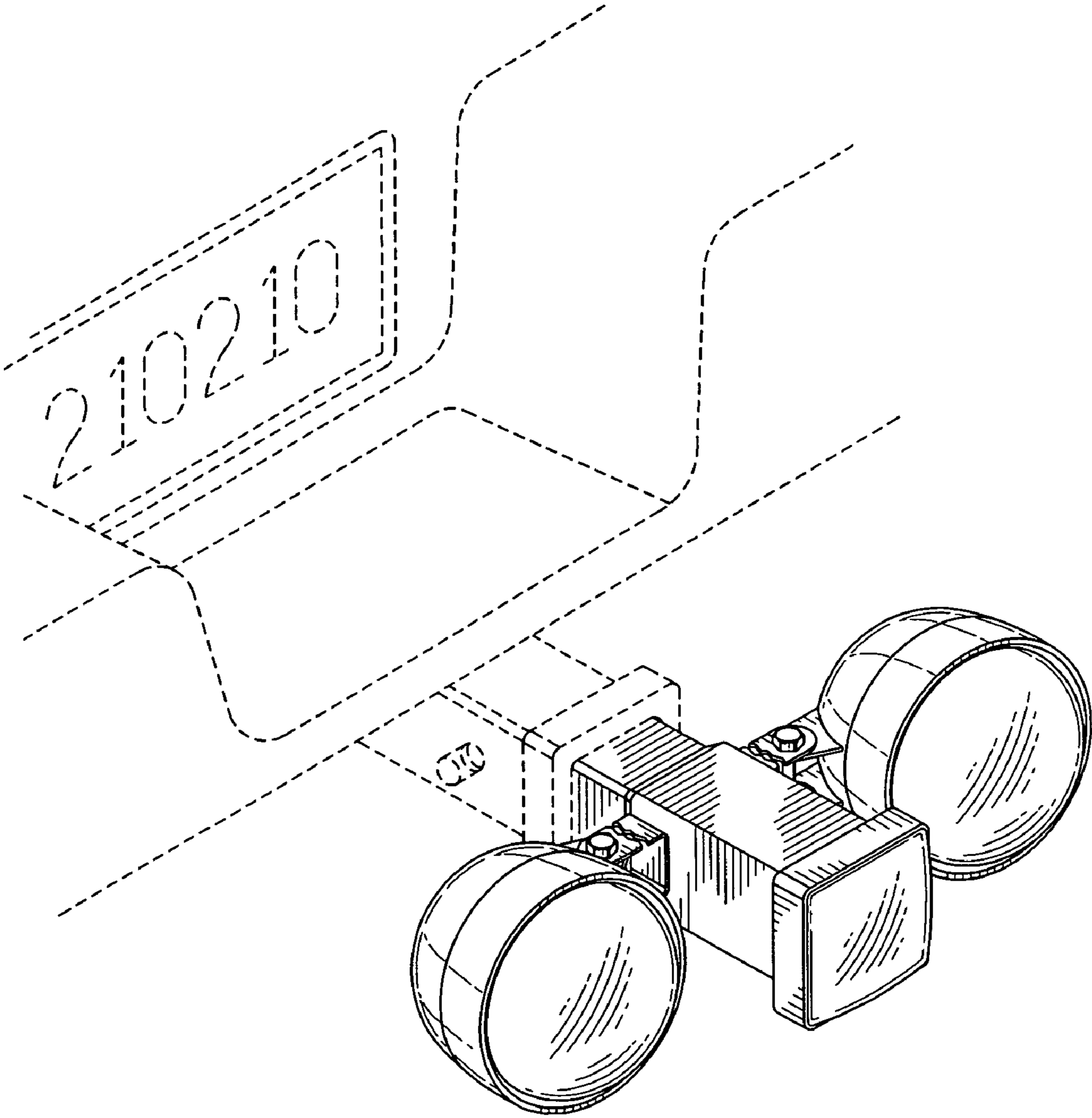


FIG. 8