



US00D586928S

(12) **United States Design Patent**  
**Liu et al.**

(10) **Patent No.:** **US D586,928 S**

(45) **Date of Patent:** **\*\* Feb. 17, 2009**

(54) **LED LAMP**

D528,673 S \* 9/2006 Maxik et al. .... D26/2  
D534,665 S \* 1/2007 Egawa et al. .... D26/2  
D549,854 S \* 8/2007 Takahashi ..... D26/2

(75) Inventors: **Tay-Jian Liu**, Taipei Hsien (TW); **Feng Tian**, Shenzhen (CN); **Ying Xiong**, Shenzhen (CN)

\* cited by examiner

(73) Assignee: **Foxxconn Technology Co., Ltd.**, Tu-Cheng, Taipei Hsien (TW)

*Primary Examiner*—Marcus A Jackson

(74) *Attorney, Agent, or Firm*—Frank R. Niranjana

(\*\*) Term: **14 Years**

(57) **CLAIM**

(21) Appl. No.: **29/323,216**

The ornamental design for an LED lamp, as shown.

(22) Filed: **Aug. 21, 2008**

**DESCRIPTION**

(51) **LOC (9) Cl.** ..... **26-04**

FIG. 1 is a perspective view of an LED lamp showing our new design.

(52) **U.S. Cl.** ..... **D26/2**

FIG. 2 is a front elevational view of the LED lamp.

(58) **Field of Classification Search** ..... D26/28–36;  
362/459–468, 475–478, 485–487

FIG. 3 is a rear elevational view of the LED lamp.

See application file for complete search history.

FIG. 4 is a left side elevational view of the LED lamp.

FIG. 5 is a right side elevational view of the LED lamp.

(56) **References Cited**

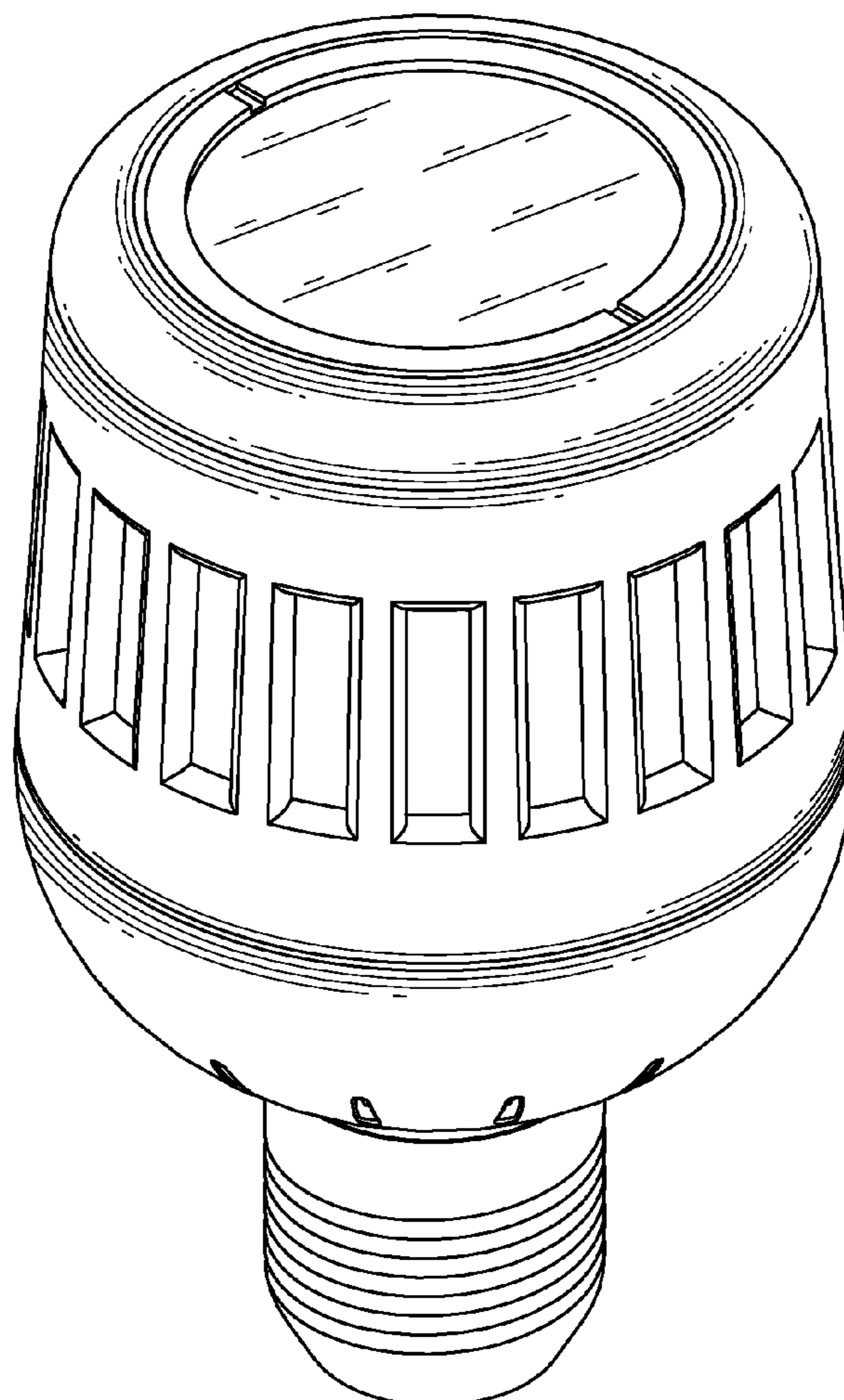
FIG. 6 is a top plan view of the LED lamp; and,

FIG. 7 is a bottom plan view of the LED lamp.

**U.S. PATENT DOCUMENTS**

D499,820 S \* 12/2004 Foo ..... D26/2  
D508,575 S \* 8/2005 Buschmann et al. .... D26/2

**1 Claim, 7 Drawing Sheets**



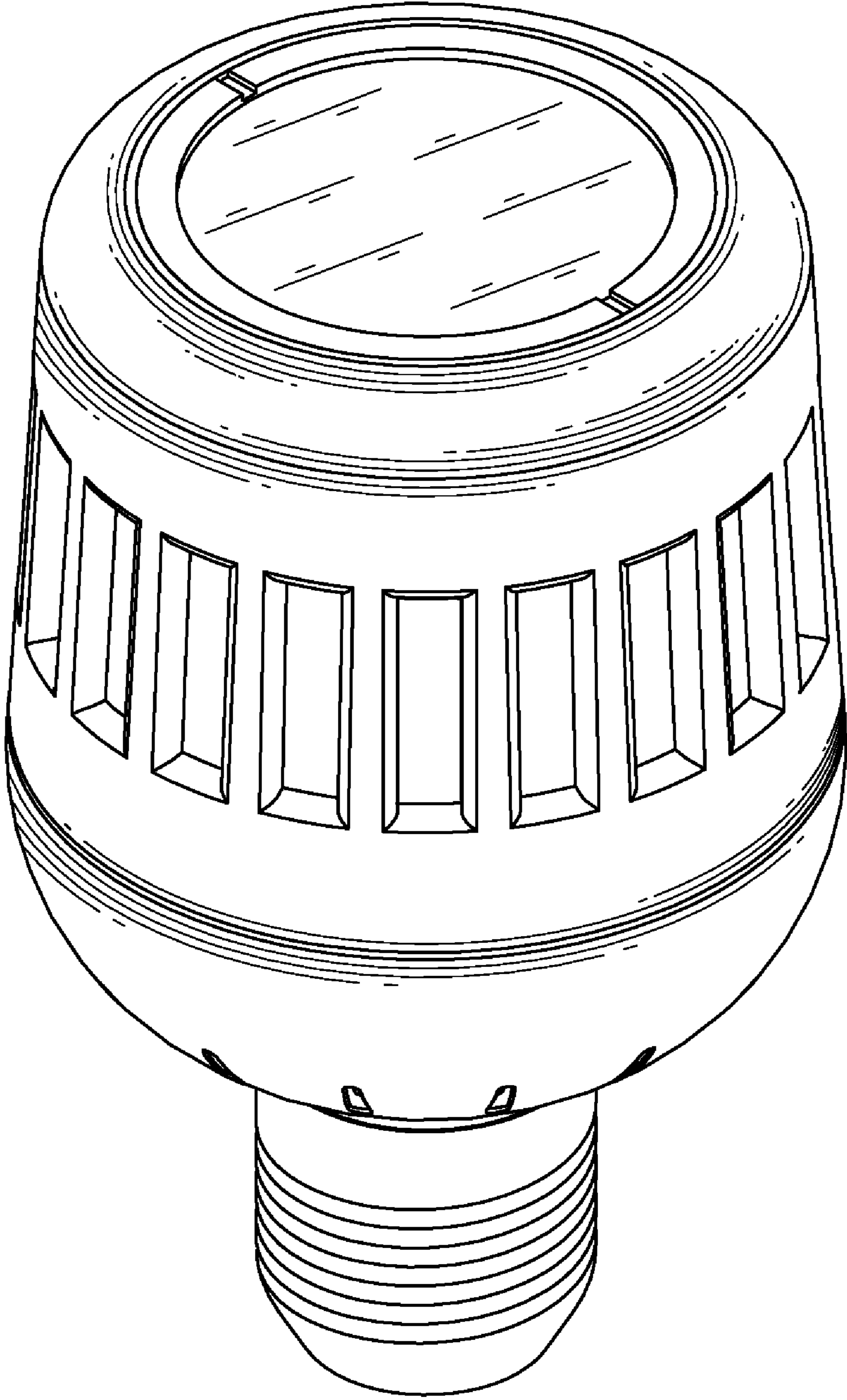


FIG. 1

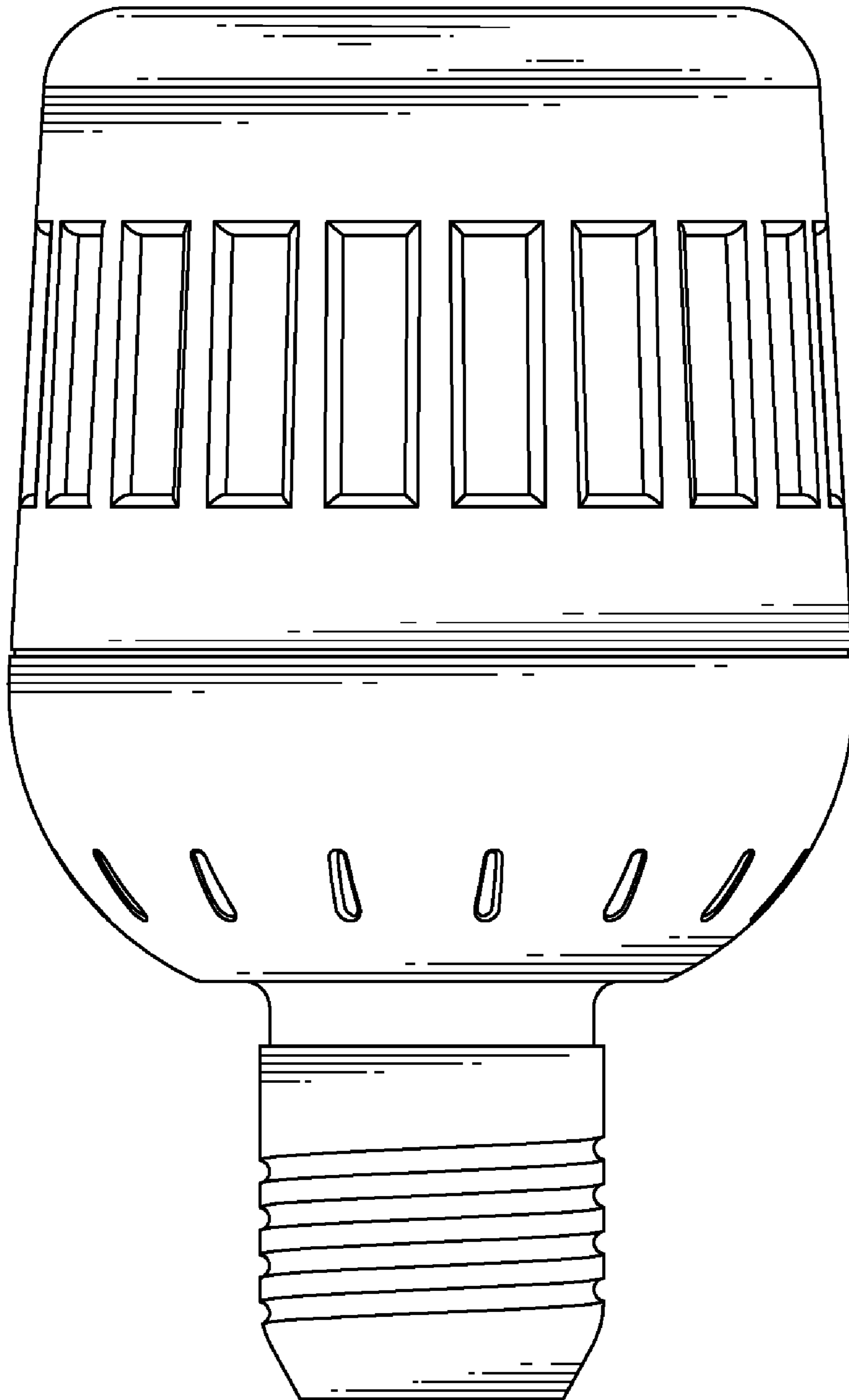


FIG. 2

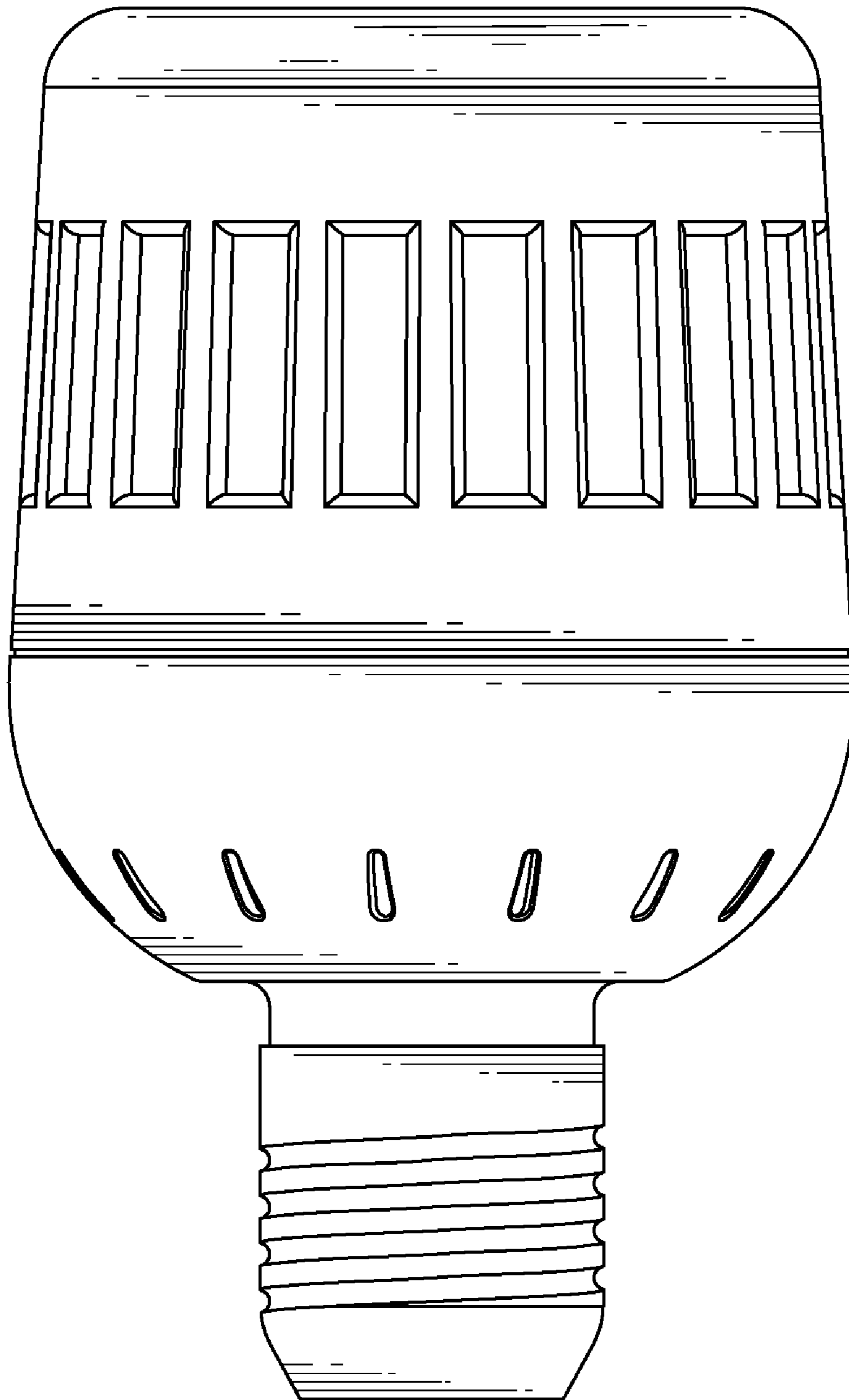


FIG. 3

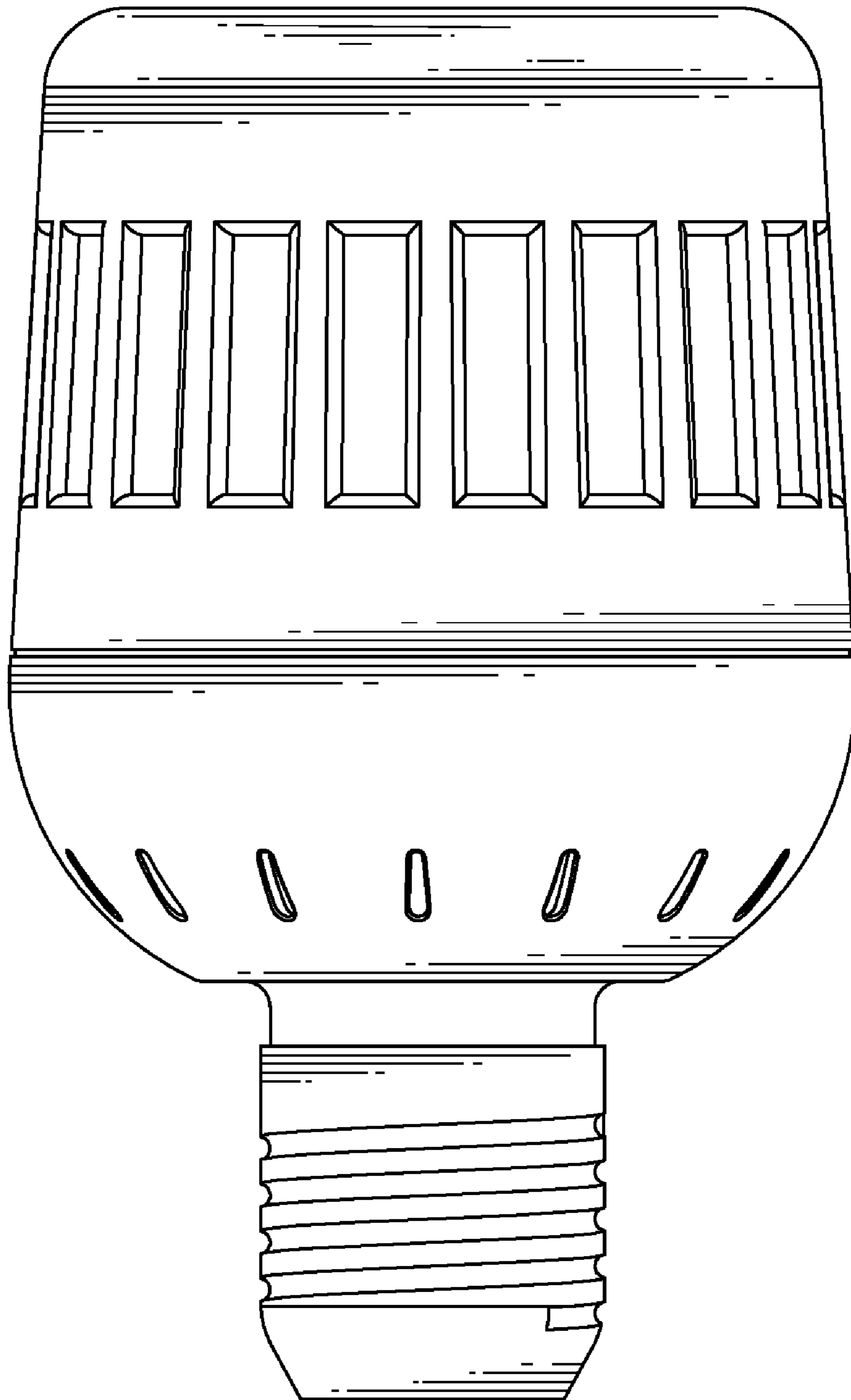


FIG. 4

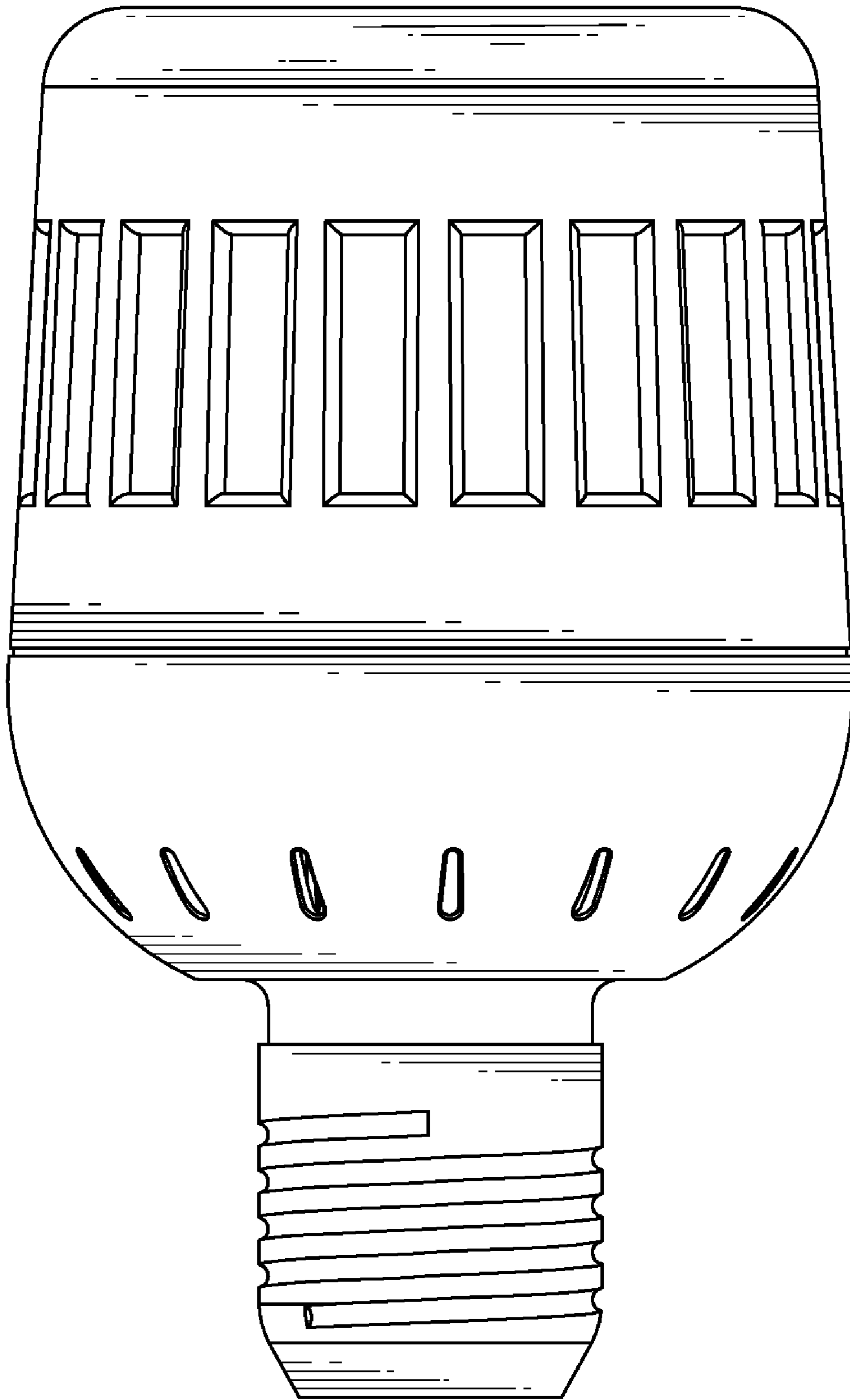


FIG. 5

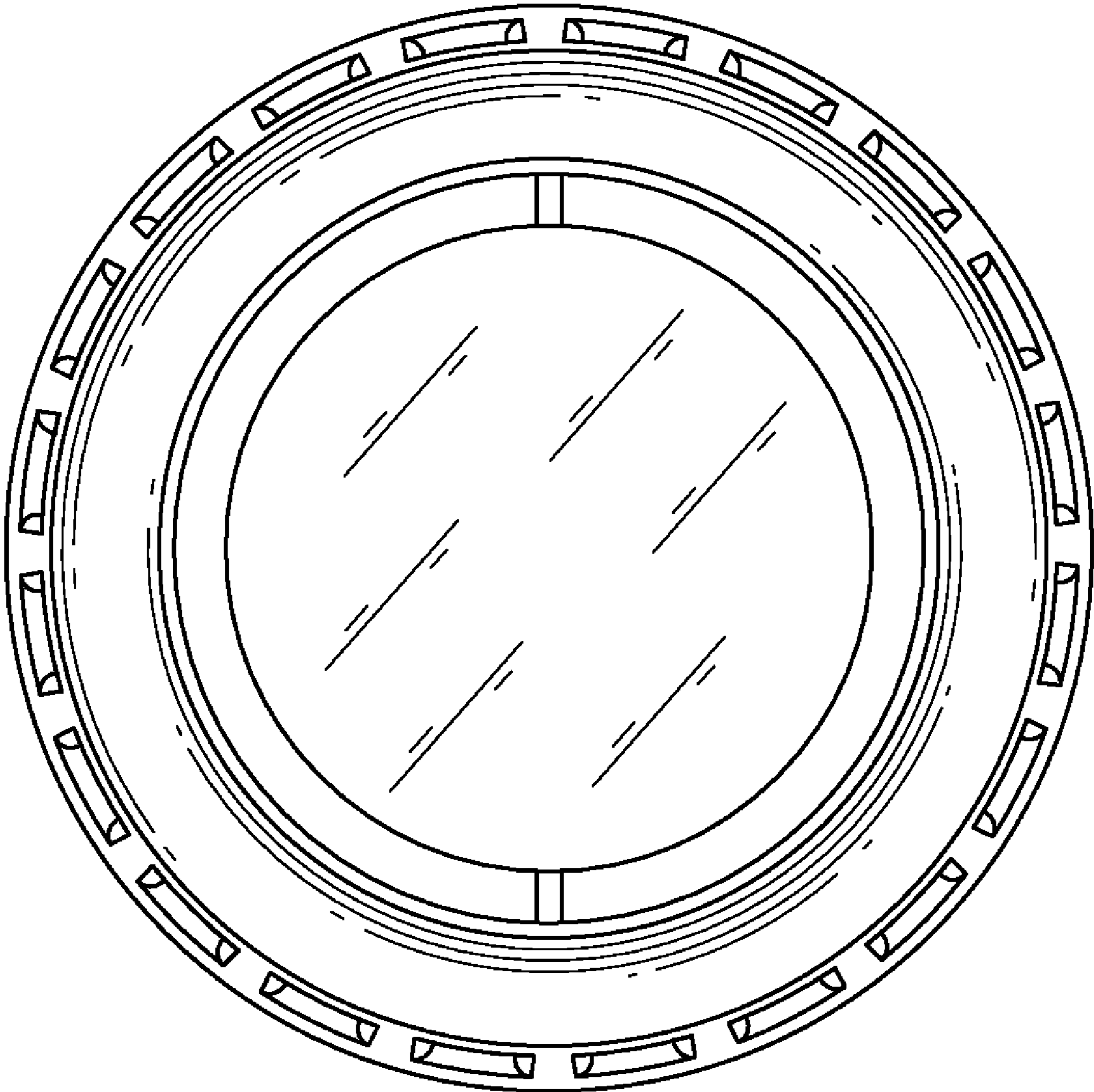


FIG. 6

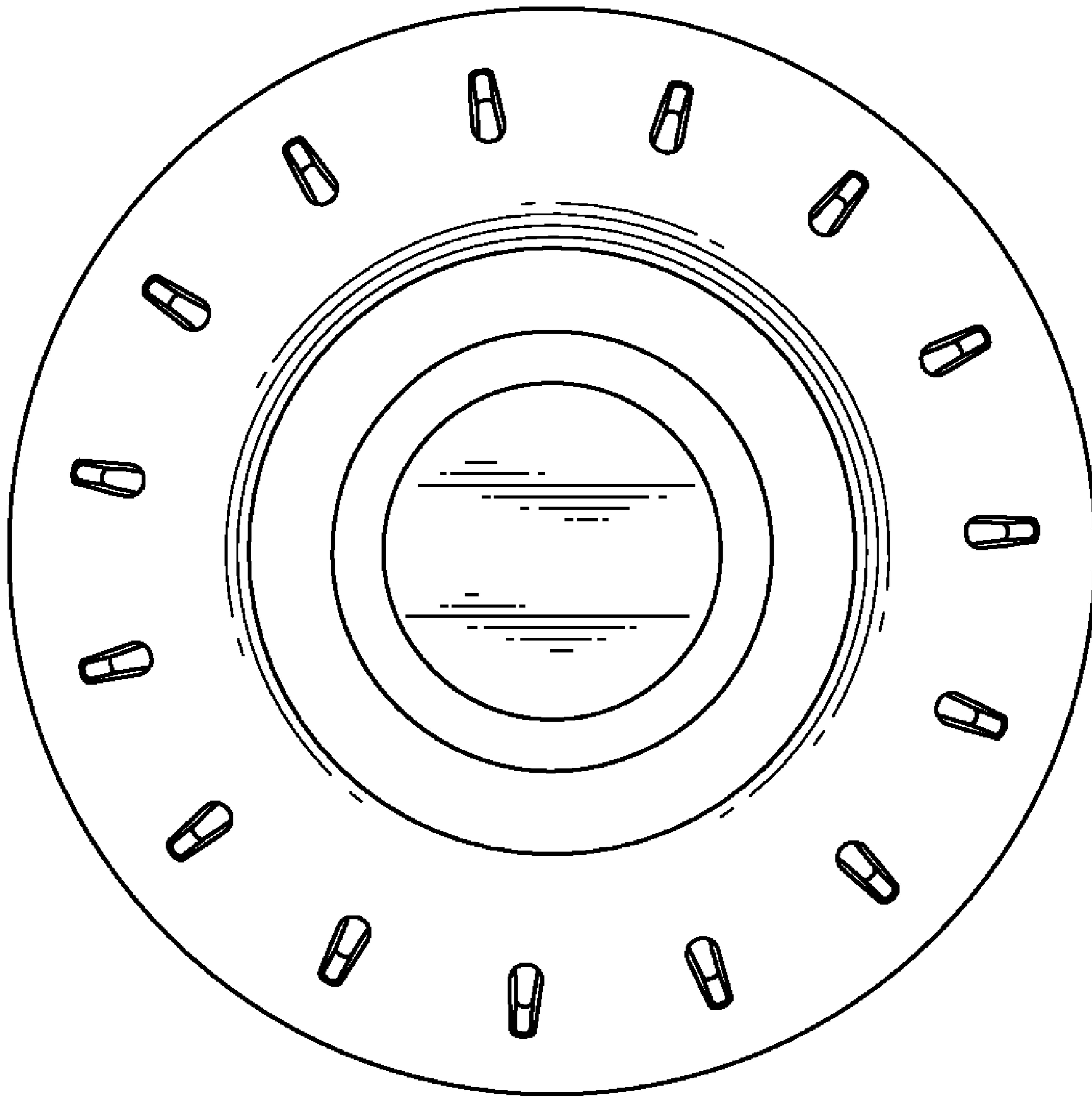


FIG. 7