



US00D586924S

(12) **United States Design Patent**
Malone

(10) **Patent No.:** **US D586,924 S**
(45) **Date of Patent:** **** Feb. 17, 2009**

(54) **CONSTRUCTION BLOCK**

(75) Inventor: **James Mark Malone**, Glenfield (NZ)

(73) Assignee: **Glenfield**, Auckland (NZ)

(**) Term: **14 Years**

(21) Appl. No.: **29/253,088**

(22) Filed: **Feb. 1, 2006**

(30) **Foreign Application Priority Data**

Aug. 2, 2005 (NZ) 406461

(51) **LOC (9) Cl.** **25-01**

(52) **U.S. Cl.** **D25/113**

(58) **Field of Classification Search** D25/102,
D25/112-119; D21/484-491, 499-502;
405/15-16, 33, 35, 284-286, 17; 404/29-42;
52/503, 504, 575, 596-605, 608, 612, 574
See application file for complete search history.

(56) **References Cited**

U.S. PATENT DOCUMENTS

123,983	A *	2/1872	Dickinson	52/608
1,255,573	A	2/1918	Atterbury		
1,379,648	A *	5/1921	Niebel	D25/113
1,498,271	A *	6/1924	Hatch	52/504
1,587,171	A *	6/1926	Morton	D25/116
2,940,295	A *	6/1960	Post	52/204.1
3,036,822	A *	5/1962	Andersen	432/118
3,458,052	A *	7/1969	Kann	D25/119
3,982,369	A *	9/1976	Keleske	52/309.12
4,172,344	A	10/1979	Childress, Jr. et al.		
4,698,949	A *	10/1987	Dietrich	52/415
5,741,339	A *	4/1998	DuMars et al.	52/599
5,775,837	A *	7/1998	Schneider	405/17
5,865,005	A *	2/1999	Cataldo	52/598

D427,325	S *	6/2000	Ginzel	D25/119
6,889,479	B2 *	5/2005	Thorpe	D25/114
2001/0054268	A1 *	12/2001	Coleman	52/604
2003/0208981	A1 *	11/2003	Price et al.	52/596
2006/0191231	A1 *	8/2006	Ness et al.	52/596

FOREIGN PATENT DOCUMENTS

AU	35087/01	A1	10/2001
DE	24 35 490	A1	2/1976
EP	0 229 740	A2	7/1987
GB	669750	A	4/1952
WO	WO 96/35027	A1	11/1996

* cited by examiner

Primary Examiner—Louis S Zarfaz

Assistant Examiner—Anhdao Doan

(74) *Attorney, Agent, or Firm*—Charles S. Knobloch; Gorson T. Arnold; Arnold & Knobloch, L.L.P.

(57) **CLAIM**

The ornamental design for a construction block, as shown and described.

DESCRIPTION

FIG. 1 is a plan view of a first construction block (same from below).

FIG. 2 is a perspective view of the first construction block.

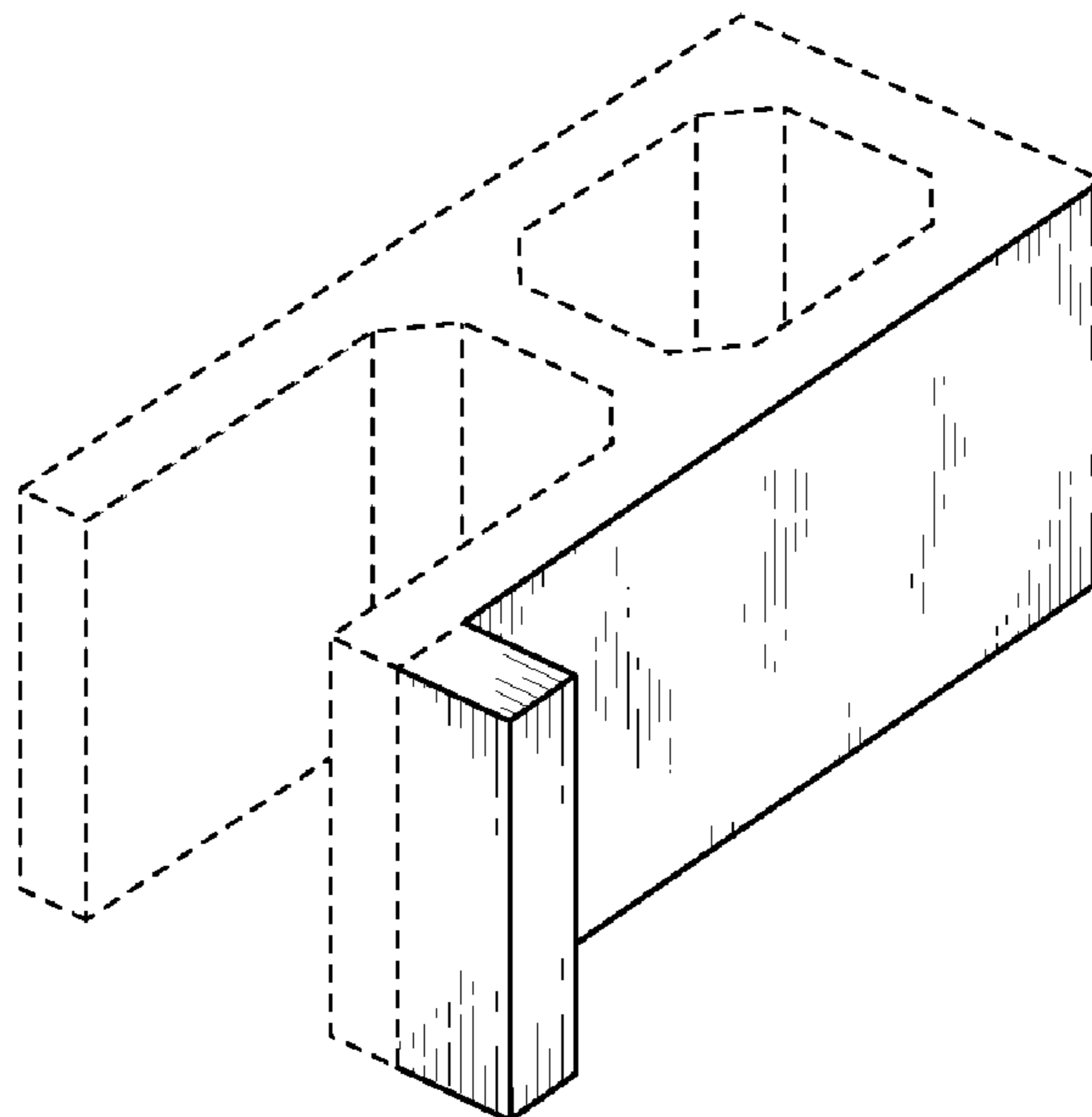
FIG. 3 is a front elevation of the first construction block.

FIG. 4 is a rear elevation of the first construction block.

FIG. 5 is an end elevation of the first construction block; and, FIG. 6 is an end elevation (other end) of the first construction block.

The broken lines in the Figures are for illustrative purposes only and form no part of the claimed design.

1 Claim, 1 Drawing Sheet



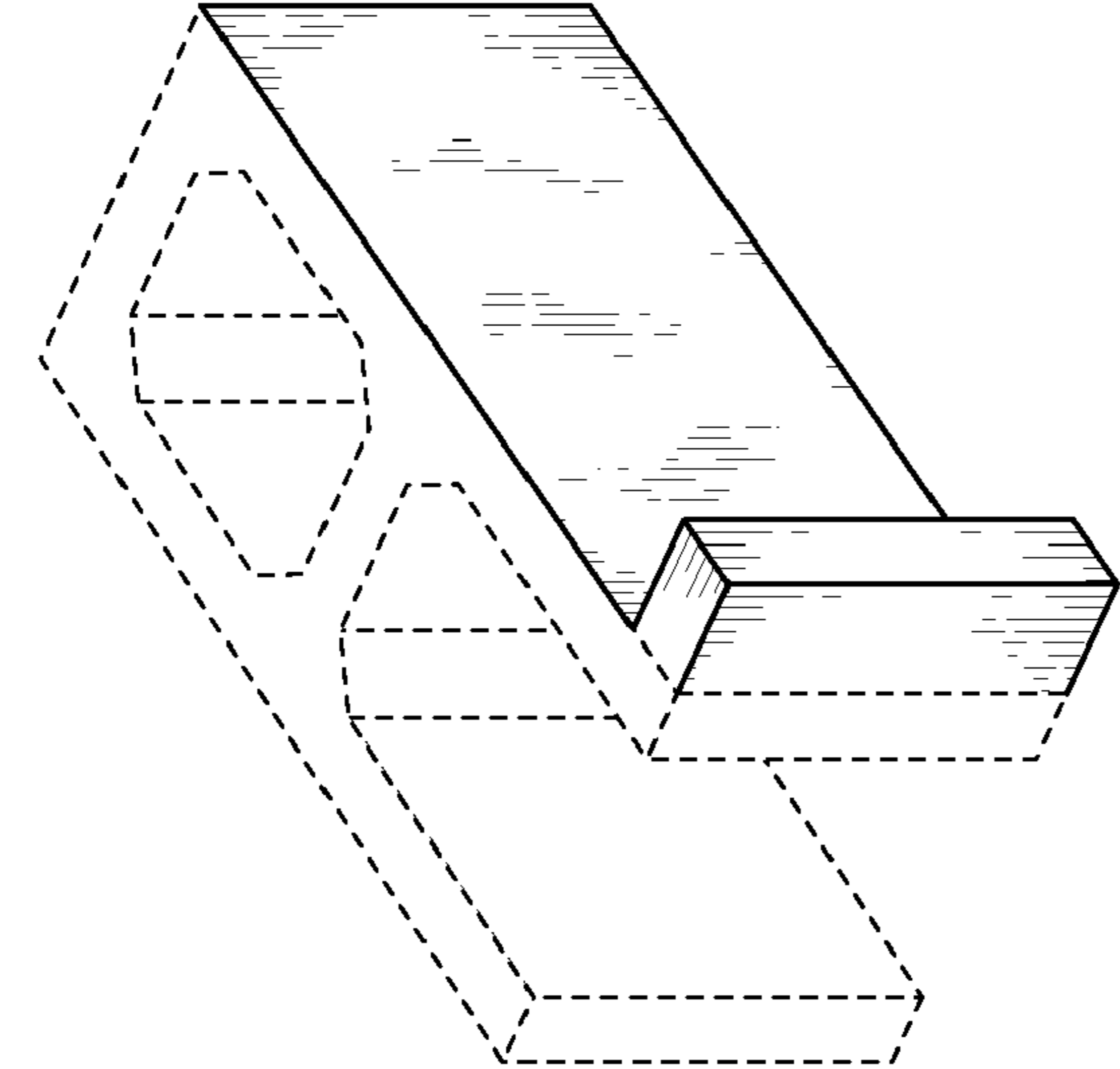


FIG. 1

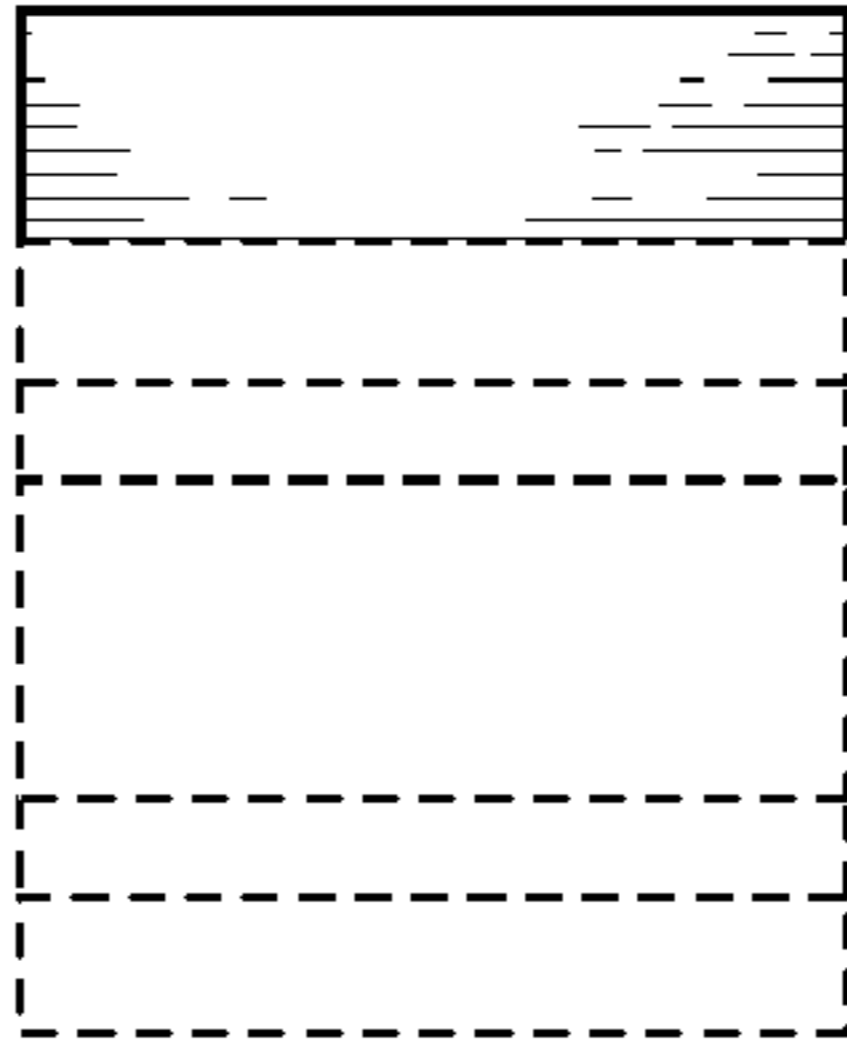


FIG. 2

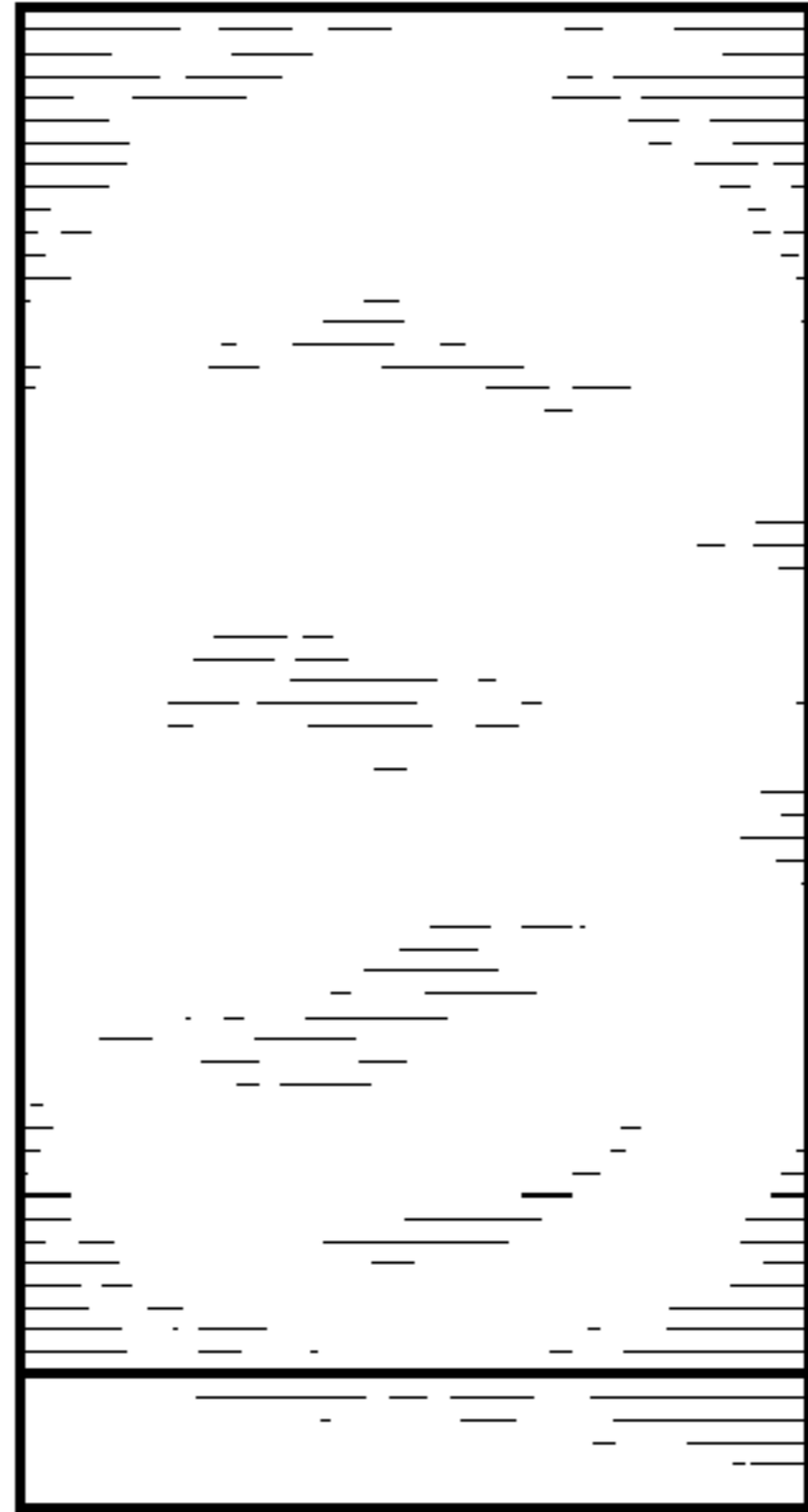


FIG. 3

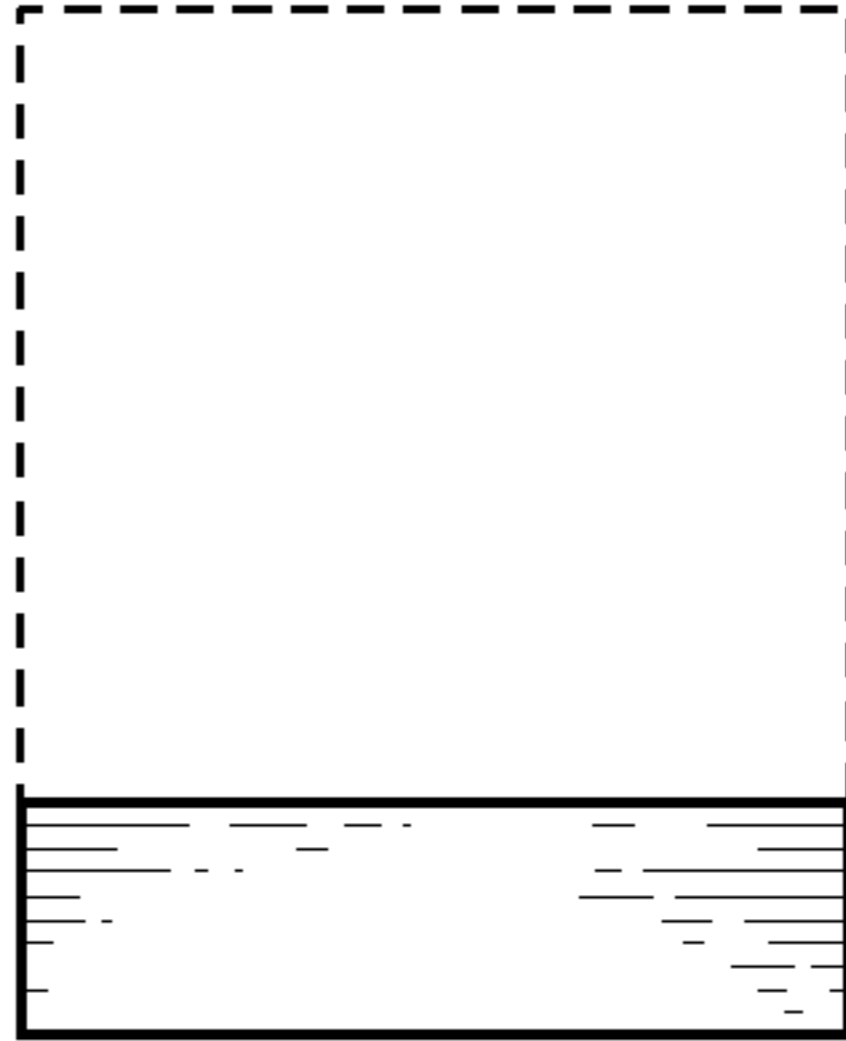


FIG. 4

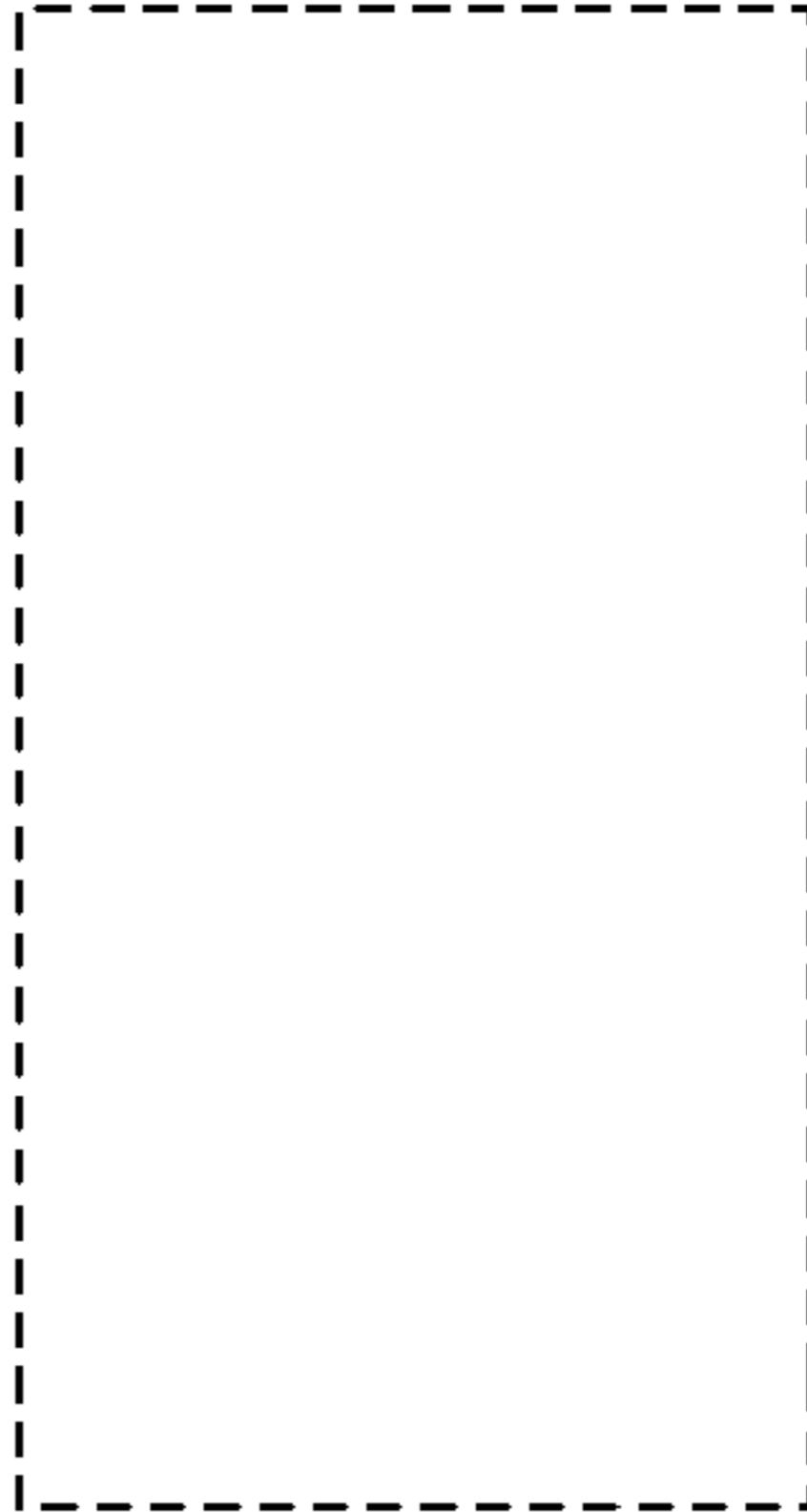


FIG. 5

FIG. 6