



US00D586923S

(12) **United States Design Patent**
Eveleth

(10) **Patent No.:** **US D586,923 S**

(45) **Date of Patent:** **** Feb. 17, 2009**

(54) **FOLDING STOOL WITH STEP**

4,359,243 A 11/1982 Crutcher
4,383,488 A 5/1983 Macho et al.

(76) Inventor: **Bradley R. Eveleth**, 24021 Stoneridge Rd., Rapid City, SD (US) 57702

(Continued)

(**) Term: **14 Years**

FOREIGN PATENT DOCUMENTS

(21) Appl. No.: **29/304,040**

CA 114529 3/2007

(22) Filed: **Feb. 22, 2008**

(Continued)

Related U.S. Application Data

OTHER PUBLICATIONS

(63) Continuation-in-part of application No. 11/681,430, filed on Mar. 2, 2007, which is a continuation-in-part of application No. 29/236,509, filed on Aug. 16, 2005, now Pat. No. Des. 566,856.

U.S. Appl. No. 29/236,508, filed Aug. 16, 2005, Eveleth.

(Continued)

Primary Examiner—Doris Clark

(74) *Attorney, Agent, or Firm*—Sheridan Ross P.C.

(51) **LOC (9) Cl.** **25-04**

(57) **CLAIM**

(52) **U.S. Cl.** **D25/65**

The ornamental design for a folding stool with step, as shown and described.

(58) **Field of Classification Search** D25/64, D25/65; 182/156, 152, 163, 165, 33

See application file for complete search history.

DESCRIPTION

(56) **References Cited**

FIG. 1 is a front perspective view of a folding stool with step showing my new design in an open position;

U.S. PATENT DOCUMENTS

FIG. 2 is a right elevation view of the invention illustrated in FIG. 1;

318,298 A	5/1885	Roberts
409,677 A	8/1889	Forman
703,690 A	7/1902	Young
900,552 A	10/1908	Kade
1,263,717 A	4/1918	Stone
1,811,674 A	6/1931	Longley
1,970,196 A	8/1934	Rodemeyer
D156,324 S	12/1949	Dastugue
D169,461 S	4/1953	Tilley
D170,311 S	9/1953	Doherty
3,077,282 A	2/1963	Eggers
3,120,076 A	2/1964	Zuch
3,188,158 A	6/1965	Sanchez
3,232,252 A	2/1966	Nelson
3,673,636 A	7/1972	Ruiz
4,043,277 A	8/1977	Wallace
4,122,638 A	10/1978	O'Brian et al.
4,253,268 A	3/1981	Mayr
D265,026 S	6/1982	Macho et al.

FIG. 3 is a left elevation view of the invention illustrated in FIG. 1;

FIG. 4 is a top plan view of the invention illustrated in FIG. 1;

FIG. 5 is rear elevation view of the invention illustrated in FIG. 1;

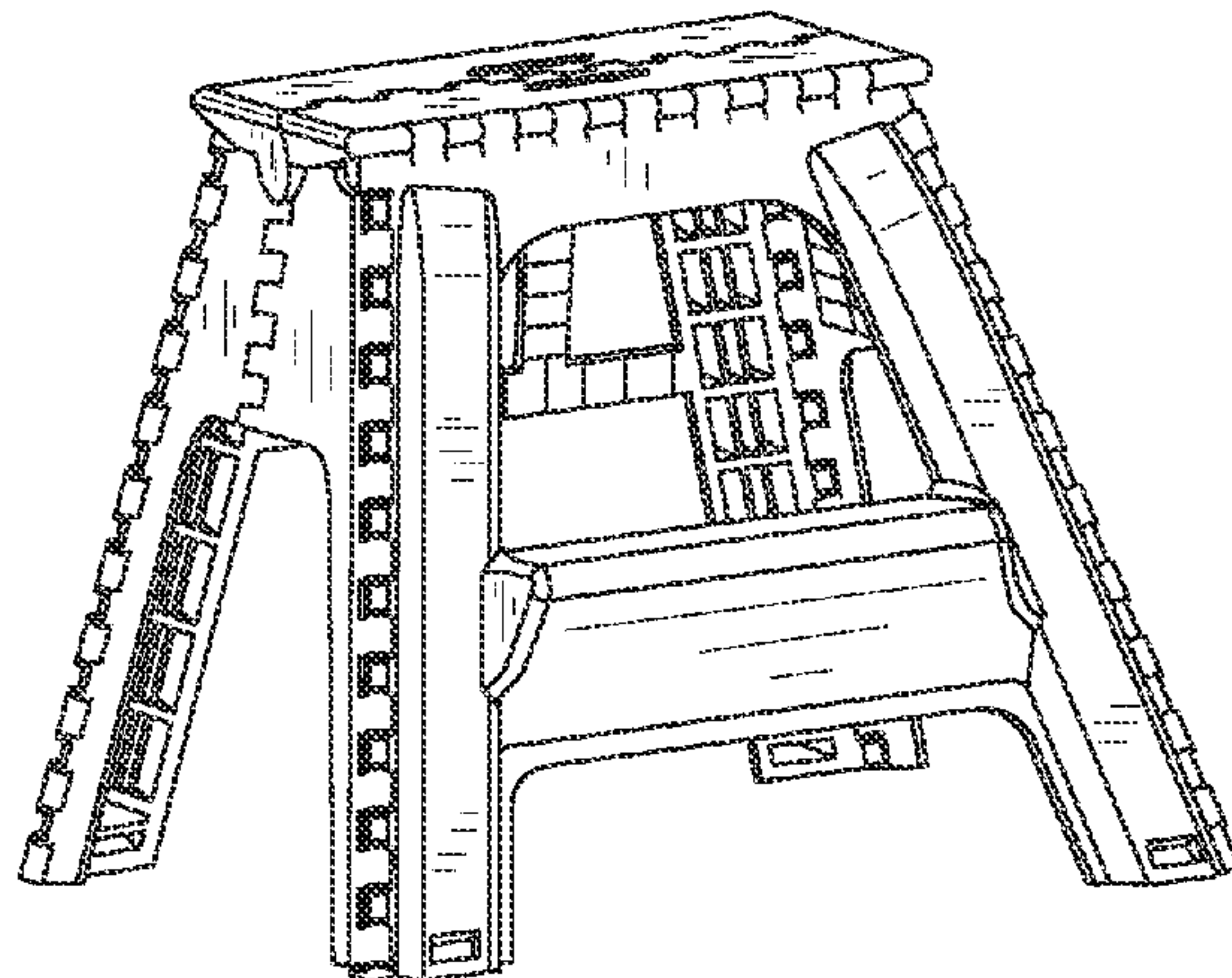
FIG. 6 is a front elevation view of the invention illustrated in FIG. 1;

FIG. 7 is a bottom plan view of the invention illustrated in FIG. 1;

FIG. 8 is a left elevation view of the invention illustrated in FIG. 1, and shown in a folded position; and,

FIG. 9 is a front elevation view of the invention illustrated in FIG. 1, and shown in a folded position.

1 Claim, 4 Drawing Sheets



US D586,923 S

Page 2

U.S. PATENT DOCUMENTS

4,389,946 A 6/1983 Hwang
4,437,413 A 3/1984 O'Brian et al.
4,533,179 A 8/1985 Nichols et al.
4,630,861 A 12/1986 Henschel
4,648,658 A 3/1987 Calco
4,807,329 A 2/1989 Mossalgue
4,809,619 A 3/1989 Piretti
4,951,996 A 8/1990 Shannon
5,361,456 A 11/1994 Newby, Sr.
5,382,081 A 1/1995 Henry
5,697,669 A 12/1997 Yemini
5,697,675 A 12/1997 DeWitt et al.
5,845,366 A 12/1998 Kuroda
5,940,934 A 8/1999 Turner
D414,566 S * 9/1999 Gibson et al. D25/65
6,089,522 A 7/2000 Haslem et al.
D441,094 S * 4/2001 Hawe D25/65

6,257,153 B1 7/2001 Portugal
D447,572 S * 9/2001 Rosko D25/65
D448,091 S 9/2001 Eveleth
D449,386 S 10/2001 Cheris et al.
D460,566 S 7/2002 Henschel et al.
6,568,506 B1 5/2003 Donnalley
D501,683 S 2/2005 Hernandez et al.
2008/0078309 A1 4/2008 Eveleth

FOREIGN PATENT DOCUMENTS

GB 397413 8/1933
GB 397954 9/1933
GB 597003 1/1948

OTHER PUBLICATIONS

U.S. Appl. No. 29/304,424, filed Feb. 29, 2008, Eveleth.
Photos of Turtle Stool, dated Aug. 14, 2001, pp. 1-3.

* cited by examiner

Fig. 1

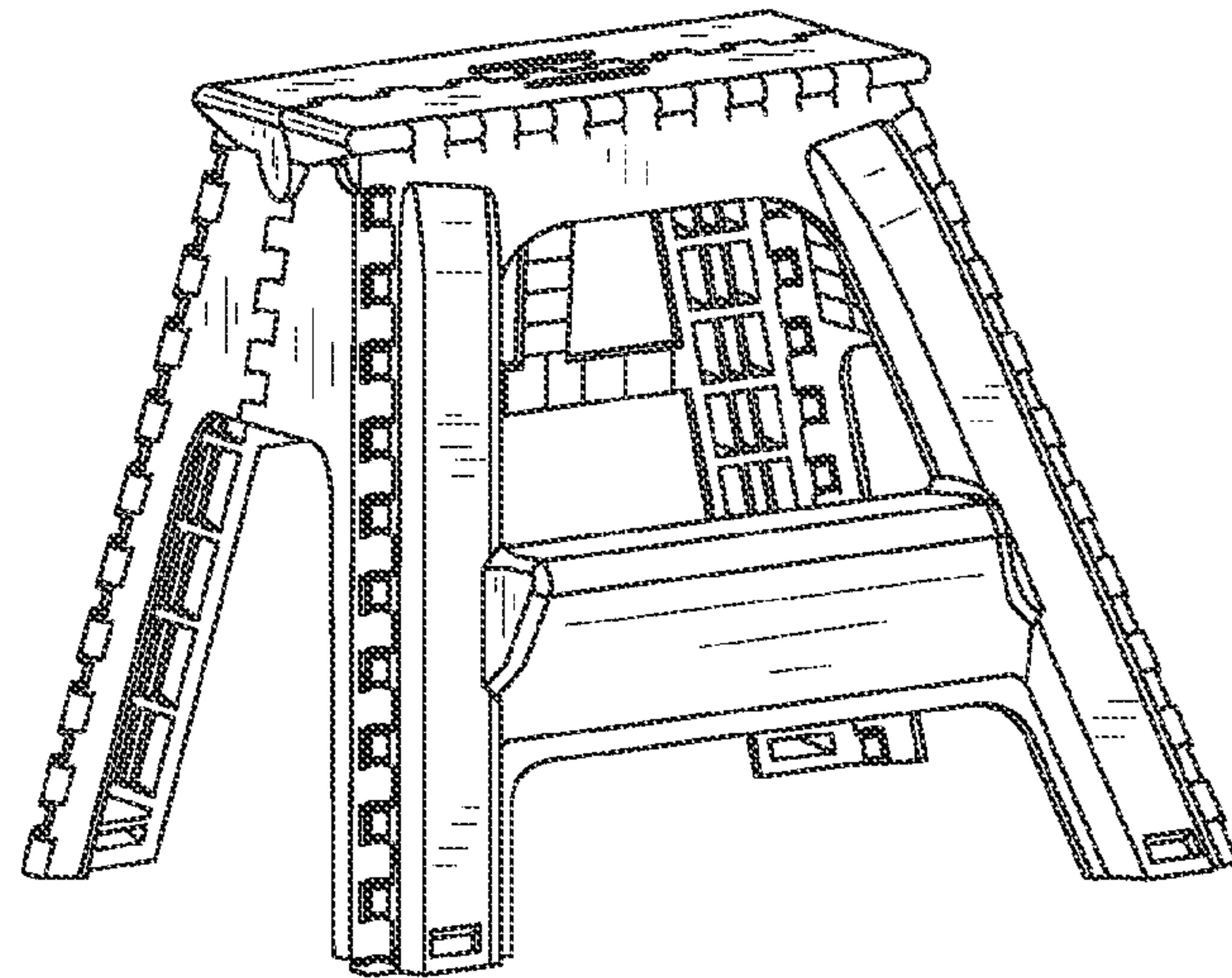


Fig. 2

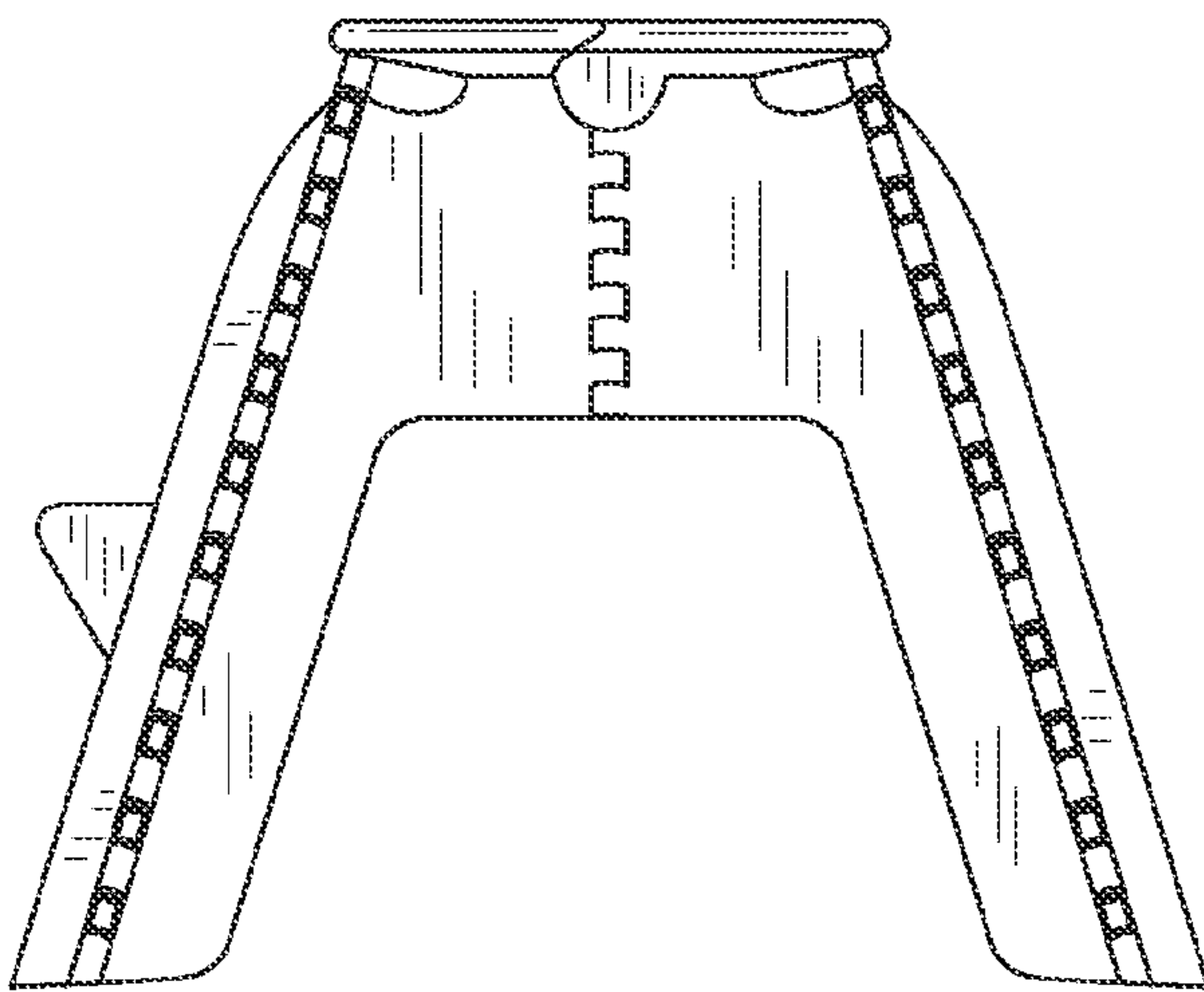


Fig. 3

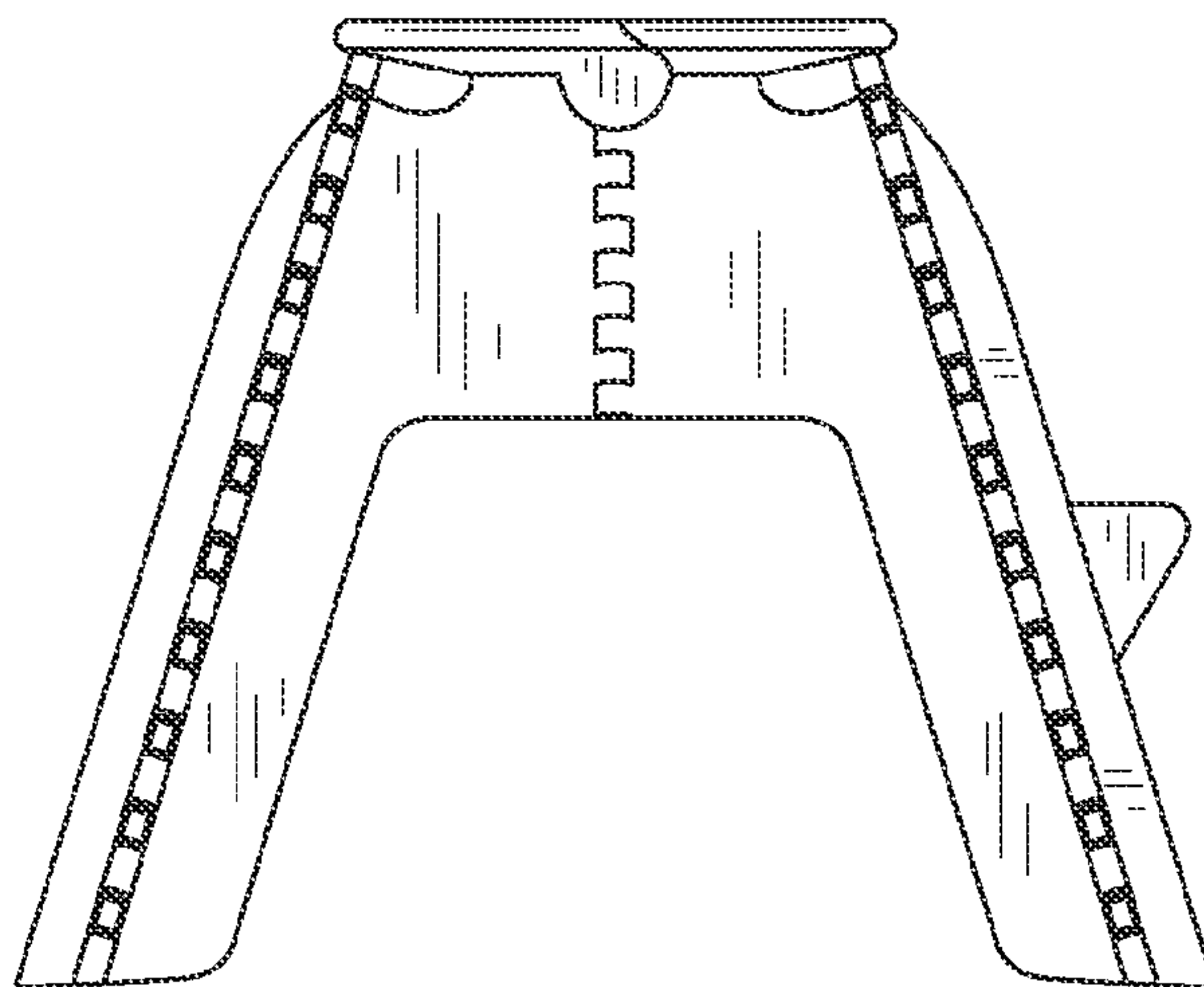


Fig. 4

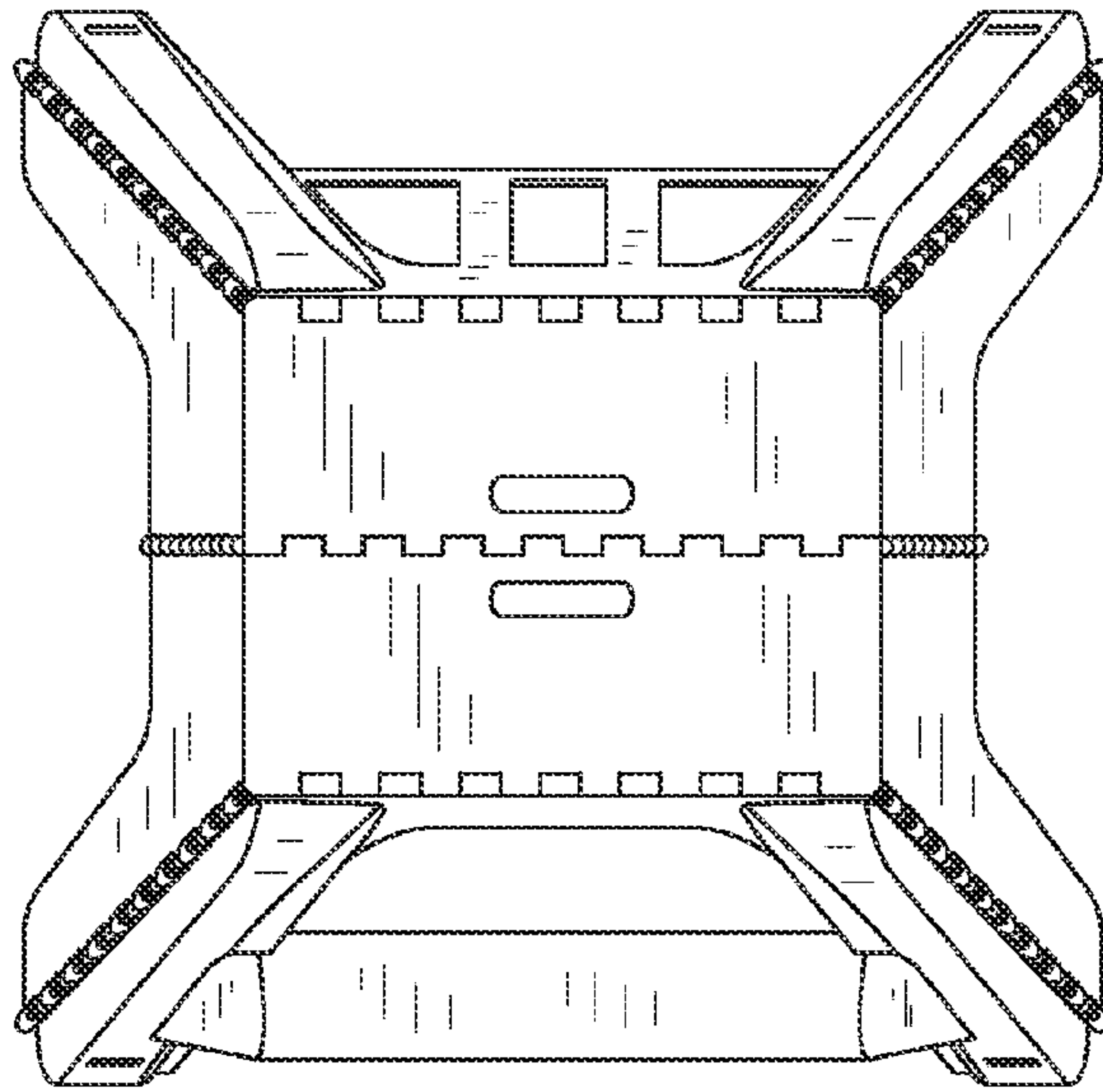


Fig. 5

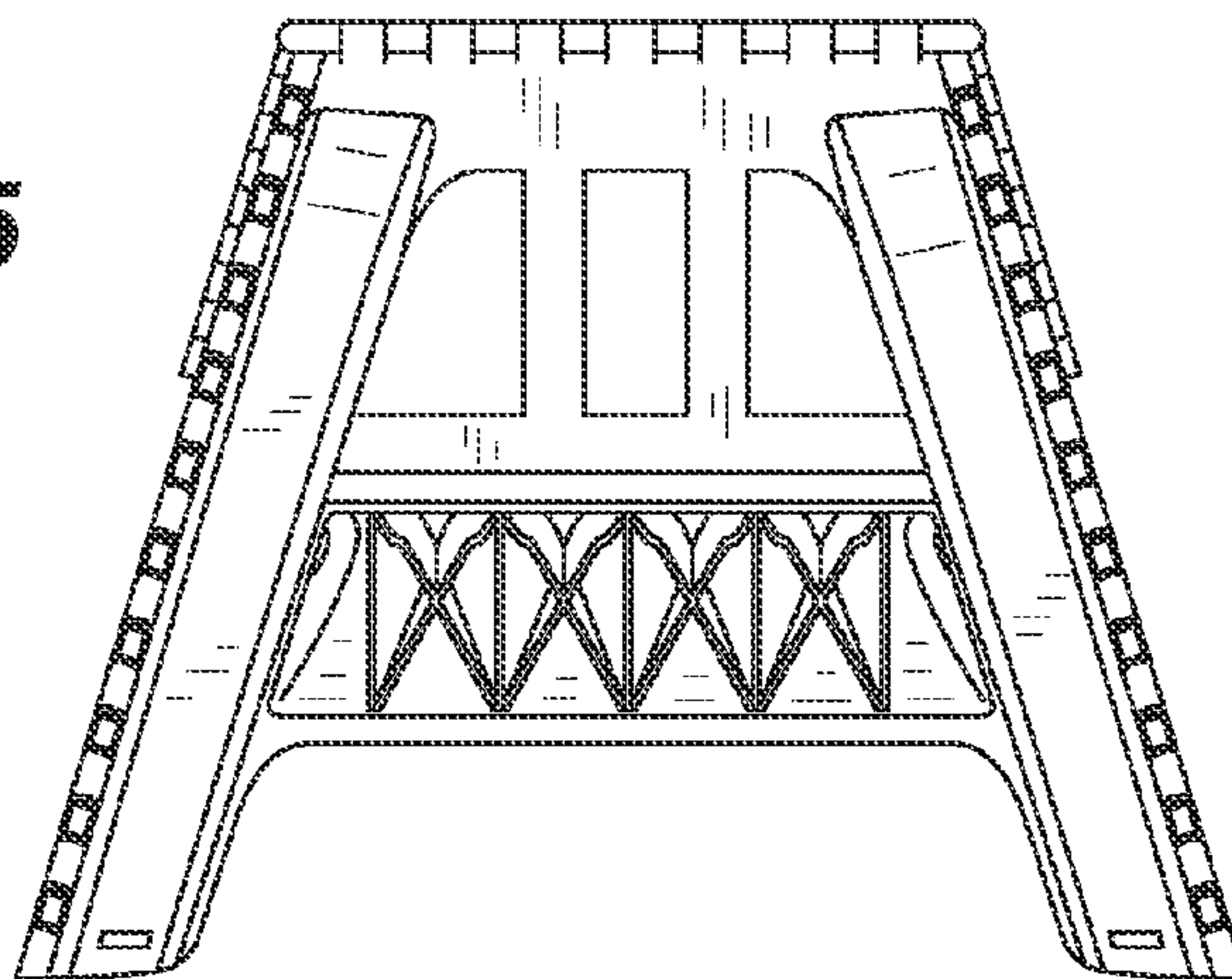
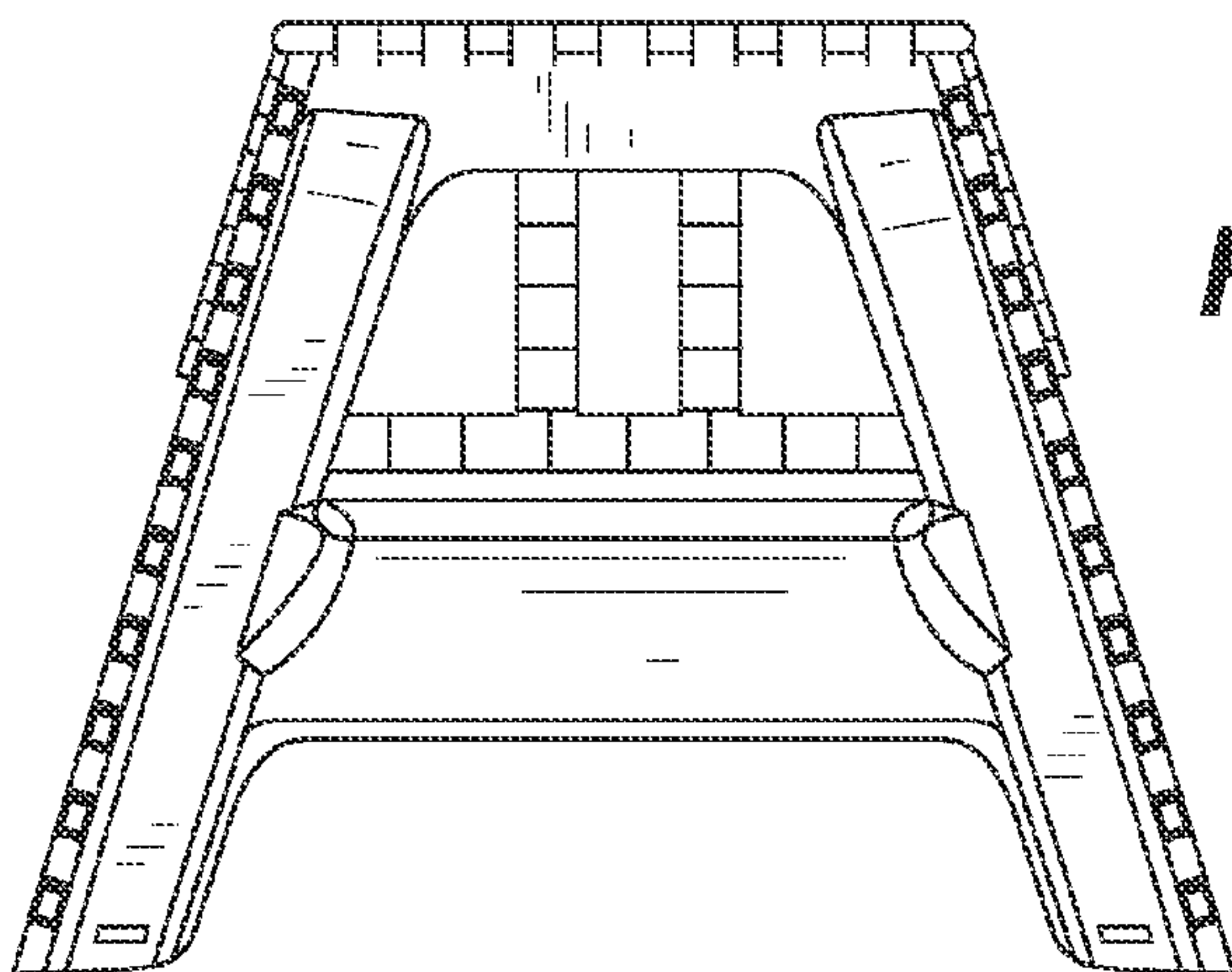


Fig. 6



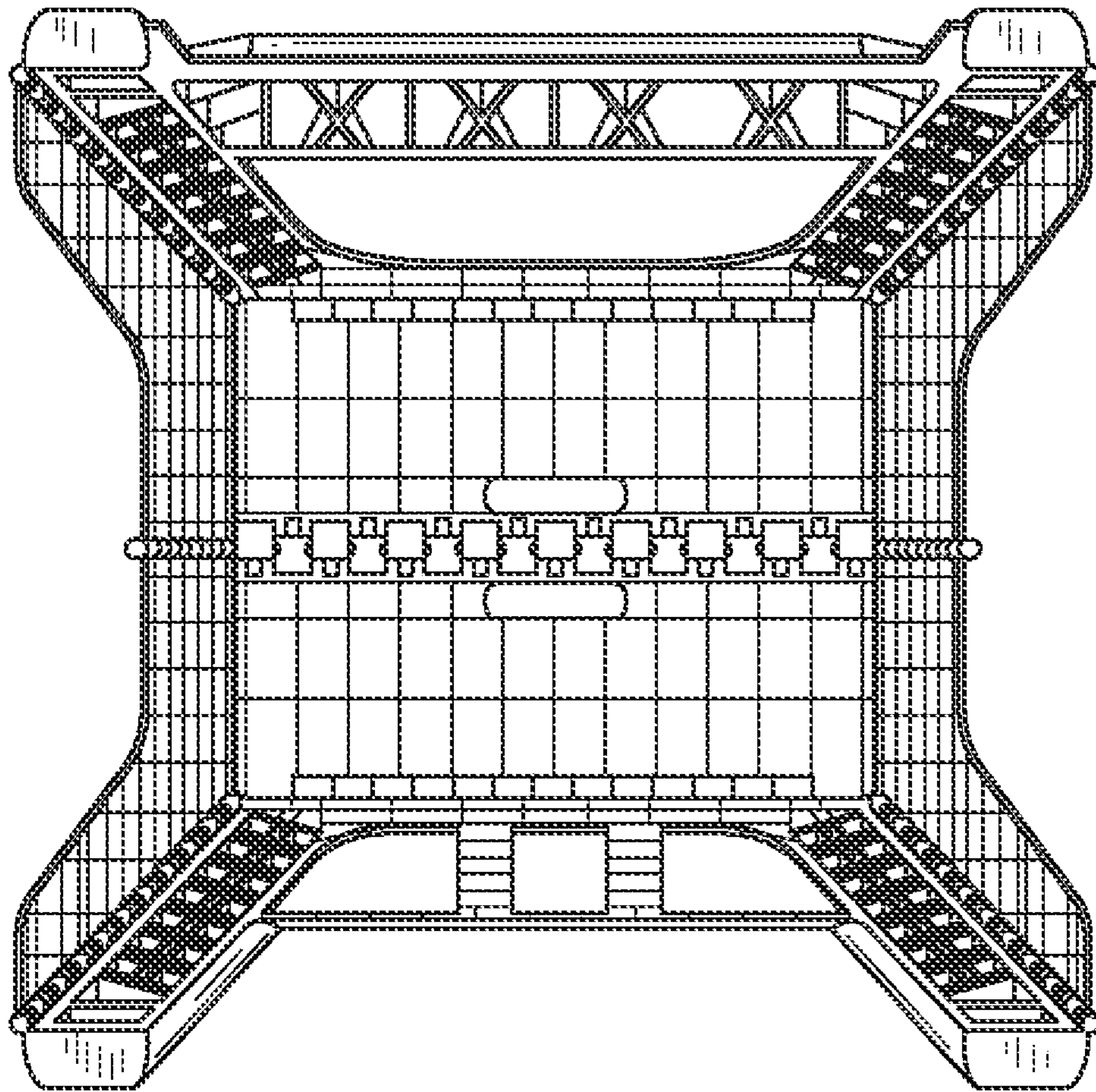


Fig. 7

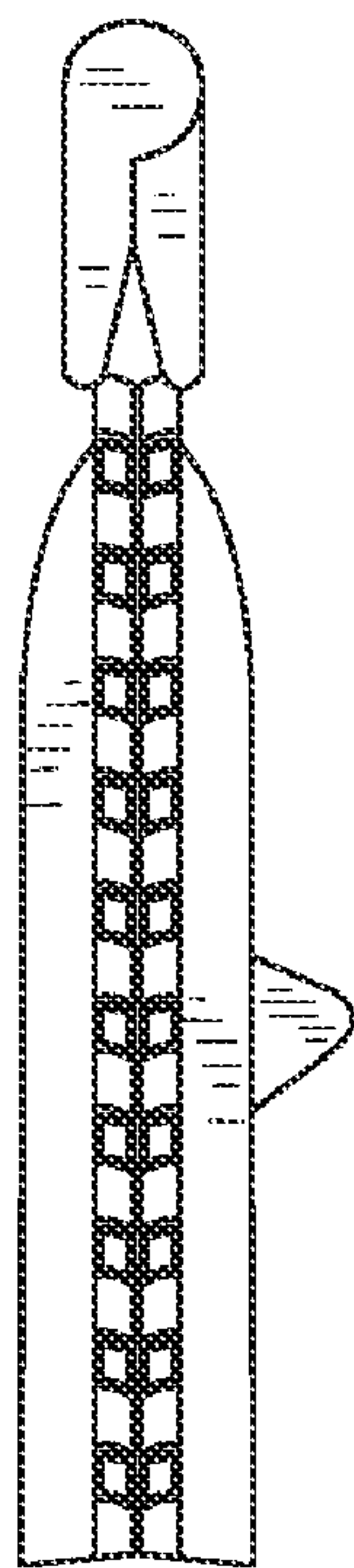


Fig. 8

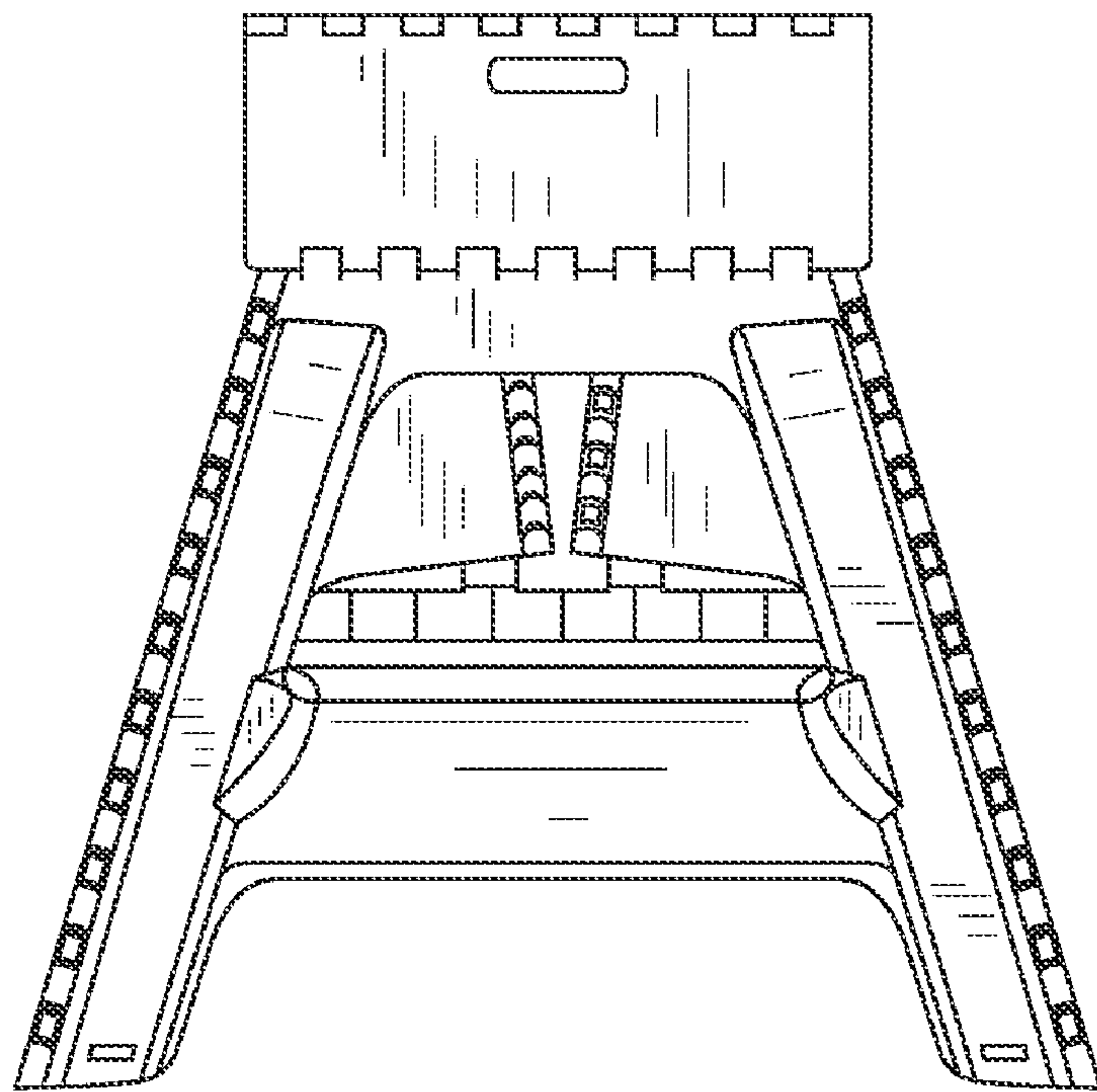


Fig. 9