



US00D586922S

(12) **United States Design Patent**  
**Szczerba**

(10) **Patent No.:** **US D586,922 S**  
(45) **Date of Patent:** **\*\* Feb. 17, 2009**

(54) **CANOPY**

(76) Inventor: **Wieslaw Szczerba**, Osterbrook 3, 20537  
Hamburg (DE)

(\*\*) Term: **14 Years**

(21) Appl. No.: **29/298,356**

(22) Filed: **Dec. 4, 2007**

(30) **Foreign Application Priority Data**

Jun. 7, 2007 (EM) ..... 000736384

(51) **LOC (9) Cl.** ..... **25-02**

(52) **U.S. Cl.** ..... **D25/56**

(58) **Field of Classification Search** ..... D25/56;  
135/907, 87; 52/3, 4, 5, 23, 79.6; 160/19,  
160/29, 38, 39

See application file for complete search history.

(56) **References Cited**

**U.S. PATENT DOCUMENTS**

2,762,089 A \* 9/1956 Auble ..... 52/11

D229,685 S \* 12/1973 Hildebrand ..... D25/56  
5,313,666 A \* 5/1994 Bax et al. .... 2/9  
6,425,214 B1 \* 7/2002 Boffeli et al. .... 52/173.2  
6,634,850 B2 \* 10/2003 Christensen ..... 414/607

\* cited by examiner

*Primary Examiner*—Doris Clark

(74) *Attorney, Agent, or Firm*—Roberts & Roberts, LLP

(57) **CLAIM**

The ornamental design for a canopy, as shown and described.

**DESCRIPTION**

FIG. 1 is a bottom perspective view of a canopy showing my new design.

FIG. 2 is a bottom plan view thereof.

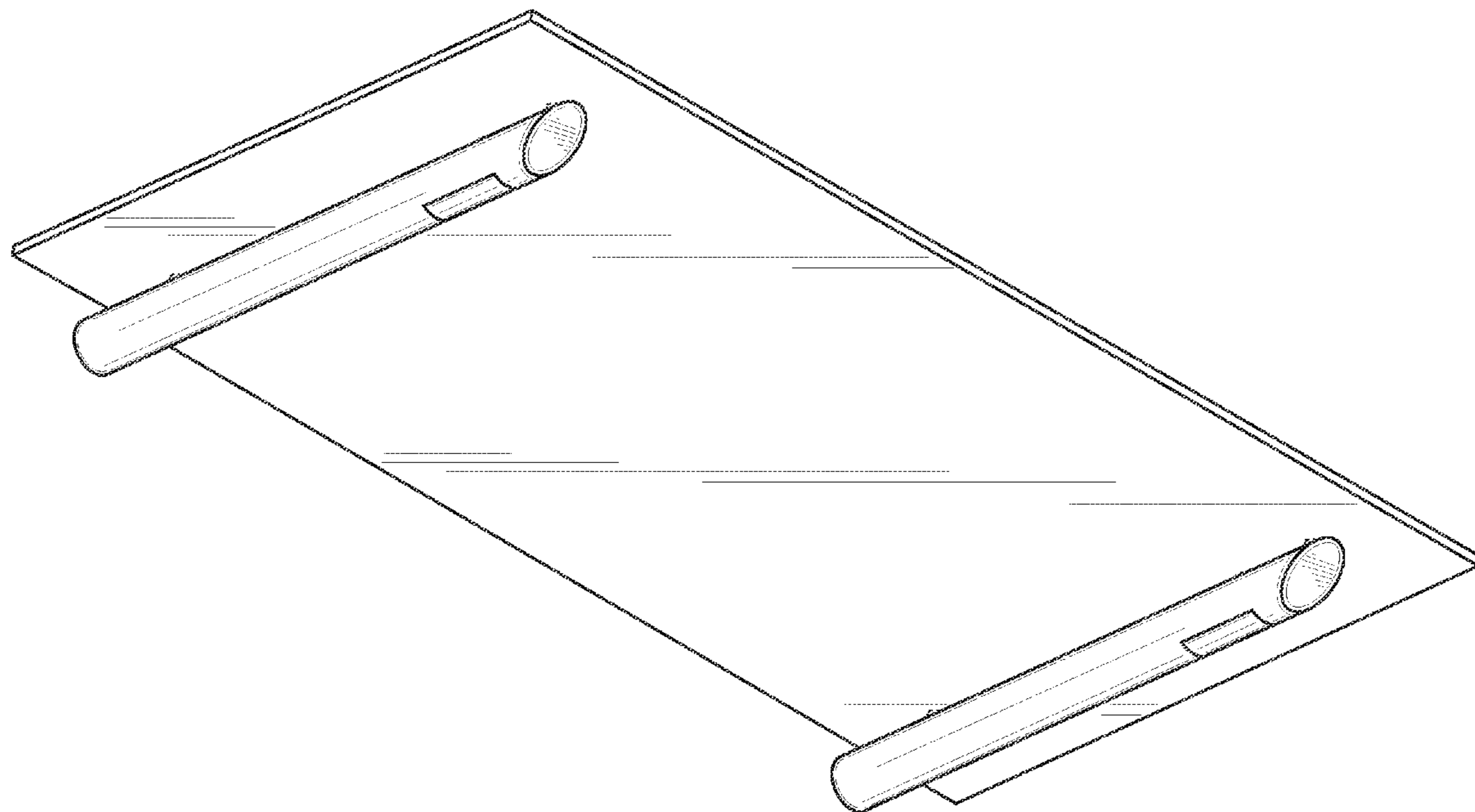
FIG. 3 is a front elevational view thereof.

FIG. 4 is a left side elevational view thereof having a right side being a mirror image thereof.

FIG. 5 is a top plan view thereof; and,

FIG. 6 is a rear elevational view thereof.

**1 Claim, 5 Drawing Sheets**



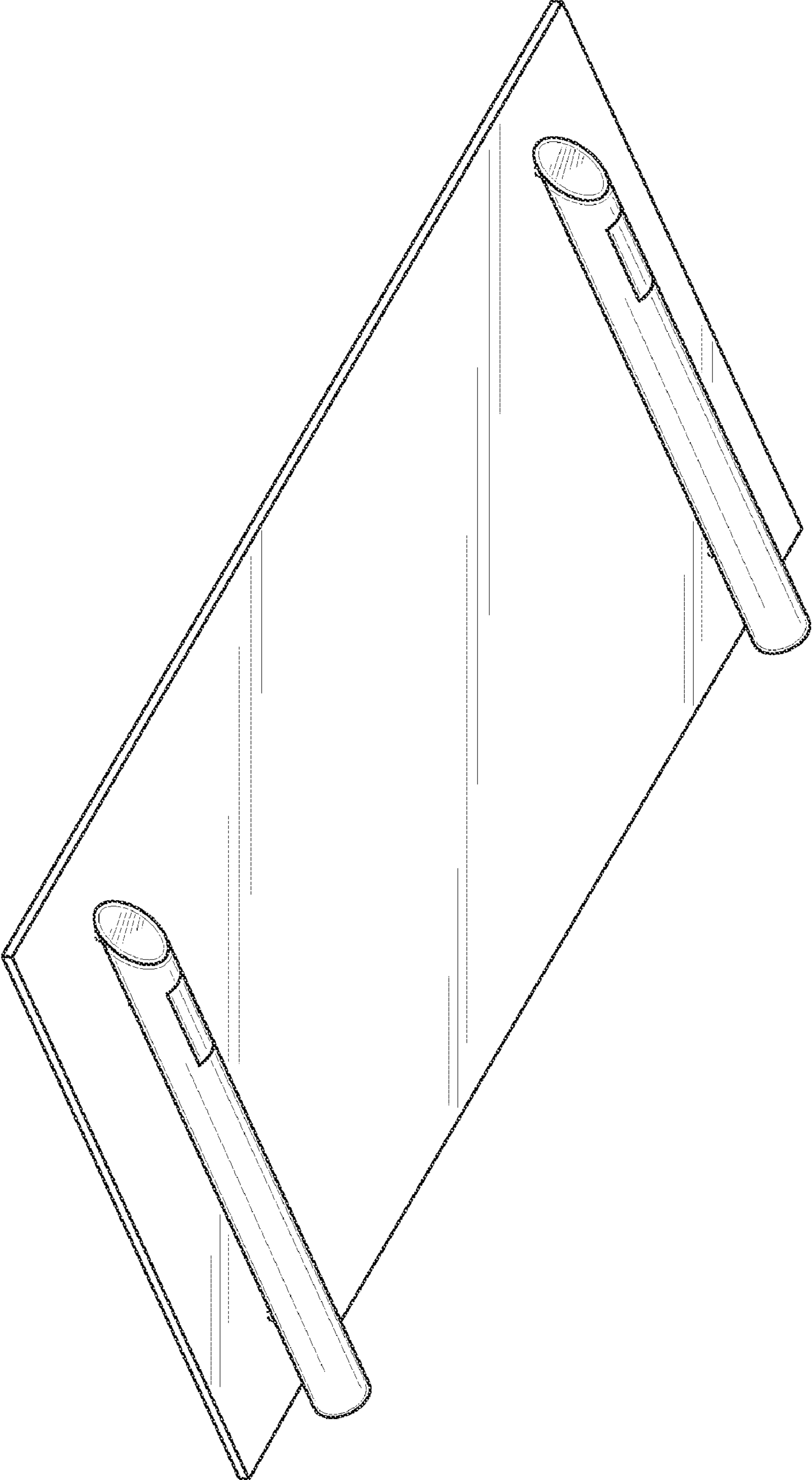


FIG. 1

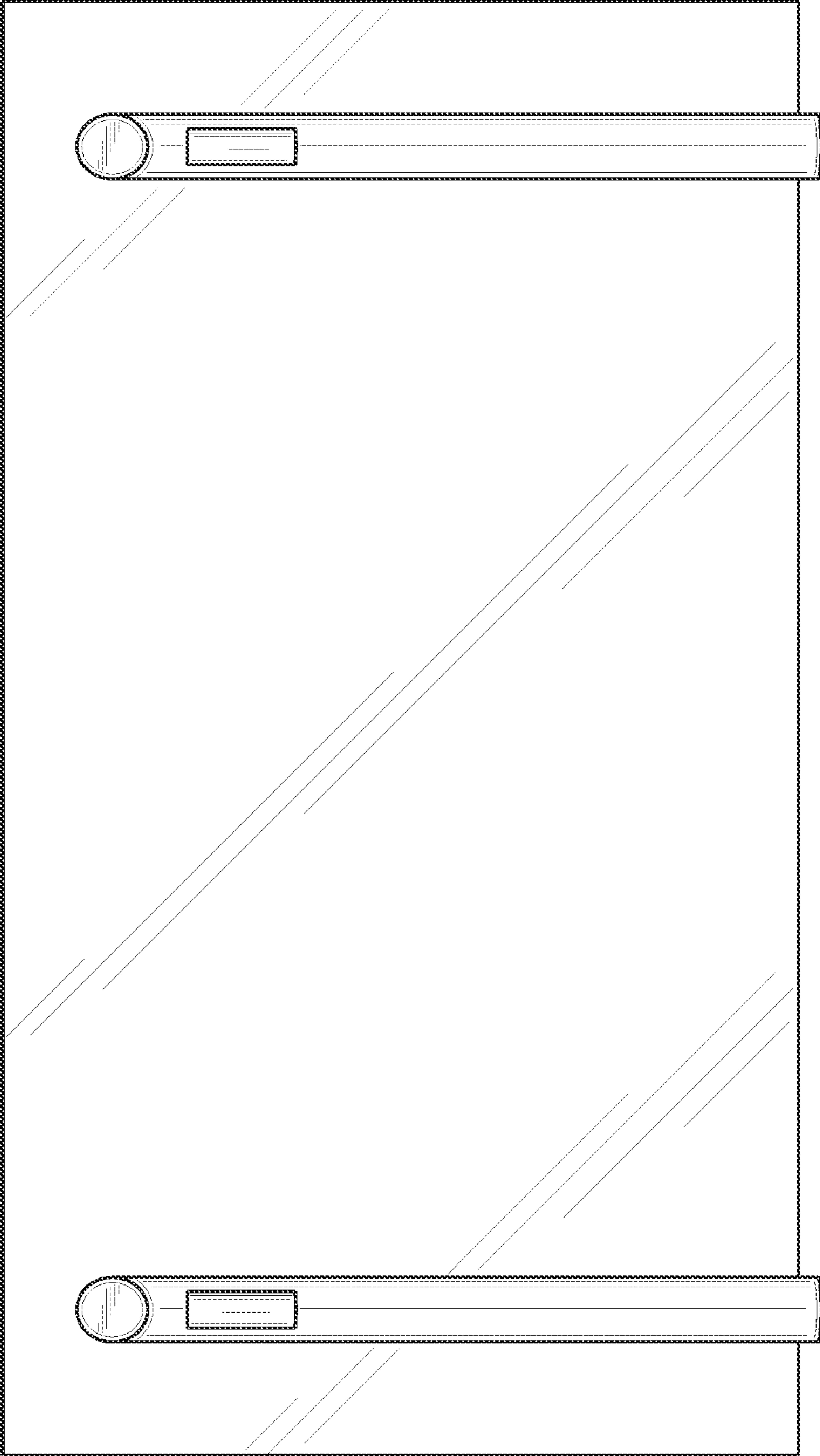


FIG. 2

FIG. 3

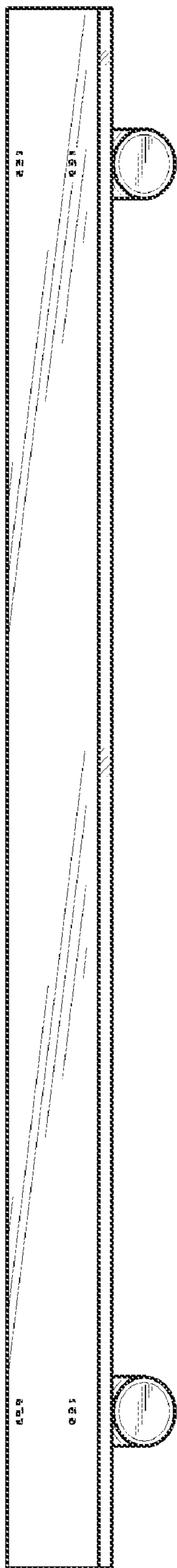
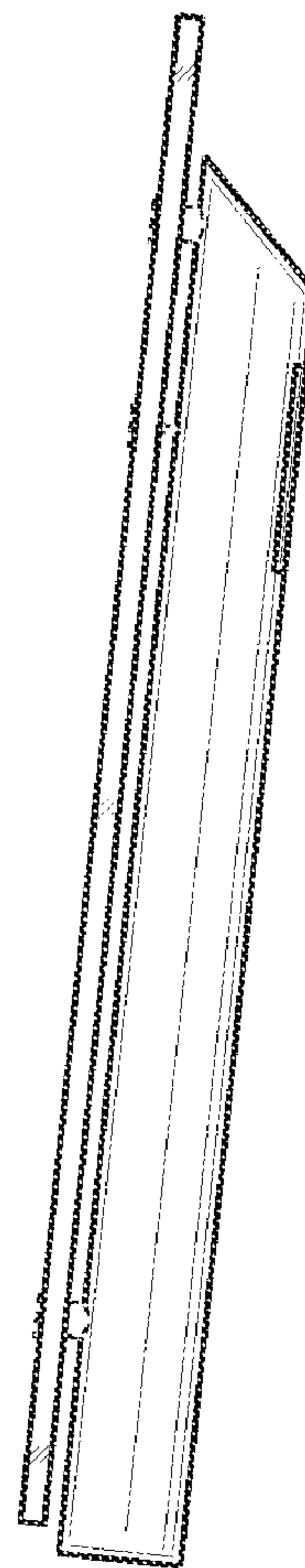


FIG. 4



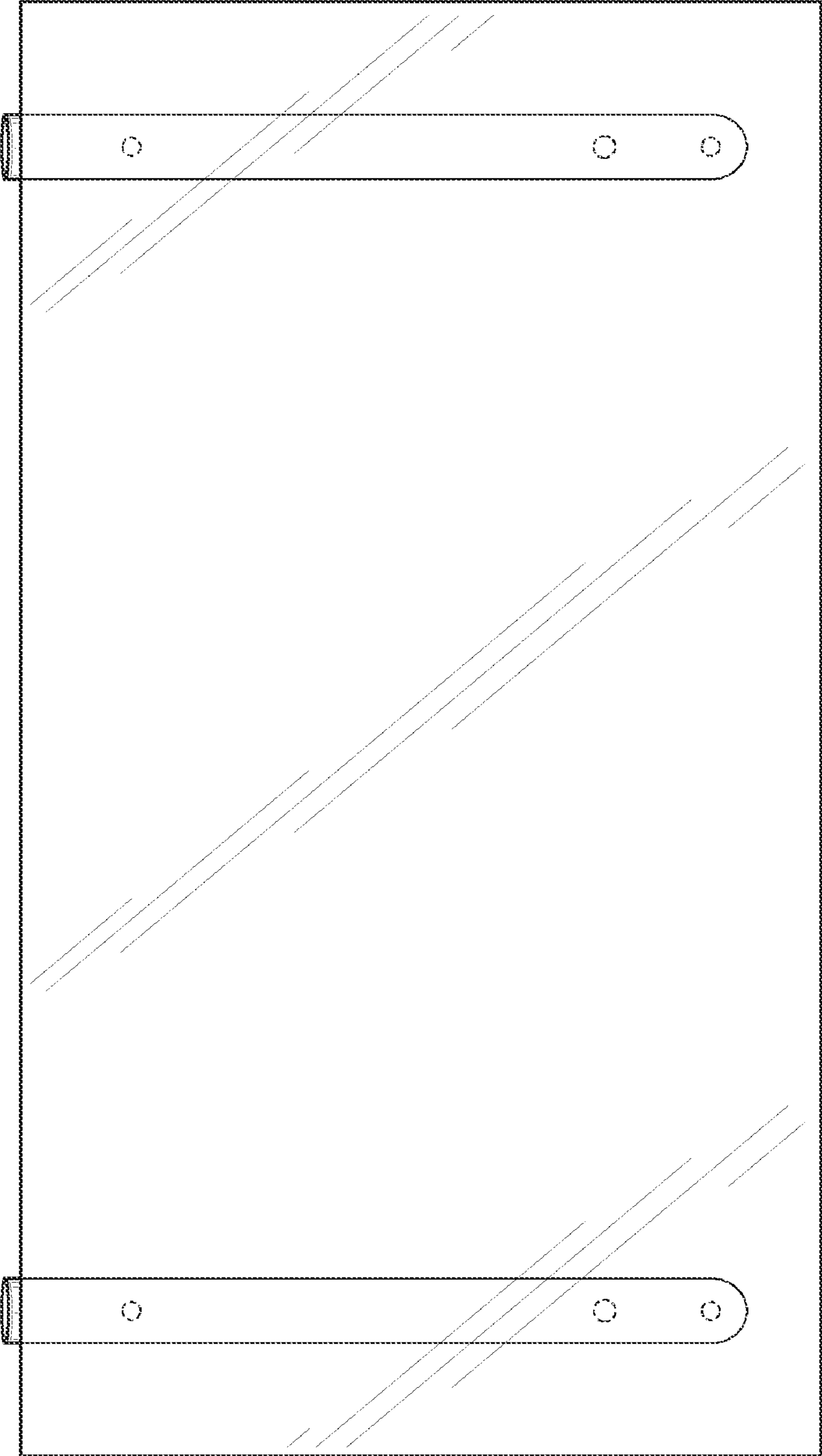


FIG. 5

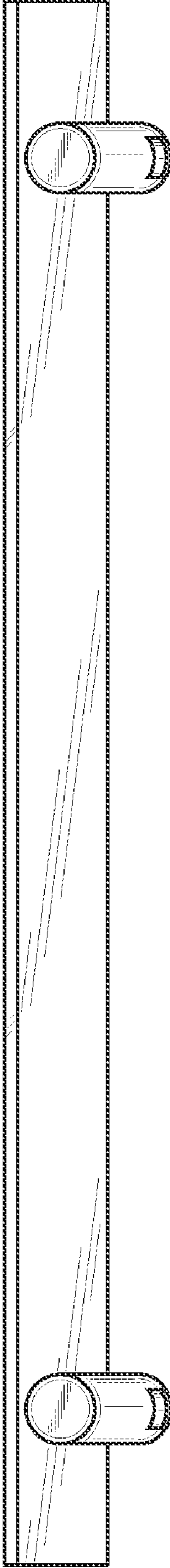


FIG. 6