



US00D586920S

(12) **United States Design Patent**  
**Oas**

(10) **Patent No.:** **US D586,920 S**

(45) **Date of Patent:** **\*\* Feb. 17, 2009**

(54) **ELASTIC GRIP STRESS REDUCER IN THE FORM OF A GOLF CLUB**

(76) Inventor: **Daniel Oas**, 6250 N. Irwindale Ave., Irwindale, CA (US) 91702

(\*\*) Term: **14 Years**

(21) Appl. No.: **29/273,670**

(22) Filed: **Mar. 7, 2007**

(51) **LOC (9) Cl.** ..... **24-02**

(52) **U.S. Cl.** ..... **D24/200; D21/733**

(58) **Field of Classification Search** ..... D21/735, D21/747-751, 756; 473/300-303, 324-331, 473/350; D24/200, 211, 214, 215  
See application file for complete search history.

(56) **References Cited**

**U.S. PATENT DOCUMENTS**

- 2,836,420 A \* 5/1958 Lamkin et al. .... 473/302
- 5,624,329 A \* 4/1997 Schneebeli ..... 473/287
- D416,427 S \* 11/1999 Pecora et al. .... D24/211
- D426,602 S \* 6/2000 Polk et al. .... D21/747

D525,671 S \* 7/2006 Hu ..... D21/735

\* cited by examiner

*Primary Examiner*—Cathron C Brooks

*Assistant Examiner*—Melanie Levy

(74) *Attorney, Agent, or Firm*—Edgar W. Averill, Jr.; Kenneth L. Green

(57) **CLAIM**

The ornamental design for an elastic grip stress reducer in the form of a golf club, as shown and described.

**DESCRIPTION**

FIG. 1 is a perspective view showing the front, left side and bottom of the elastic grip stress reducer in the form of a golf club showing my new design.

FIG. 2 is a front view thereof.

FIG. 3 is a left side view thereof.

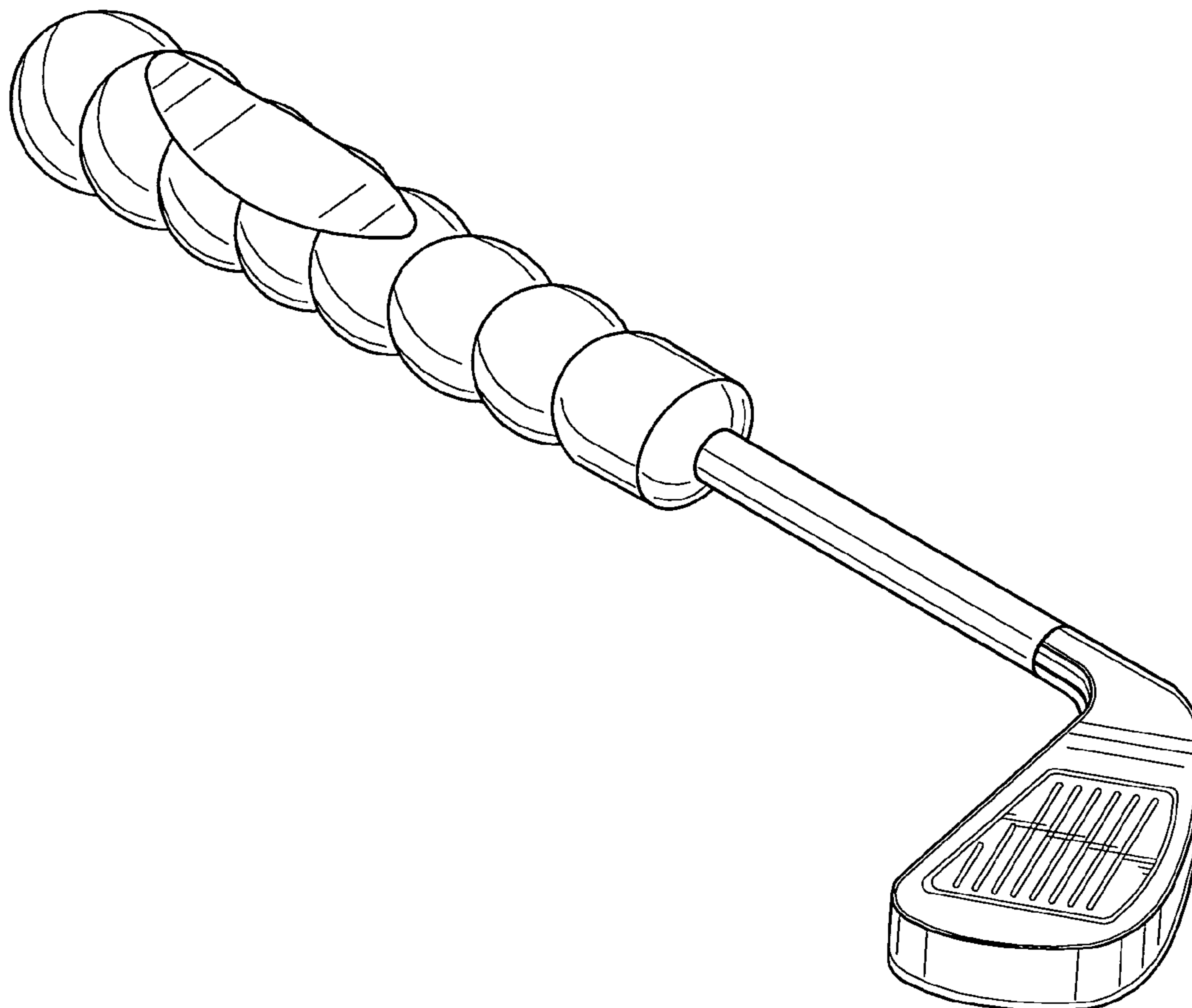
FIG. 4 is a back view thereof.

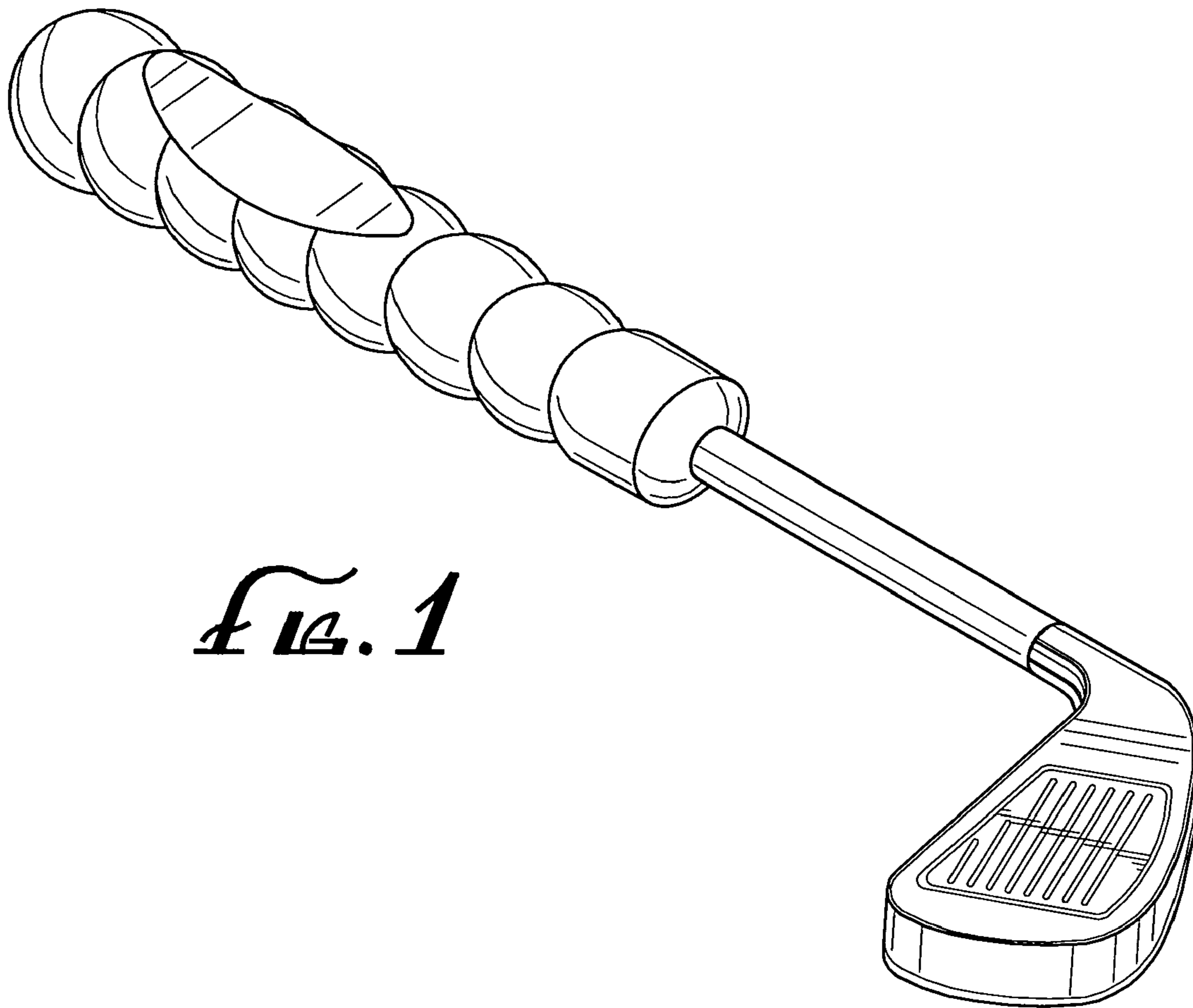
FIG. 5 is a right side view thereof.

FIG. 6 is a bottom view thereof; and,

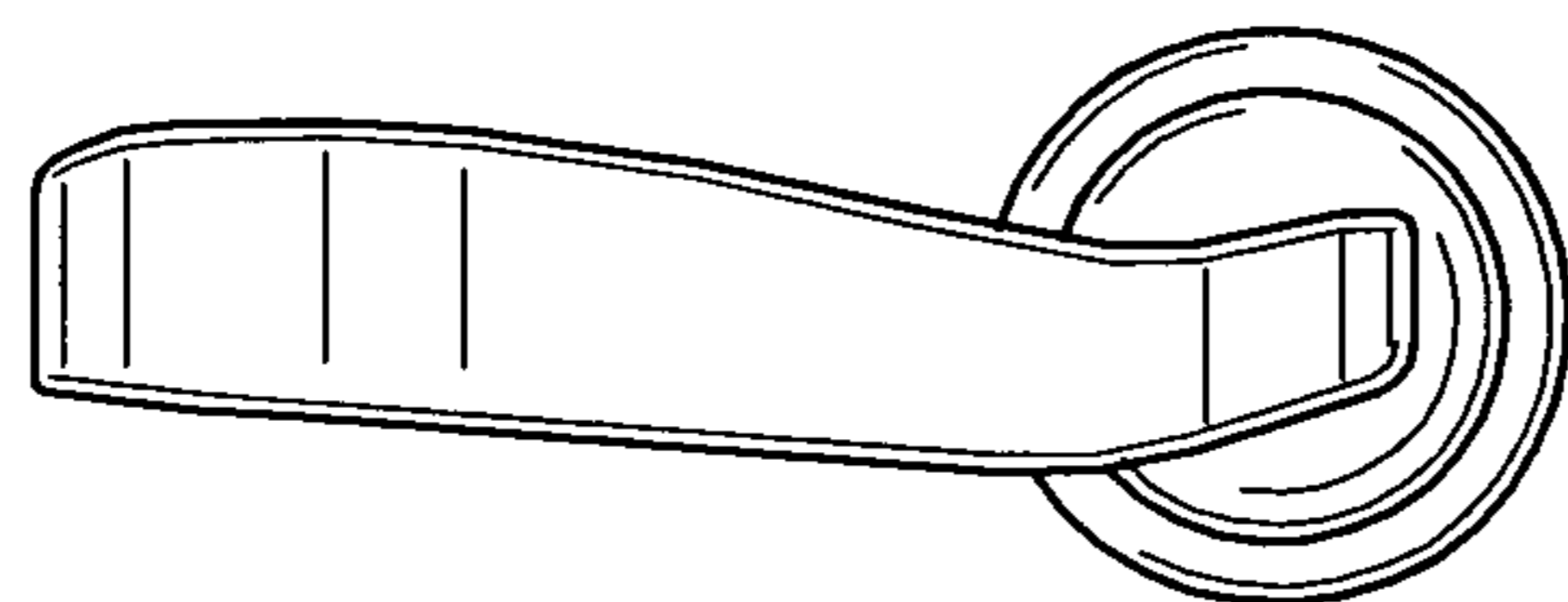
FIG. 7 is a top view thereof.

**1 Claim, 3 Drawing Sheets**

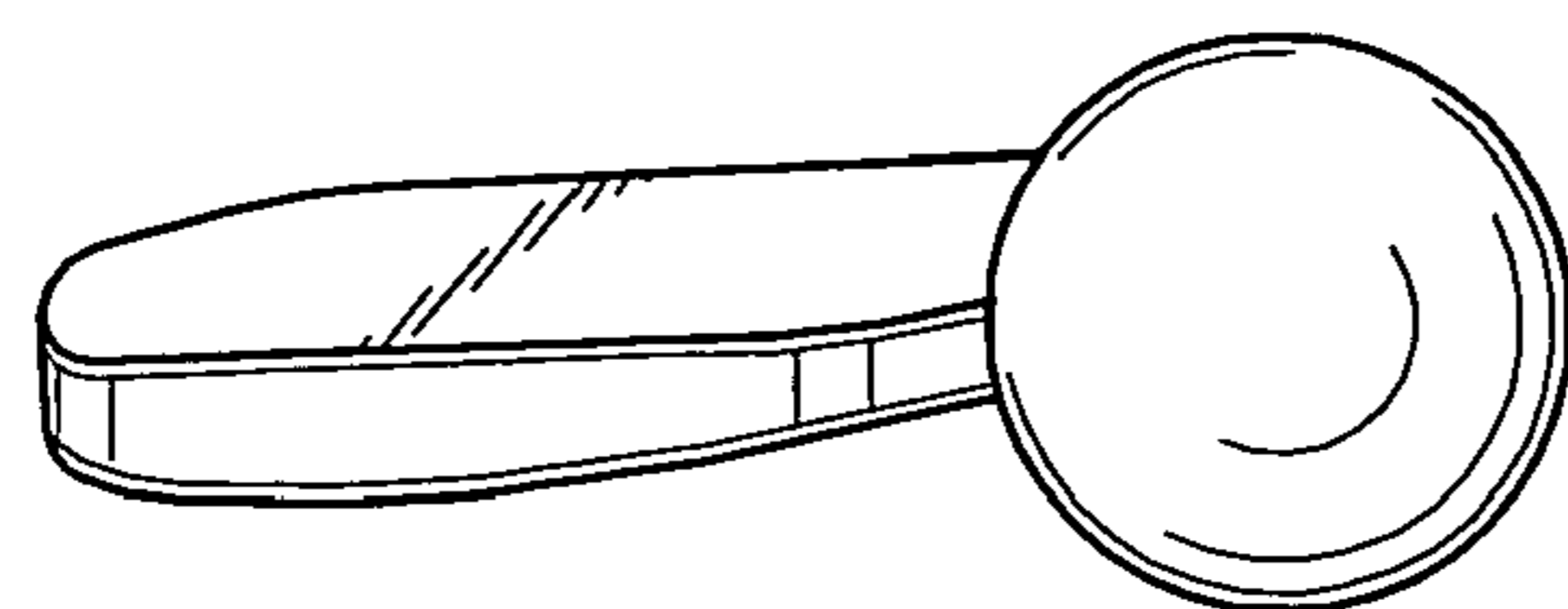




*FIG. 1*



*FIG. 6*



*FIG. 7*

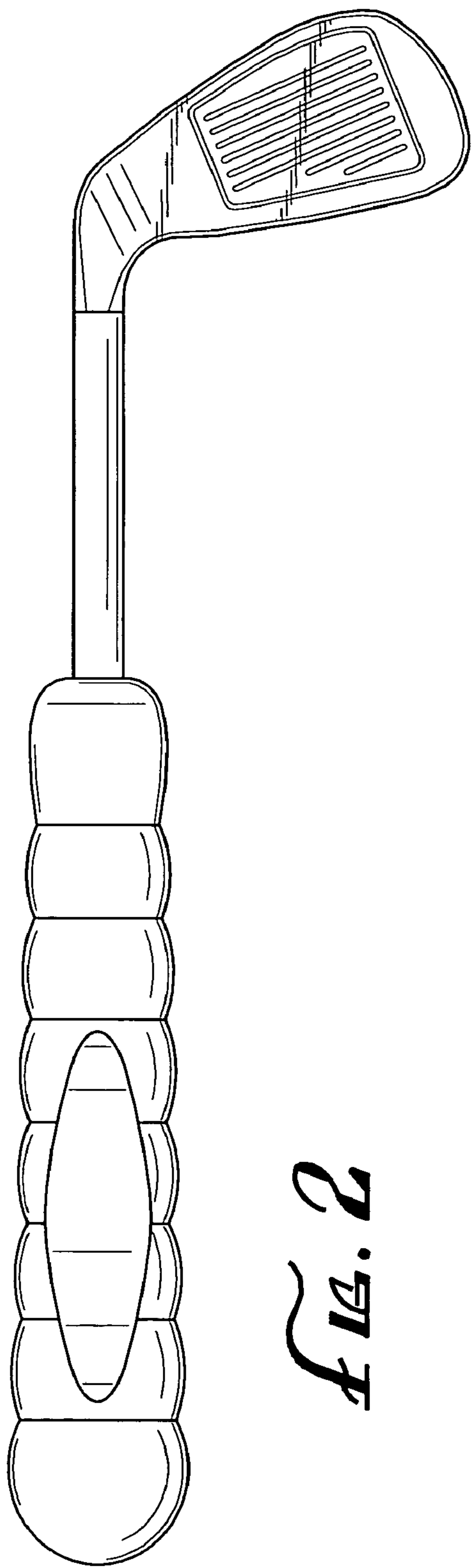


Fig. 2

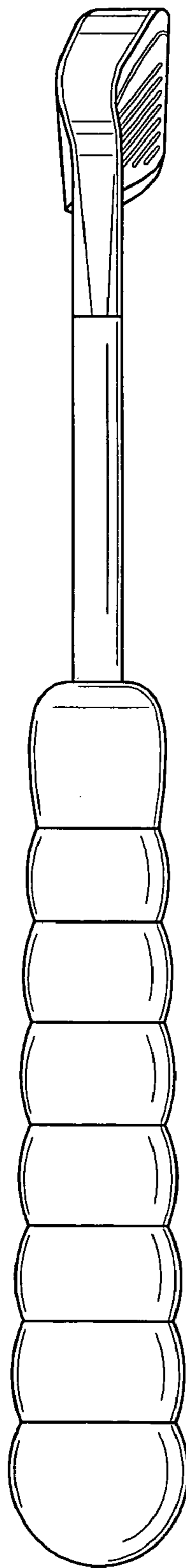


Fig. 3

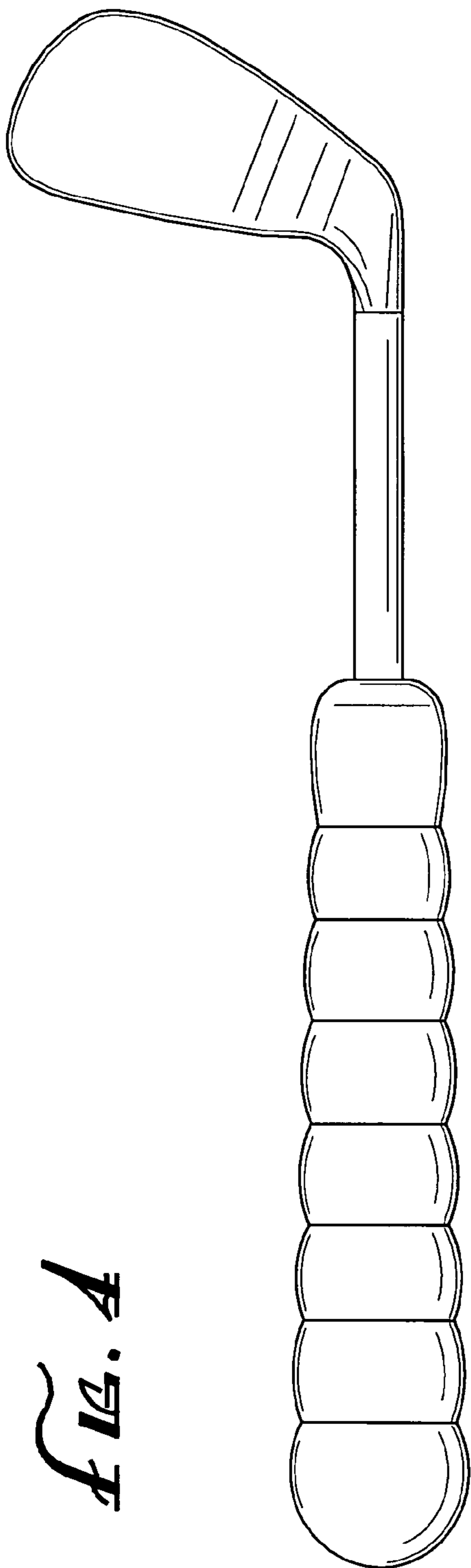


FIG. 4

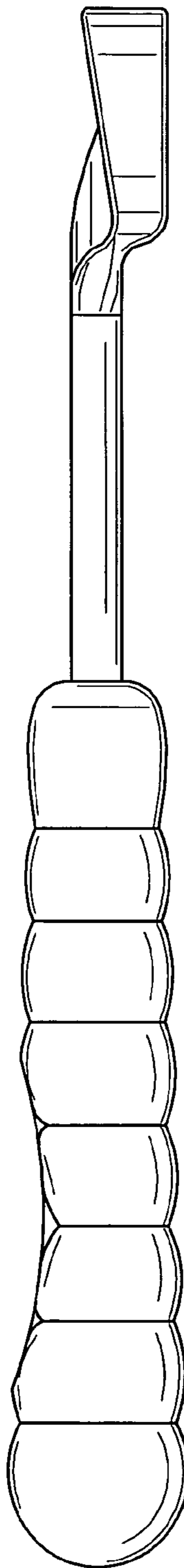


FIG. 5