



US00D586919S

(12) **United States Design Patent**
Nielsen

(10) **Patent No.:** **US D586,919 S**

(45) **Date of Patent:** **** Feb. 17, 2009**

(54) **FOOT CONTROL FOR A DENTIST CHAIR**

(75) Inventor: **Thomas Steen Nielsen**, Brøndby (DK)

(73) Assignee: **Heka Dental ApS**, Ishoj (DK)

(**) Term: **14 Years**

(21) Appl. No.: **29/305,266**

(22) Filed: **Mar. 17, 2008**

(30) **Foreign Application Priority Data**

Oct. 3, 2007 (EM) 000809777

(51) **LOC (9) Cl.** **24-99**

(52) **U.S. Cl.** **D24/179; D13/167**

(58) **Field of Classification Search** D24/111,
D24/112, 176, 177, 179; 424/234.1, 217.1;
433/89, 86, 80, 119, 98, 101; D13/167
See application file for complete search history.

(56) **References Cited**

U.S. PATENT DOCUMENTS

- D192,917 S * 5/1962 Aymar et al. D24/179
- D202,343 S * 9/1965 Neilsen et al. D24/179
- D260,524 S * 9/1981 Satoh D13/167
- 4,793,807 A * 12/1988 Friedman et al. 433/80
- 5,125,837 A * 6/1992 Warrin et al. 433/98
- D478,874 S * 8/2003 Moll et al. D13/167
- 6,866,507 B2 * 3/2005 Beerstecher 433/101

- D542,740 S * 5/2007 Pollard D13/167
- D543,512 S * 5/2007 Schurg et al. D13/167
- D556,153 S * 11/2007 Burnside D13/167
- D559,200 S * 1/2008 Schurg et al. D13/167

* cited by examiner

Primary Examiner—Charles A Rademaker

(74) *Attorney, Agent, or Firm*—William J. Sapone; Coleman Sudol Sapone P.C.

(57) **CLAIM**

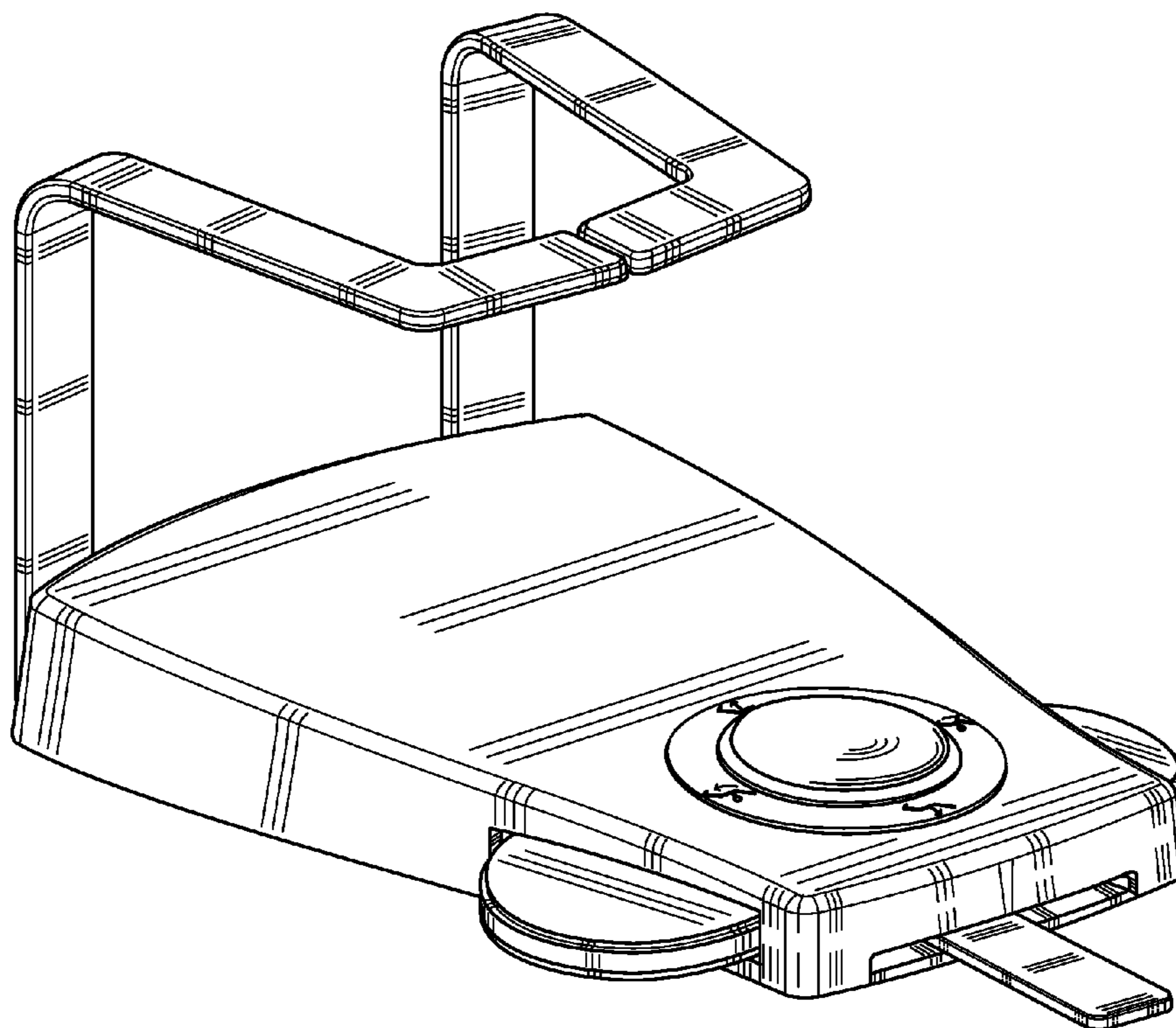
The ornamental design for a foot control for a dentist chair, as shown and described.

DESCRIPTION

FIG. 1 is a perspective front view of the foot control for a dentist chair showing my new design;
 FIG. 2 is a top view thereof;
 FIG. 3 is a rear view thereof;
 FIG. 4 is a front view thereof;
 FIG. 5 is a left side view thereof;
 FIG. 6 is a right side view thereof; and,
 FIG. 7 is a bottom view thereof.

The broken lines shown in the drawings are included for the purpose of illustrating structural environment and form no part of the claimed design.

1 Claim, 5 Drawing Sheets



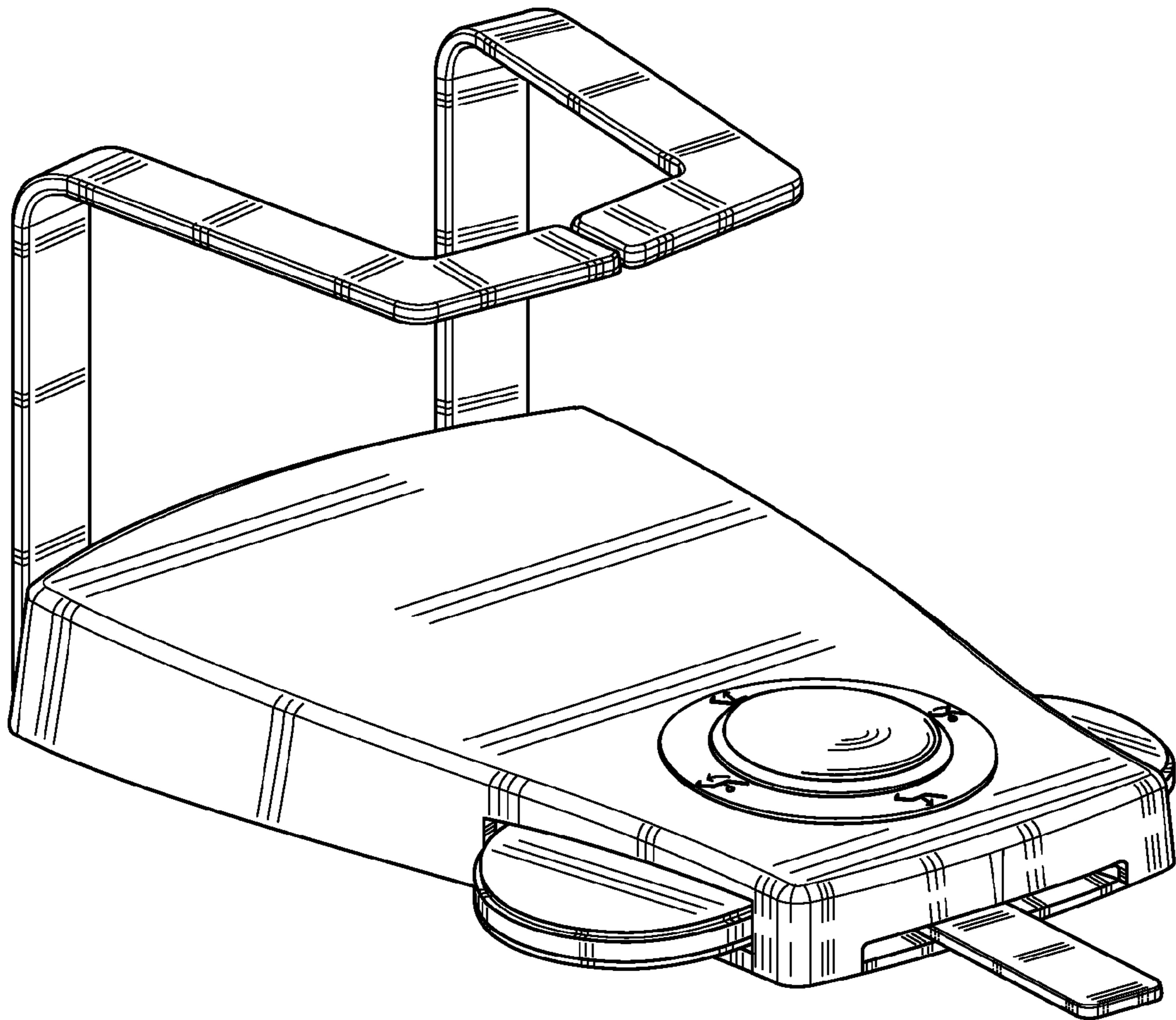


FIG. 1

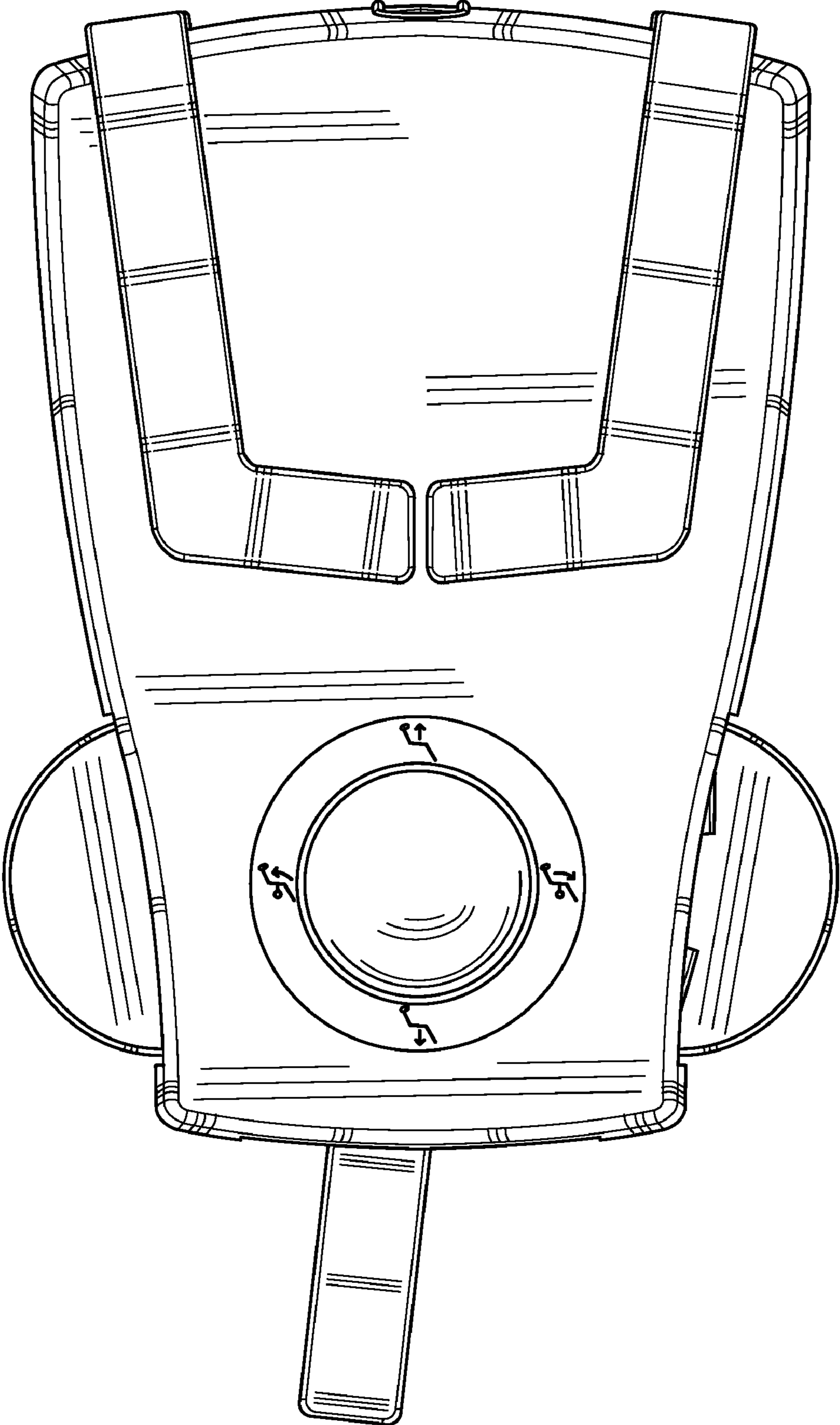


FIG. 2

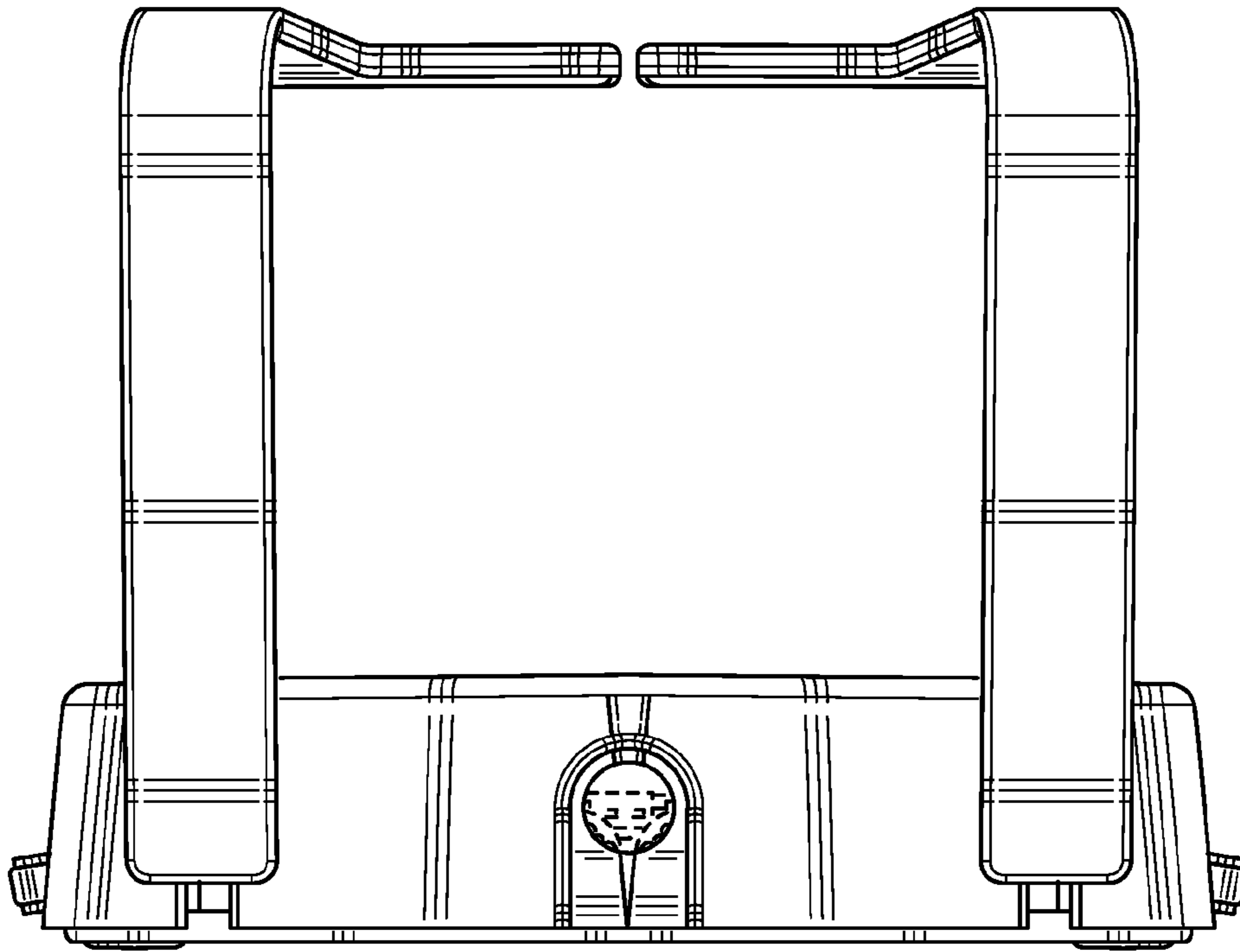


FIG. 3

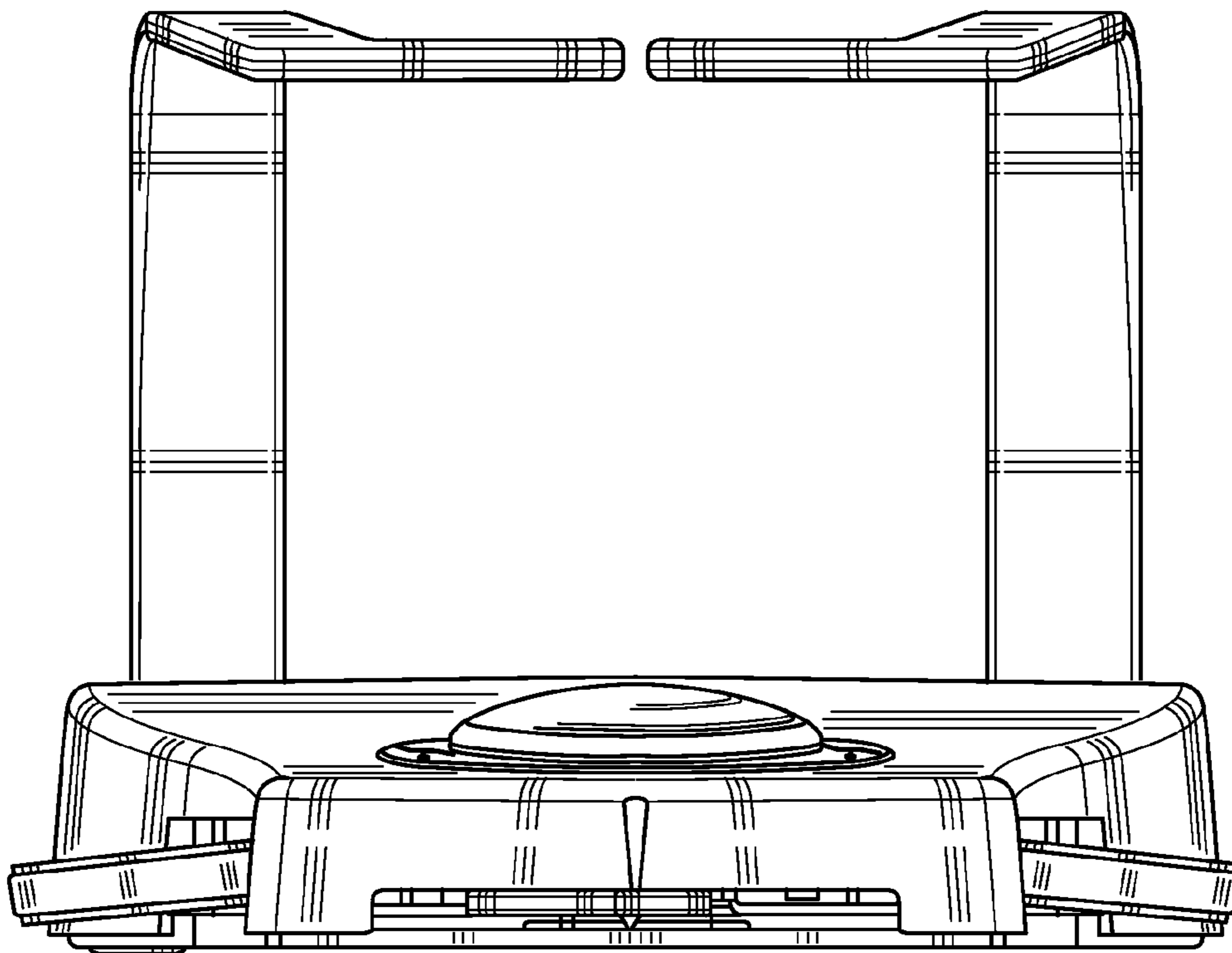


FIG. 4

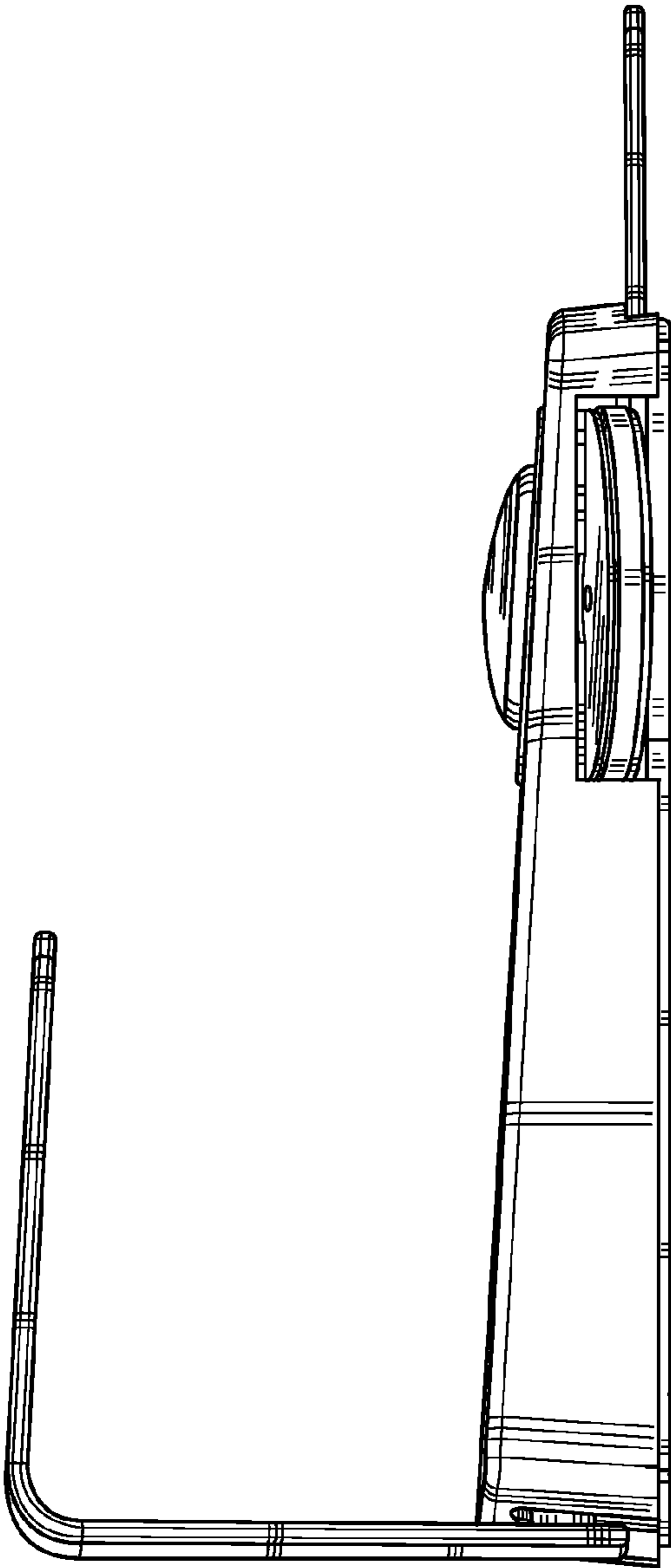


FIG. 5

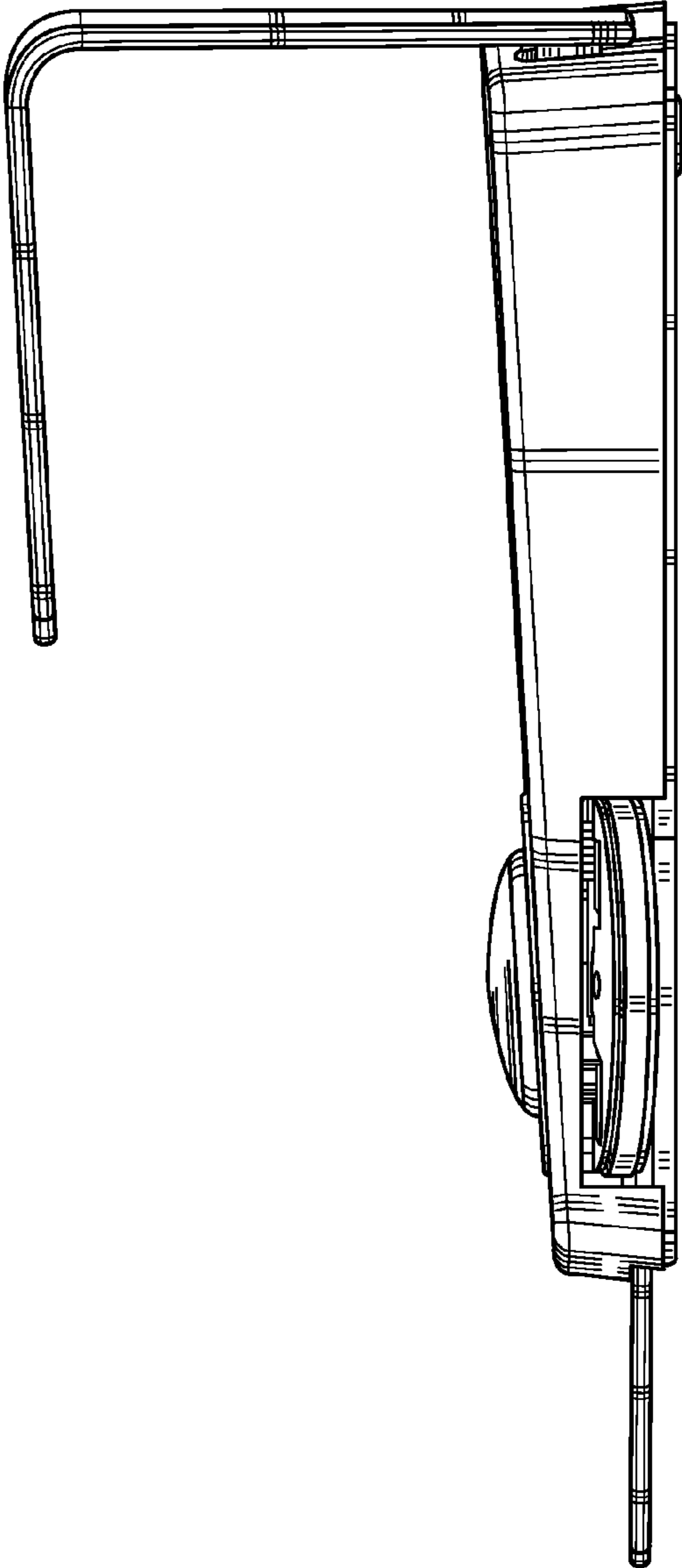


FIG. 6

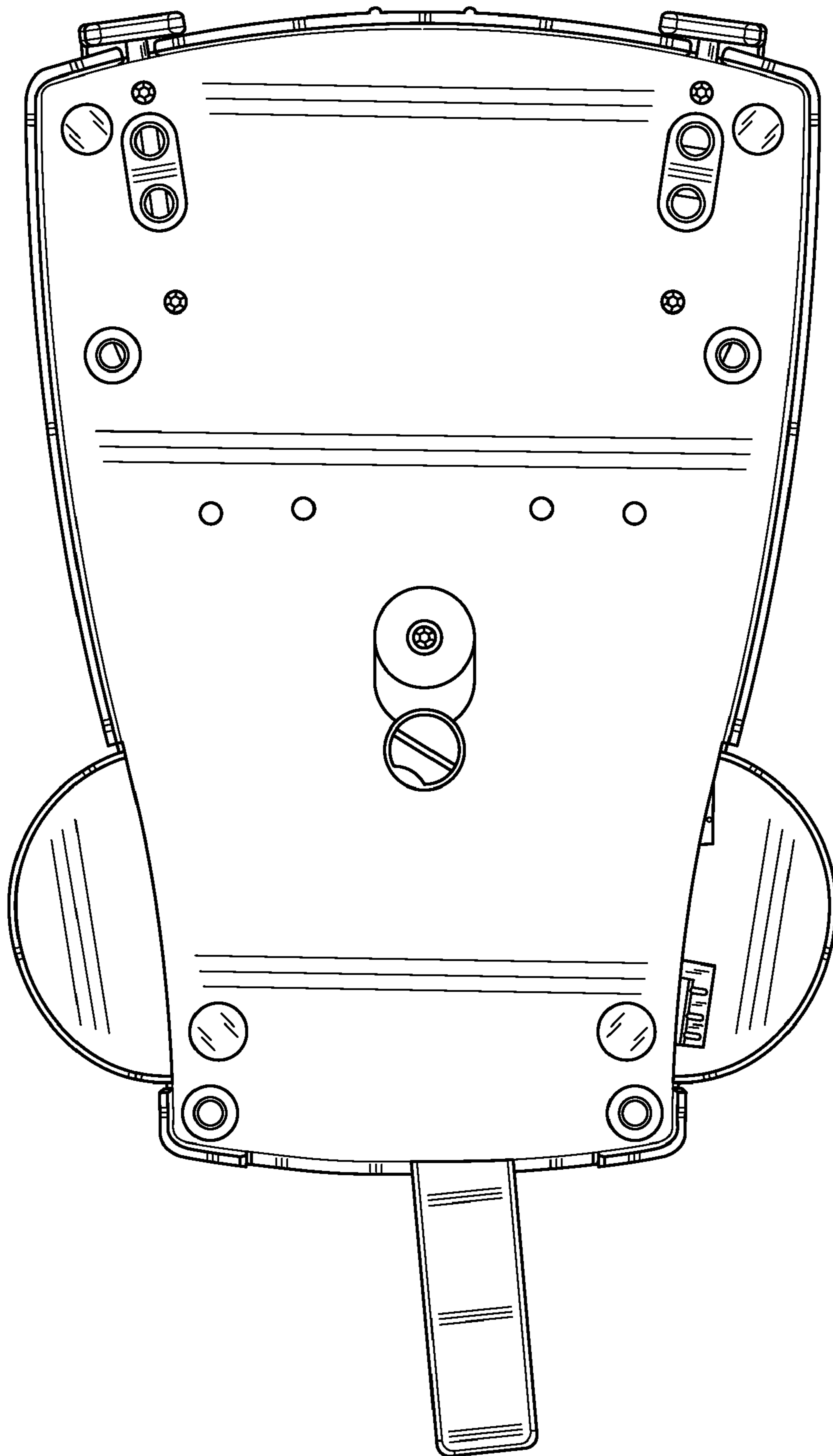


FIG. 7