



US00D586915S

(12) **United States Design Patent**
Grim

(10) **Patent No.:** **US D586,915 S**

(45) **Date of Patent:** **** Feb. 17, 2009**

(54) **SOFT TISSUE STAPLE**

(75) Inventor: **Gregory A. Grim**, Lascassas, TN (US)

(73) Assignee: **BioMedical Enterprises, Inc.**, San Antonio, TX (US)

(**) Term: **14 Years**

(21) Appl. No.: **29/308,567**

(22) Filed: **Jun. 25, 2008**

Related U.S. Application Data

(62) Division of application No. 29/288,962, filed on Jun. 28, 2007, now Pat. No. Des. 574,956.

(51) **LOC (9) Cl.** **24-02**

(52) **U.S. Cl.** **D24/145**

(58) **Field of Classification Search** D24/145;
606/60, 72, 75, 219, 213, 220, 215, 222,
606/221; D8/389, 390; 227/902, 19, 83,
227/107, 110, 124

See application file for complete search history.

(56) **References Cited**

U.S. PATENT DOCUMENTS

4,454,875 A * 6/1984 Pratt et al. 606/75
D281,814 S * 12/1985 Pratt et al. D24/145
4,570,623 A * 2/1986 Ellison et al. 606/75
D286,180 S * 10/1986 Korthoff D24/145

D286,441 S * 10/1986 Korthoff et al. D24/145
D286,442 S * 10/1986 Korthoff et al. D24/145
5,454,814 A * 10/1995 Comte 606/75
D378,409 S * 3/1997 Michelson D24/145
6,402,766 B2 * 6/2002 Bowman et al. 606/151
7,267,682 B1 * 9/2007 Bender et al. 606/219
D574,956 S * 8/2008 Grim D24/145
2002/0019636 A1 * 2/2002 Ogilvie et al. 606/75
2006/0058802 A1 * 3/2006 Kofoed 606/75
2007/0093839 A1 * 4/2007 Beckendorf et al. 606/75

* cited by examiner

Primary Examiner—Ian Simmons

Assistant Examiner—Carissa C Fitts

(74) *Attorney, Agent, or Firm*—Christopher L. Makay

(57) **CLAIM**

The ornamental design for a soft tissue staple, as shown and described.

DESCRIPTION

FIG. 1 is a perspective view of the soft tissue staple according to my new design;

FIG. 2 is a front view thereof;

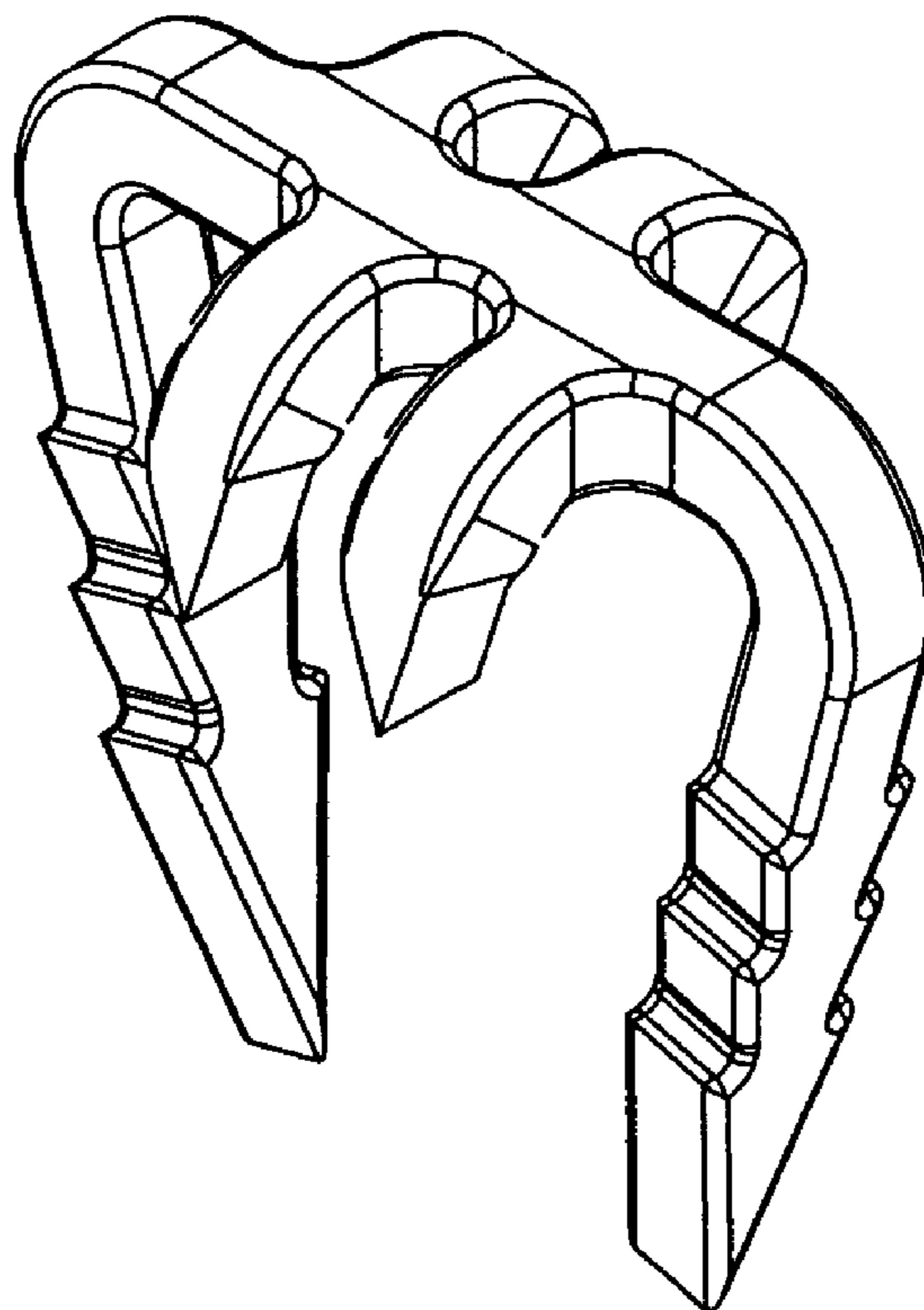
FIG. 3 is a side view thereof;

FIG. 4 is a top view thereof;

FIG. 5 is a rear view thereof; and,

FIG. 6 is a bottom view thereof.

1 Claim, 2 Drawing Sheets



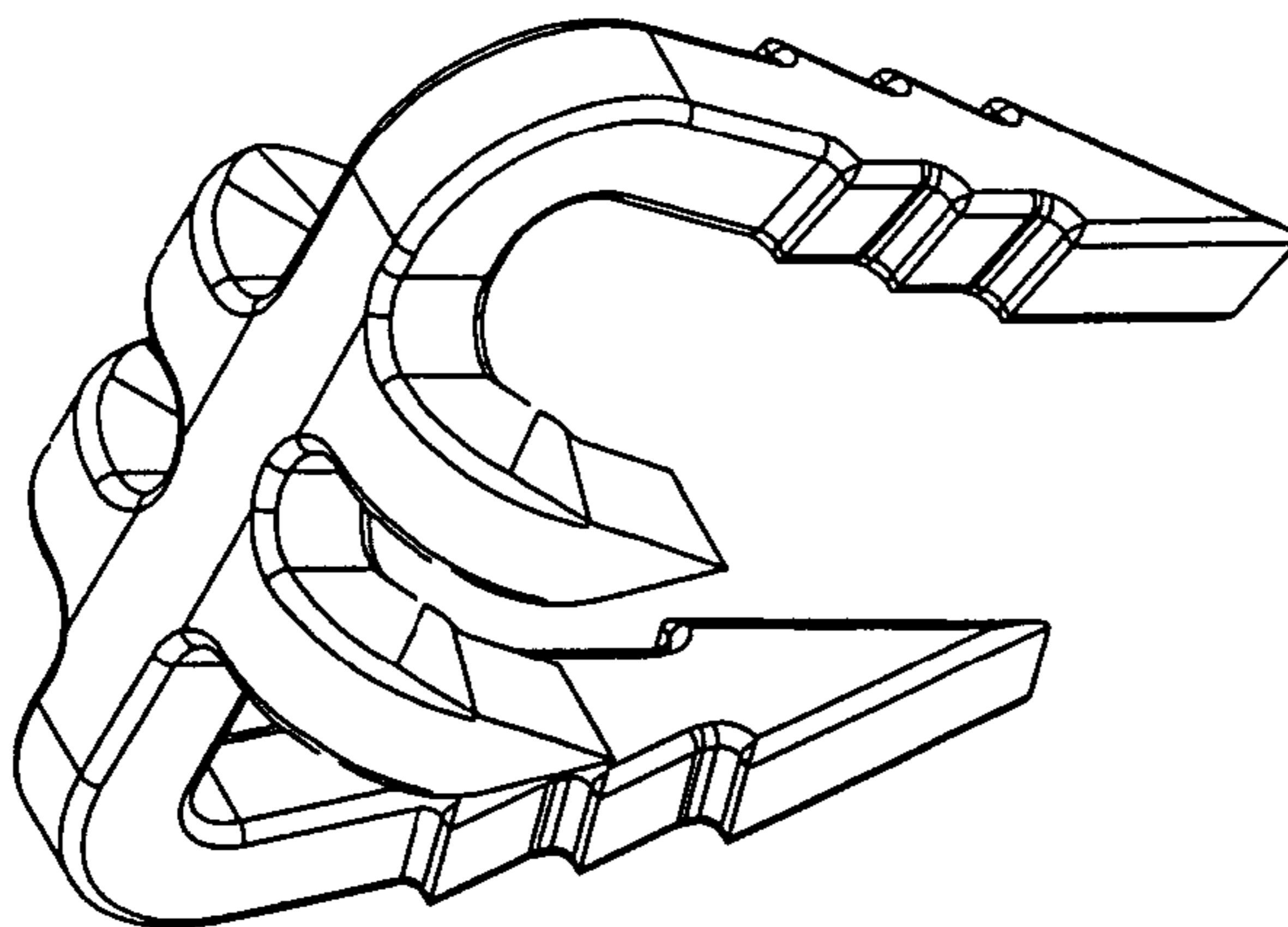


Figure 1

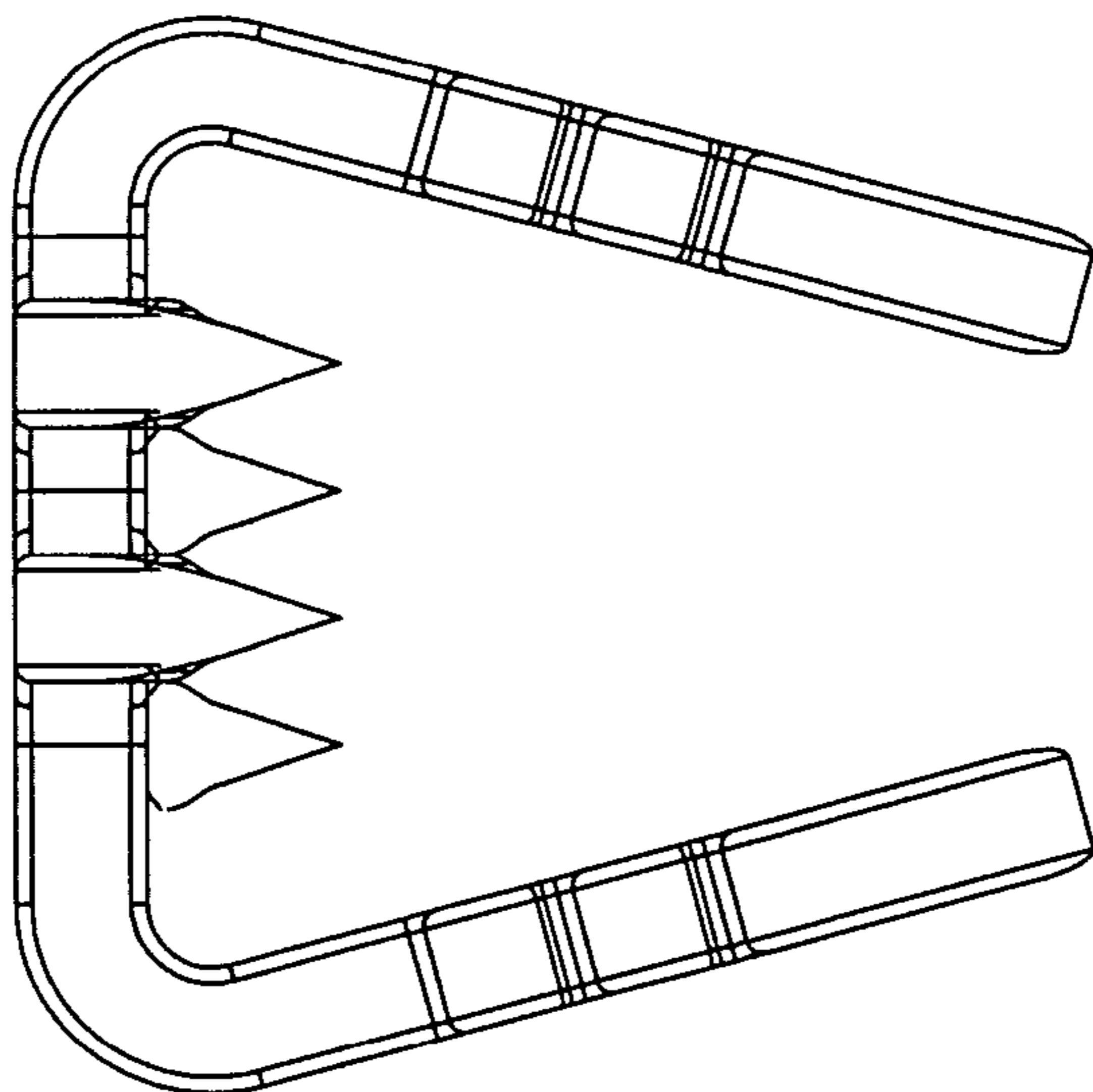


Figure 2

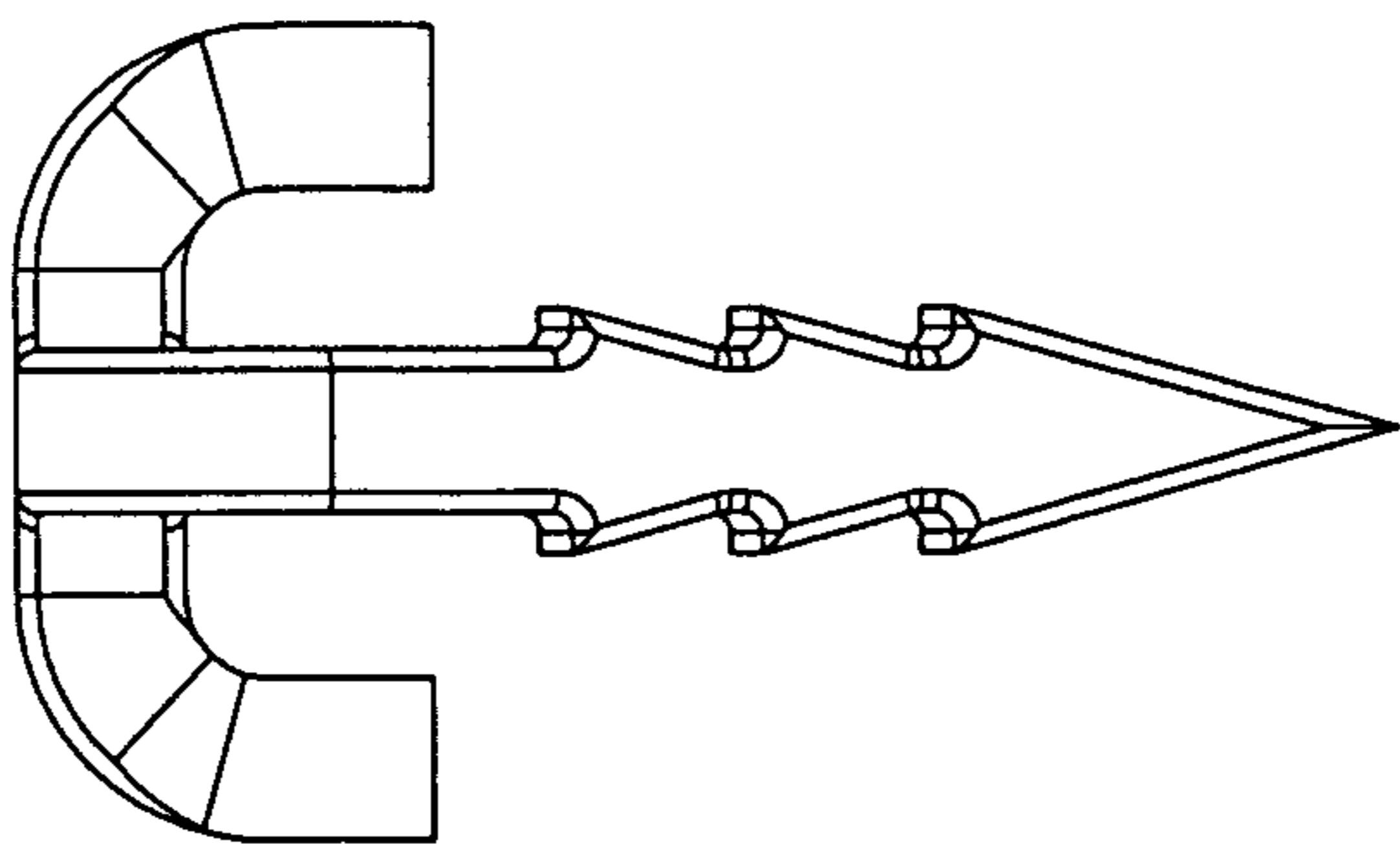


Figure 3

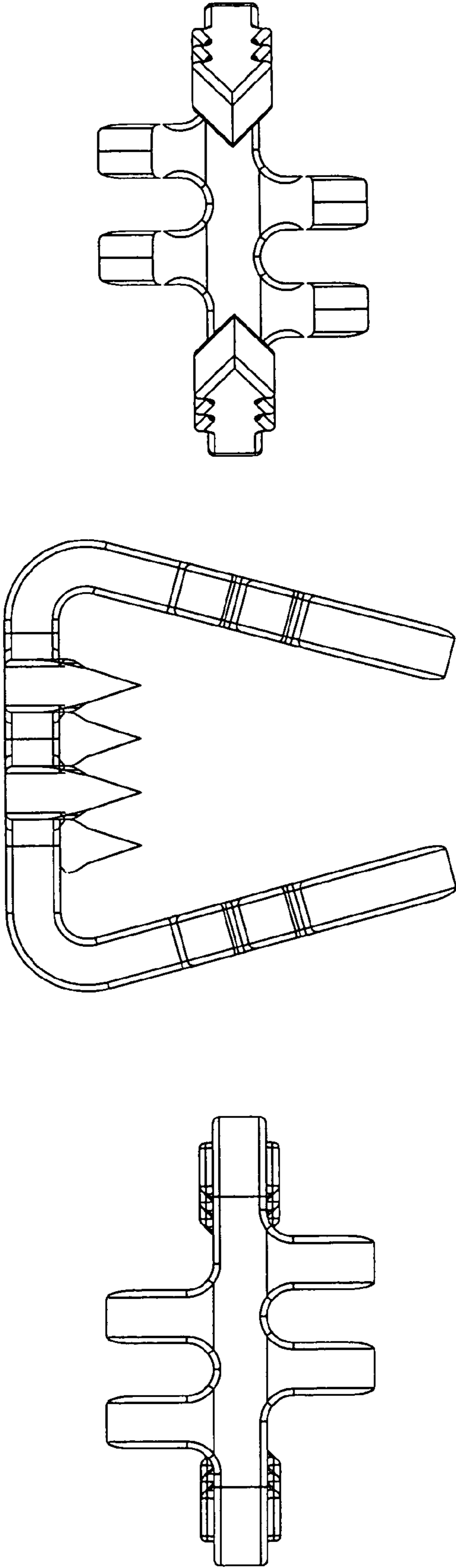


Figure 4

Figure 5

Figure 6