



US00D586913S

(12) **United States Design Patent**
Leroy et al.

(10) **Patent No.:** **US D586,913 S**
(45) **Date of Patent:** **** Feb. 17, 2009**

(54) **MEDICAL INSTRUMENT**

(75) Inventors: **Joel Jules Louis Leroy**, Bully les Mines (FR); **Jacques Francois Bernard Marescaux**, Scharrachbergheim (FR); **Didier Raoul Daniel Mutter**, Vendenheim (FR)

(73) Assignee: **Karl Storz GmbH & Co. KG** (DE)

(**) Term: **14 Years**

(21) Appl. No.: **29/277,882**

(22) Filed: **Mar. 13, 2007**

(30) **Foreign Application Priority Data**

Sep. 13, 2006 (EM) 000587936

(51) **LOC (9) Cl.** **24-02**

(52) **U.S. Cl.** **D24/135; D24/141**

(58) **Field of Classification Search** D24/133, D24/135, 141, 137, 138, 147, 108; 600/131, 600/138, 182, 178, 156, 160, 219, 220, 221, 600/222, 225, 185

See application file for complete search history.

(56) **References Cited**

U.S. PATENT DOCUMENTS

- 3,021,834 A * 2/1962 Sheldon 600/144
- 3,417,745 A * 12/1968 Sheldon 600/167
- 3,437,747 A * 4/1969 Sheldon 348/65
- 4,048,988 A * 9/1977 Regenbogen 600/184
- 4,215,678 A * 8/1980 Heine et al. 600/182
- 4,690,132 A * 9/1987 Bayer et al. 600/219
- 4,772,093 A * 9/1988 Abele et al. 385/119
- 4,943,285 A * 7/1990 Hawks 604/275
- D353,197 S * 12/1994 Hawks D24/135
- D385,628 S * 10/1997 Echevarria D24/135
- 5,931,776 A * 8/1999 Dotolo 600/184

- 6,126,594 A * 10/2000 Bayer 600/184
- 6,142,931 A * 11/2000 Kaji 600/114
- D443,930 S * 6/2001 Nestenborg D24/141
- 6,245,011 B1 * 6/2001 Dudda et al. 600/104
- D452,004 S * 12/2001 Baker et al. D24/135
- 6,340,344 B1 * 1/2002 Christopher 600/156
- 7,037,314 B2 * 5/2006 Armstrong 606/140
- D547,858 S * 7/2007 Kallay et al. D24/108
- 2007/0093692 A1 * 4/2007 Leroy et al. 600/182

OTHER PUBLICATIONS

Endoworld—Karl Storz-Edoscope, Endoworld: Anal Dilator and Retractors for Laparoscopic Colorectal Surgery. Published Nov. 2006.*

* cited by examiner

Primary Examiner—Ian Simmons

Assistant Examiner—Carissa C Fitts

(74) *Attorney, Agent, or Firm*—St. Onge Steward Johnston & Reens LLC

(57) **CLAIM**

The ornamental design for medical instrument, as shown and described in the drawings.

DESCRIPTION

FIG. 1 is a front perspective view of a medical instrument in accordance with the new design;

FIG. 2 is a top view thereof;

FIG. 3 is a left side profile view thereof;

FIG. 4 is a right side profile view thereof;

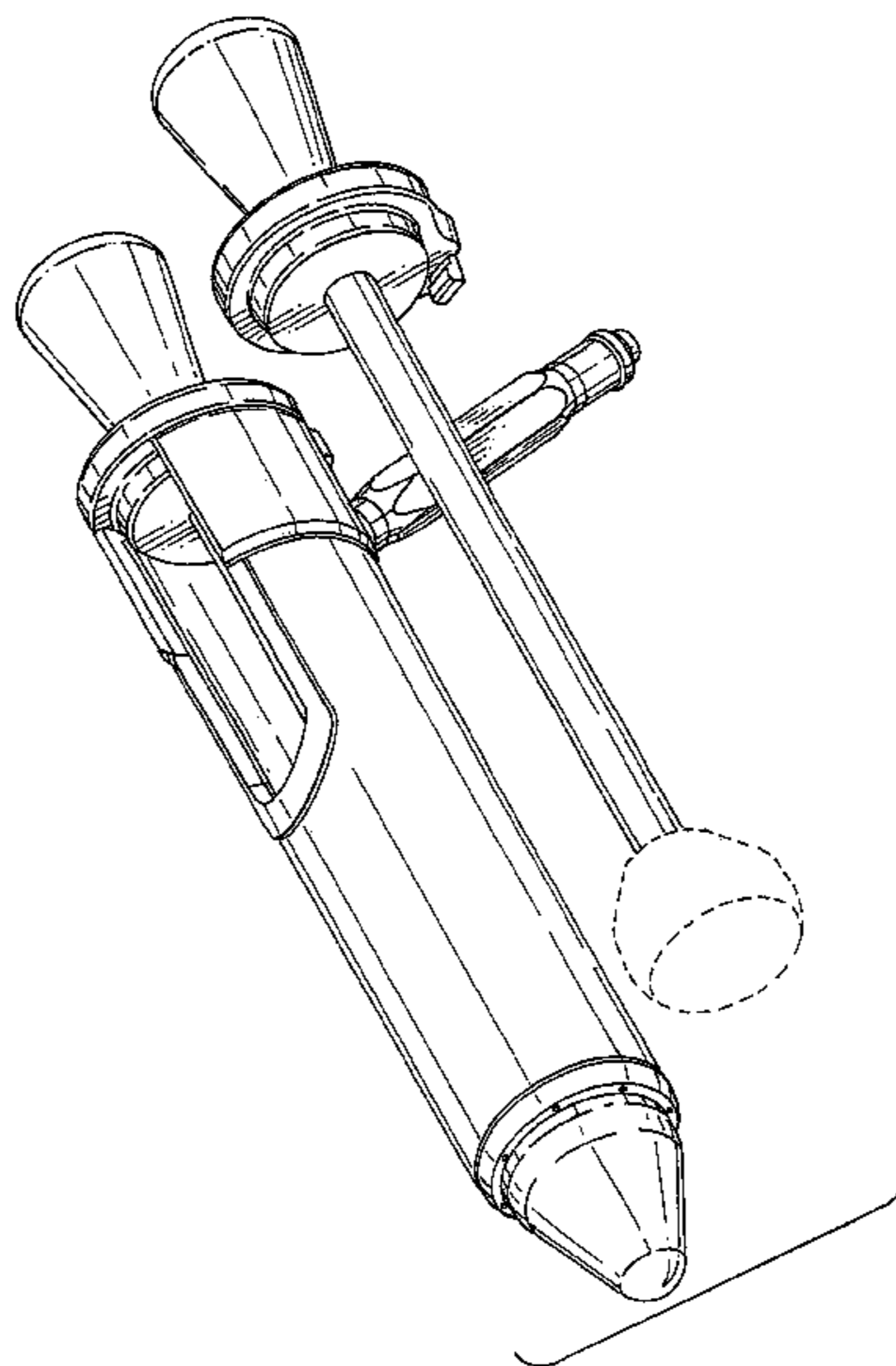
FIG. 5 is a bottom view thereof;

FIG. 6 is rear view thereof; and,

FIG. 7 is a front view thereof.

The broken lines shown in FIGS. 1–3, 5 and 7 are for illustrative purposes only and form no part of the claimed design.

1 Claim, 7 Drawing Sheets



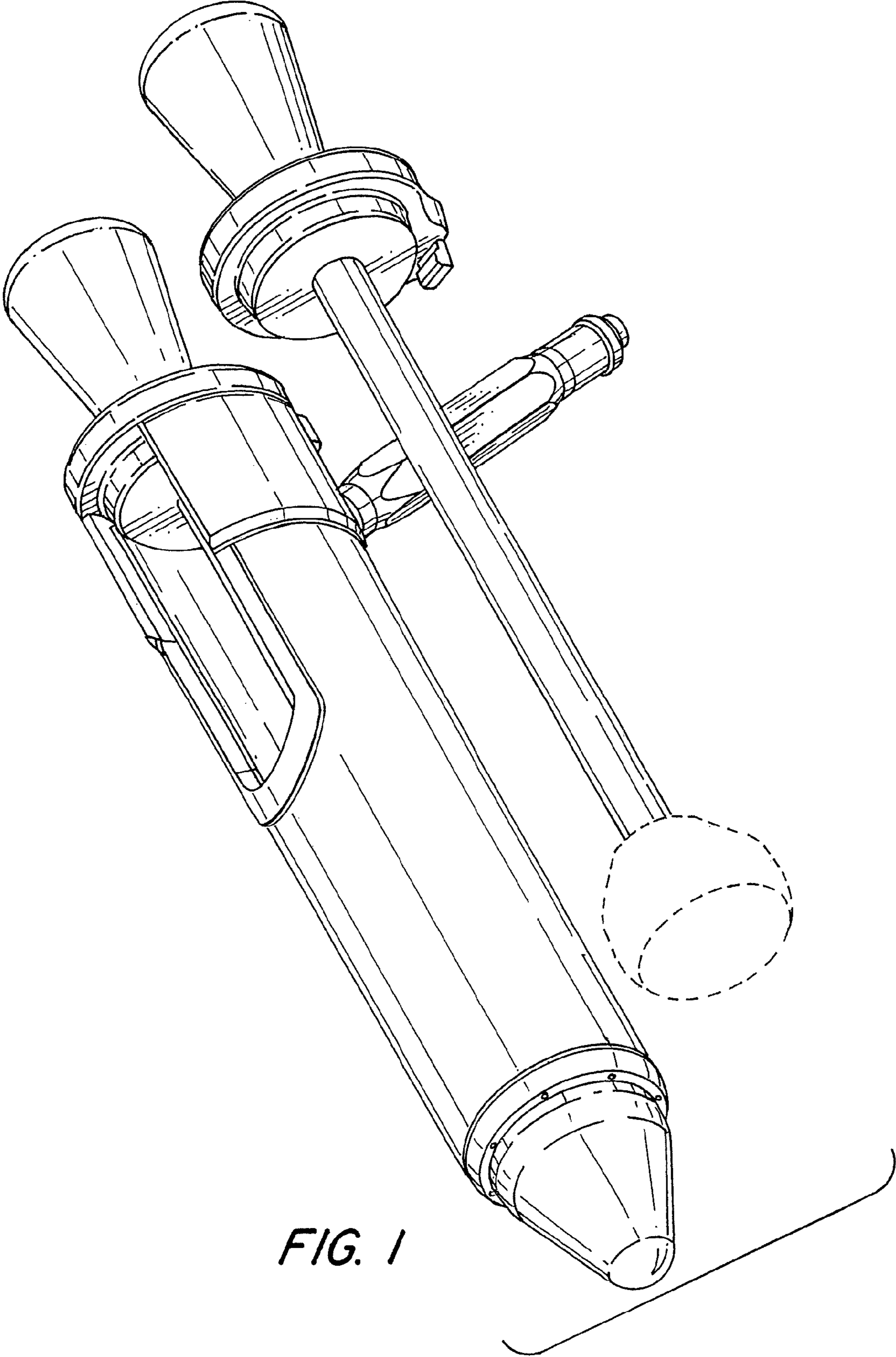


FIG. 1

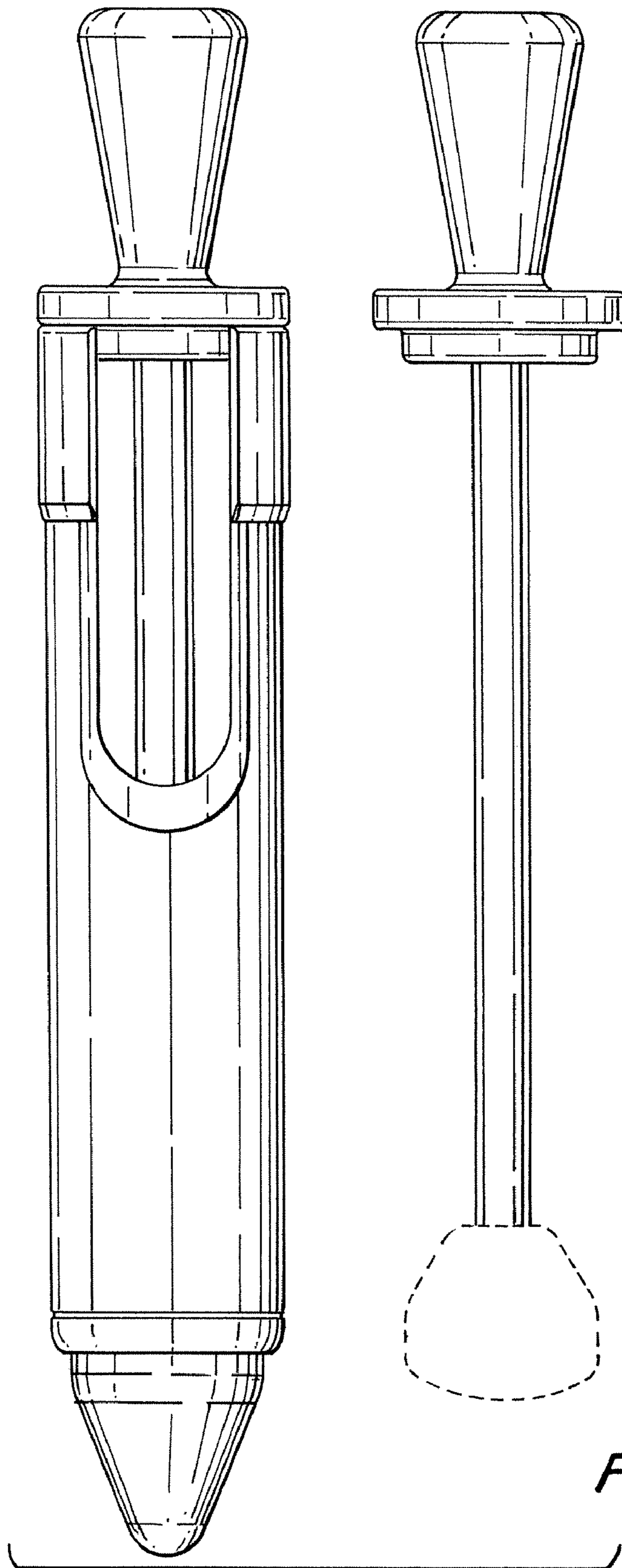


FIG. 2

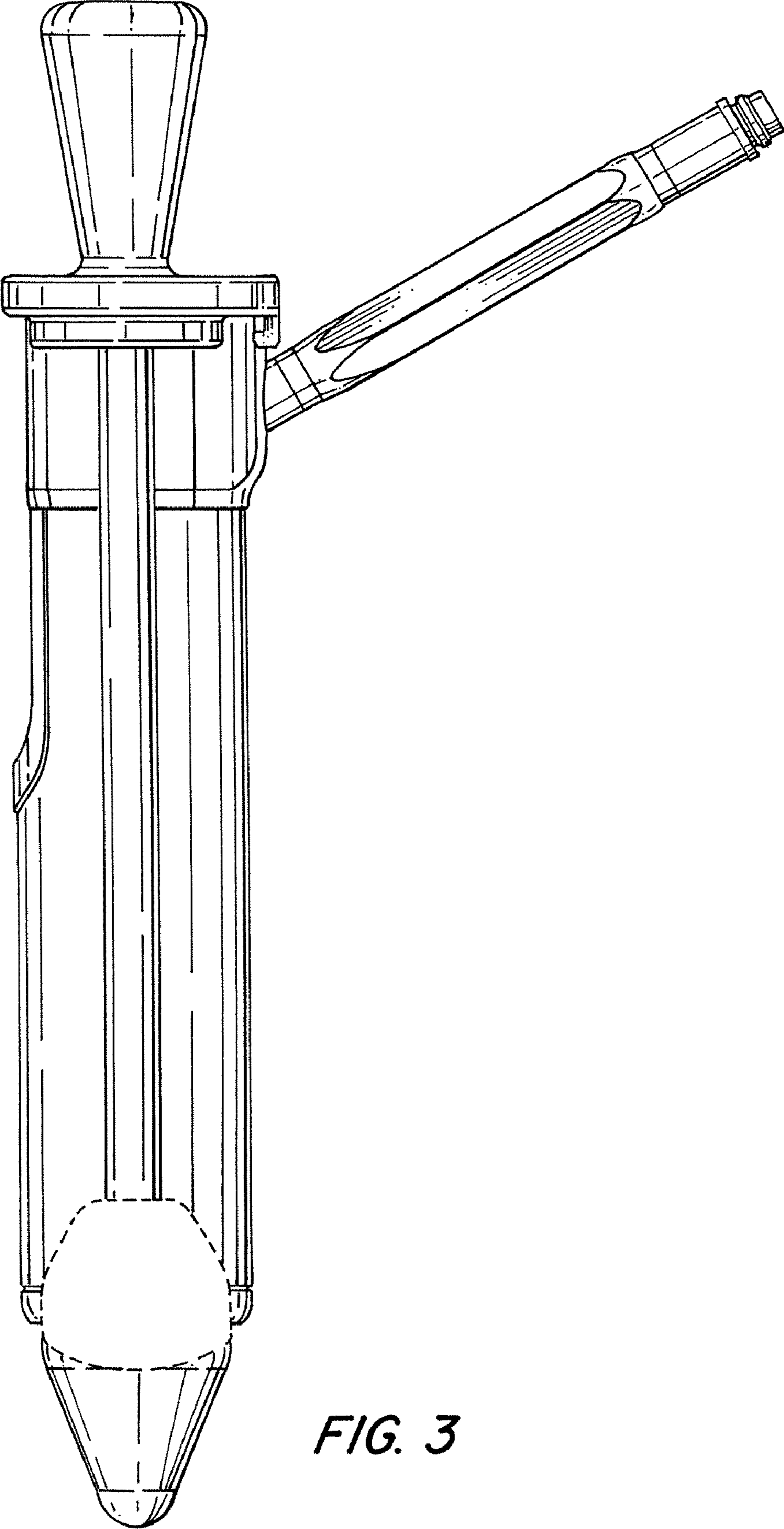


FIG. 3

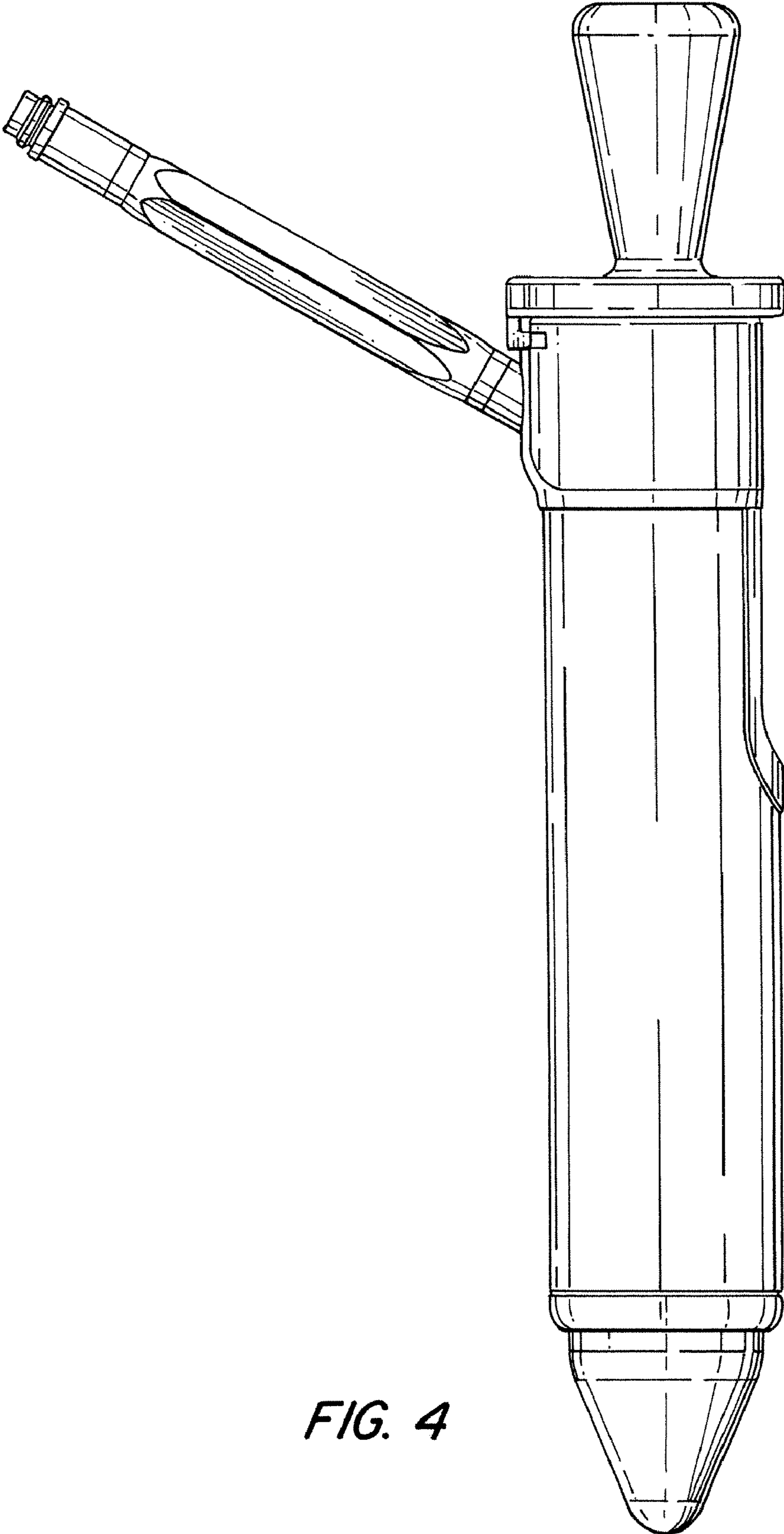


FIG. 4

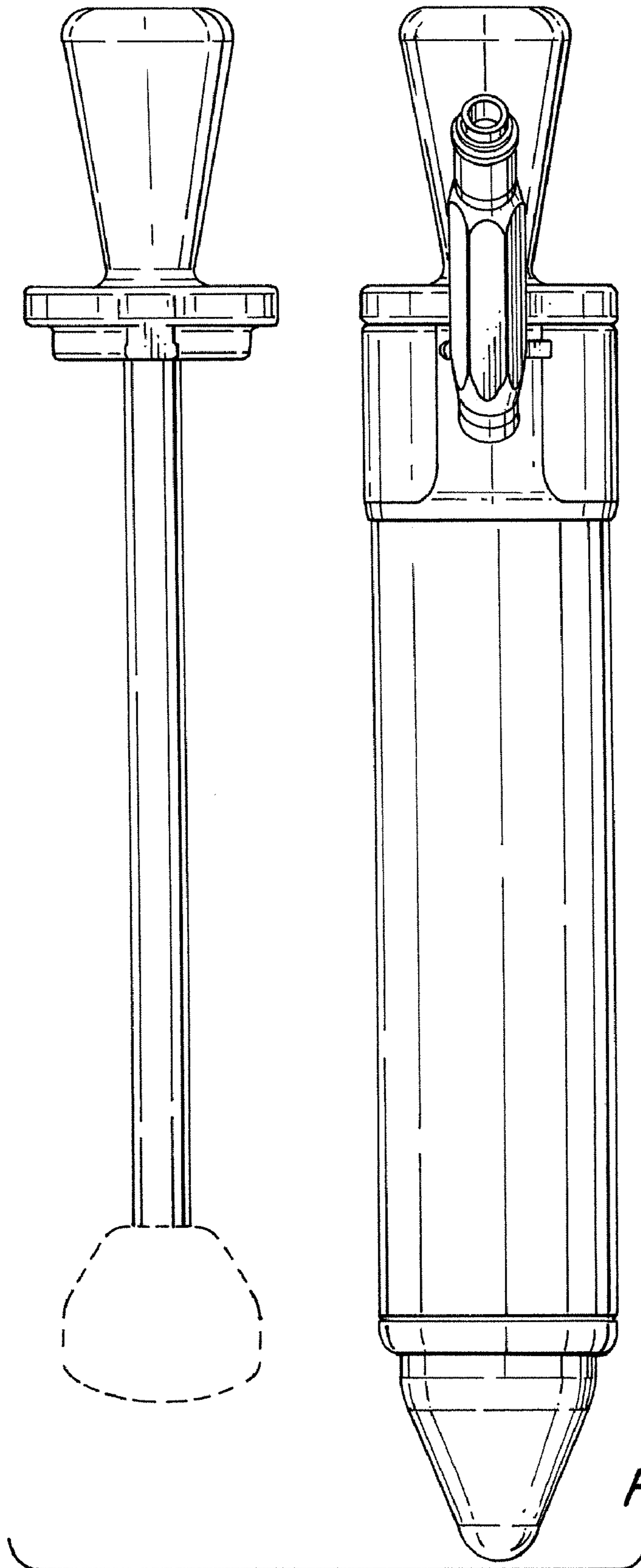


FIG. 5

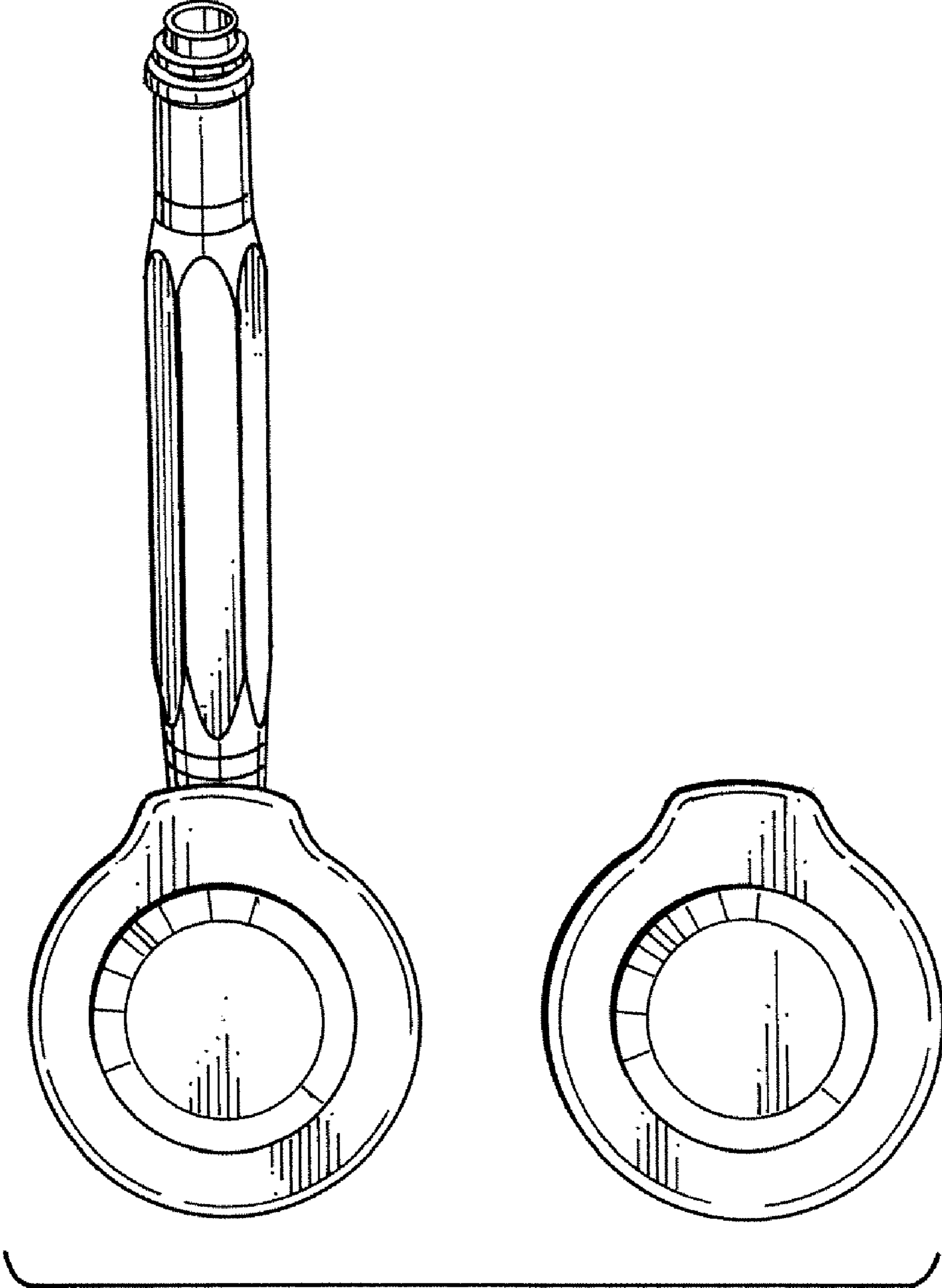


FIG. 6

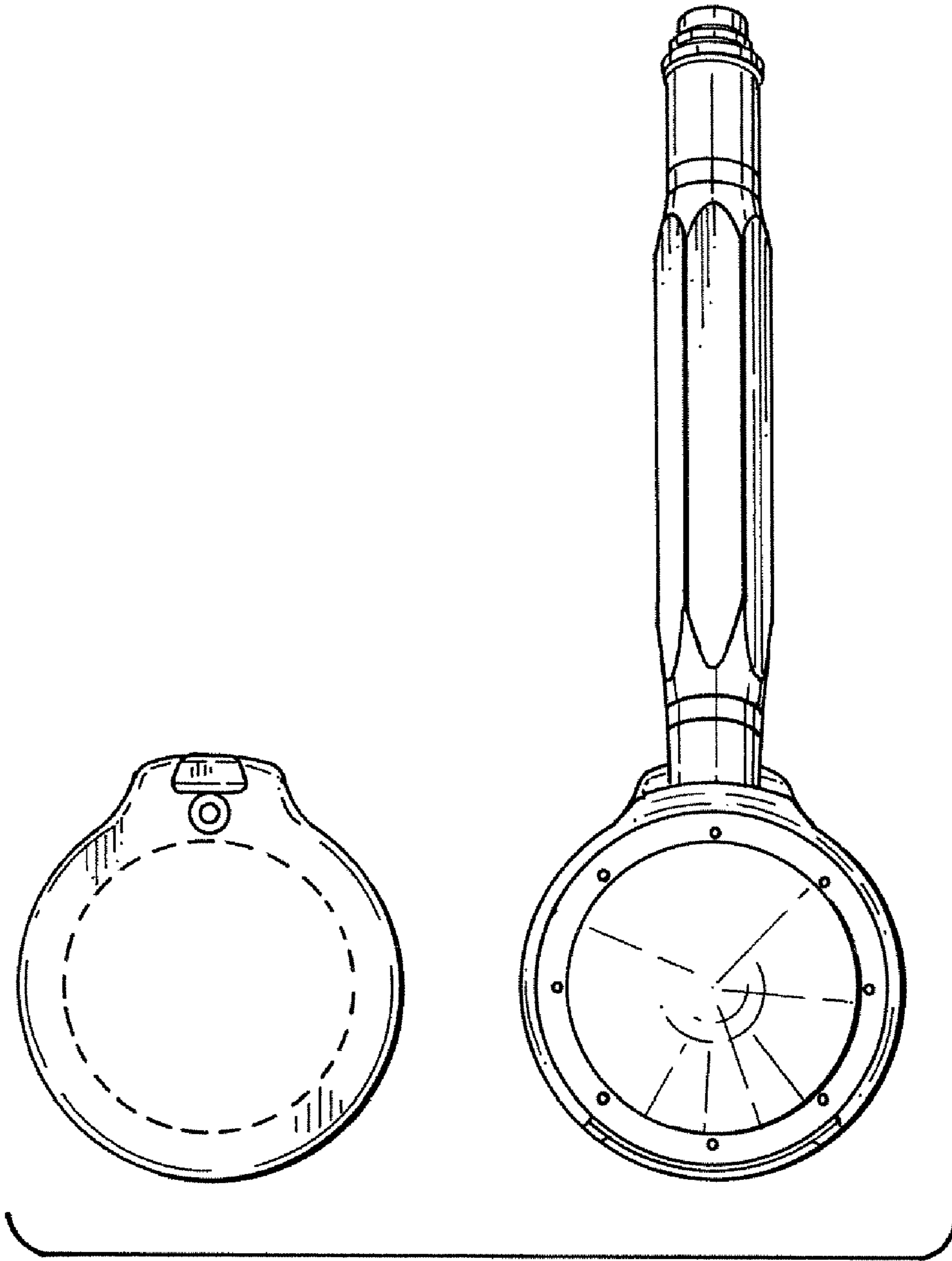


FIG. 7