



US00D586910S

(12) **United States Design Patent**
Chandran et al.

(10) **Patent No.:** **US D586,910 S**
(45) **Date of Patent:** **** Feb. 17, 2009**

(54) **VENTILATION INTERFACE**

2006/0174887 A1* 8/2006 Chandran et al. 128/206.11
2006/0266361 A1* 11/2006 Hernandez 128/206.11

(75) Inventors: **Sanjay Chandran**, Boca Raton, FL
(US); **Shara Hernandez**, Davie, FL
(US); **Louis Javier Collazo**, Atlanta, GA
(US)

* cited by examiner

(73) Assignee: **RespCare, Inc.**, Coconut Creek, FL
(US)

Primary Examiner—Ian Simmons
Assistant Examiner—Christopher Lee

(**) Term: **14 Years**

(74) *Attorney, Agent, or Firm*—Maier & Maier, PLLC

(21) Appl. No.: **29/274,247**

(57) **CLAIM**

(22) Filed: **Apr. 9, 2007**

The ornamental design for a ventilation interface, as shown and described.

Related U.S. Application Data

(63) Continuation of application No. 29/245,378, filed on Dec. 23, 2005, now Pat. No. Des. 550,836.

DESCRIPTION

(51) **LOC (9) Cl.** **29-02**

(52) **U.S. Cl.** **D24/110.1; D24/110.4**

(58) **Field of Classification Search** D24/110,
D24/110.1, 110.4, 110.5, 164; 128/206.11,
128/206.21, 206.27, 206.28, 207.11, 207.13,
128/207.17

FIG. 1 is a top and right front perspective view of a ventilation interface, showing our design;

FIG. 2 is a right side view thereof;

FIG. 3 is a left side view thereof;

FIG. 4 is a front view thereof;

FIG. 5 is a rear view thereof;

FIG. 6 is a top view thereof; and,

FIG. 7 is a bottom view thereof.

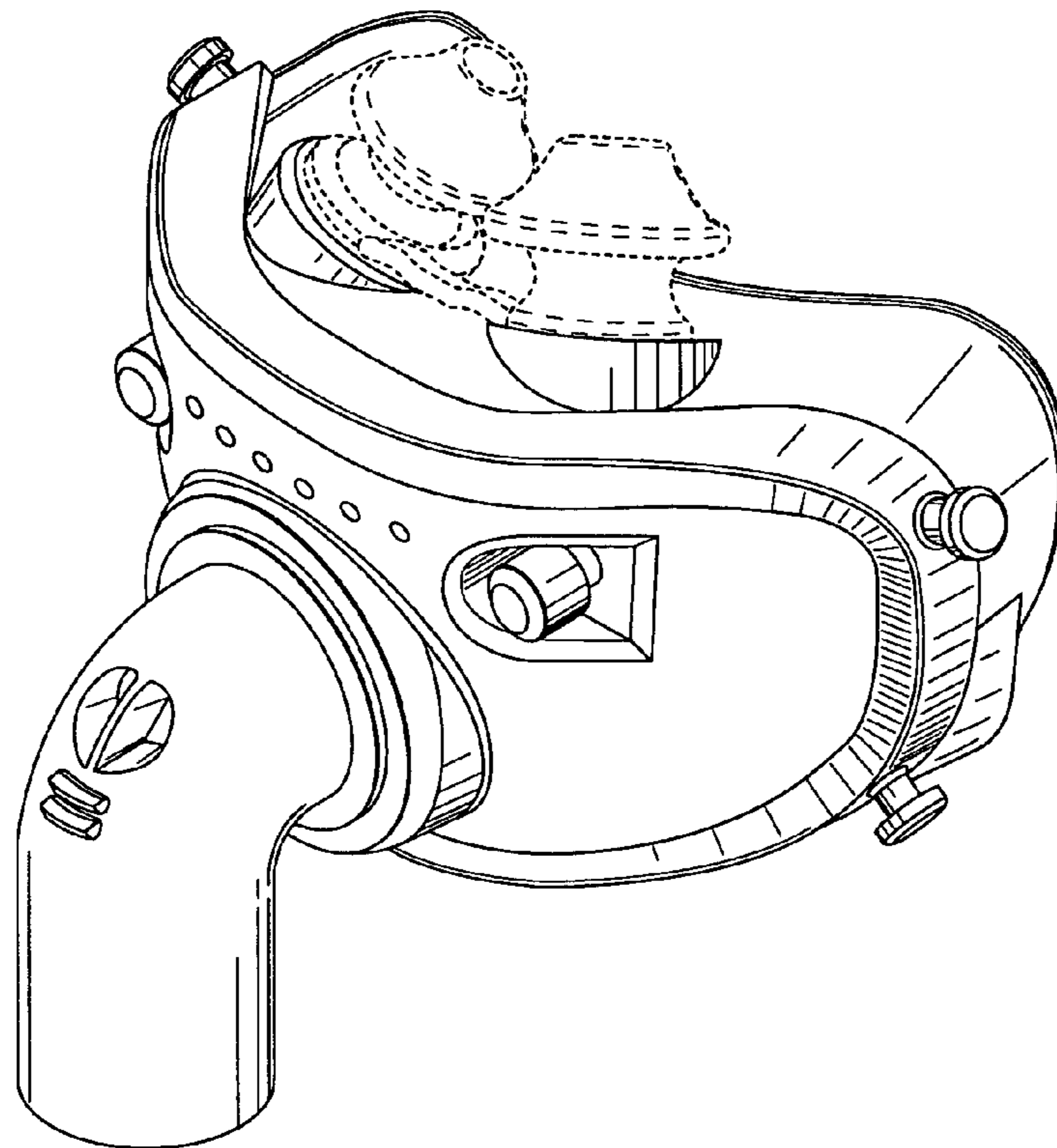
See application file for complete search history.

(56) **References Cited**

U.S. PATENT DOCUMENTS

2006/0124131 A1* 6/2006 Chandran et al. 128/206.28

1 Claim, 4 Drawing Sheets



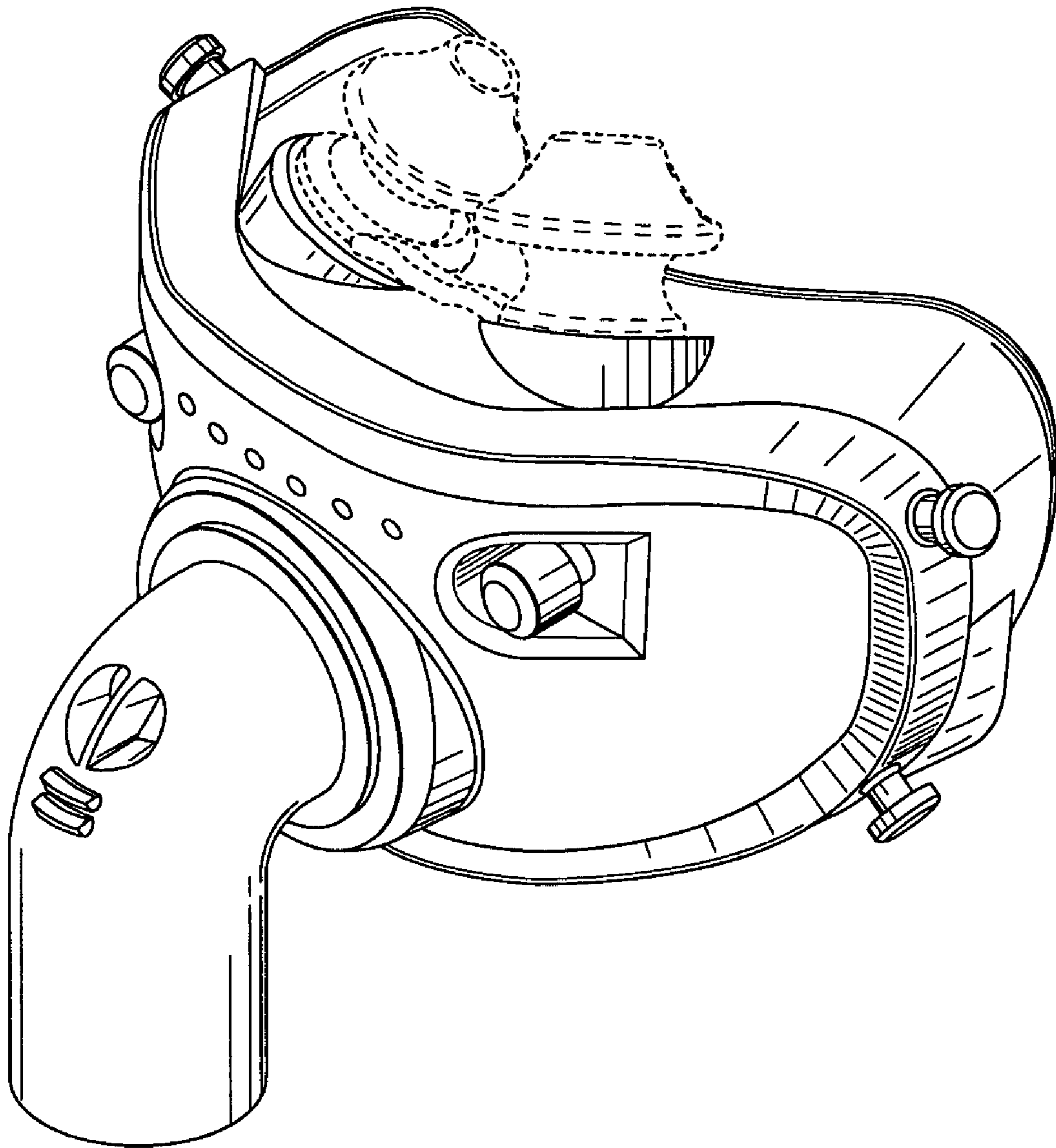


Fig. 1

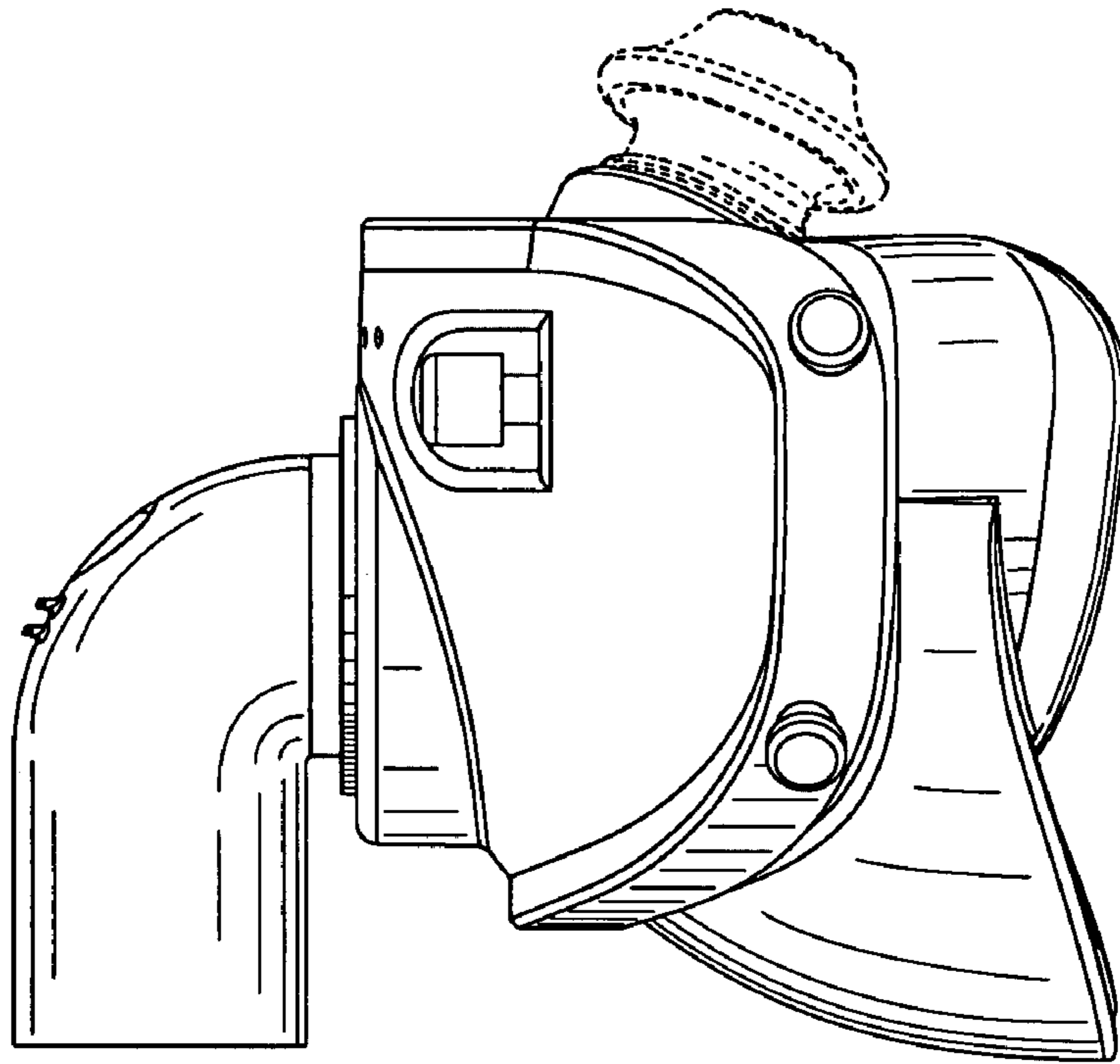


Fig. 2

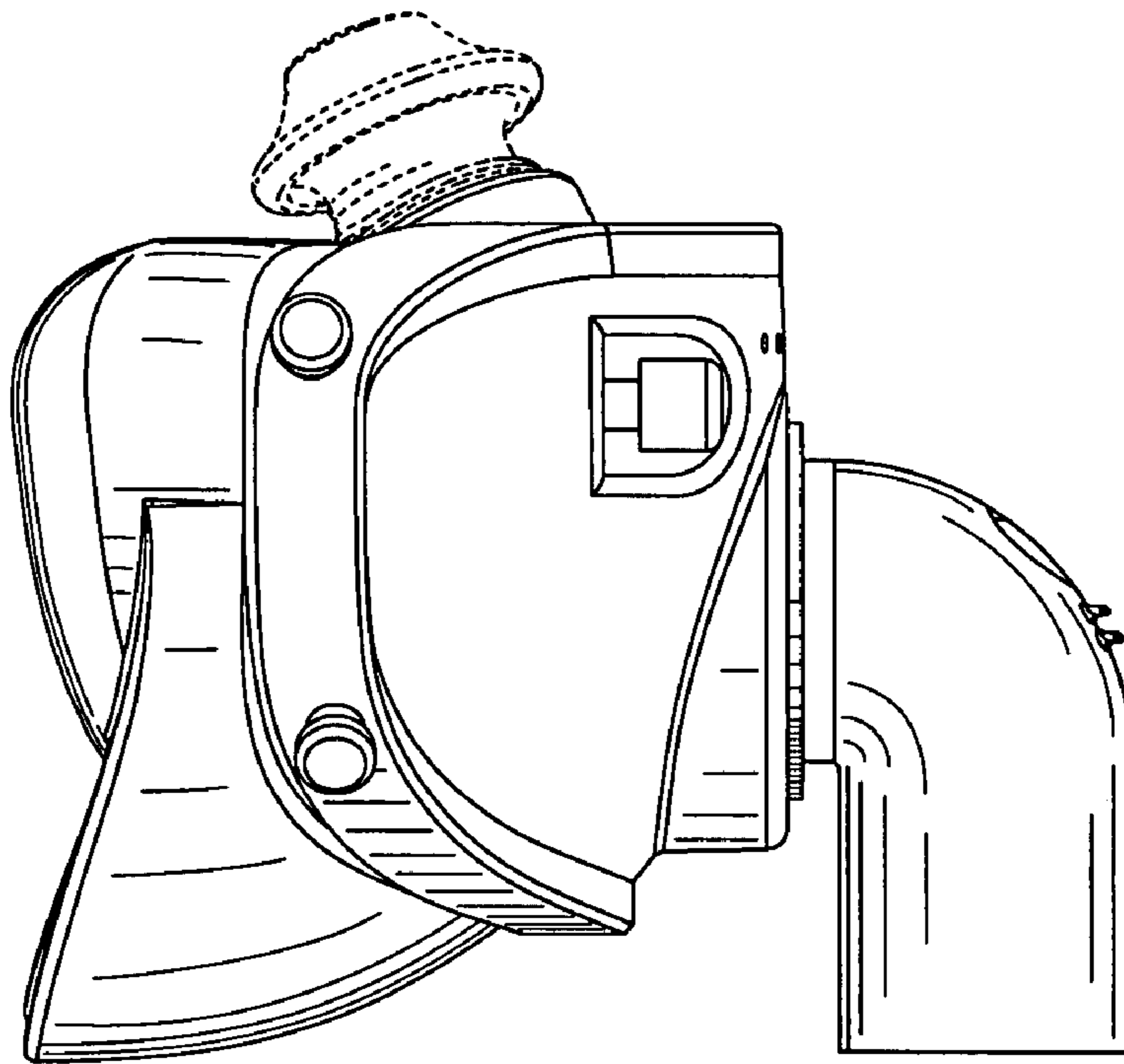


Fig. 3

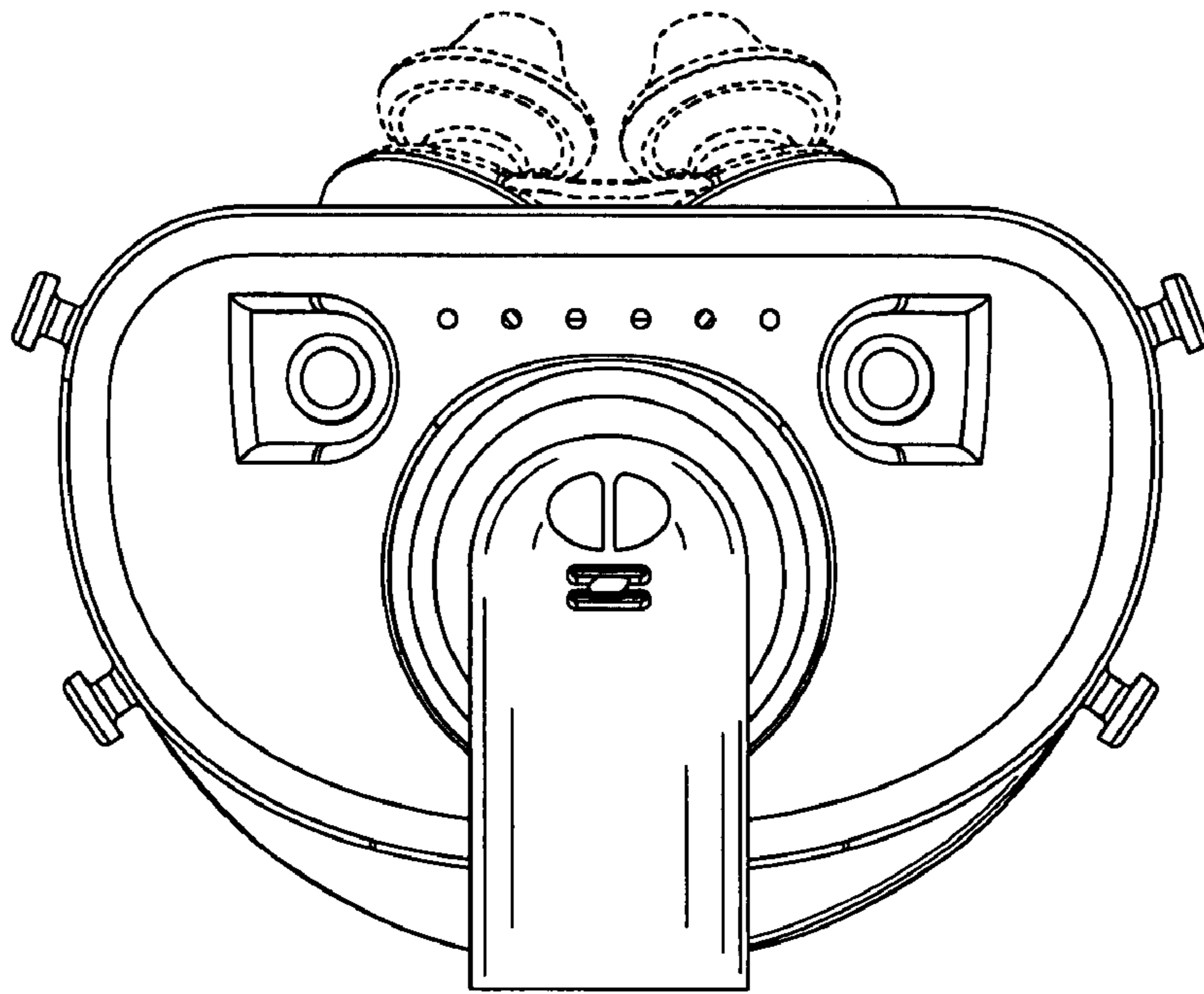


Fig. 4

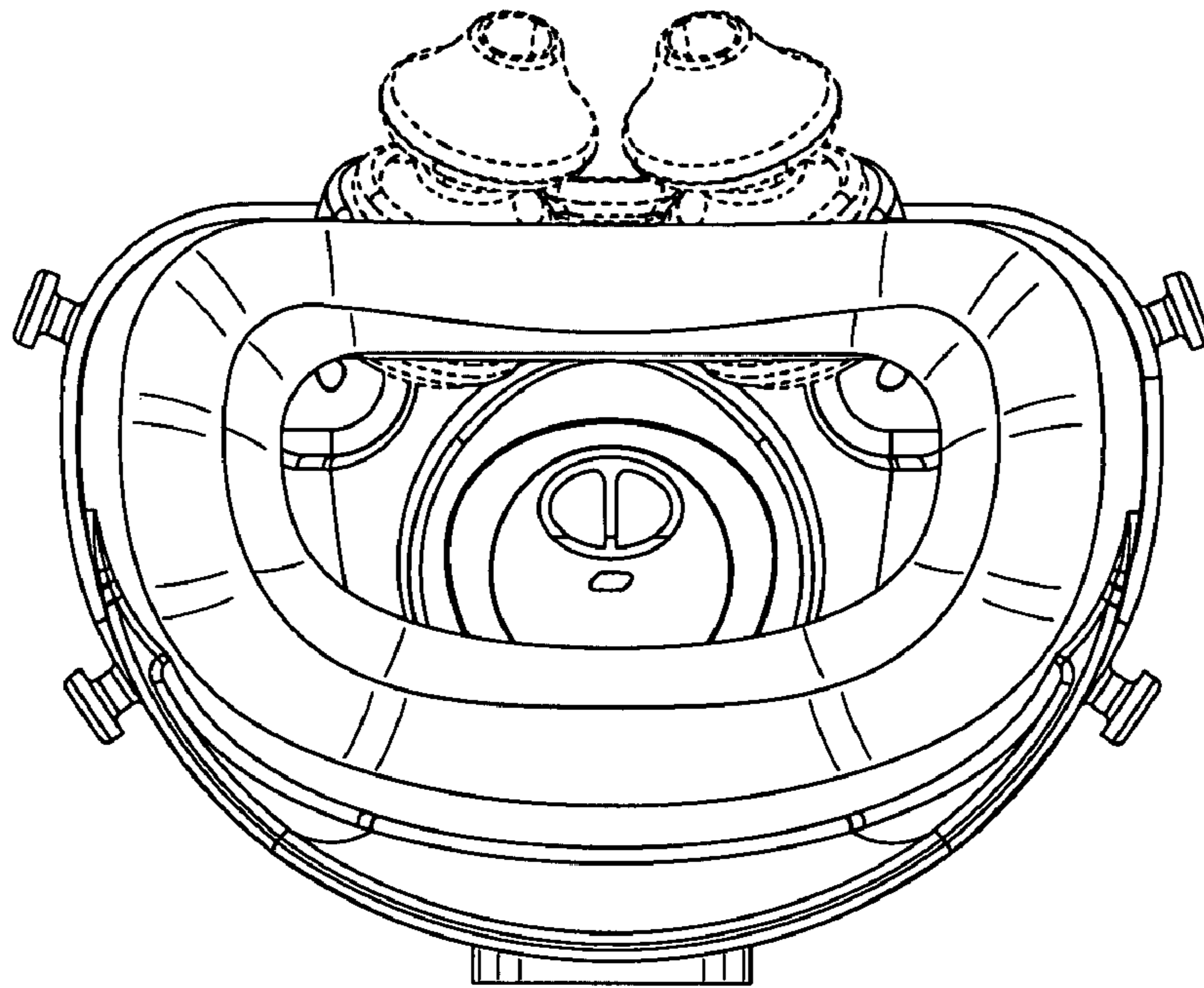


Fig. 5

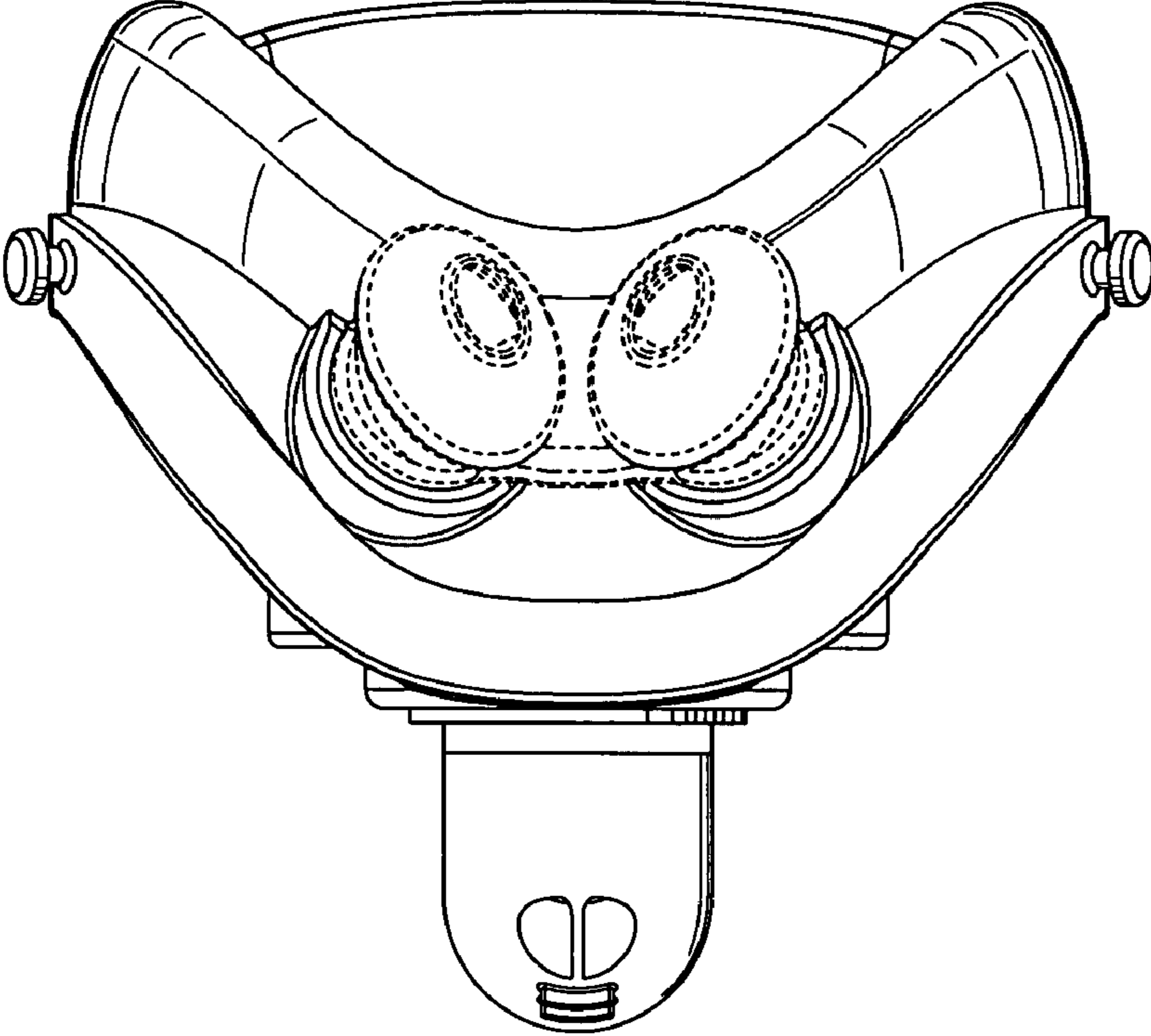


Fig. 6

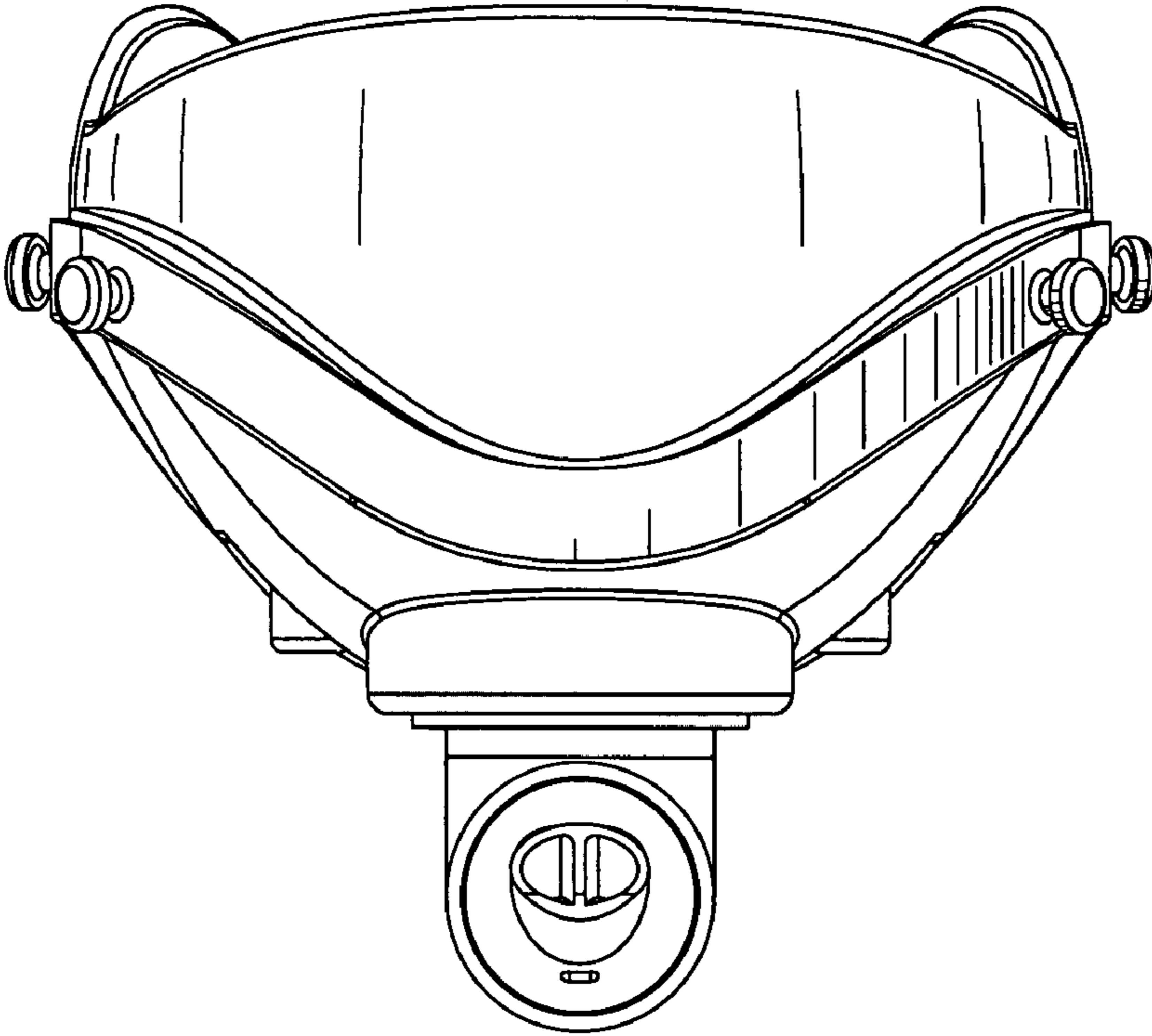


Fig. 7