



US00D586909S

(12) **United States Design Patent**
Selvarajan et al.

(10) **Patent No.:** **US D586,909 S**
(45) **Date of Patent:** **** Feb. 17, 2009**

(54) **ANTI-ASPHYXIA VALVE CLIP FOR RESPIRATORY MASK**

D548,332 S * 8/2007 Hitchcock et al. D24/110.1
FOREIGN PATENT DOCUMENTS

(75) Inventors: **Karthikeyan Selvarajan**, Gosford (AU);
Joshua Adam Gudiksen, Picton (AU)

WO WO 2005/051468 6/2005

OTHER PUBLICATIONS

(73) Assignee: **ResMed Limited**, Bella Vista (AU)

U.S. Appl. No. 29/251,708, filed Jan. 12, 2006, Hitchcock et al.
U.S. Appl. No. 29/261,579, filed Jun. 16, 2006, Selvarajan et al.
U.S. Appl. No. 29/273,590, filed Mar. 9, 2007, Hitchcock et al.

(**) Term: **14 Years**

* cited by examiner

(21) Appl. No.: **29/268,762**

Primary Examiner—Ian Simmons

Assistant Examiner—Christopher Lee

(22) Filed: **Nov. 13, 2006**

(74) *Attorney, Agent, or Firm*—Nixon & Vanderhye P.C.

(51) **LOC (9) Cl.** **29-02**

(57) **CLAIM**

(52) **U.S. Cl.** **D24/110.1; D24/110.5**

(58) **Field of Classification Search** .. D24/110.1–110.5,
D24/129; D29/102, 110, 122; 2/8, 9, 424;
128/205.25, 206.21, 206.26, 206.27, 207.11,
128/207.13, 207.17

The ornamental design for an anti-asphyxia valve clip for a respiratory mask, as shown.

See application file for complete search history.

DESCRIPTION

(56) **References Cited**

FIG. 1 is a front perspective view of an anti-asphyxia valve clip for a respiratory mask according to our design;

FIG. 2 is a reverse perspective view thereof;

U.S. PATENT DOCUMENTS

D365,666	S	12/1995	Gumpp
6,467,483	B1	10/2002	Kopacko
D468,823	S	1/2003	Smart
6,662,803	B2	12/2003	Gradon
6,691,707	B1	2/2004	Gunaratnam
D496,098	S	9/2004	Guney et al.
6,851,425	B2	2/2005	Jaffre et al.
6,907,882	B2	6/2005	Ging

FIG. 3 is a front view thereof;

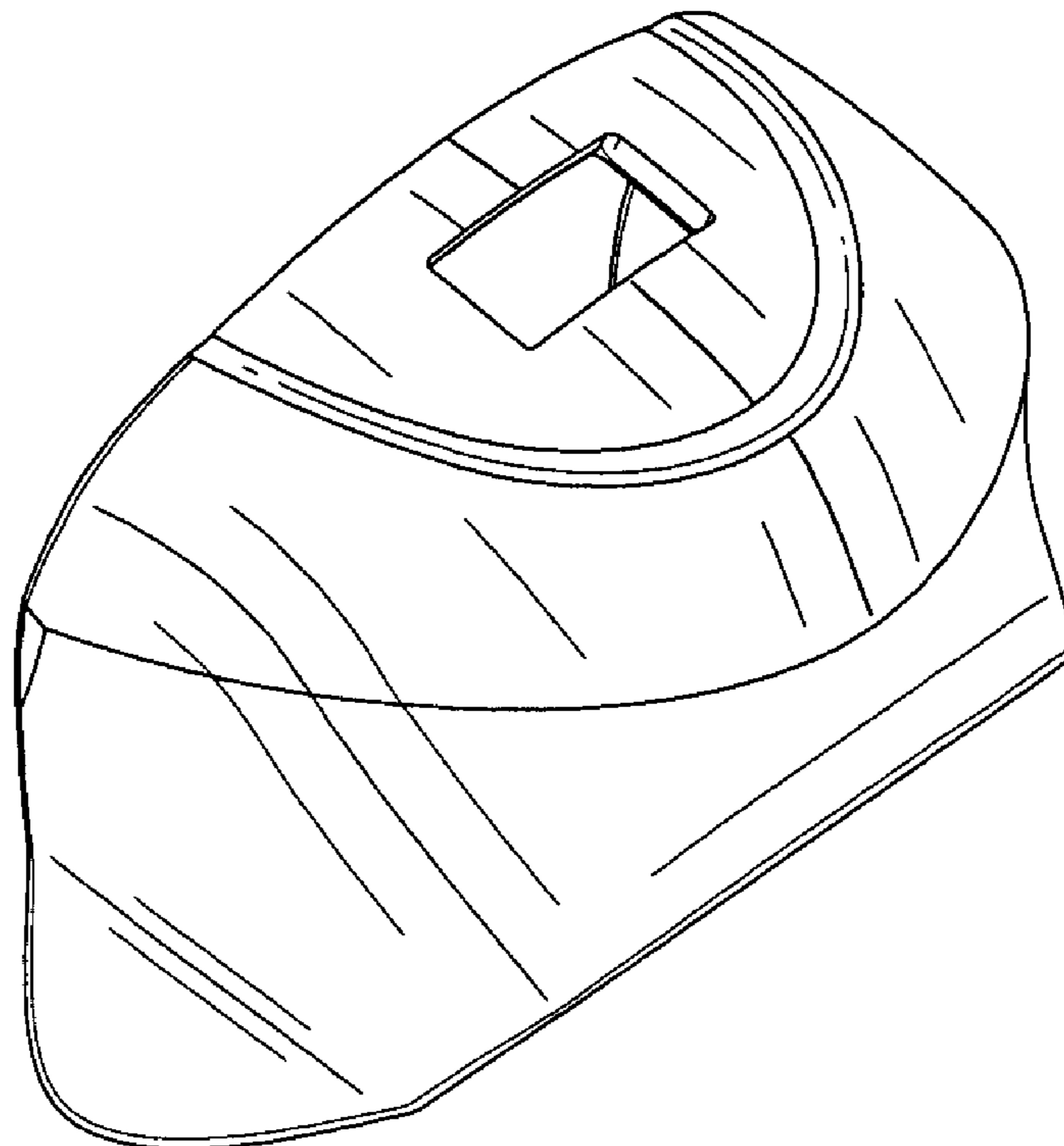
FIG. 4 is a rear view thereof;

FIG. 5 is a top view thereof;

FIG. 6 is a bottom view thereof; and,

FIG. 7 is a right side view thereof with the left side view being a mirror image thereof.

1 Claim, 3 Drawing Sheets



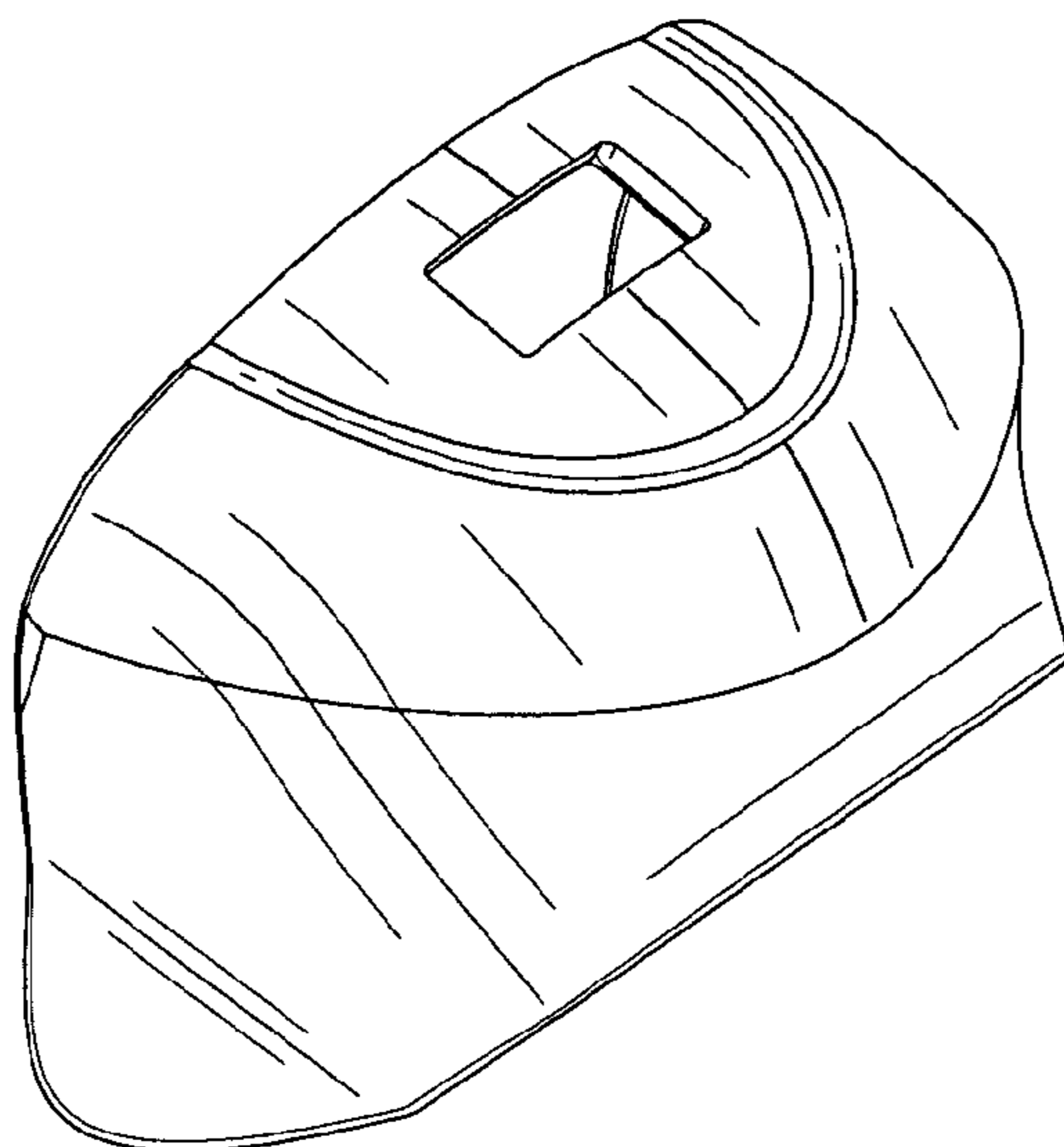


Fig. 1

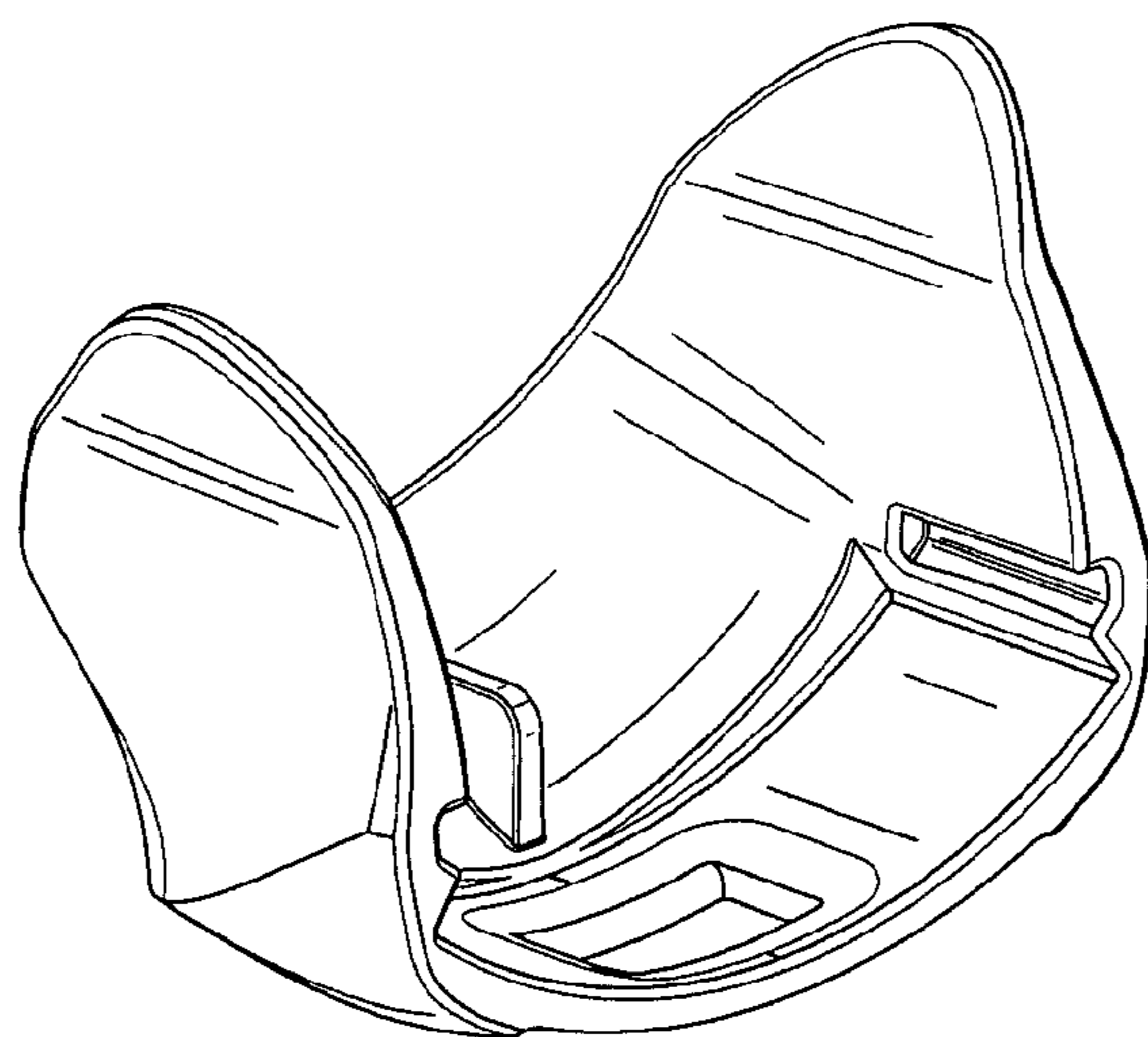


Fig. 2

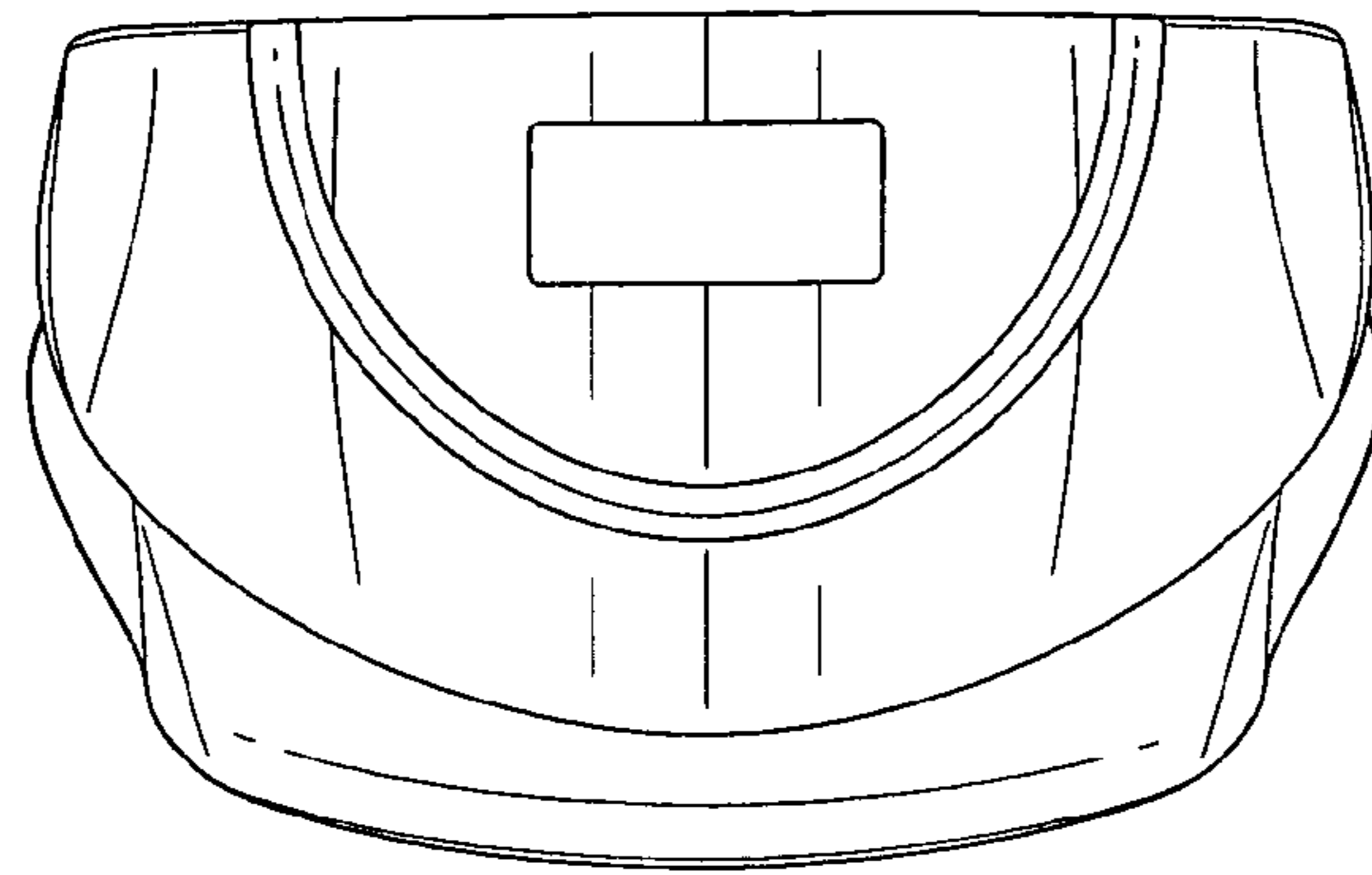


Fig. 3

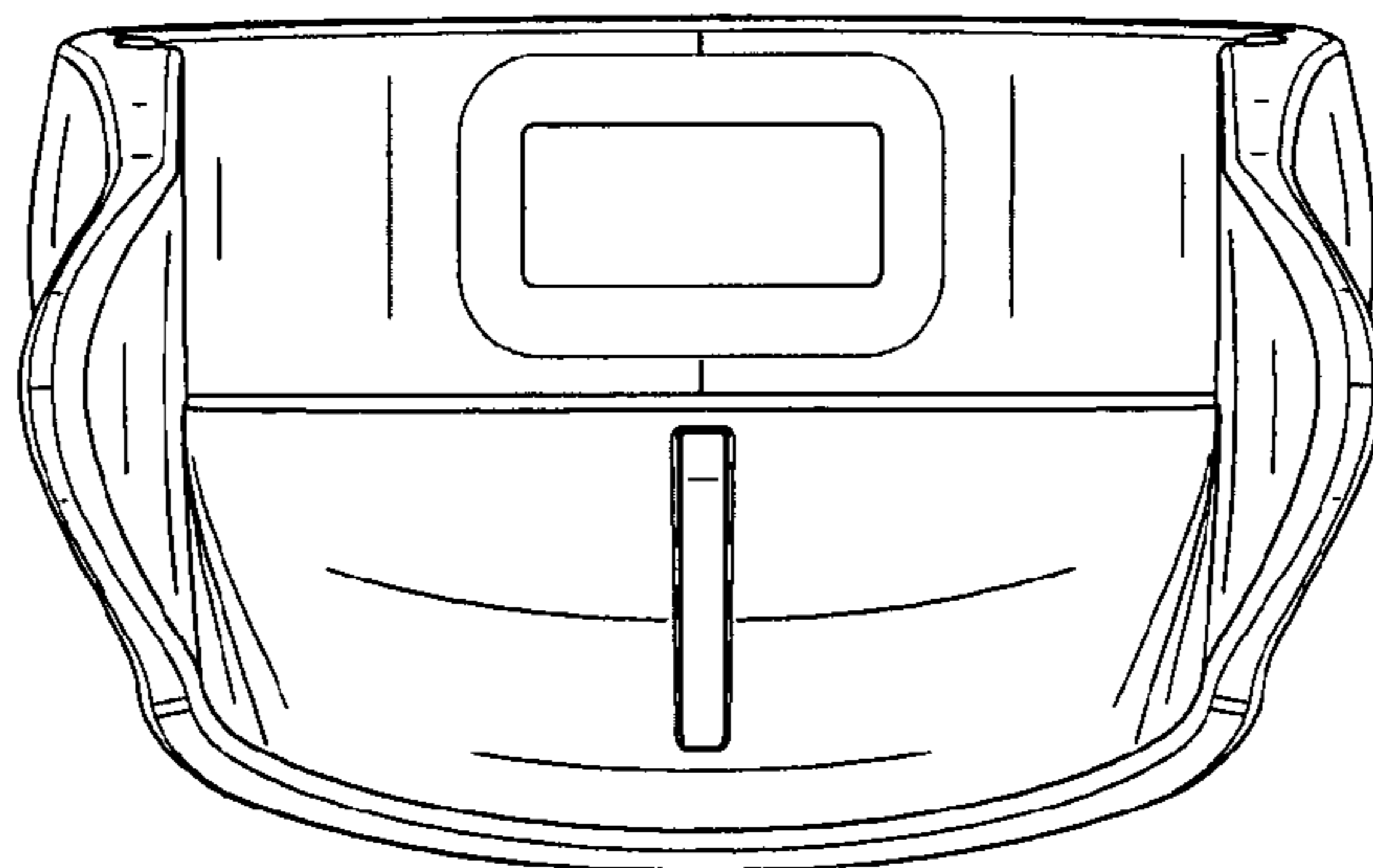


Fig. 4

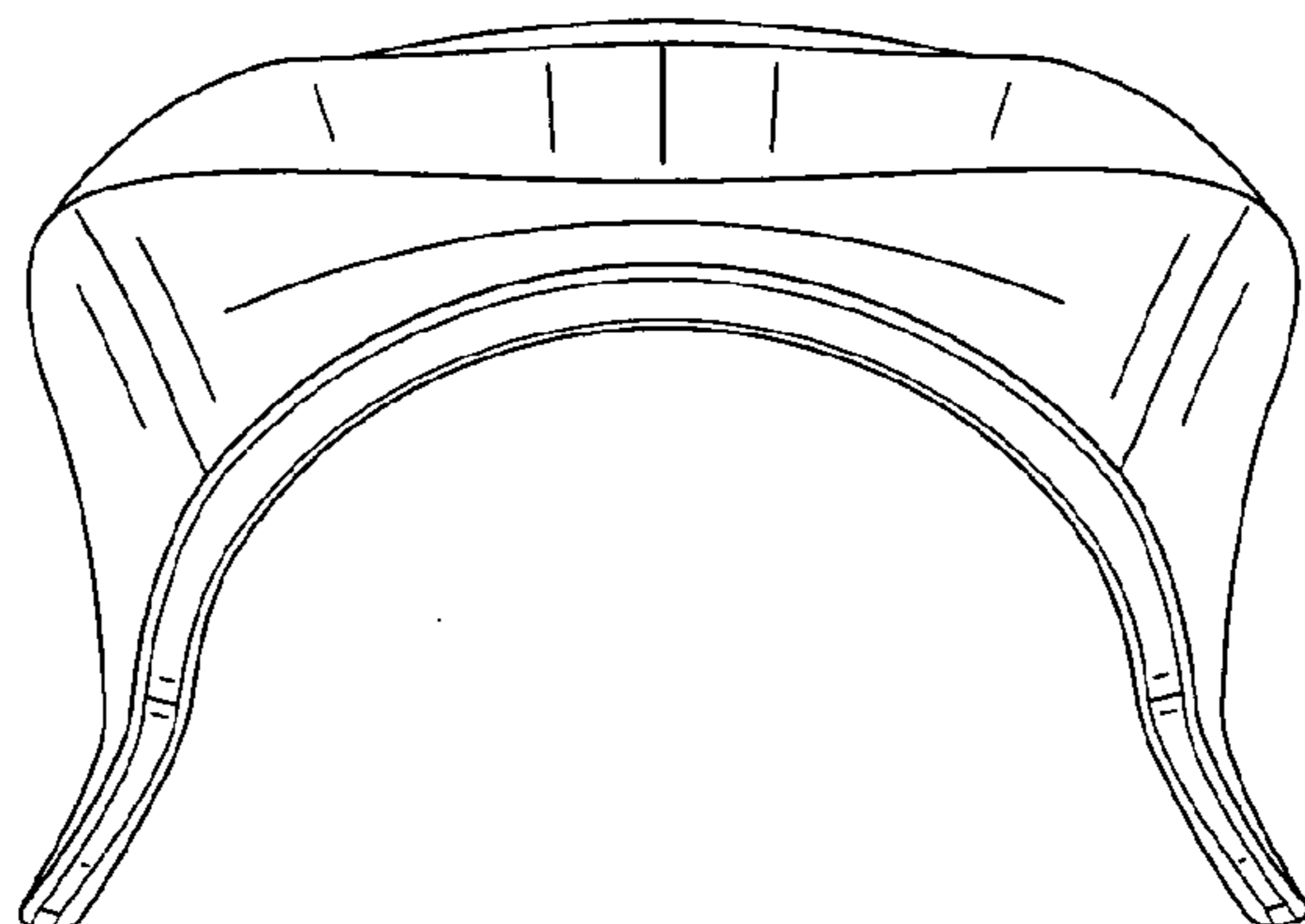


Fig. 5

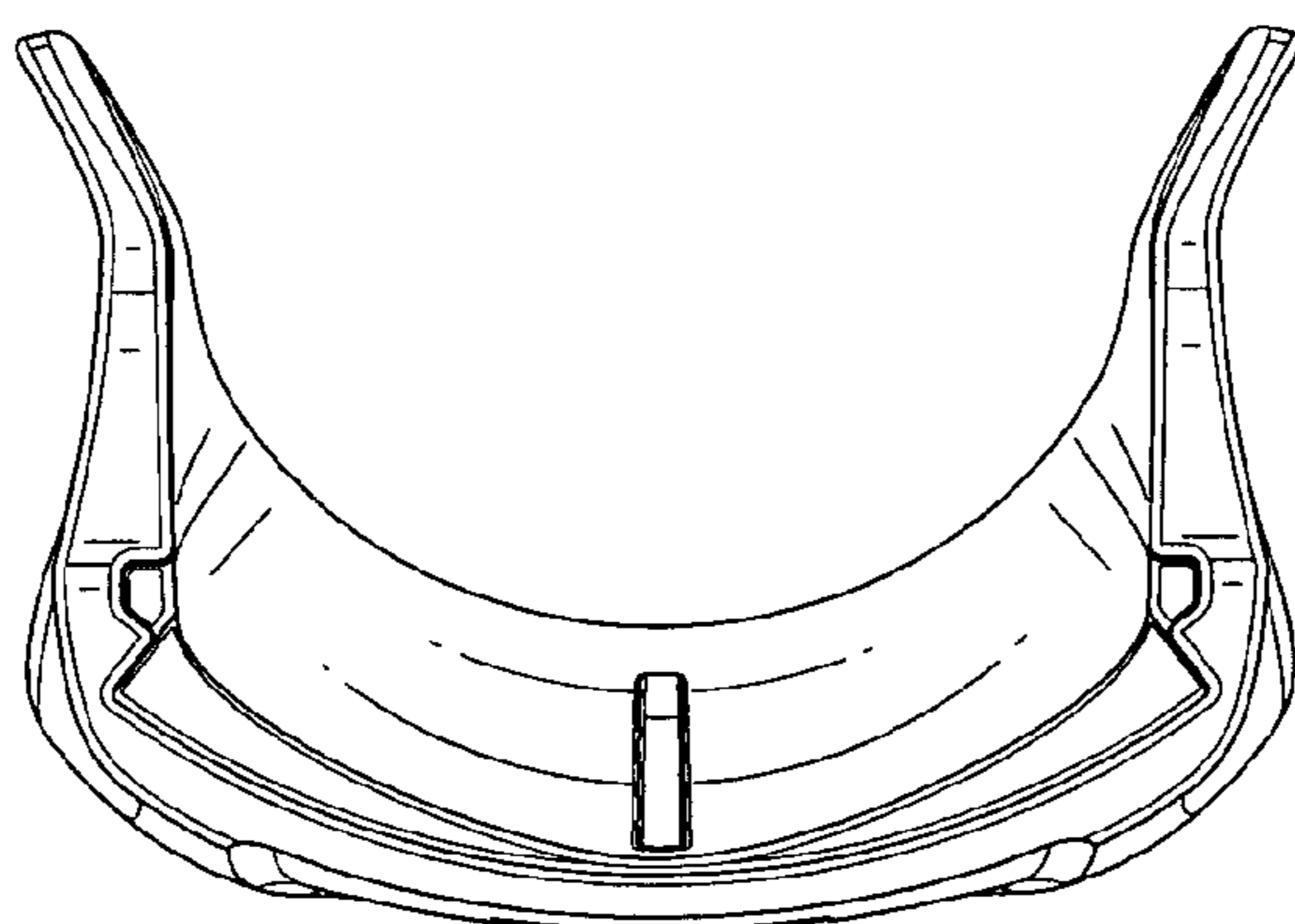


Fig. 6

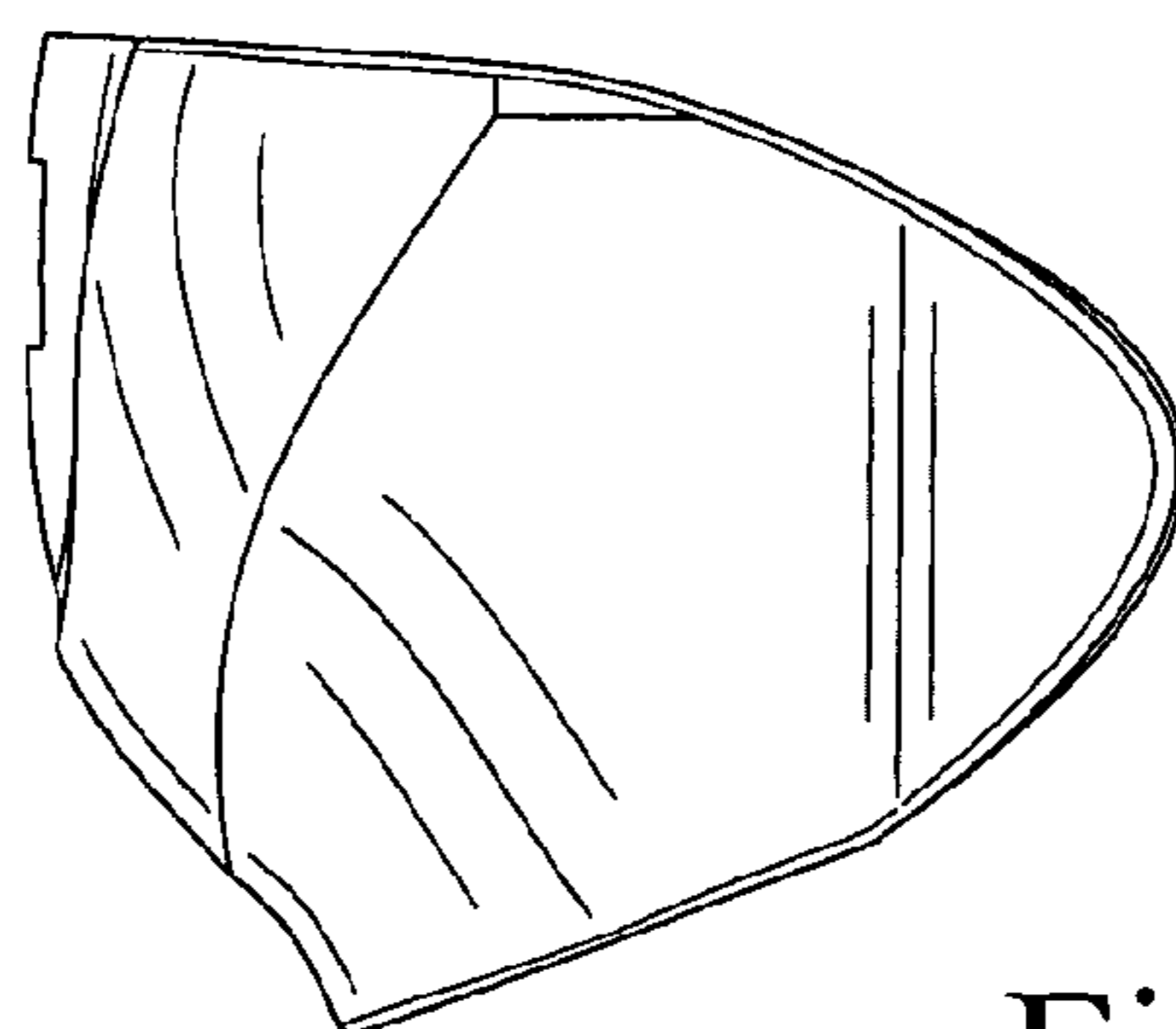


Fig. 7