



US00D586908S

(12) **United States Design Patent**  
**Stallard et al.**

(10) **Patent No.:** **US D586,908 S**  
(45) **Date of Patent:** **\*\* Feb. 17, 2009**

(54) **VENT FOR RESPIRATORY MASK**  
(75) Inventors: **Philip Thomas Stallard**, Denistone East (AU); **Scott Alexander Howard**, Harbord (AU); **Susan Robyn Lynch**, Epping (AU); **Murray William Lee**, Quakers Hills (AU); **Melanie Lucia Cariola**, Epping (AU)  
(73) Assignee: **ResMed Limited**, Bella Vista (AU)  
(\*\*) Term: **14 Years**  
(21) Appl. No.: **29/268,731**  
(22) Filed: **Nov. 13, 2006**  
(51) **LOC (9) Cl.** ..... **29-02**  
(52) **U.S. Cl.** ..... **D24/110.1; D24/110.4; D24/110.5**  
(58) **Field of Classification Search** .. D24/110.1-110.6; 128/205.25, 206.21, 206.26, 206.27, 207.11, 128/207.13, 204.18  
See application file for complete search history.

(56) **References Cited**  
**U.S. PATENT DOCUMENTS**  
D428,139 S 7/2000 Smart  
(Continued)  
**FOREIGN PATENT DOCUMENTS**  
WO 2005/018523 3/2005  
(Continued)  
**OTHER PUBLICATIONS**  
Stallard et al., U.S. Appl. No. 29/251,703, filed Jan. 12, 2006.  
(Continued)

*Primary Examiner*—Ian Simmons  
*Assistant Examiner*—Christopher Lee  
(74) *Attorney, Agent, or Firm*—Nixon & Vanderhye P.C.

(57) **CLAIM**

The ornamental design for a vent for a respiratory mask, as shown and described.

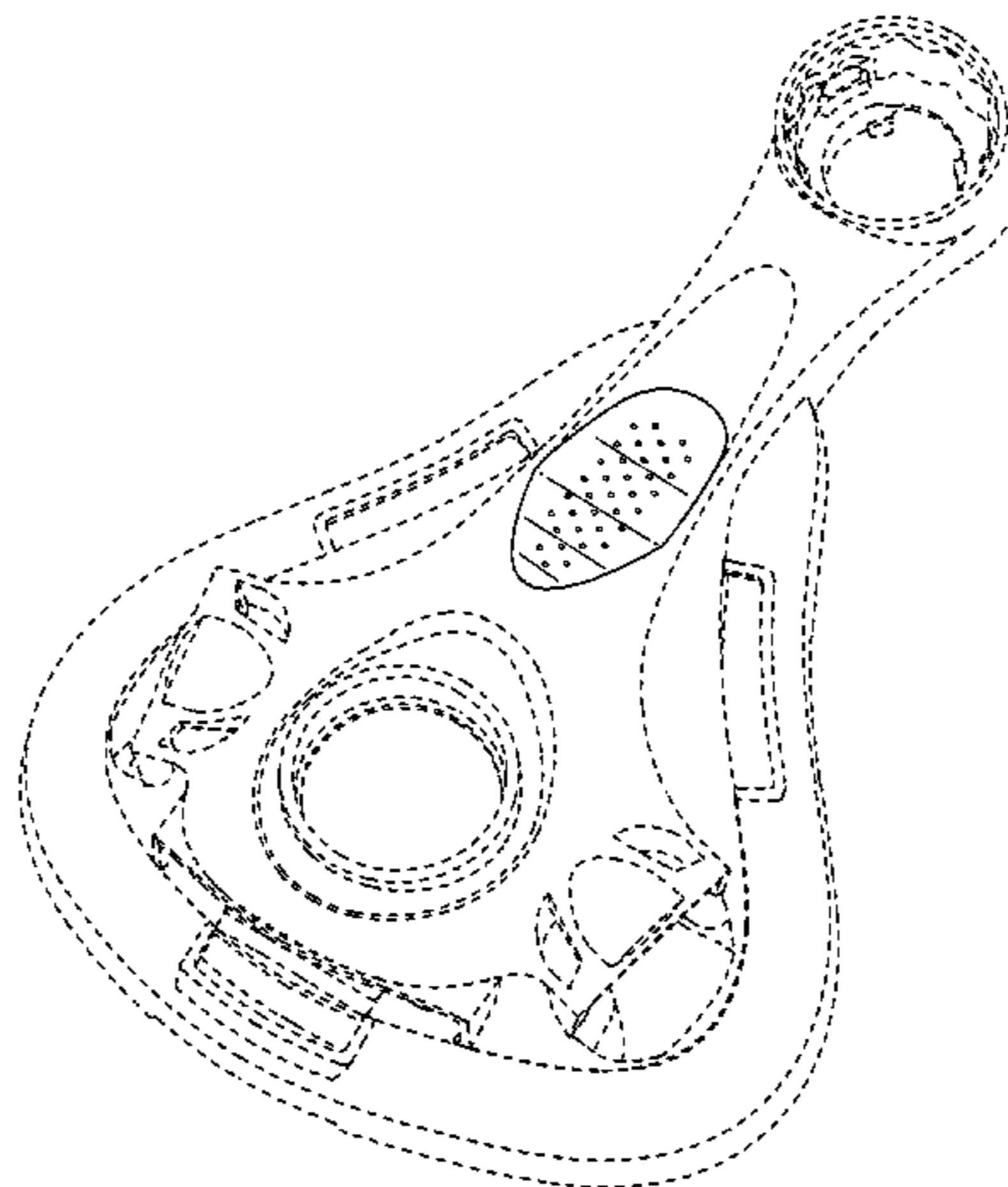
**DESCRIPTION**

FIG. 1 is a front perspective view of a vent for a respiratory mask according to an embodiment of our design;

FIG. 2 is a front view thereof;  
FIG. 3 is a rear view thereof;  
FIG. 4 is a top view thereof;  
FIG. 5 is a bottom view thereof;  
FIG. 6 is a right side view thereof, with the left side view thereof being a mirror image thereof;  
FIG. 7 is a rear perspective view thereof;  
FIG. 8 is a front perspective view of a vent for a respiratory mask according to an embodiment of our design;  
FIG. 9 is a front view thereof;  
FIG. 10 is a rear view thereof;  
FIG. 11 is a top view thereof;  
FIG. 12 is a bottom view thereof;  
FIG. 13 is a right side view thereof, with the left side view thereof being a mirror image thereof;  
FIG. 14 is a rear perspective view thereof;  
FIG. 15 is a front perspective view of a vent for a respiratory mask according to an embodiment of our design;  
FIG. 16 is a front view thereof;  
FIG. 17 is a rear view thereof;  
FIG. 18 is a top view thereof;  
FIG. 19 is a bottom view thereof;  
FIG. 20 is a right side view thereof, with the left side view thereof being a mirror image thereof;  
FIG. 21 is a rear perspective view thereof;  
FIG. 22 is a front perspective view of a vent for a respiratory mask according to an embodiment of our design;  
FIG. 23 is a front view thereof;  
FIG. 24 is a rear view thereof;  
FIG. 25 is a top view thereof;  
FIG. 26 is a bottom view thereof;  
FIG. 27 is a right side view thereof, with the left side view thereof being a mirror image thereof; and,  
FIG. 28 is a rear perspective view thereof.

Where included, broken lines represent environmental structure and do not form a part of the claimed design.

**1 Claim, 24 Drawing Sheets**



# US D586,908 S

Page 2

## U.S. PATENT DOCUMENTS

D430,663 S 9/2000 Smart  
6,374,826 B1 4/2002 Gunaratnam  
D459,800 S 7/2002 Smart  
D464,427 S 10/2002 Smart  
D464,728 S 10/2002 Paul  
D468,421 S 1/2003 Smart  
6,581,594 B1 6/2003 Drew  
6,584,975 B1 \* 7/2003 Taylor ..... 128/206.11  
D486,907 S 2/2004 Guney  
D493,221 S \* 7/2004 Smart ..... D24/110.4  
D493,885 S 8/2004 Raje  
6,823,865 B2 \* 11/2004 Drew et al. .... 128/204.18  
6,860,269 B2 3/2005 Kwok et al.  
D519,206 S \* 4/2006 Jones et al. .... D24/110.1  
D519,207 S 4/2006 Raje et al.  
D533,269 S \* 12/2006 McAuley et al. .... D24/110.6  
D534,274 S 12/2006 Smart  
D542,407 S \* 5/2007 Stallard et al. .... D24/110.1  
D550,351 S \* 9/2007 Kwok et al. .... D24/110.1

D558,334 S \* 12/2007 Stallard et al. .... D24/110.1  
D569,502 S \* 5/2008 Abel et al. .... D24/110.6  
2003/0005931 A1 1/2003 Jaffre  
2004/0118406 A1 6/2004 Lithgow et al.  
2005/0172969 A1 8/2005 Ging  
2006/0231103 A1 10/2006 Matula

## FOREIGN PATENT DOCUMENTS

WO WO 2005/021075 A1 3/2005  
WO 2005/032634 4/2005

## OTHER PUBLICATIONS

Stallard et al., U.S. Appl. No. 29/268,823, filed Nov. 14, 2006.  
Stallard et al., U.S. Appl. No. 29/240,923, filed Sep. 26, 2005.  
Stallard et al., U.S. Appl. No. 29/251,711, filed Jan. 12, 2006.  
Stallard et al., U.S. Appl. No. 29/272,801, filed Feb. 20, 2007.  
Chu et al., U.S. Appl. No. 29/261,578, filed Jun. 16, 2006.

\* cited by examiner

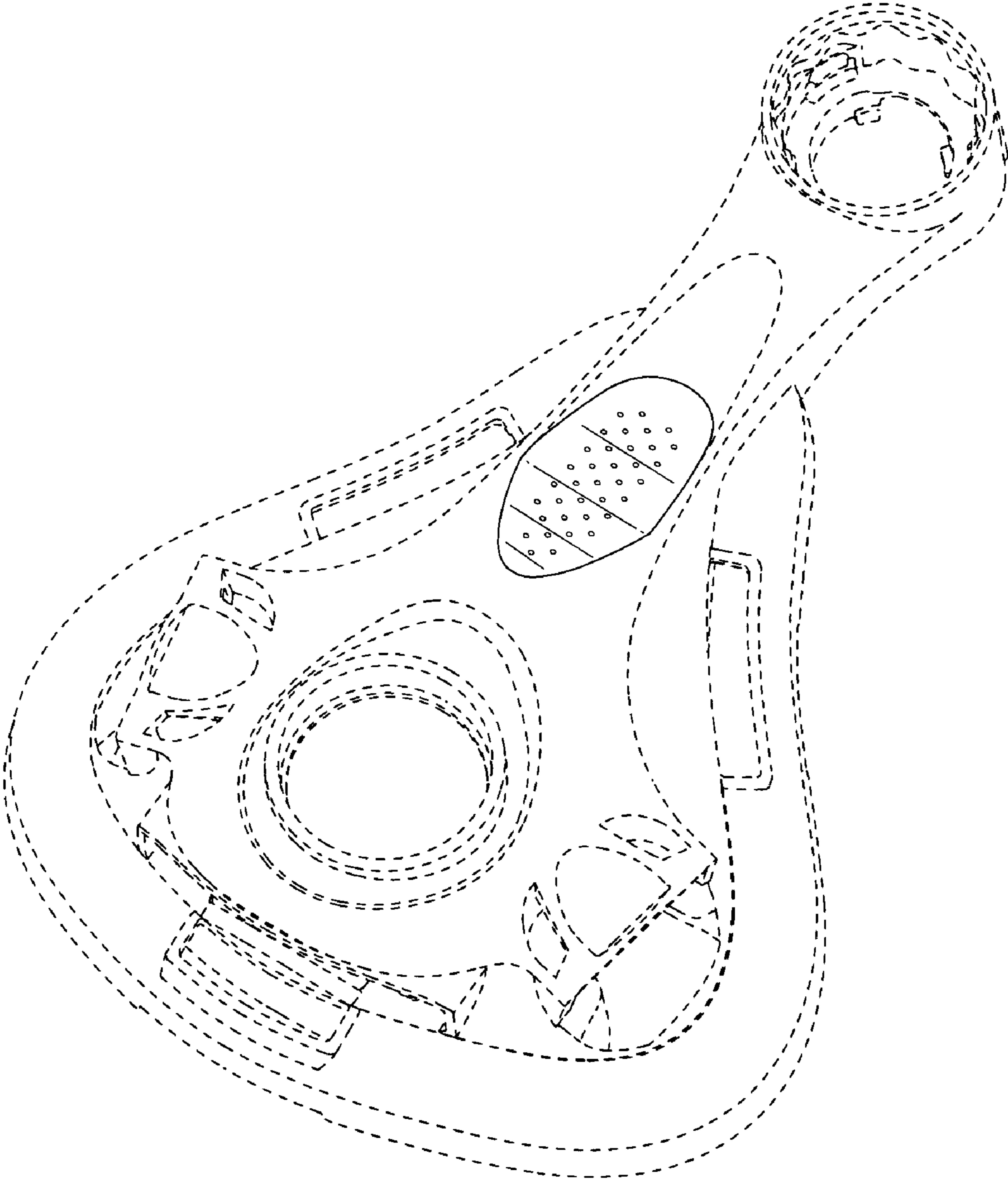


Fig. 1

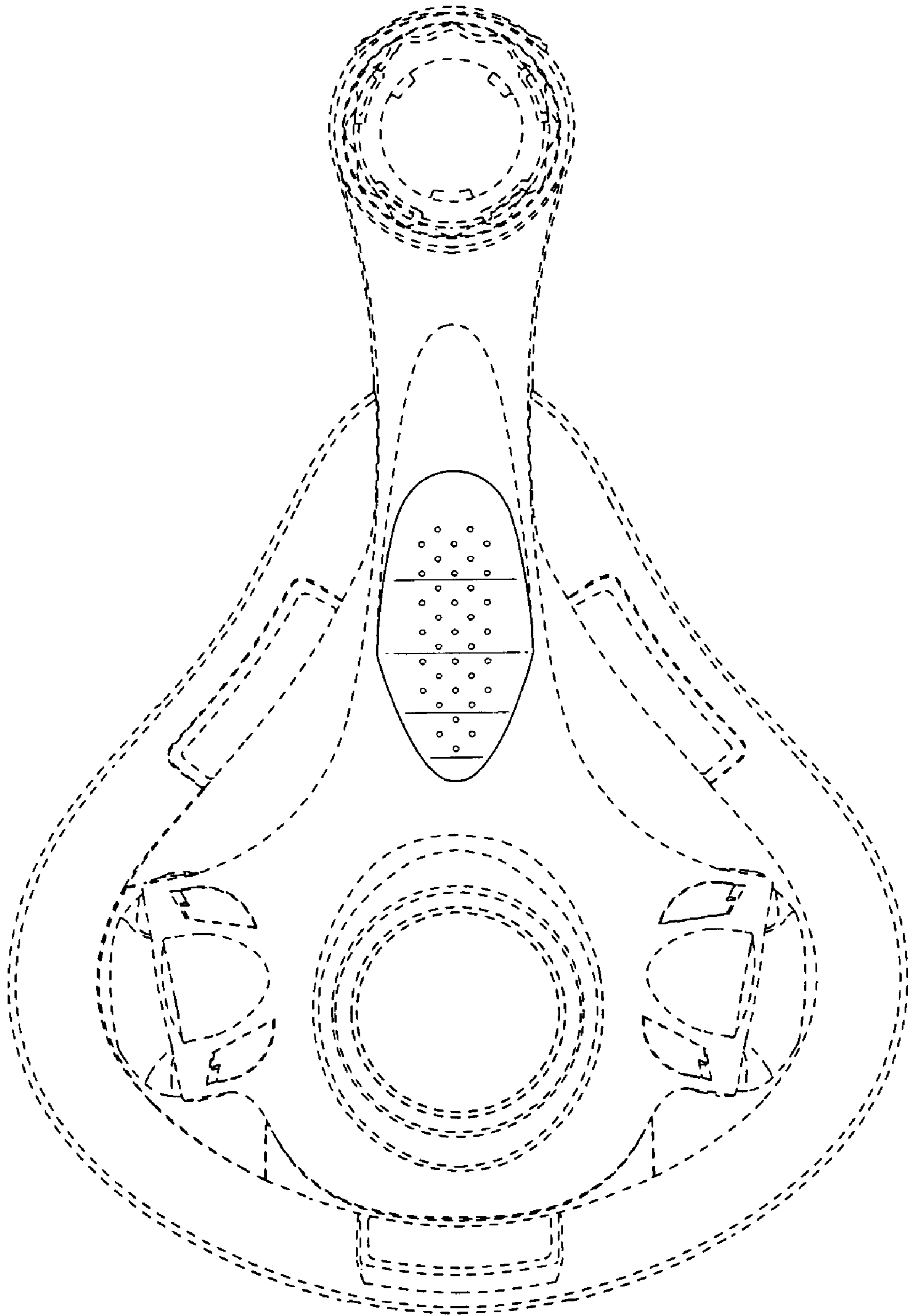


Fig. 2

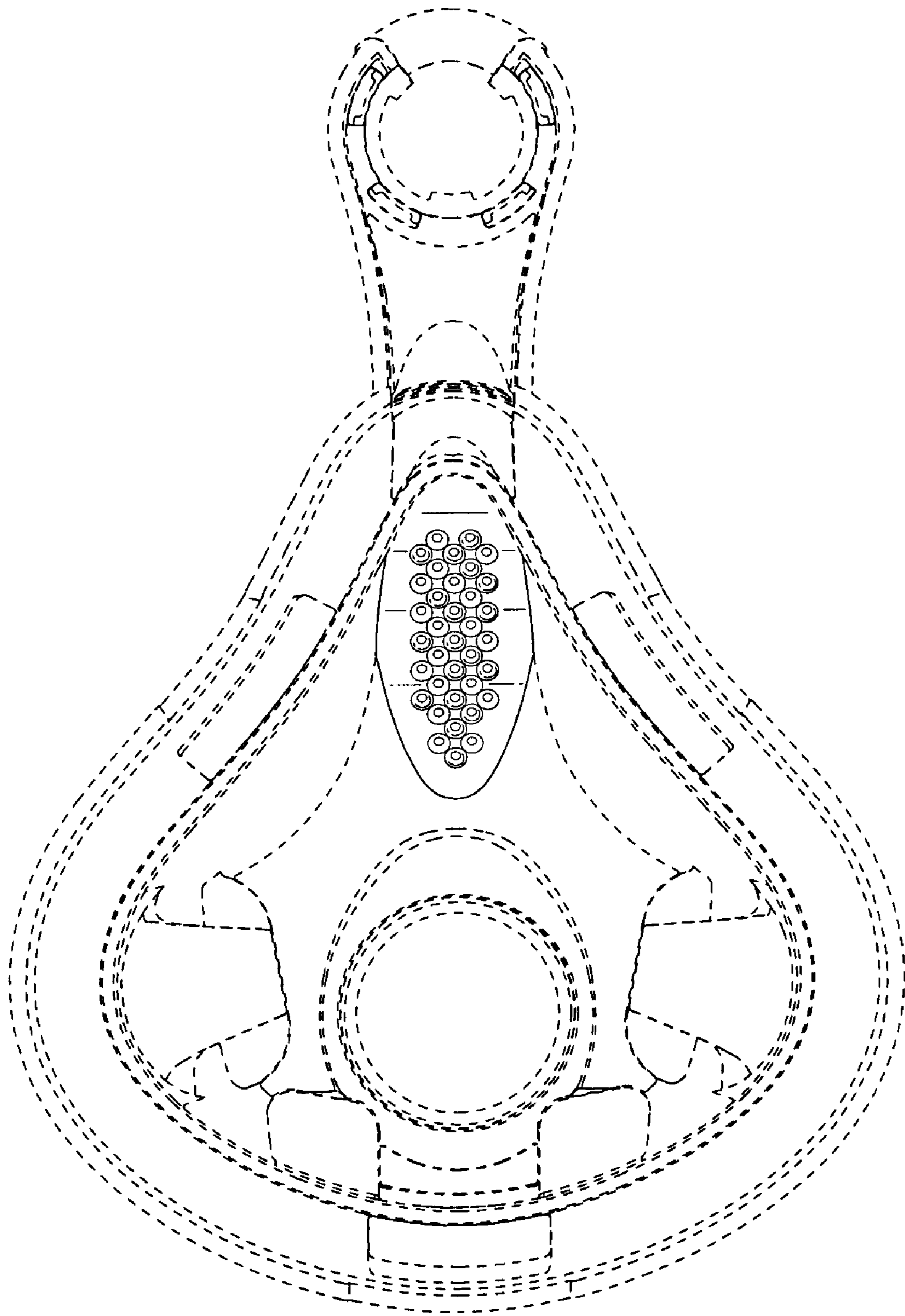


Fig. 3

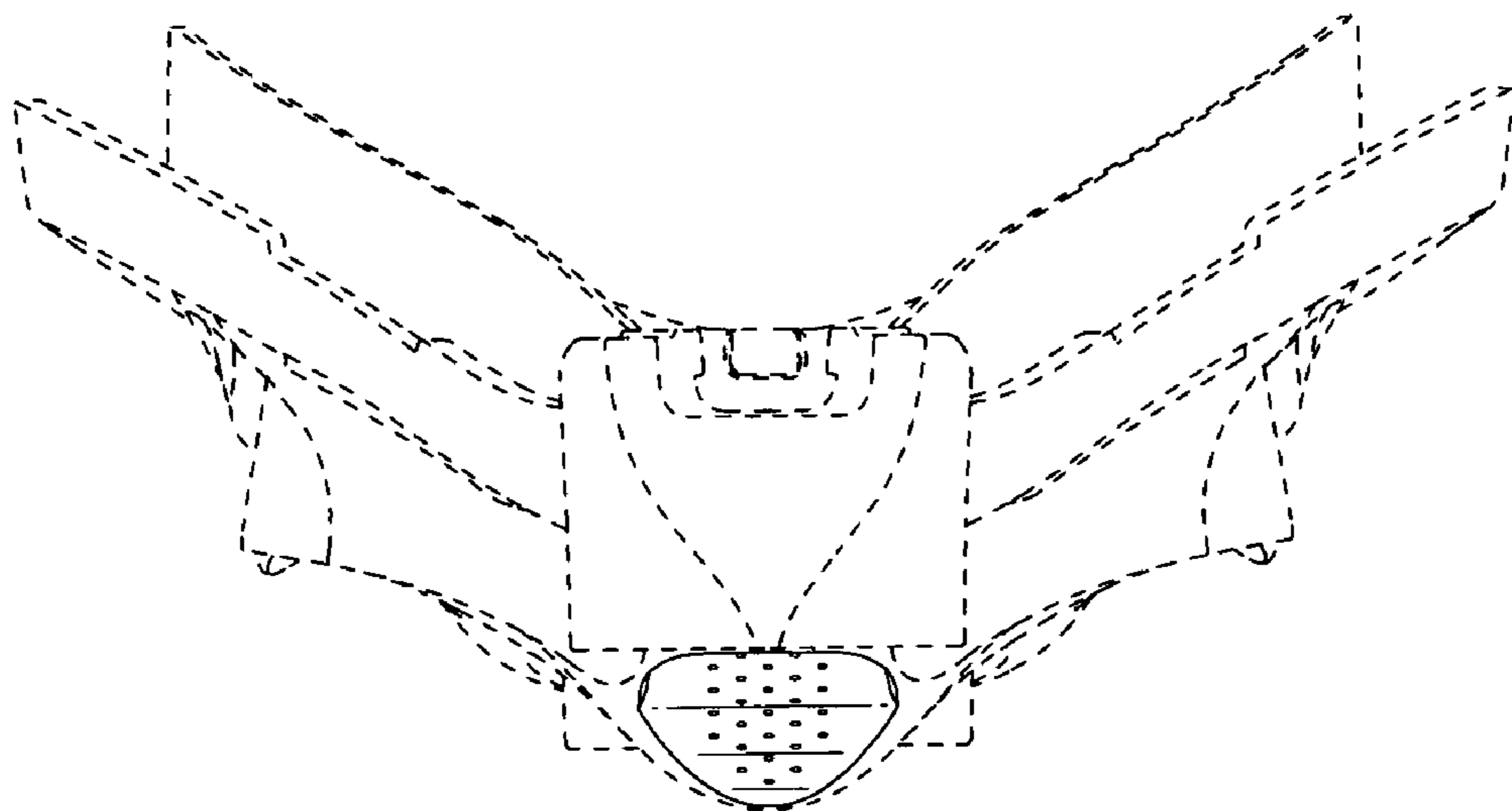


Fig. 4

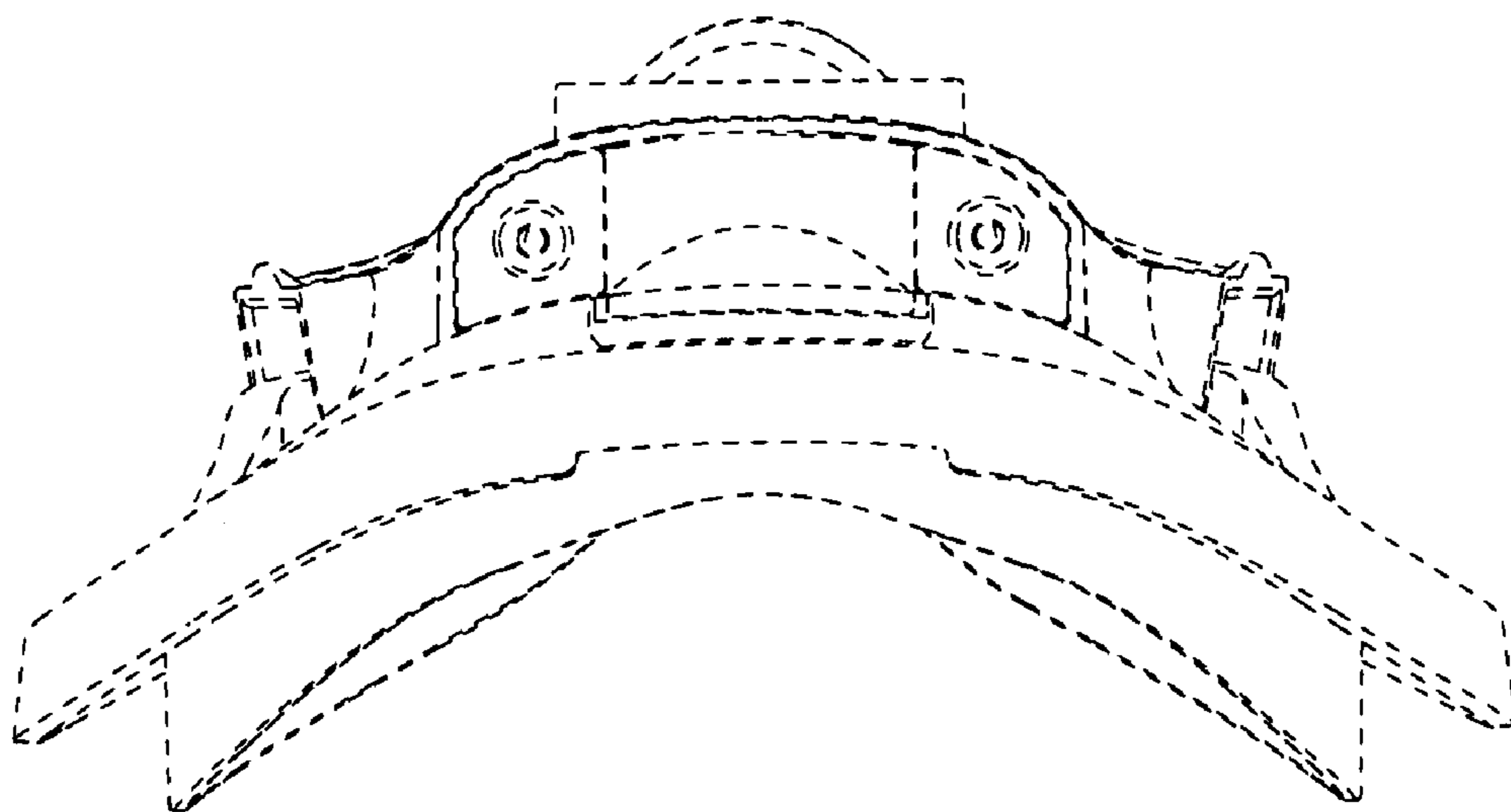


Fig. 5

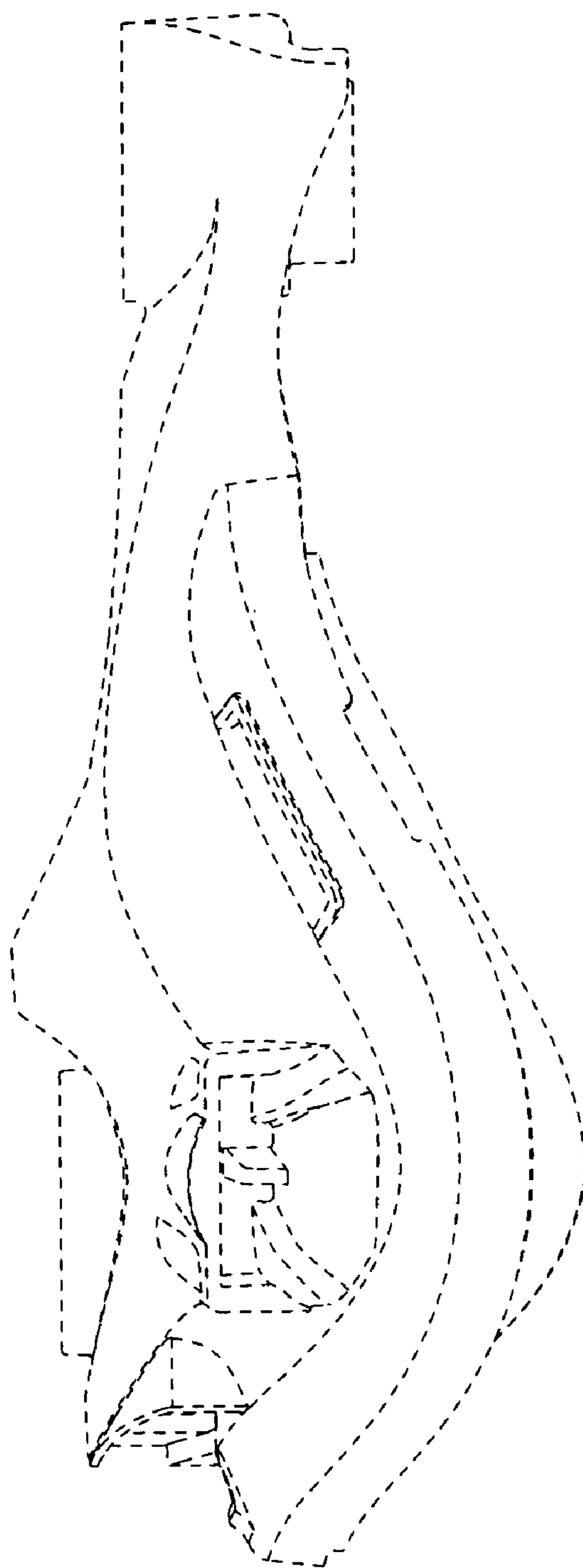


Fig. 6

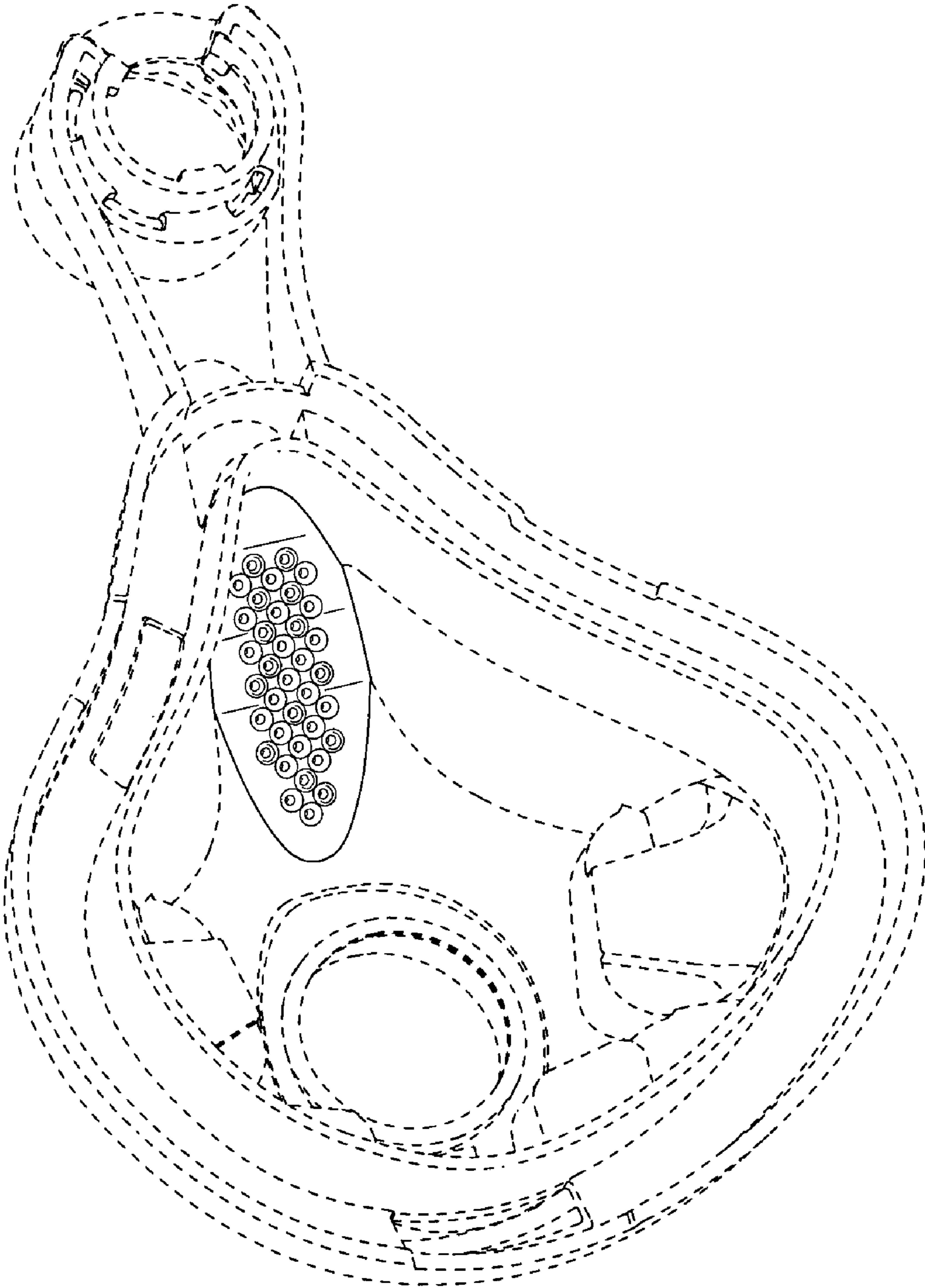


Fig. 7



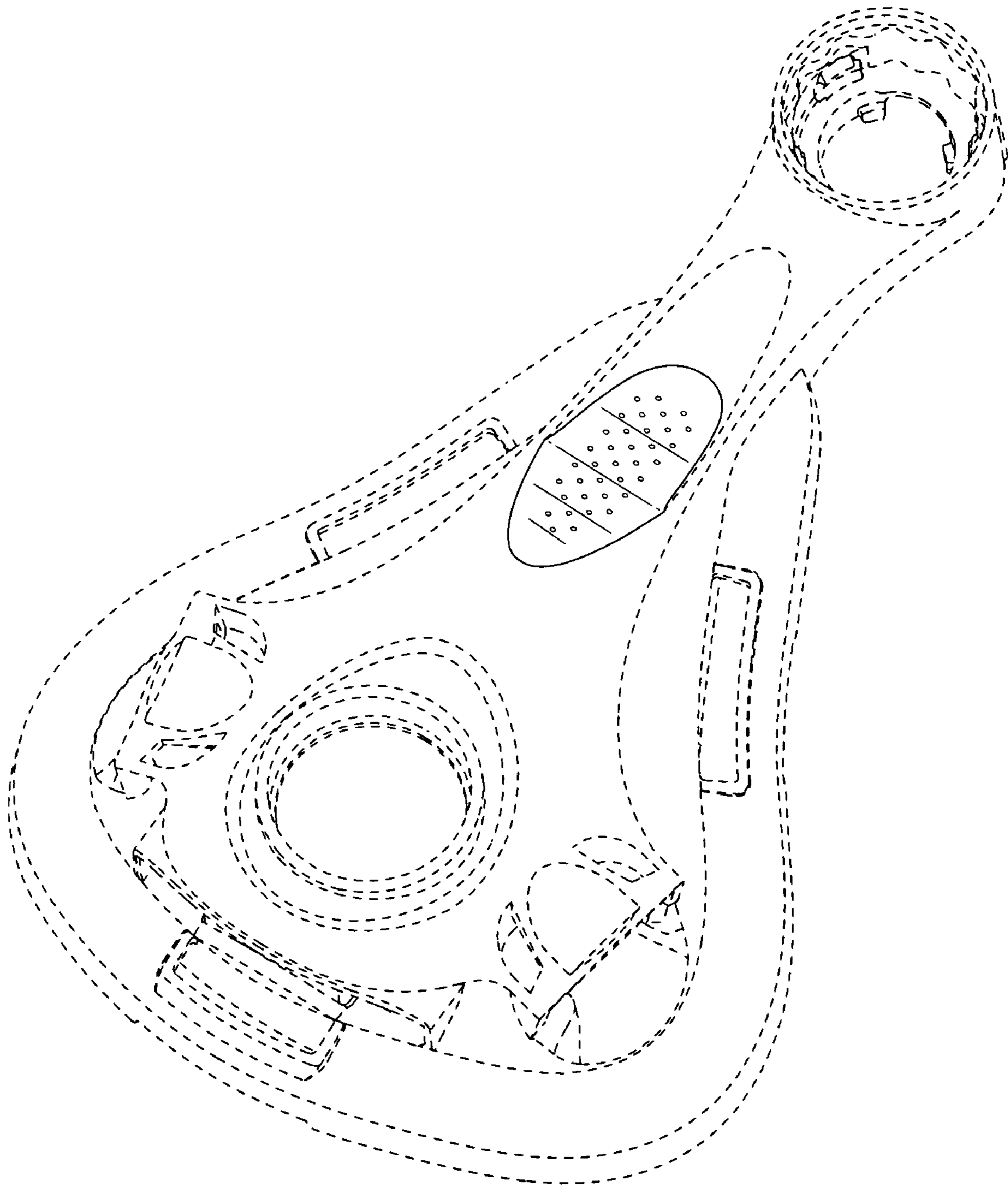


Fig. 8

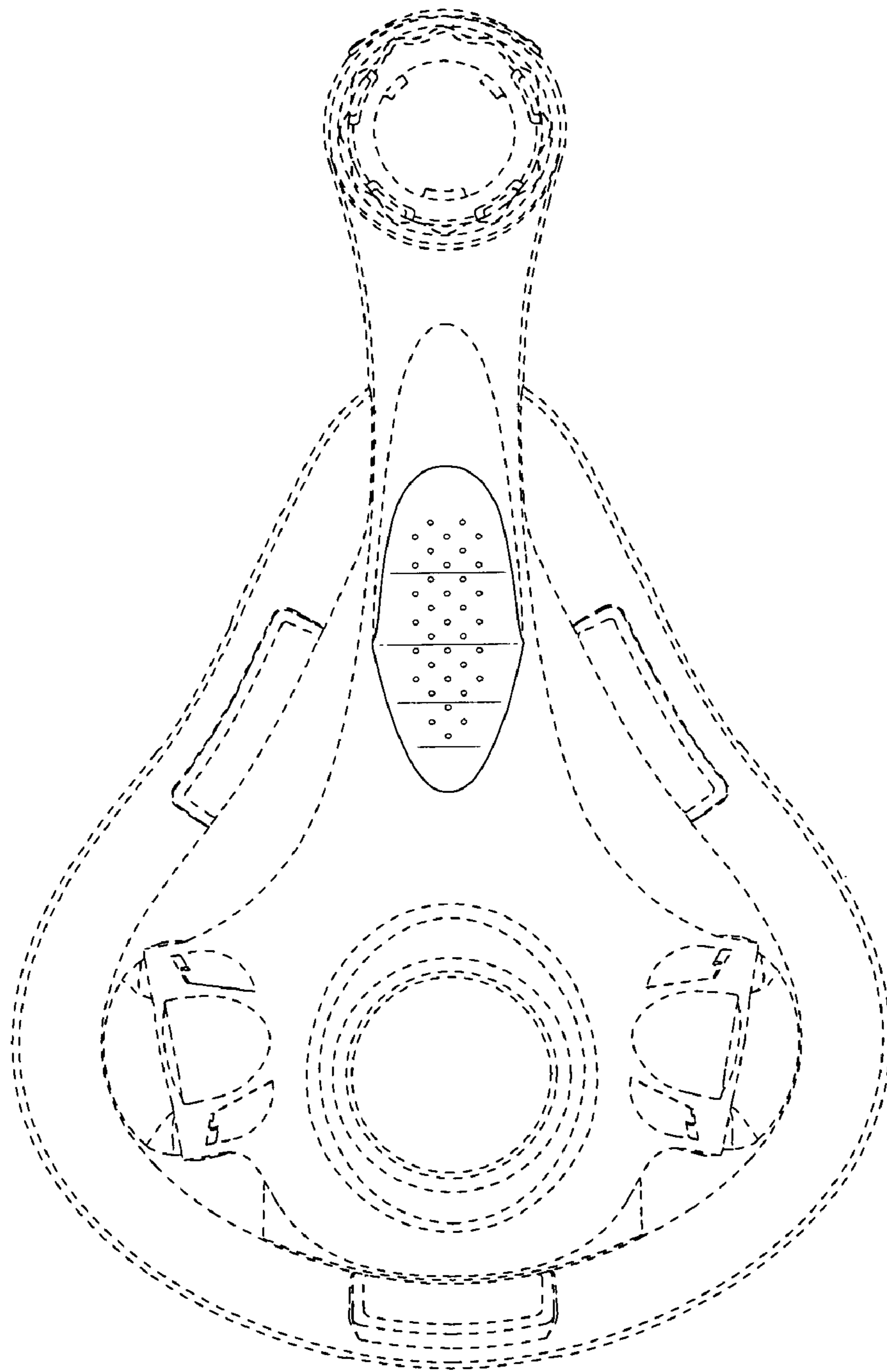


Fig. 9

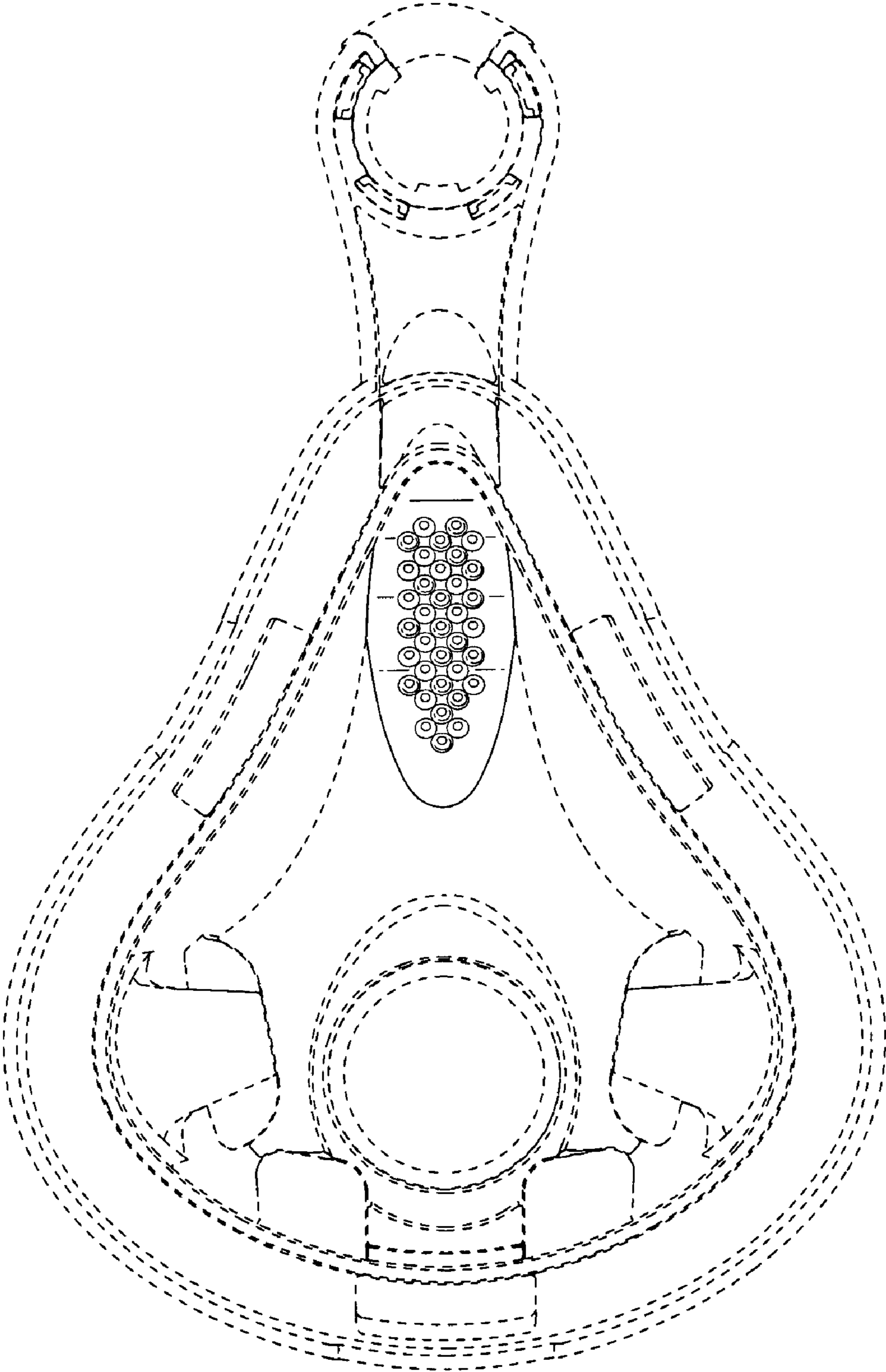


Fig. 10

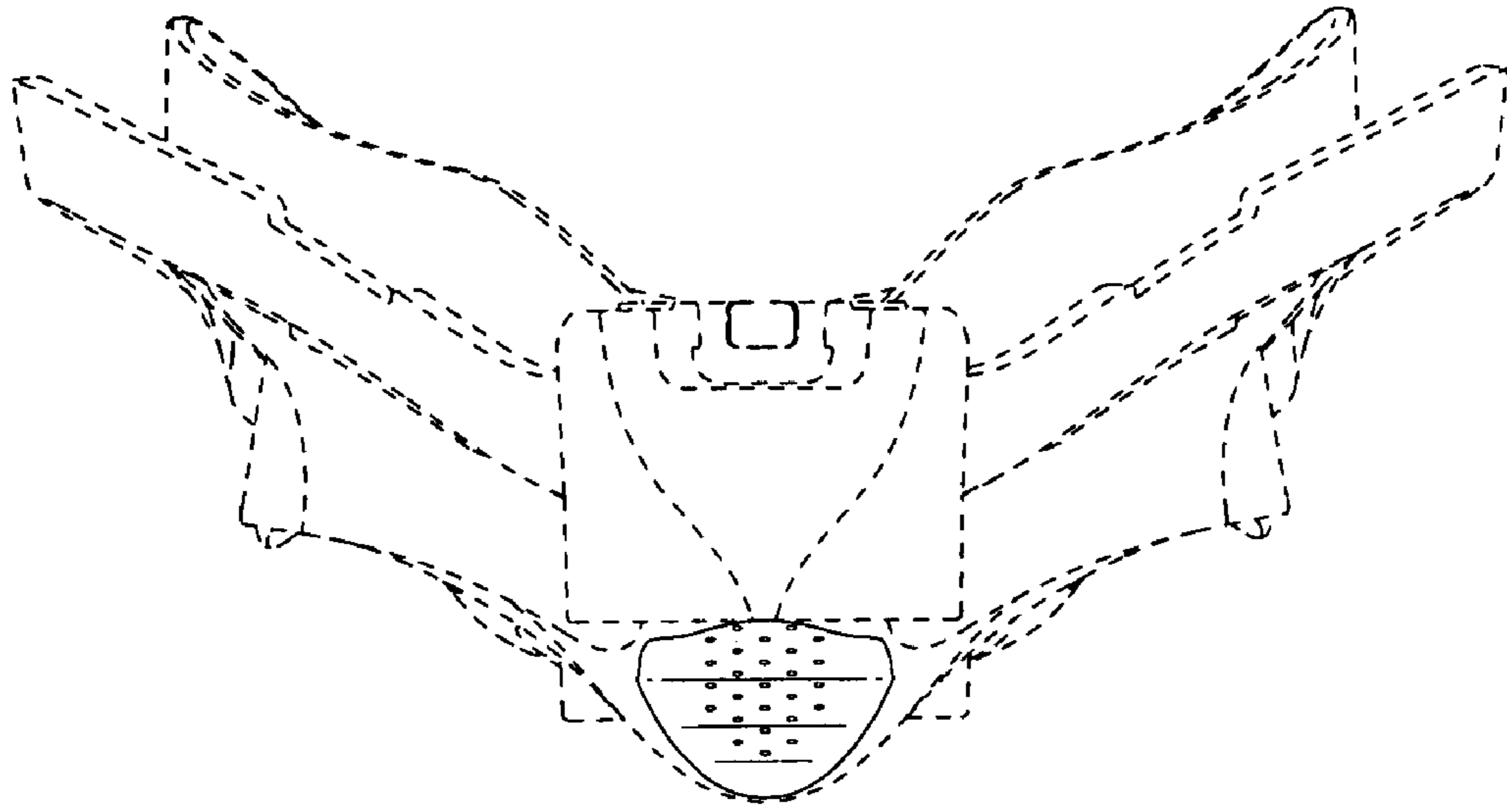


Fig. 11

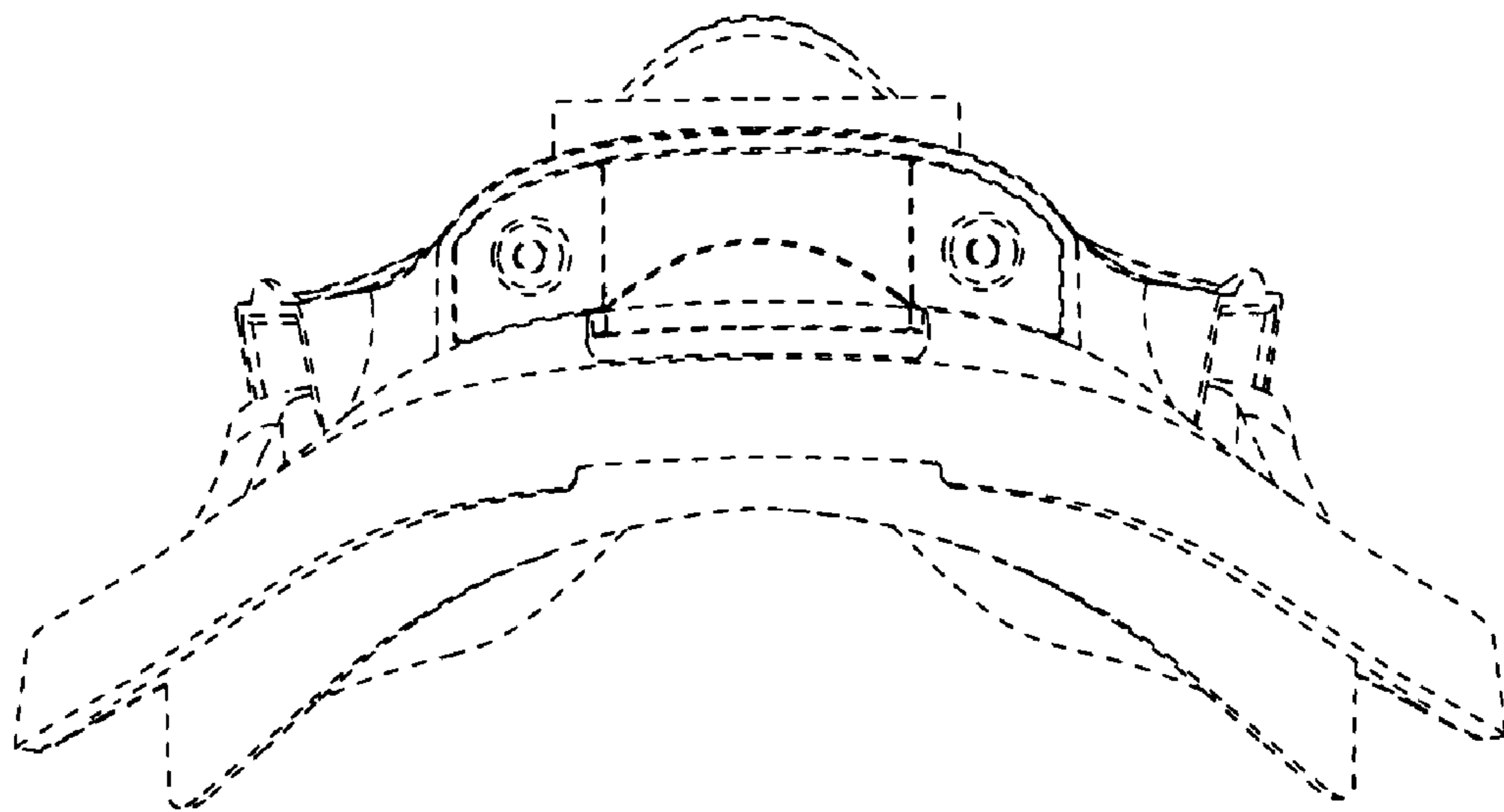


Fig. 12

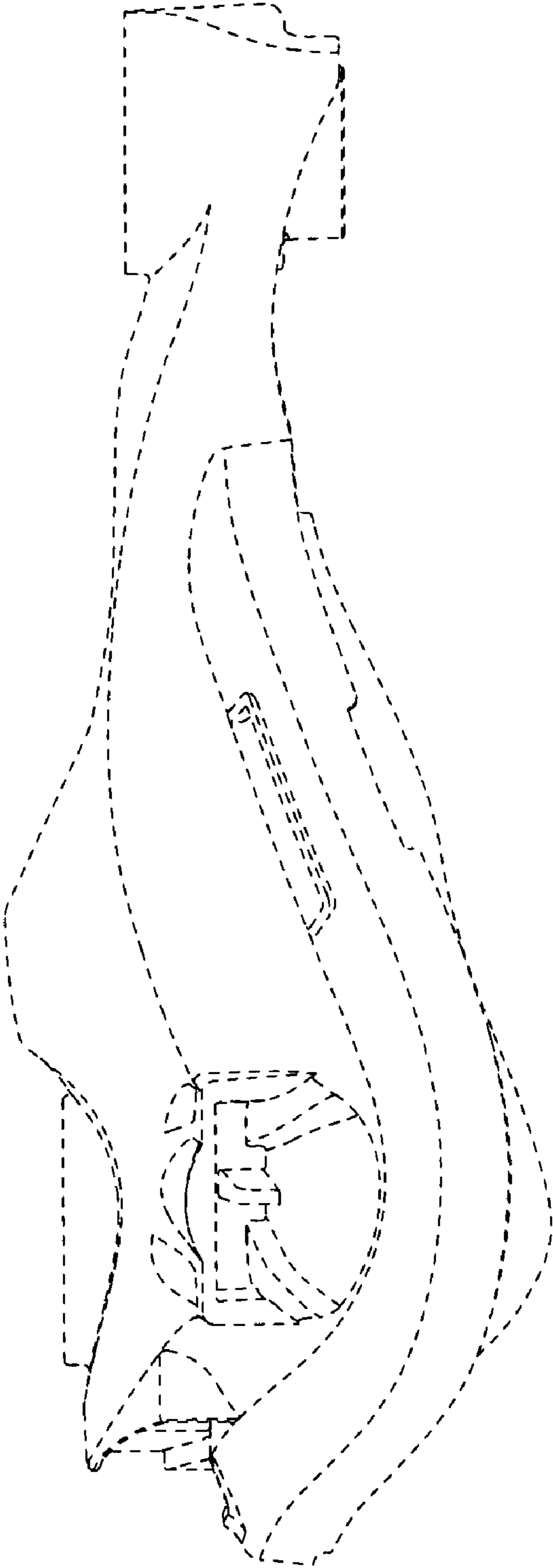


Fig. 13

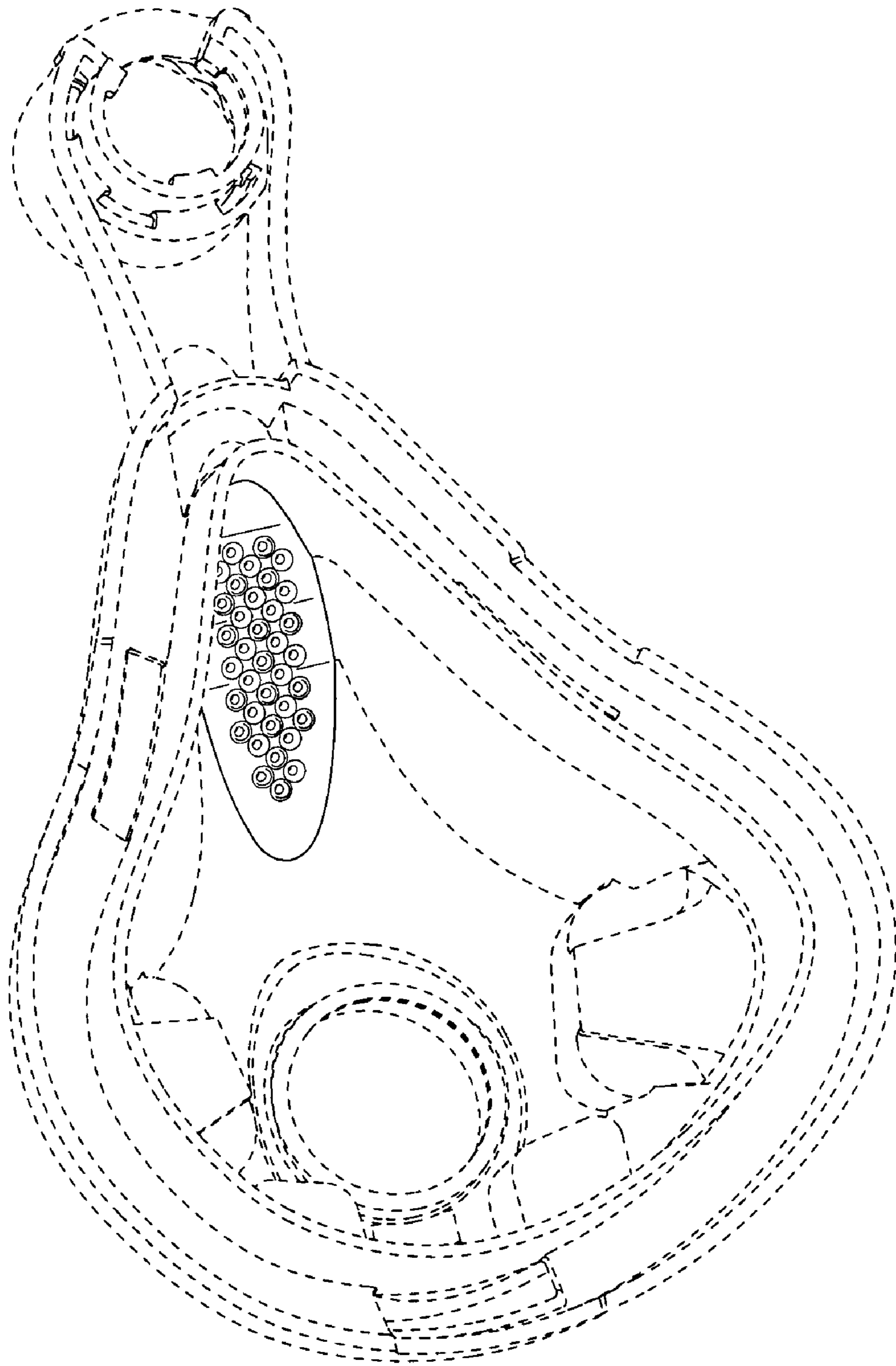


Fig. 14

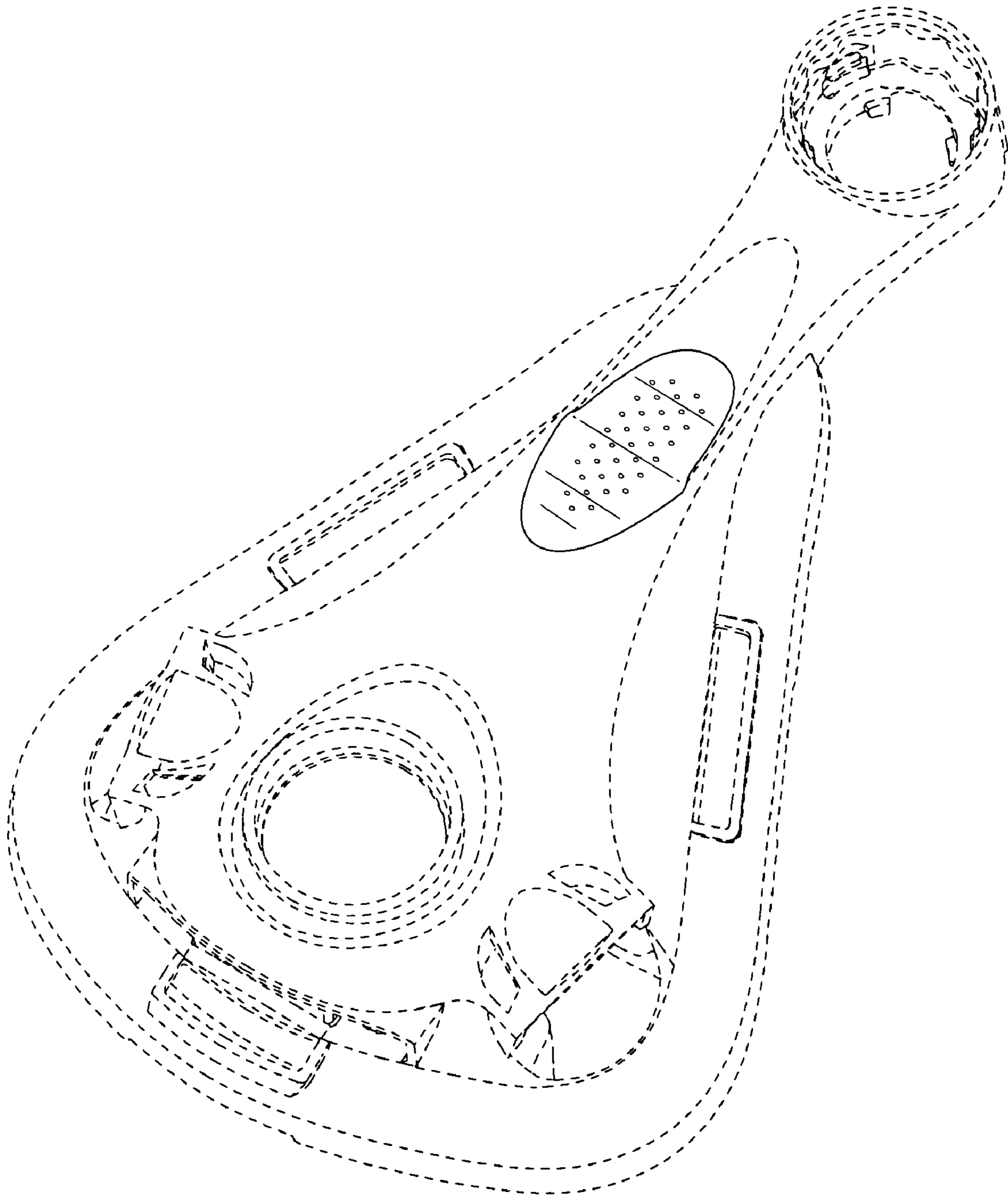


Fig. 15

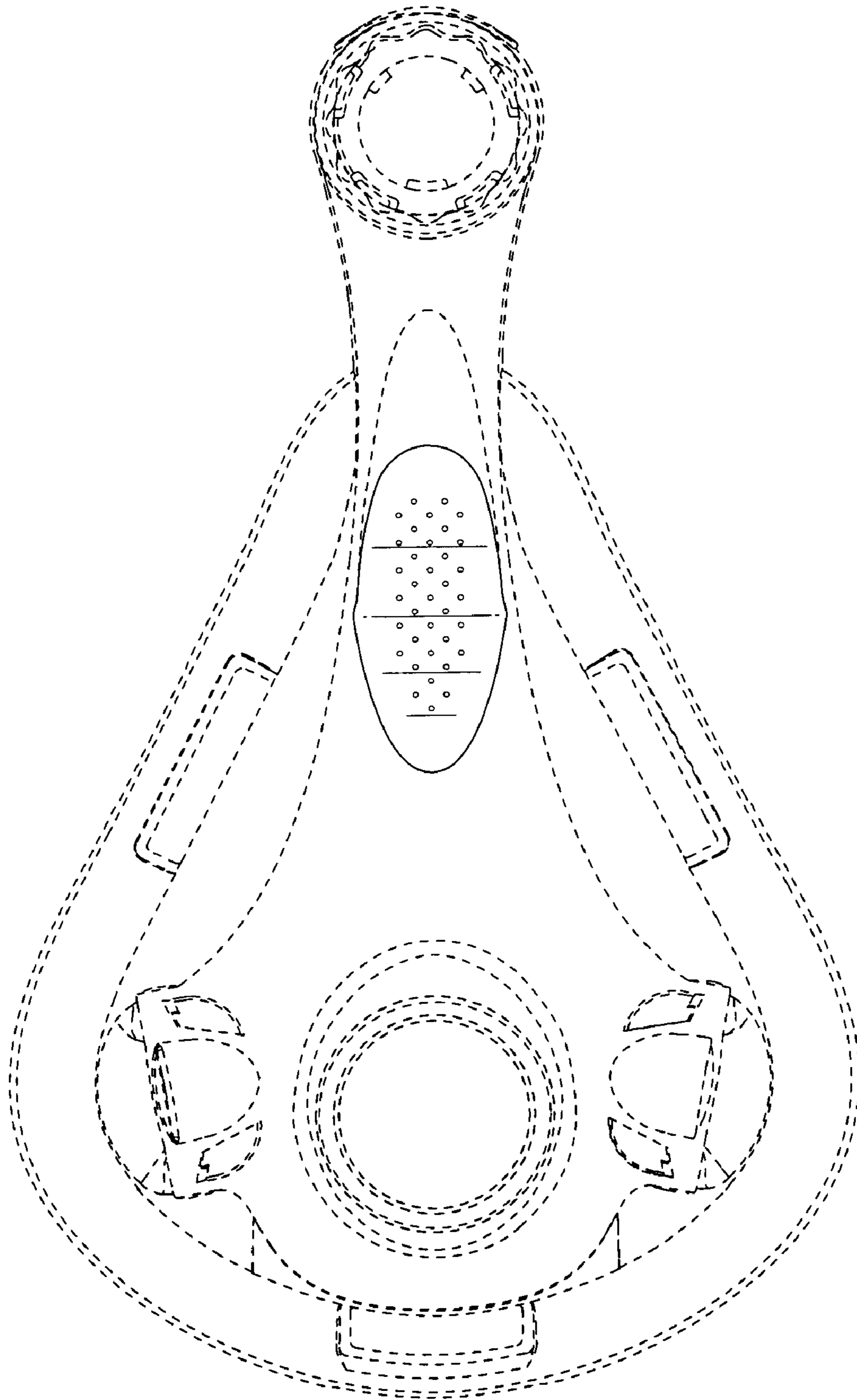


Fig. 16



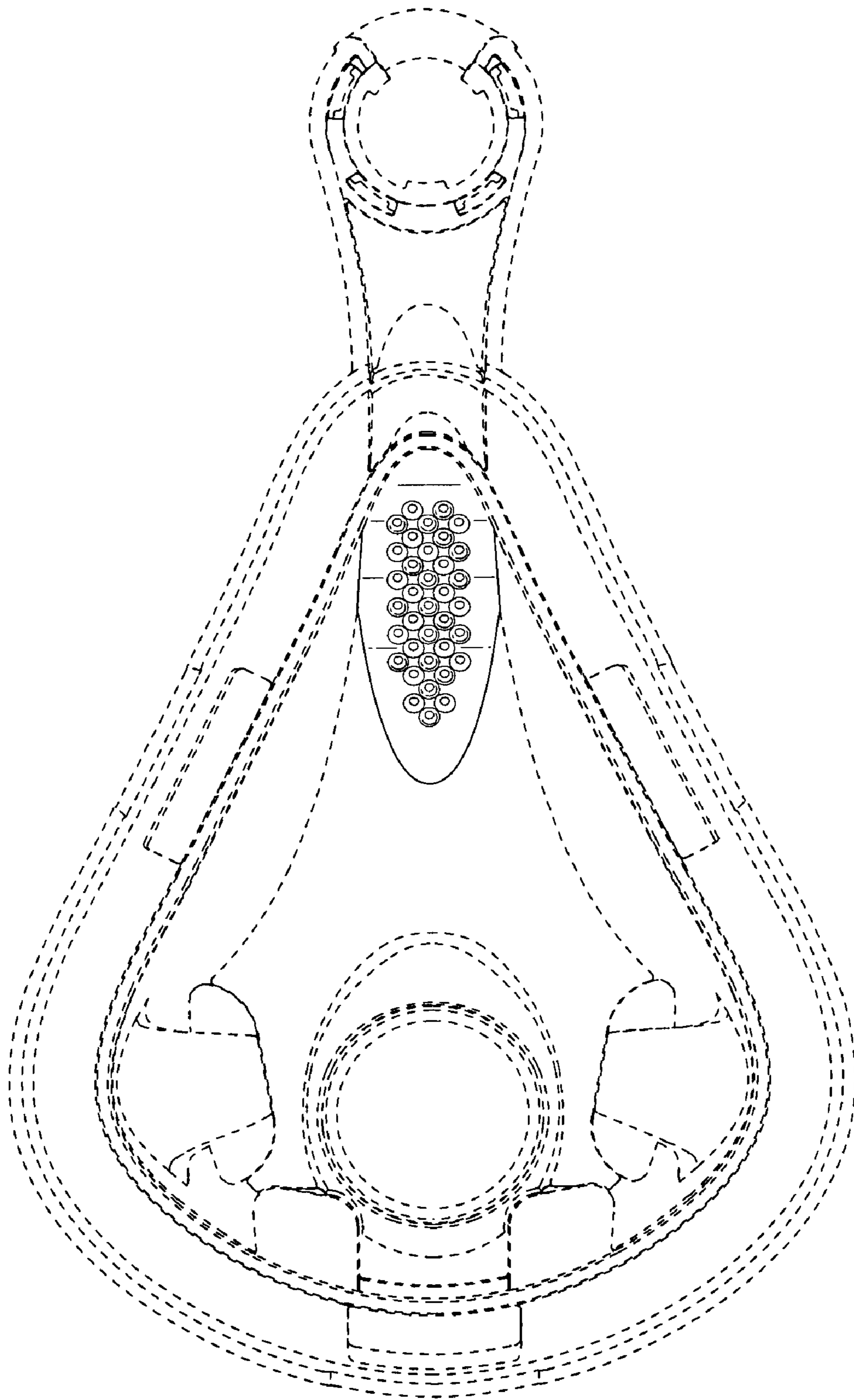


Fig. 17

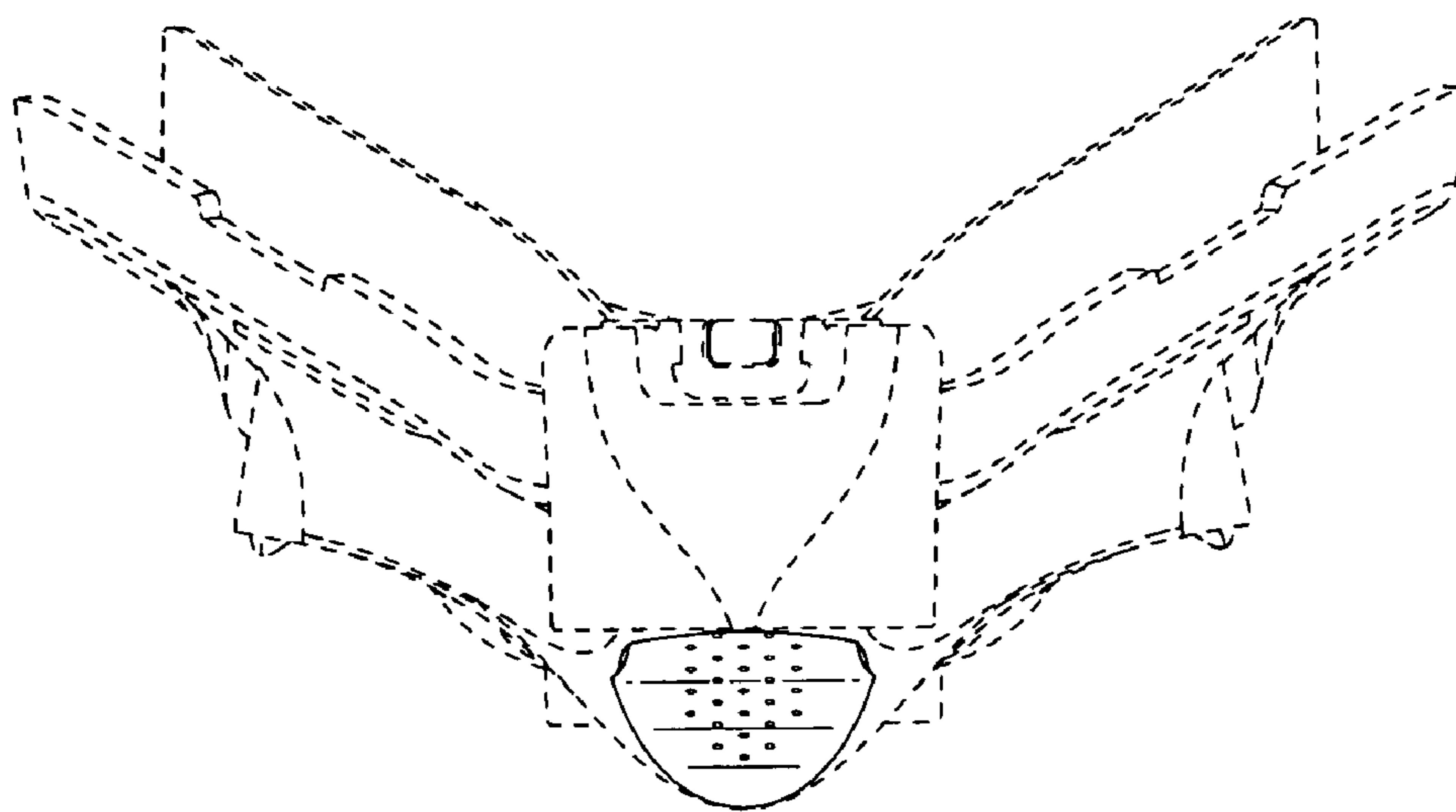


Fig. 18

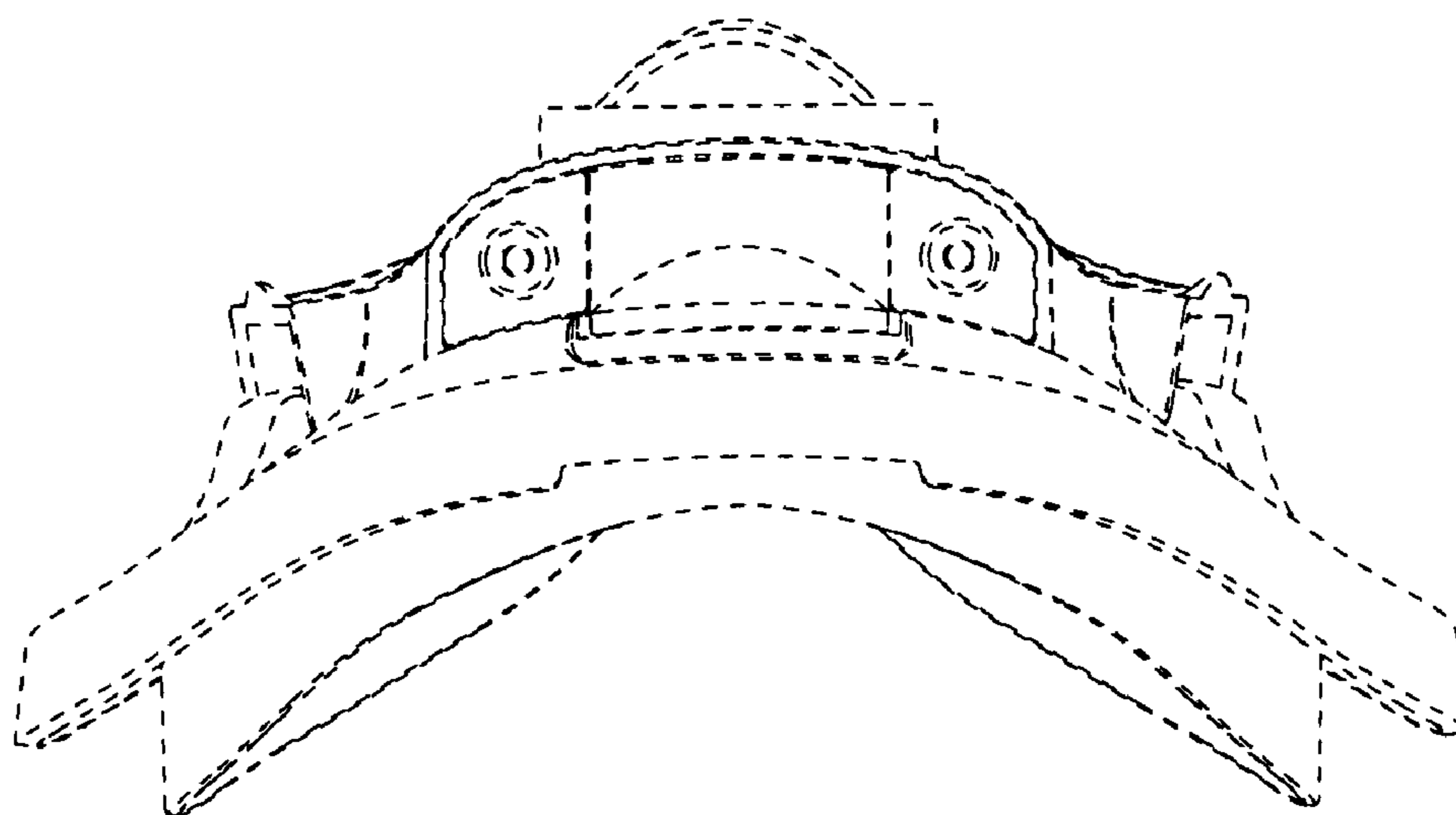


Fig. 19

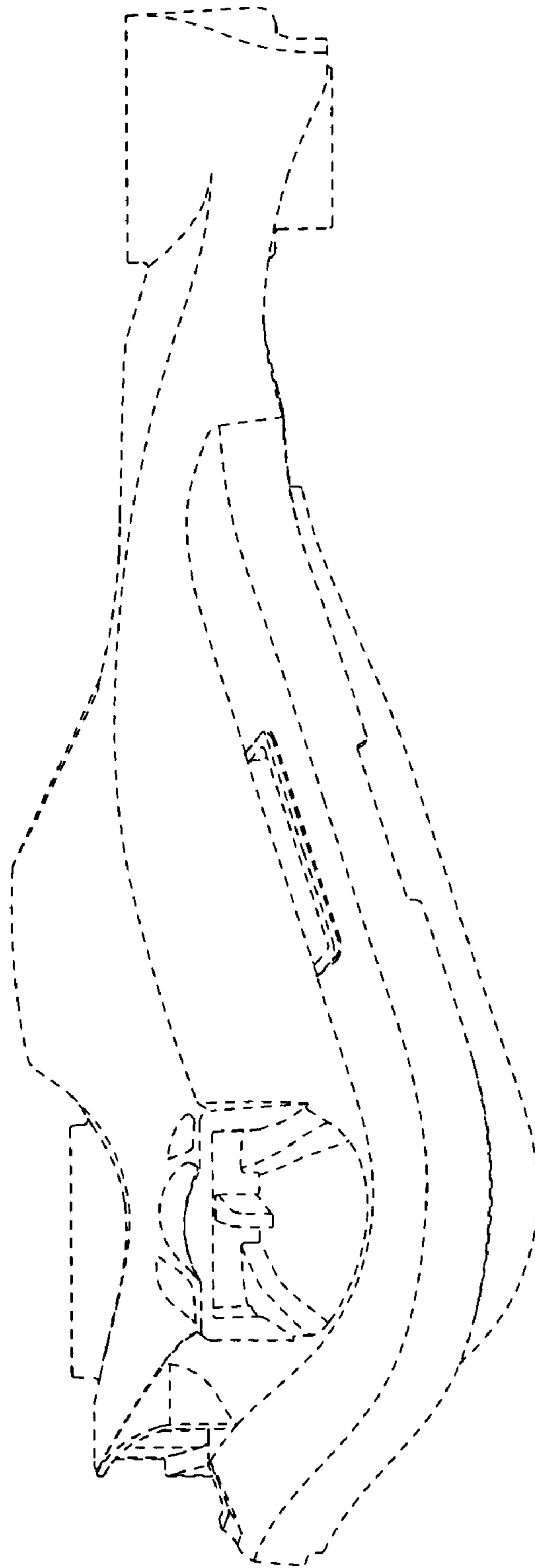


Fig. 20

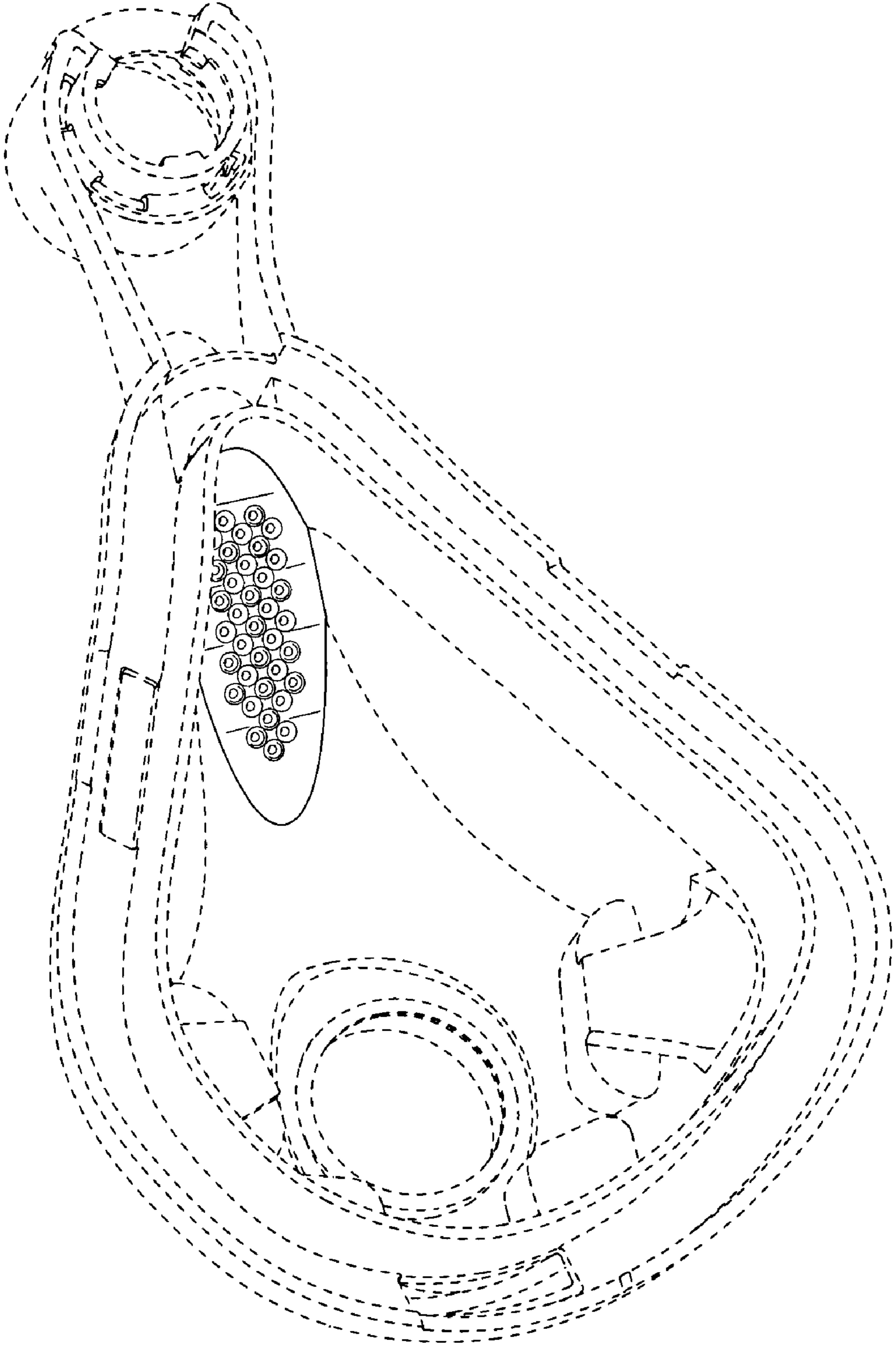


Fig. 21

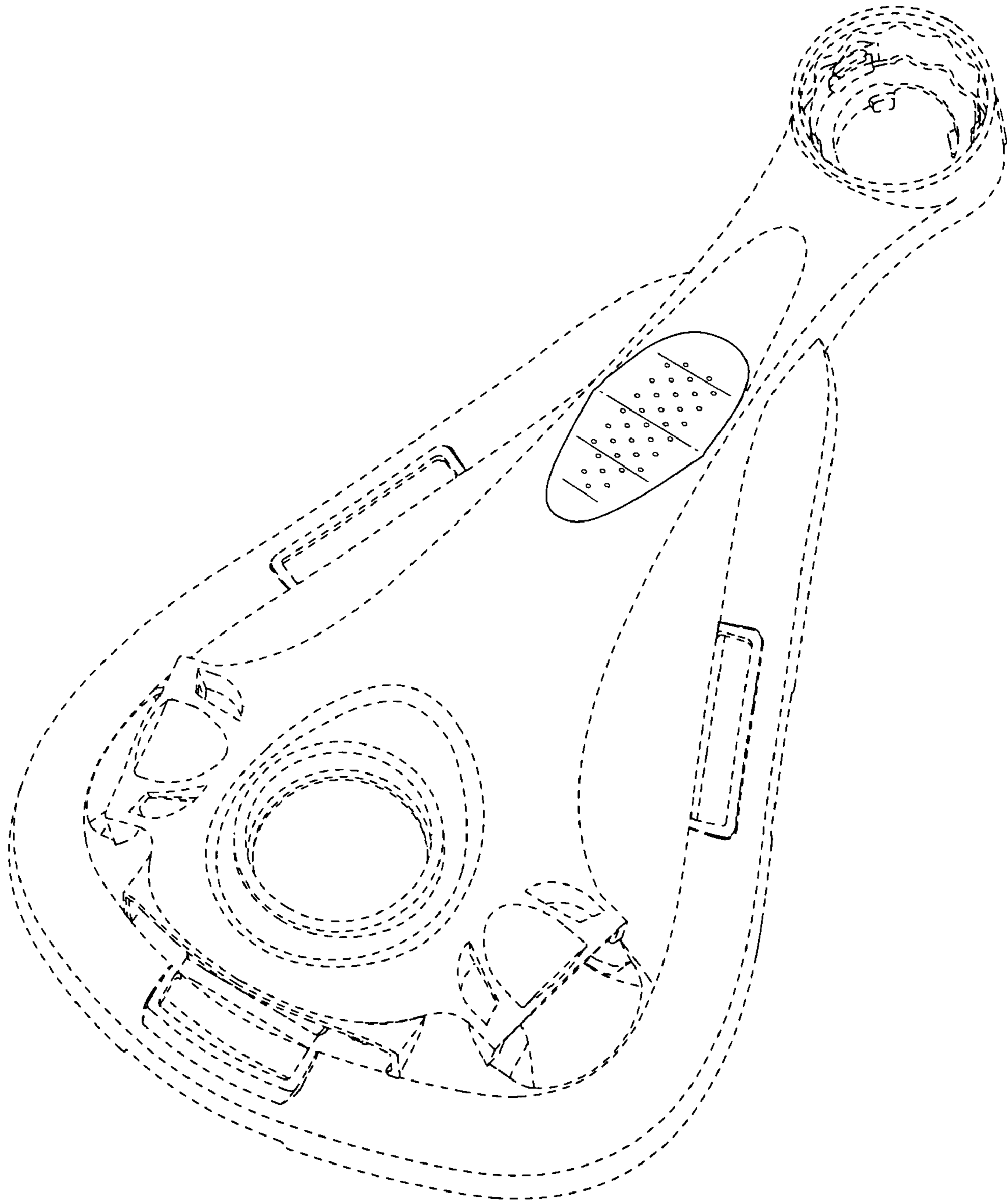


Fig. 22

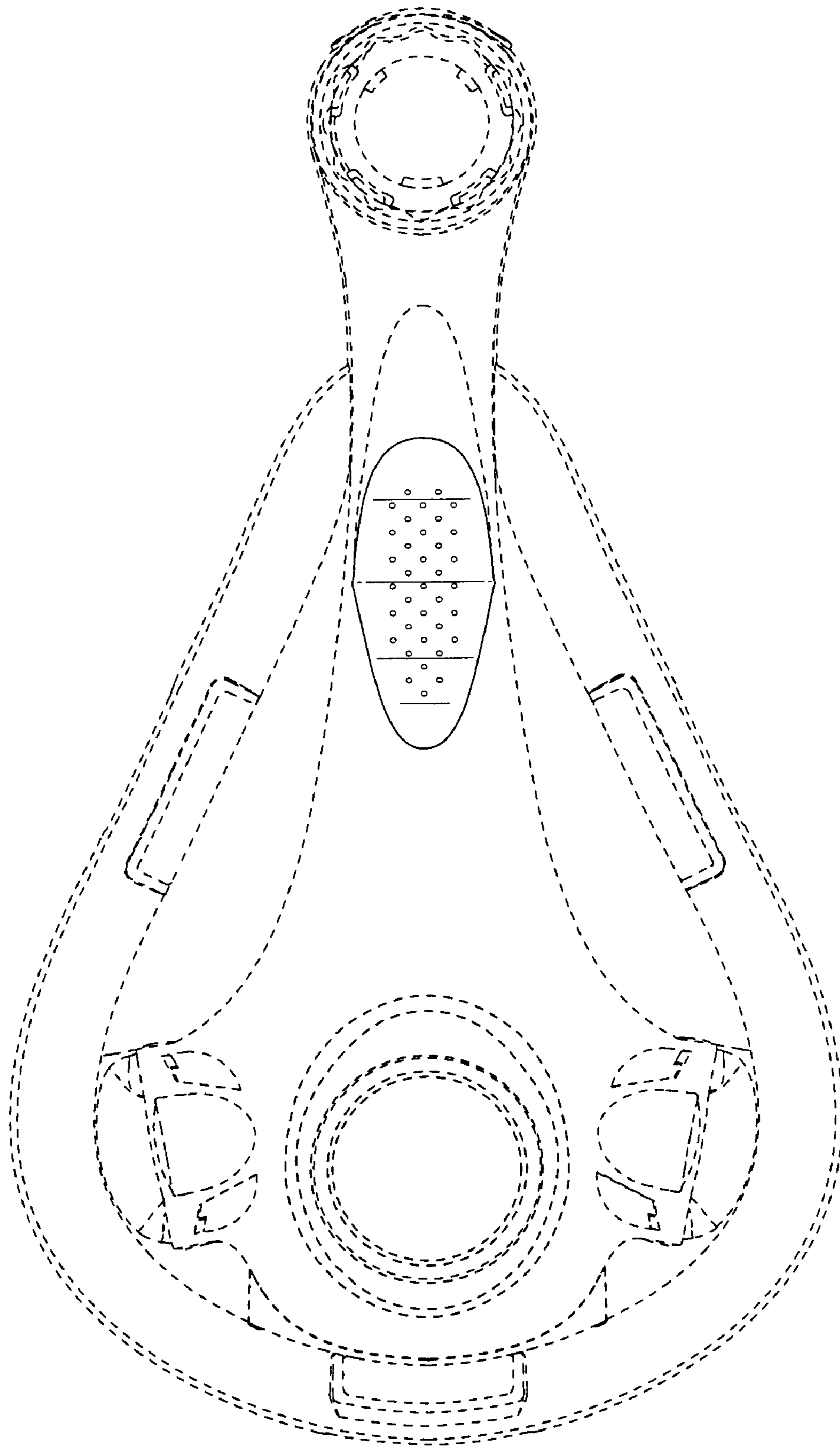


Fig. 23

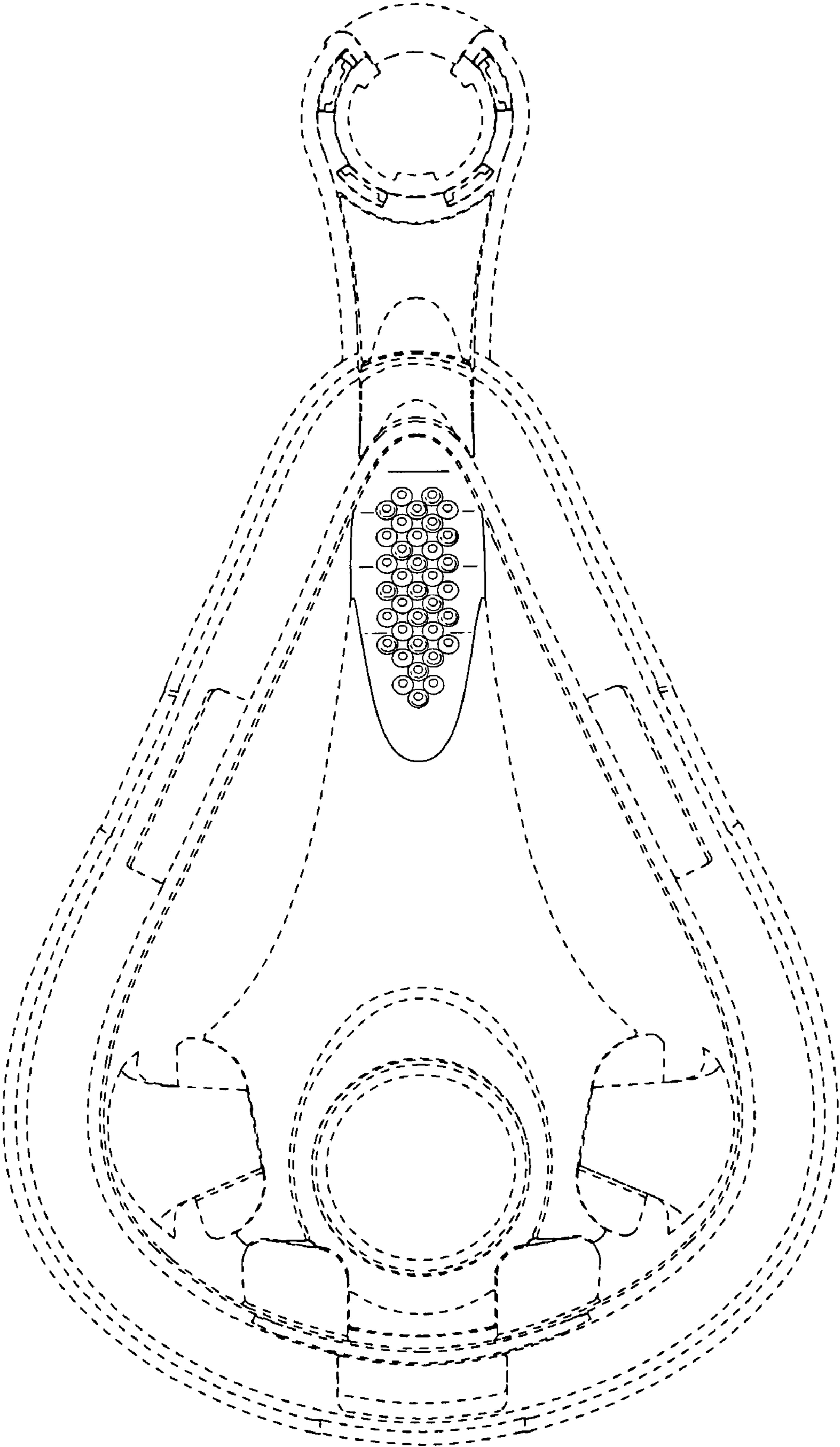


Fig. 24

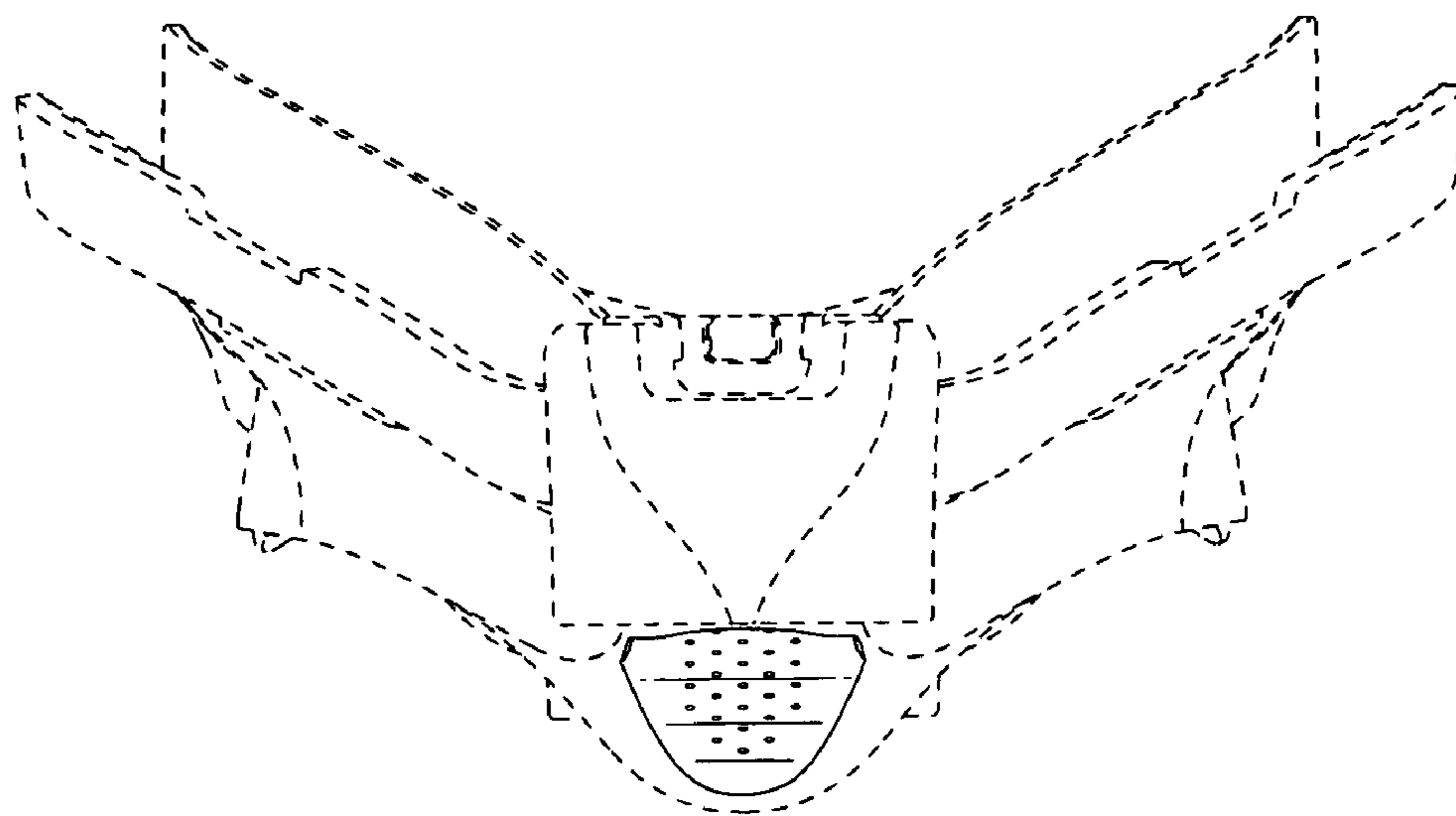


Fig. 25

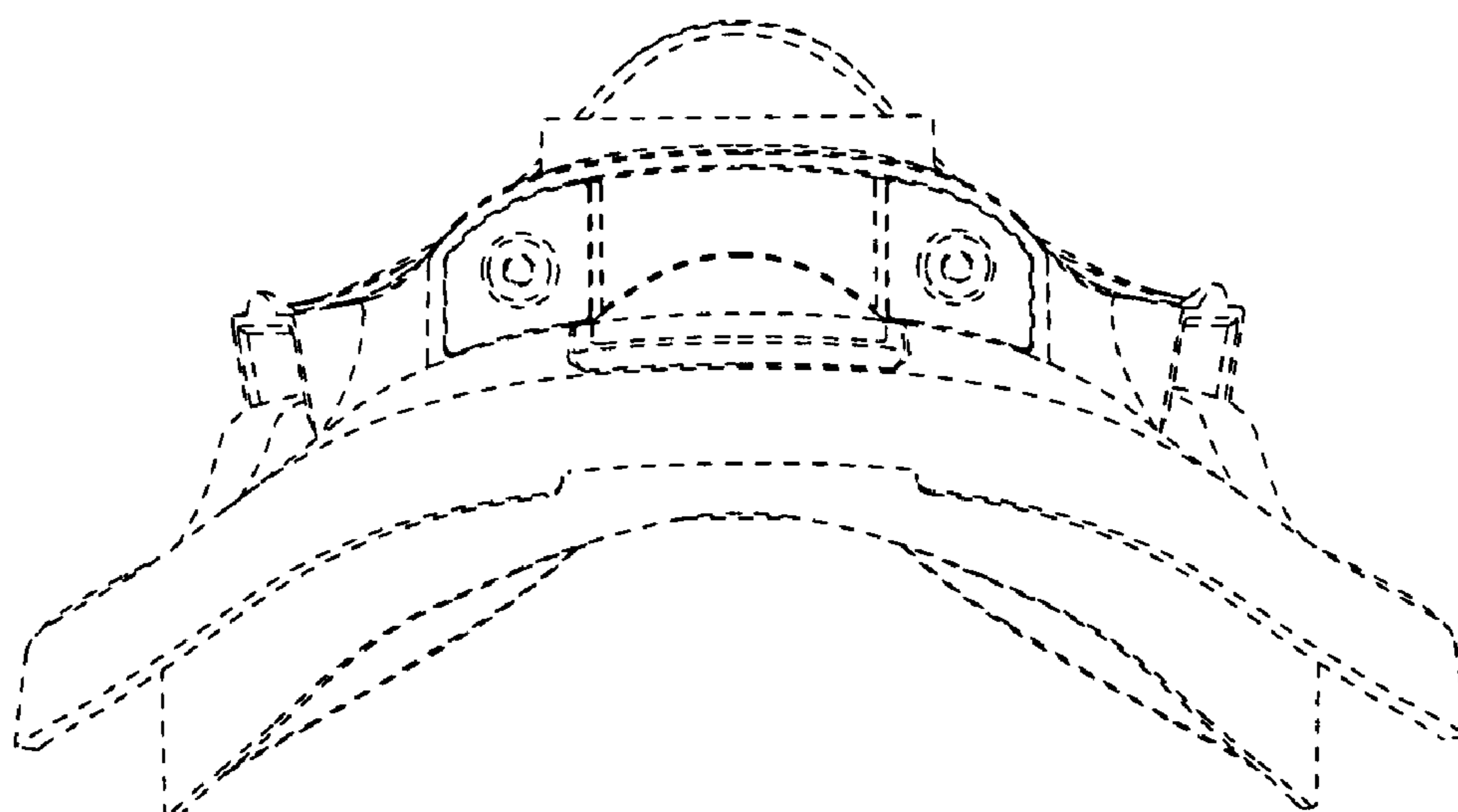


Fig. 26



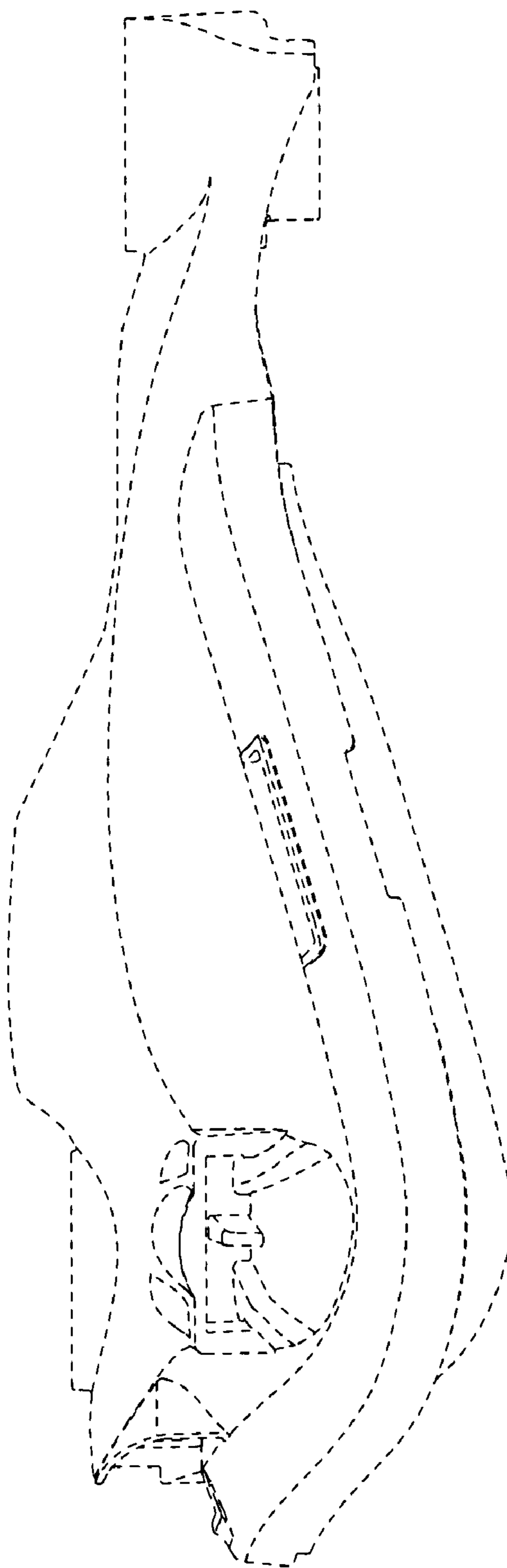


Fig. 27

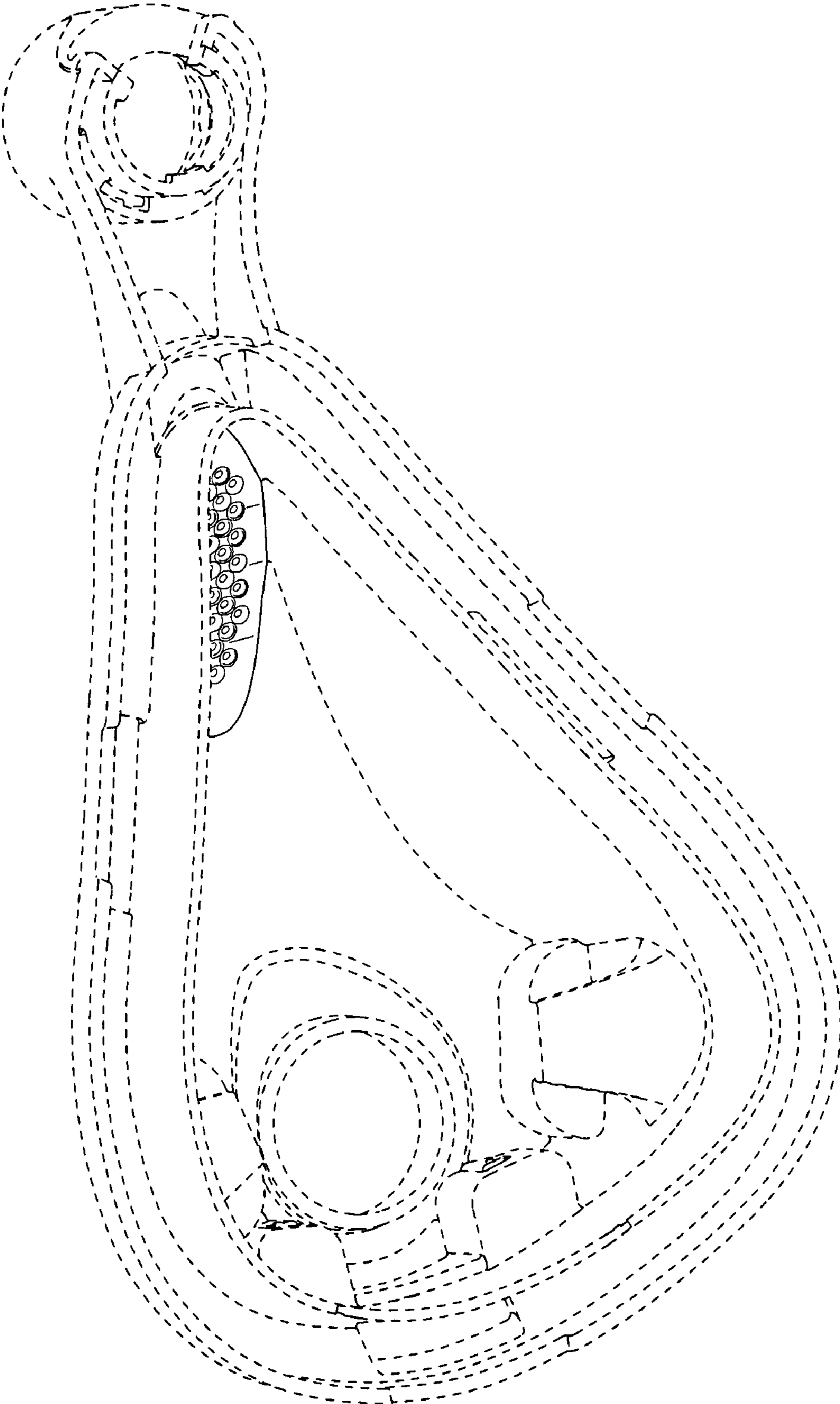


Fig. 28