



US00D586907S

(12) **United States Design Patent**  
**Judson et al.**

(10) **Patent No.:** **US D586,907 S**  
(45) **Date of Patent:** **\*\* Feb. 17, 2009**

(54) **RESPIRATORY MASK ASSEMBLY**

(75) Inventors: **Daniel Robert Judson**, Lapstone (AU);  
**Aaron Samuel Davidson**, Newport  
(AU); **Daniel Joseph Kaars Sijpesteijn**,  
Seven Hills (AU); **Lee James Veliss**,  
West Ryde (AU)

(73) Assignee: **ResMed Limited**, Bella Vista (AU)

(\*\*) Term: **14 Years**

(21) Appl. No.: **29/258,085**

(22) Filed: **Apr. 14, 2006**

(51) **LOC (9) Cl.** ..... **29-02**

(52) **U.S. Cl.** ..... **D24/110.1; D24/110.5**

(58) **Field of Classification Search** .. D24/110.1-110.5;  
128/207.18, 207.13, 207.11, 206.21, 206.11,  
128/206.12, 200.24, 205.25, 204.18, 204.23  
See application file for complete search history.

(56) **References Cited**

U.S. PATENT DOCUMENTS

2,259,817	A *	10/1941	Hawkins	.....	128/207.18
2,763,263	A	9/1956	Ellman		
3,513,844	A	5/1970	Smith		
4,774,946	A *	10/1988	Ackerman et al.	.....	128/207.18
4,782,832	A	11/1988	Trimble		
4,915,105	A *	4/1990	Lee	.....	128/205.27
5,724,965	A *	3/1998	Handke et al.	.....	128/207.13
6,119,694	A	9/2000	Correa		
6,431,172	B1	8/2002	Bordewick		
6,595,215	B2	7/2003	Wood		
7,318,437	B2 *	1/2008	Gunaratnam et al.	...	128/206.11

7,353,826	B2 *	4/2008	Sleeper et al.	.....	128/206.11
2003/0196655	A1	10/2003	Ging		
2005/0011524	A1	1/2005	Thomlinson		
2005/0241644	A1	11/2005	Gunaratnam		
2007/0186930	A1 *	8/2007	Davidson et al.	.....	128/205.25

OTHER PUBLICATIONS

Gunaratnam, U.S. Appl. No. 29/213,882, filed May 2004.  
Judson et al., U.S. Appl. No. 29/258,084, filed Apr. 14, 2006.  
Judson et al., U.S. Appl. No. 29/258,083, filed Apr. 14, 2006.

\* cited by examiner

*Primary Examiner*—Ian Simmons

*Assistant Examiner*—Christopher Lee

(74) *Attorney, Agent, or Firm*—Nixon & Vanderhye P.C.

(57) **CLAIM**

The ornamental design for a respiratory mask assembly, as shown and described.

**DESCRIPTION**

FIG. 1 is a front perspective view of a respiratory mask assembly according to an embodiment of our design;

FIG. 2 is a reverse perspective view thereof;

FIG. 3 is a front view thereof;

FIG. 4 is a rear view thereof;

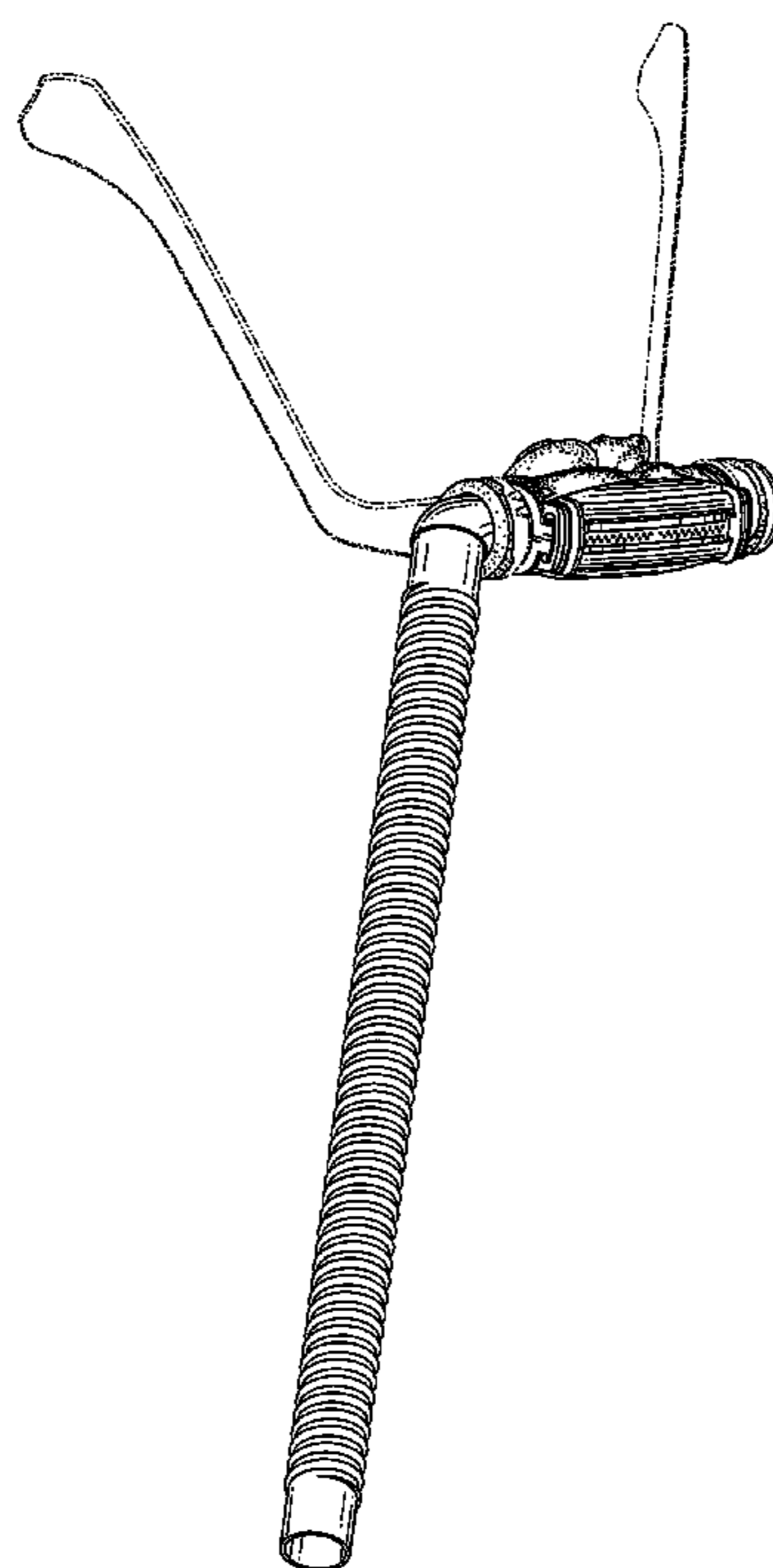
FIG. 5 is a top view thereof;

FIG. 6 is a bottom view thereof;

FIG. 7 is a left side view thereof; and,

FIG. 8 is a right side view thereof.

**1 Claim, 8 Drawing Sheets**



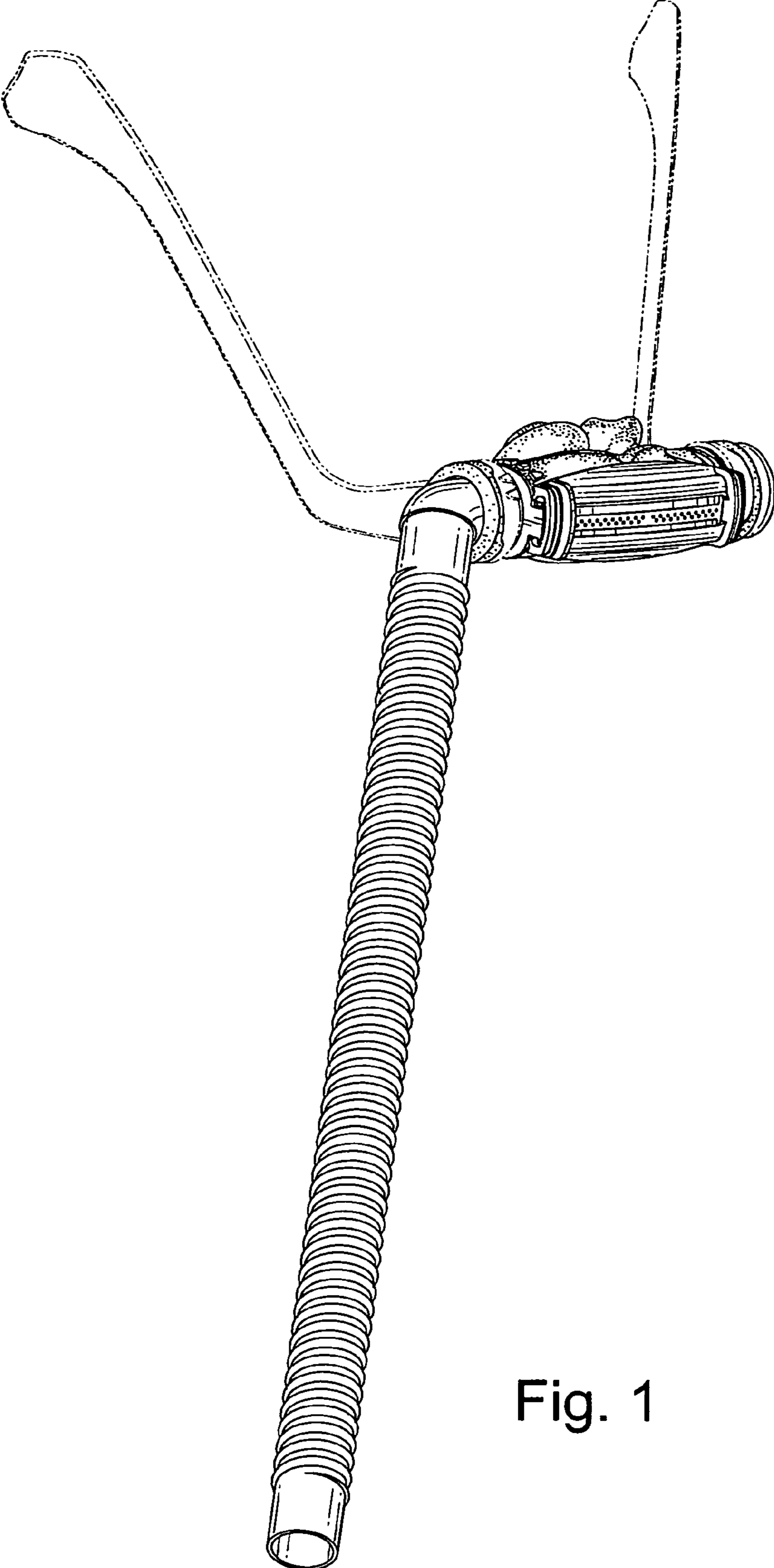


Fig. 1

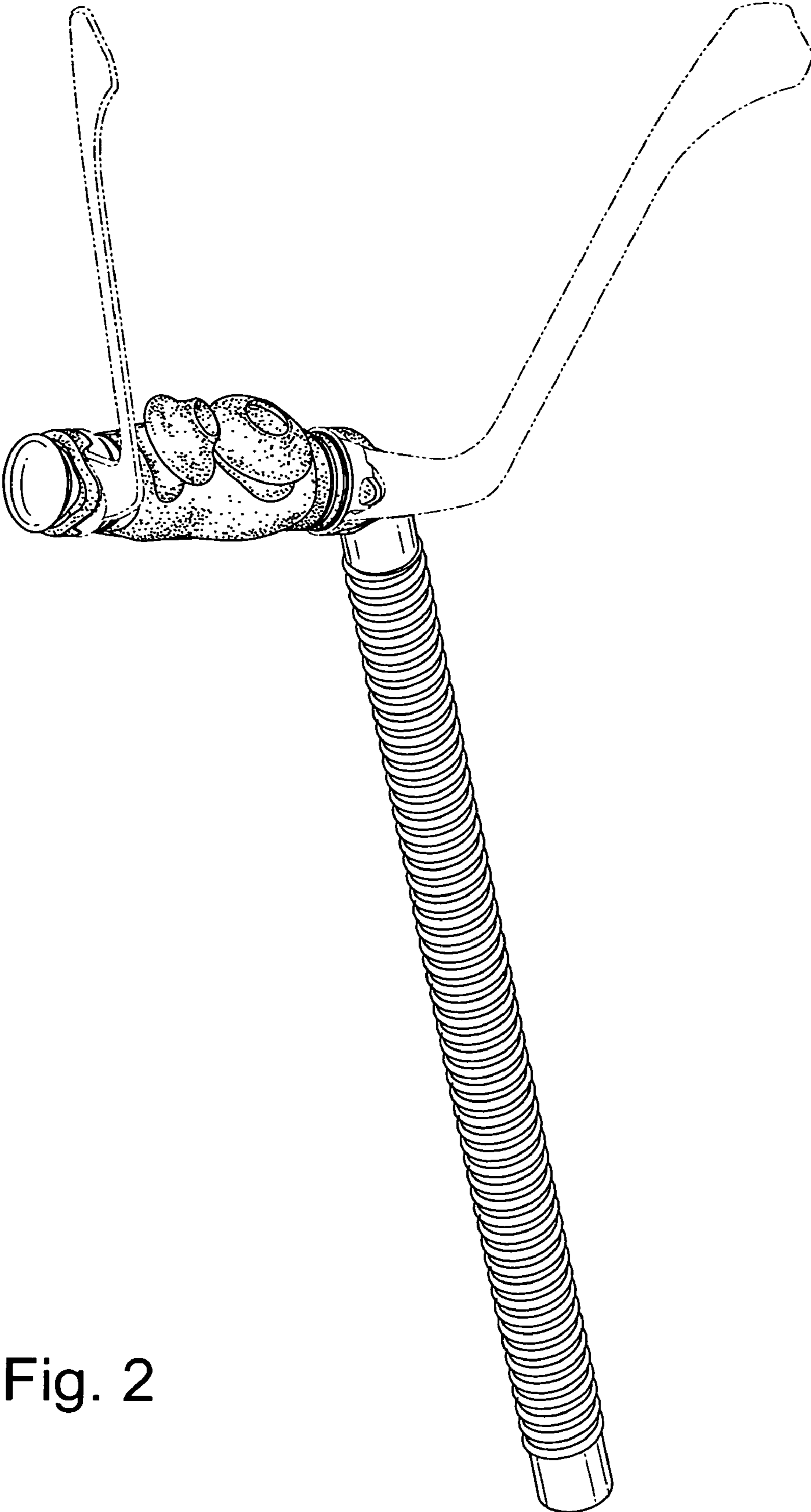


Fig. 2

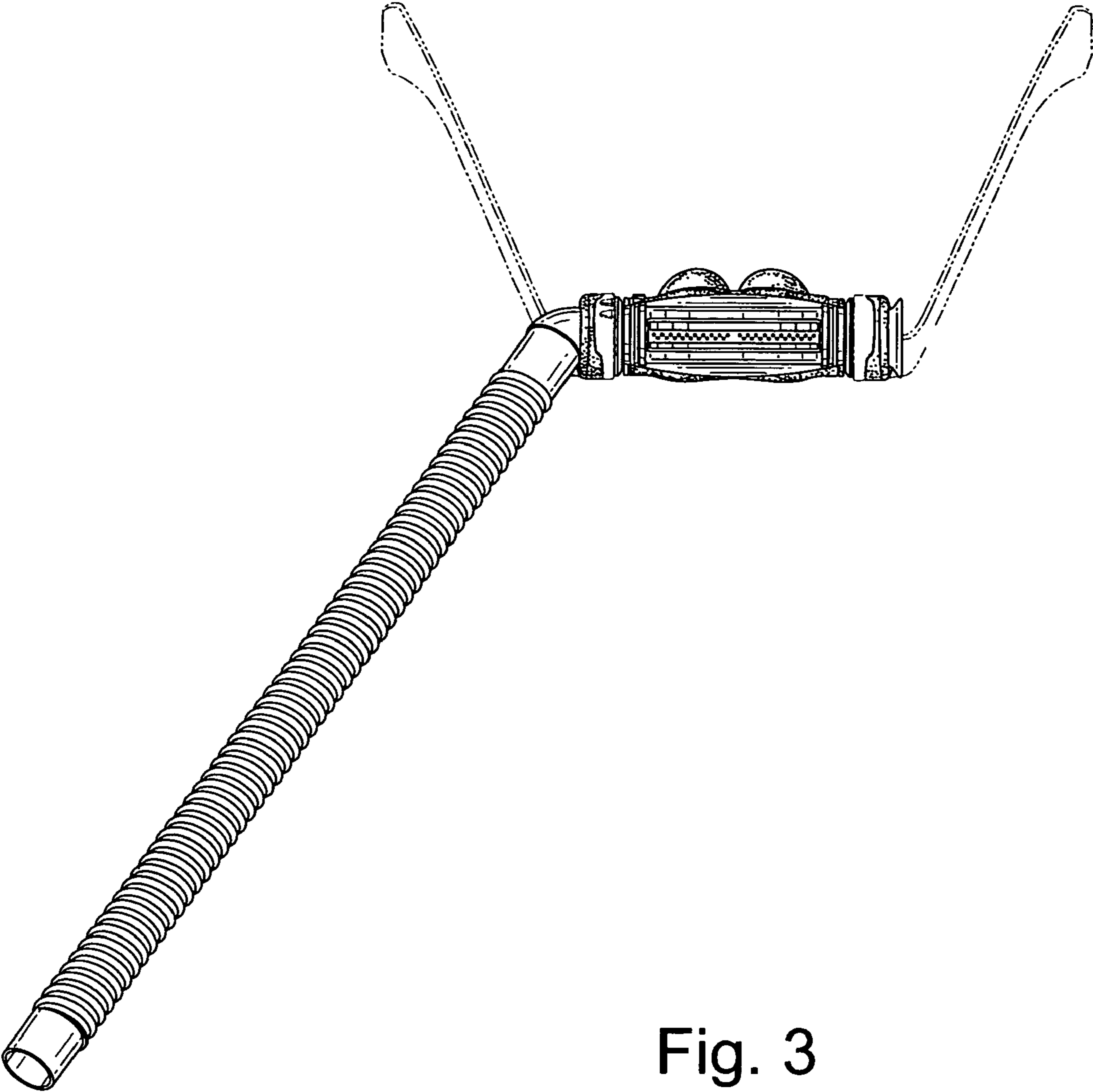


Fig. 3

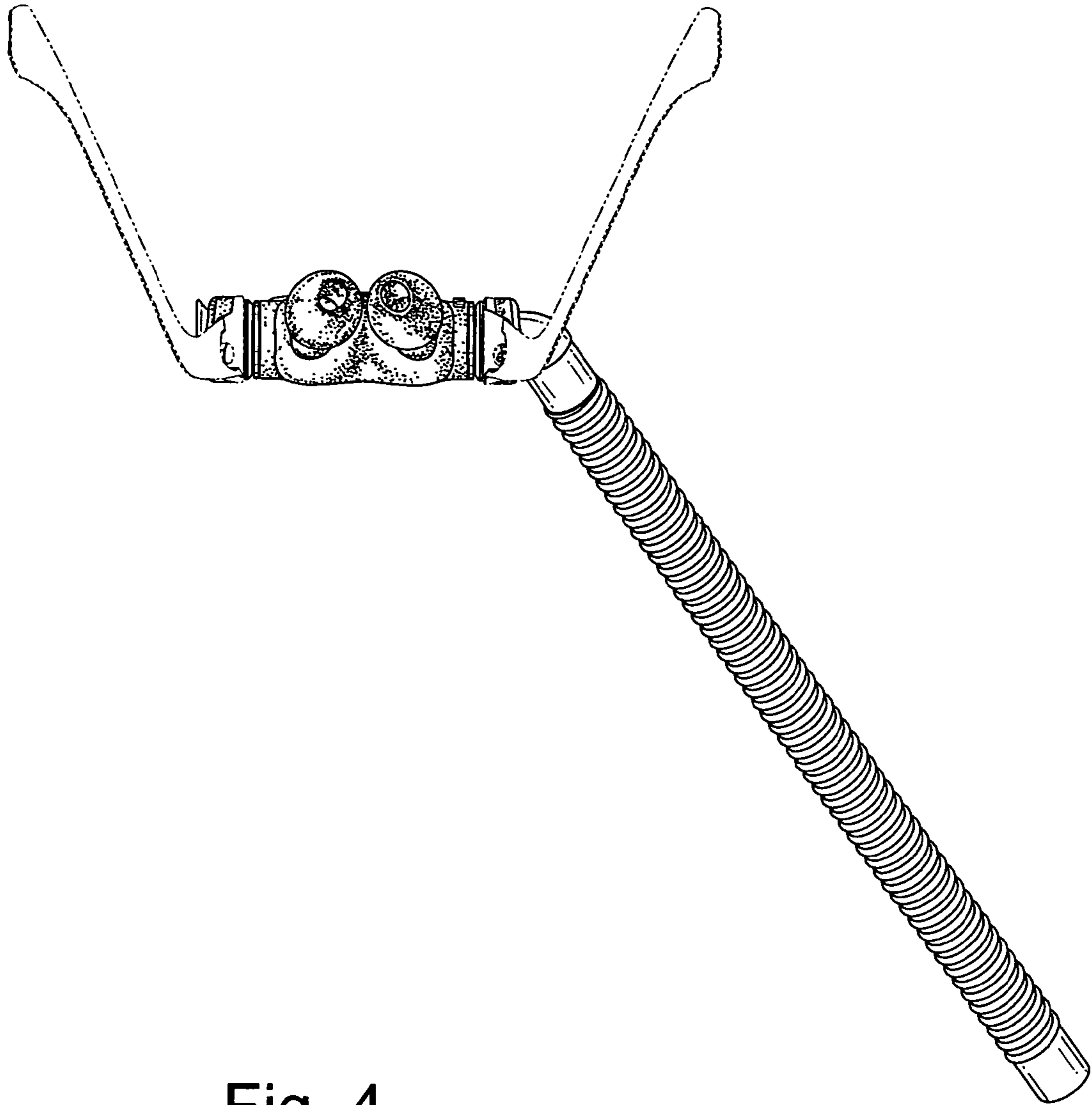


Fig. 4



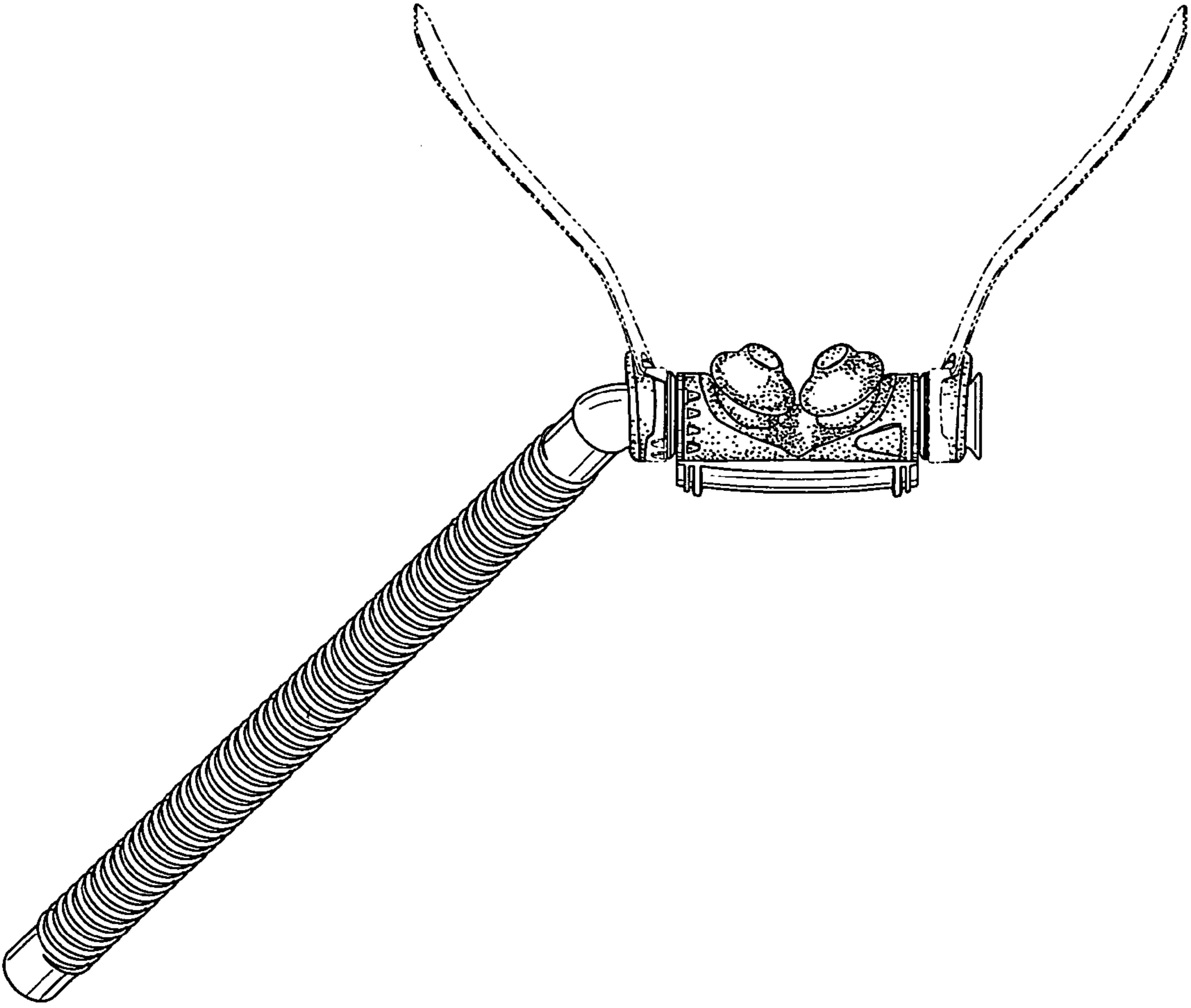


Fig. 5

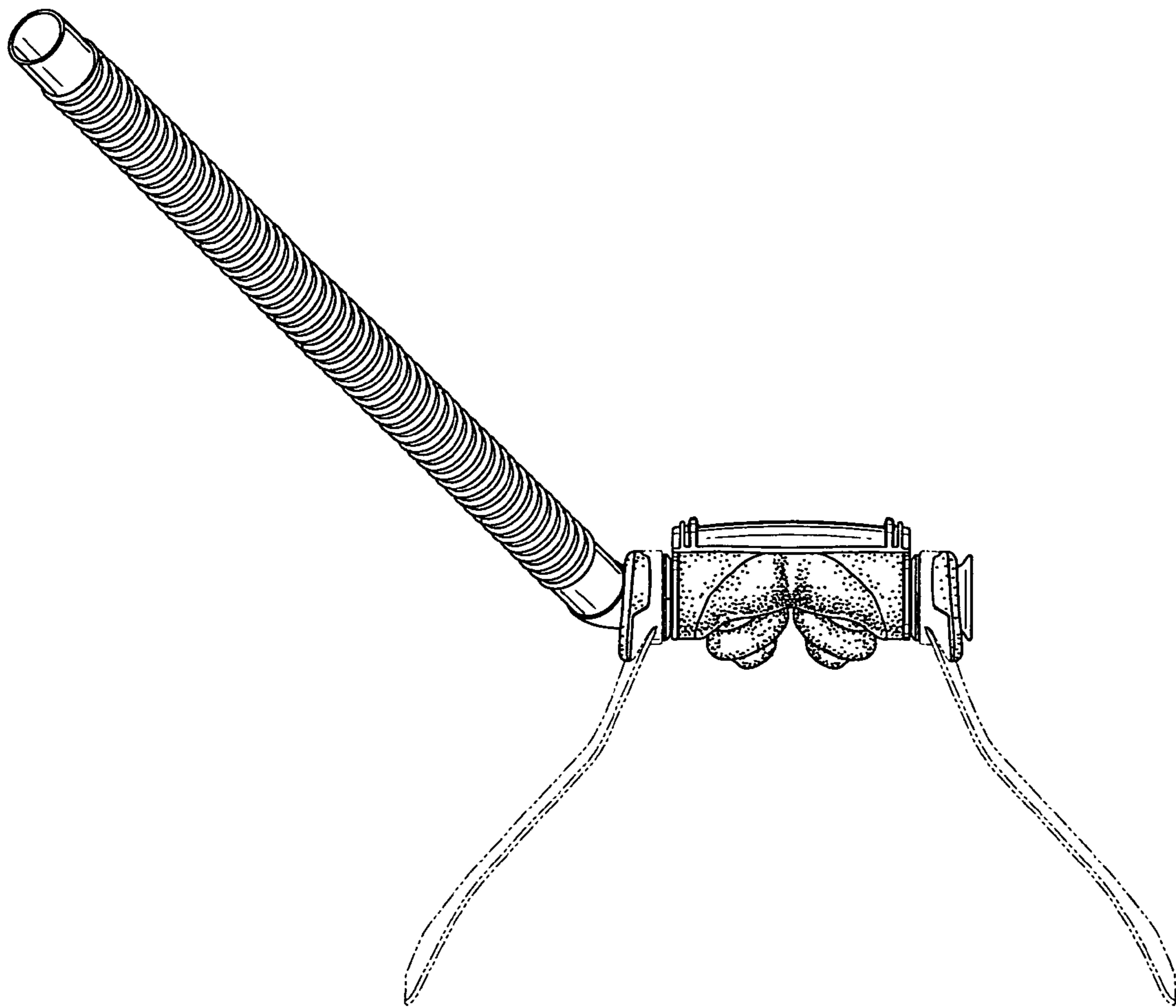


Fig. 6

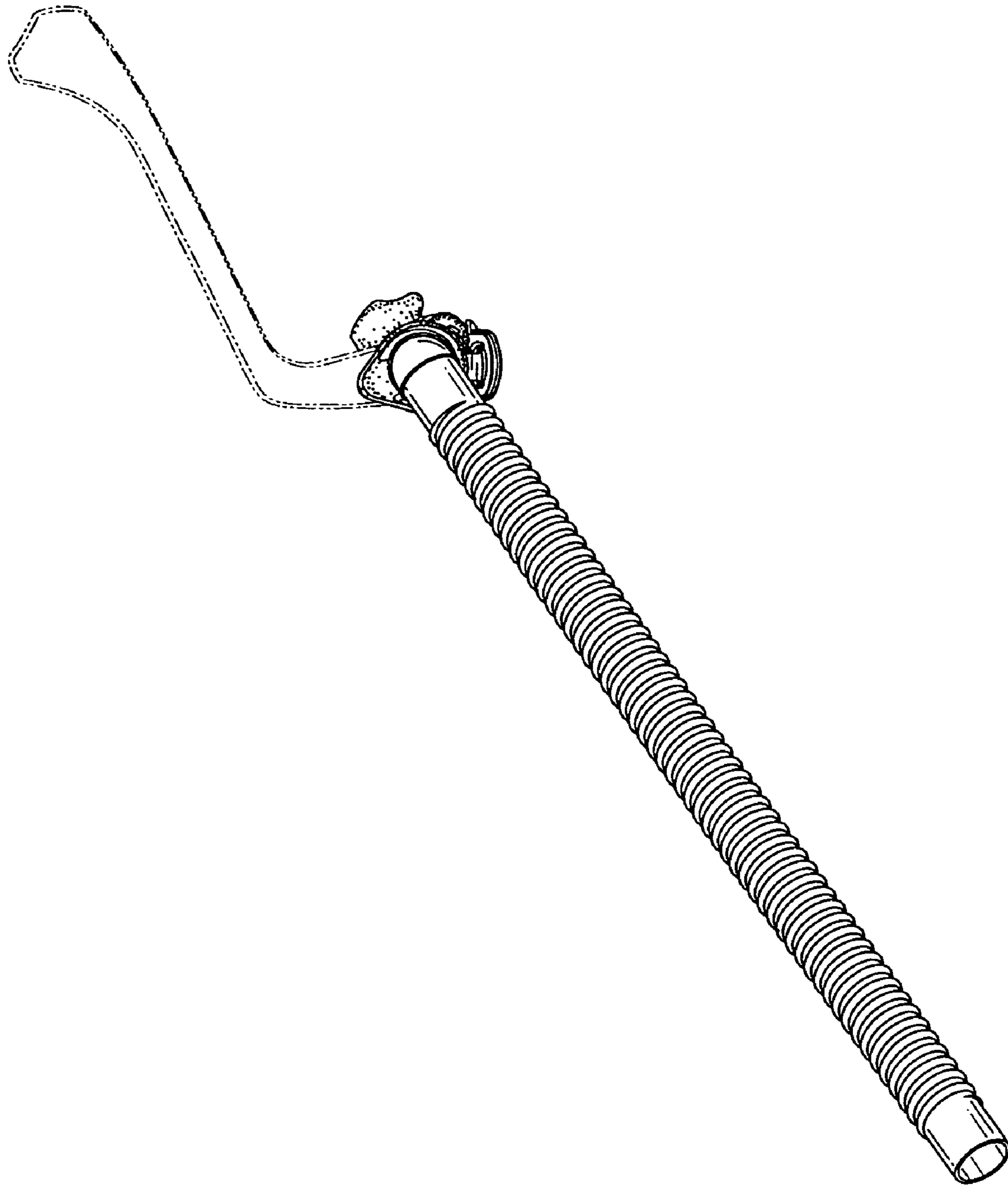


Fig. 7



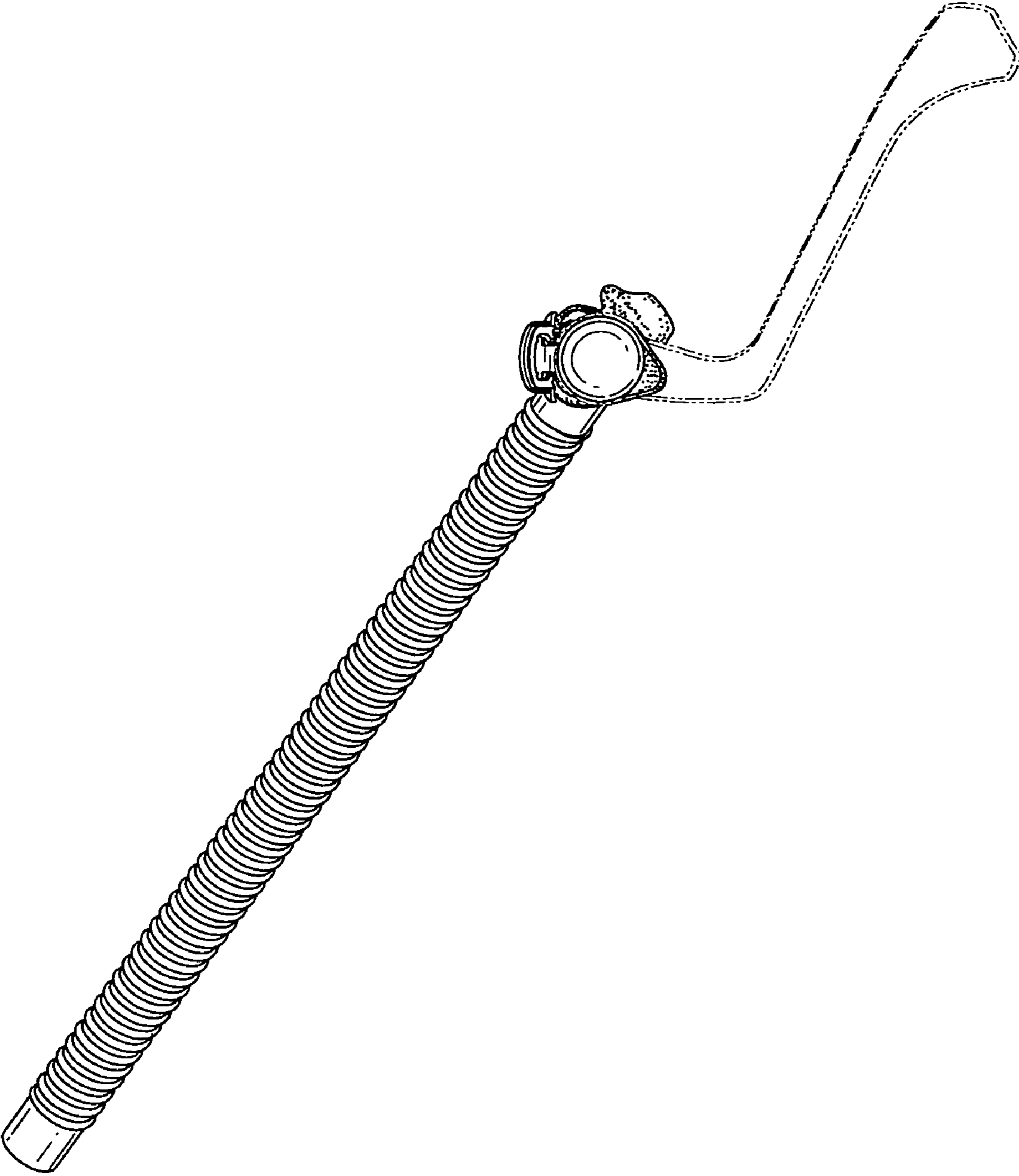


Fig. 8