



US00D586906S

(12) **United States Design Patent**
Stallard et al.

(10) **Patent No.:** **US D586,906 S**
(45) **Date of Patent:** **** Feb. 17, 2009**

(54) **FRAME FOR RESPIRATORY MASK**

2004/0118406 A1 6/2004 Lithgow et al.
2005/0172969 A1 8/2005 Ging et al.
2006/0231103 A1 10/2006 Matula

(75) Inventors: **Philip Thomas Stallard**, Denistone East (AU); **Scott Alexander Howard**, Harbord (AU); **Vincent Chu**, Little Bay (AU); **Susan Robyn Lynch**, Epping (AU); **Errol Savio Alex D'Souza**, Hornsby (AU); **Lee James Veliss**, West Ryde (AU); **Eva Ng**, Double Bay (AU)

FOREIGN PATENT DOCUMENTS

WO 2005/018523 3/2005
WO 2005/021075 3/2005
WO 2005/032634 4/2005

OTHER PUBLICATIONS

Chu et al., U.S. Appl. No. 29/261,578, filed Jun. 16, 2006.
Veliss et al., U.S. Appl. No. 29/268,731, filed Nov. 13, 2006.
Stallard et al., U.S. Appl. No. 29/268,823, filed Nov. 14, 2006.
Stallard et al., U.S. Appl. No. 29/240,923, filed Sep. 26, 2005.
Stallard et al., U.S. Appl. No. 29/251,711, filed Jan. 12, 2006.
Stallard et al., U.S. Appl. No. 29/251,703, filed Jan. 12, 2006.
Stallard et al., U.S. Appl. No. 29/272,801, filed Feb. 20, 2007.

(73) Assignee: **ResMed Limited**, Bella Vista (AU)

(**) Term: **14 Years**

(21) Appl. No.: **29/251,703**

(22) Filed: **Jan. 12, 2006**

(51) **LOC (9) Cl.** **29-02**

(52) **U.S. Cl.** **D24/110.1**

(58) **Field of Classification Search** D24/110.1,
D24/110.4, 110.5; 128/207.13, 207.12, 207.11,
128/207.17, 207.18, 206.26, 206.21, 205.25

See application file for complete search history.

Primary Examiner—Ian Simmons

Assistant Examiner—Christopher Lee

(74) *Attorney, Agent, or Firm*—Nixon & Vanderhye P.C.

(57) **CLAIM**

The ornamental design for a frame for respiratory mask, as shown.

(56) **References Cited**

U.S. PATENT DOCUMENTS

D428,139 S 7/2000 Smart
D430,663 S 9/2000 Smart
6,374,826 B1 4/2002 Gunaratnam
D459,800 S 7/2002 Smart
D464,427 S 10/2002 Smart
D464,728 S 10/2002 Paul
D468,421 S 1/2003 Smart
6,581,594 B1 6/2003 Drew
D486,907 S 2/2004 Guney
D493,885 S 8/2004 Raje
6,860,269 B2 3/2005 Kwok et al.
D519,207 S 4/2006 Raje et al.
D534,274 S 12/2006 Smart
2003/0005931 A1 1/2003 Jaffre

DESCRIPTION

FIG. 1 is a front perspective view of a frame for a respiratory mask according to our design;

FIG. 2 is a front view thereof;

FIG. 3 is a rear view thereof;

FIG. 4 is a left side view thereof;

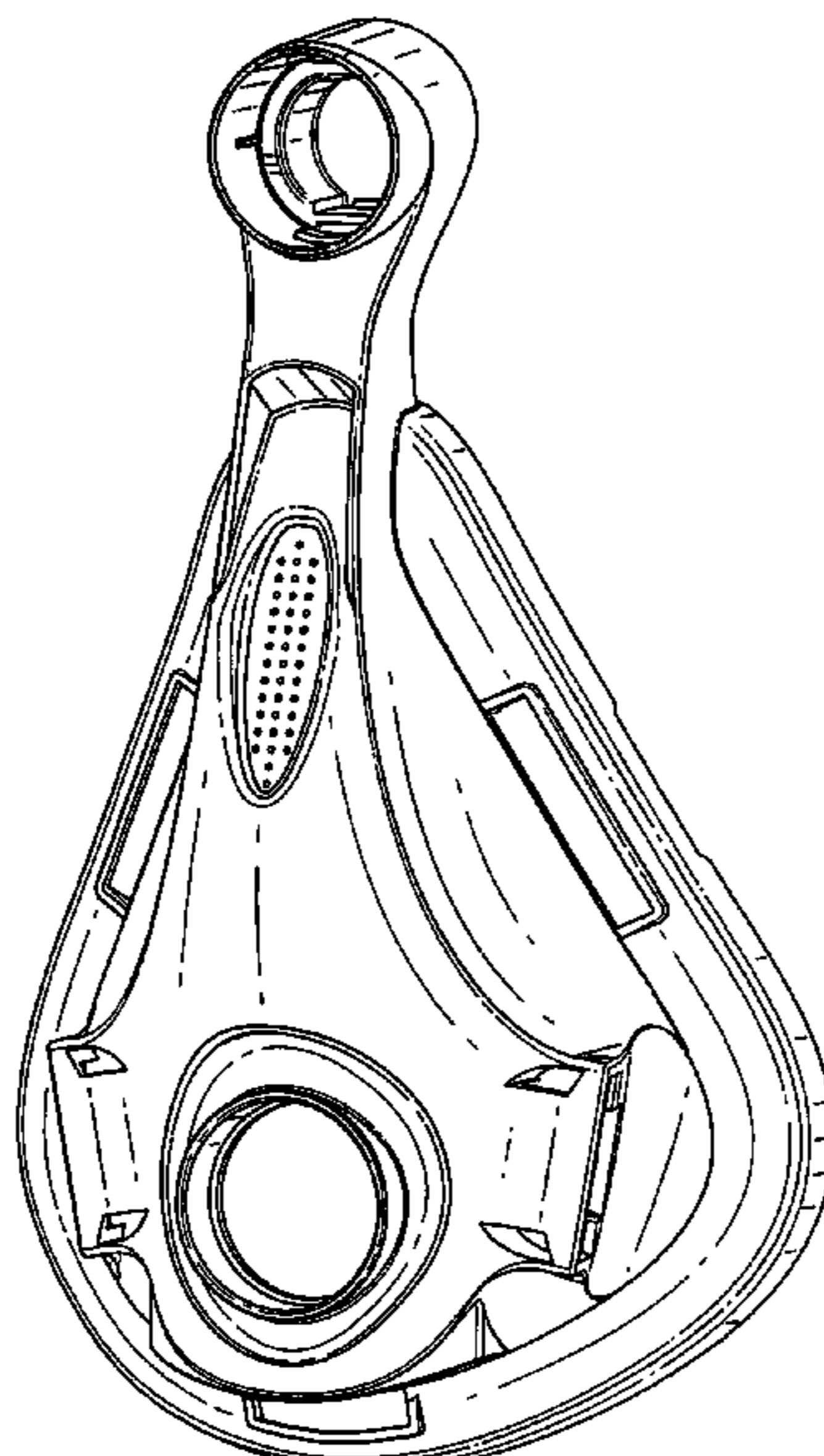
FIG. 5 is a right side view thereof;

FIG. 6 is a top view thereof;

FIG. 7 is a bottom view thereof; and,

FIG. 8 is a rear perspective view thereof.

1 Claim, 7 Drawing Sheets



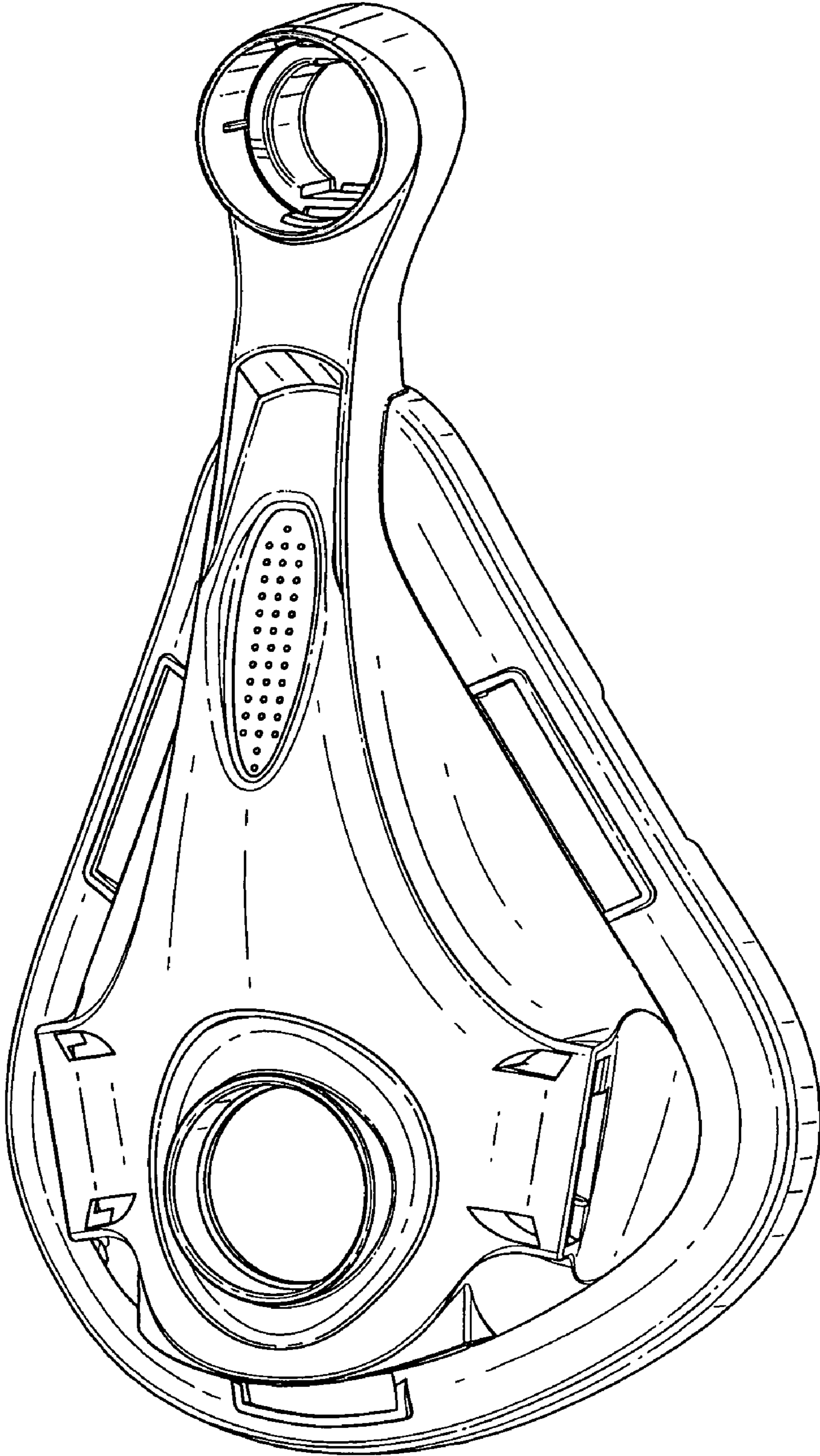


Fig. 1

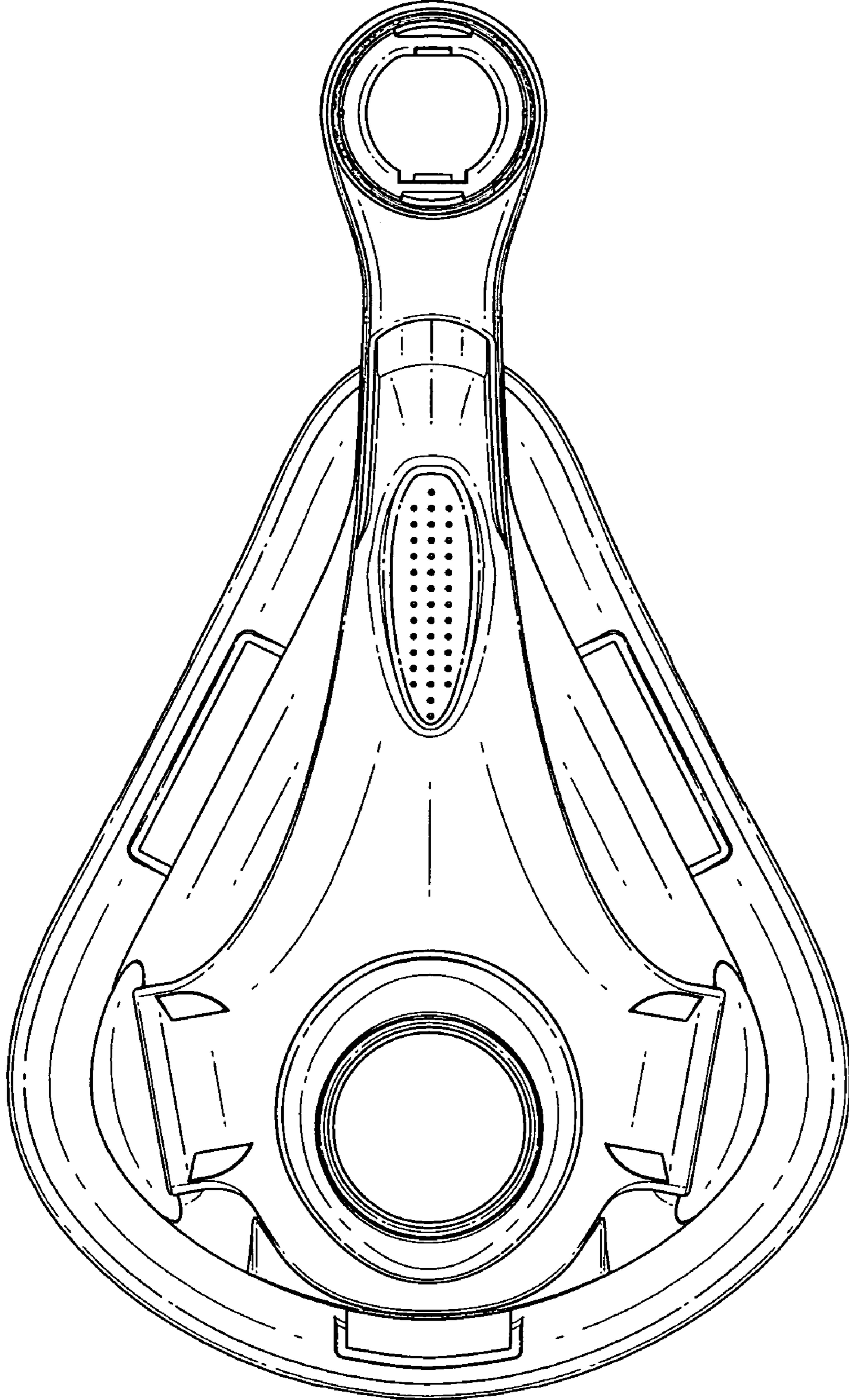


Fig. 2

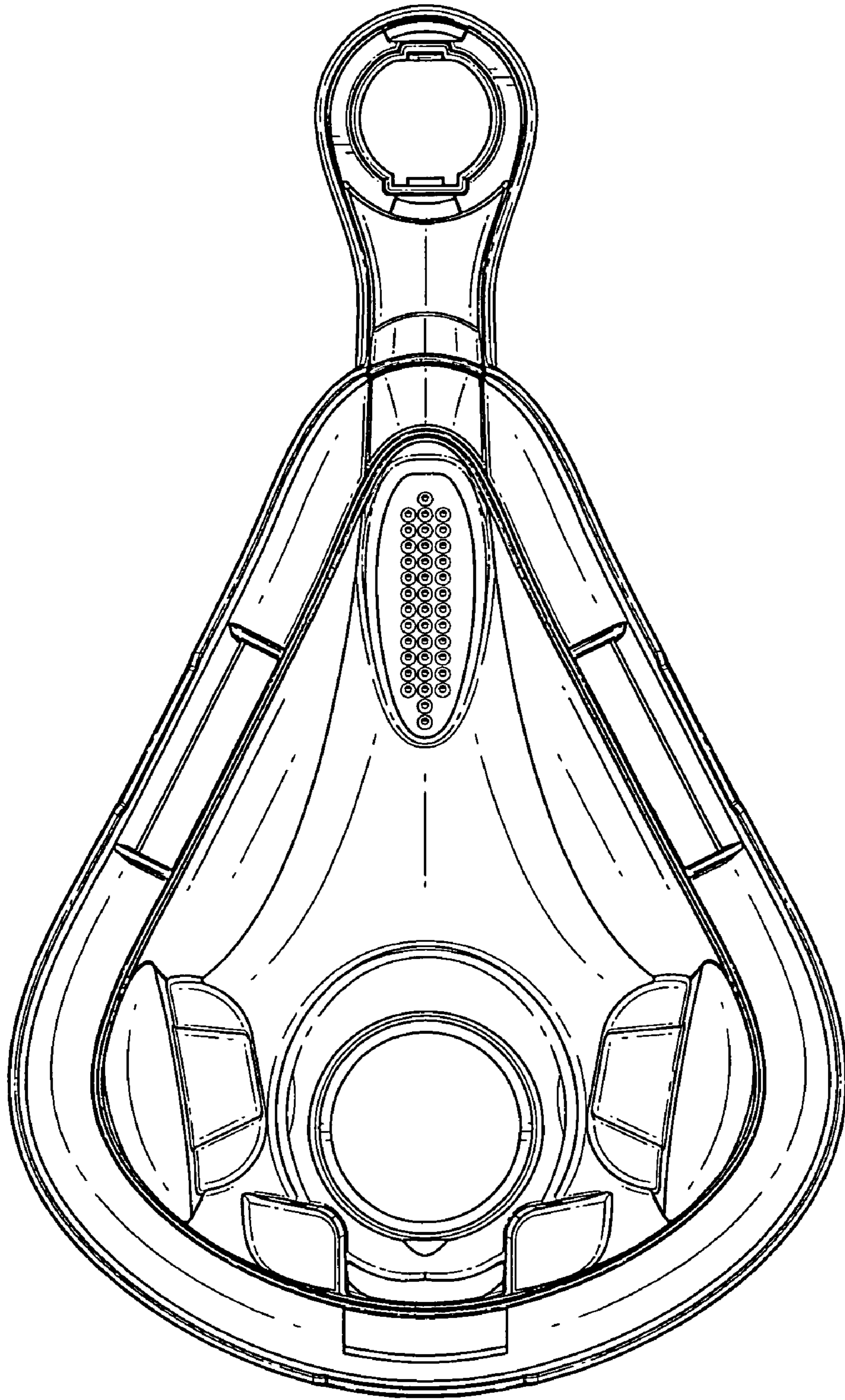


Fig. 3

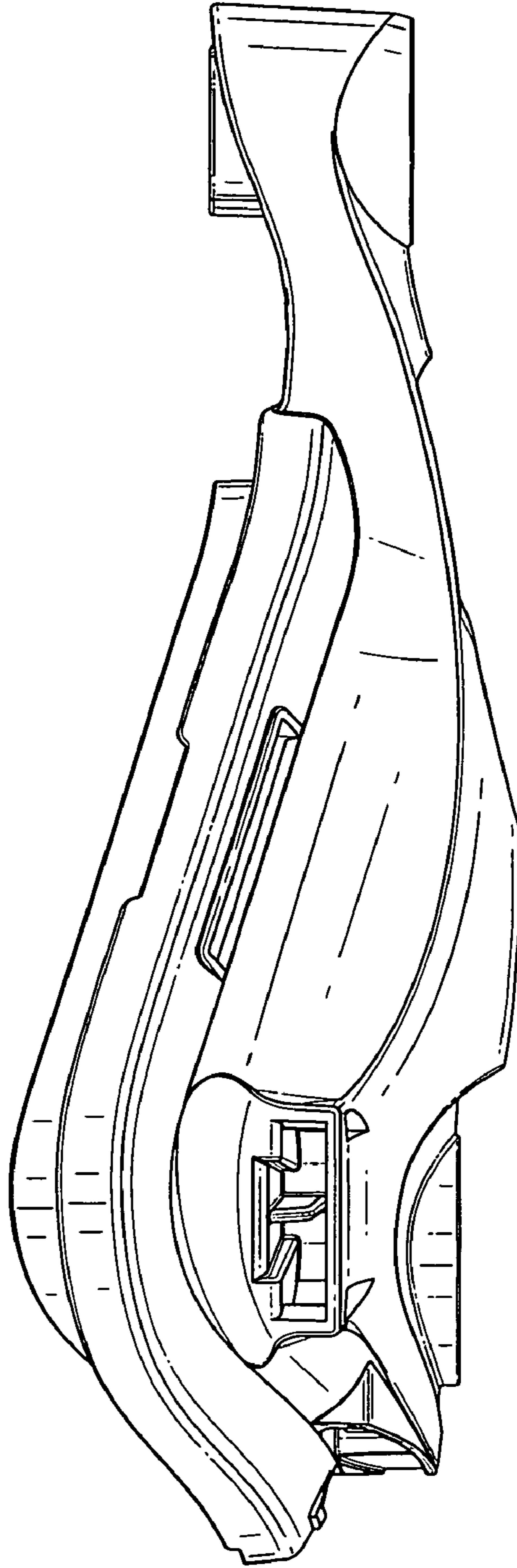


Fig. 4

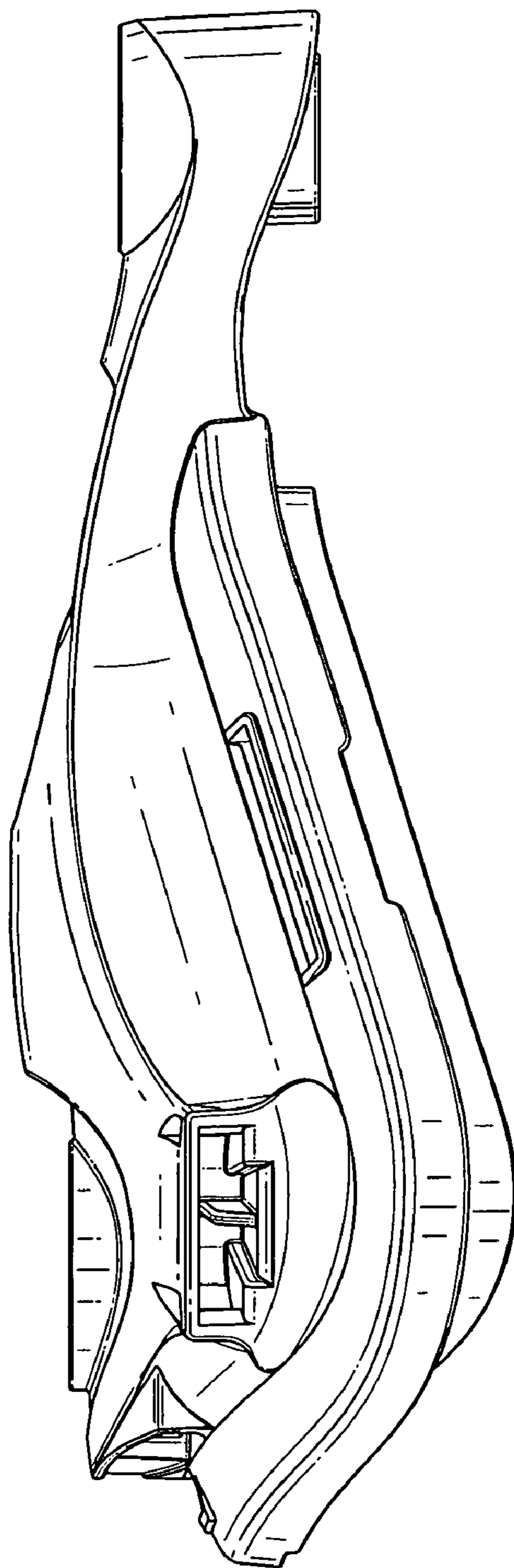


Fig. 5

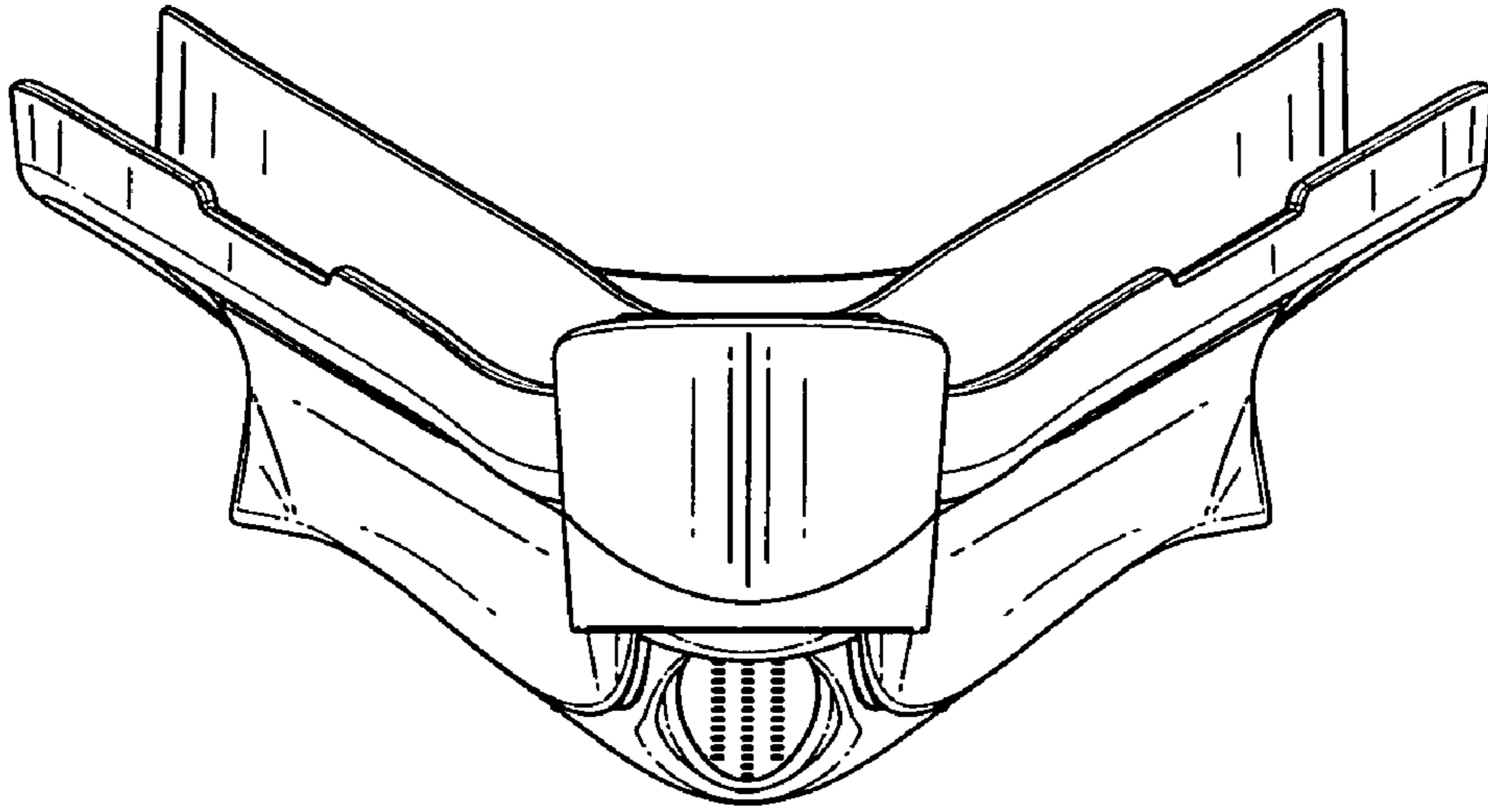


Fig. 6

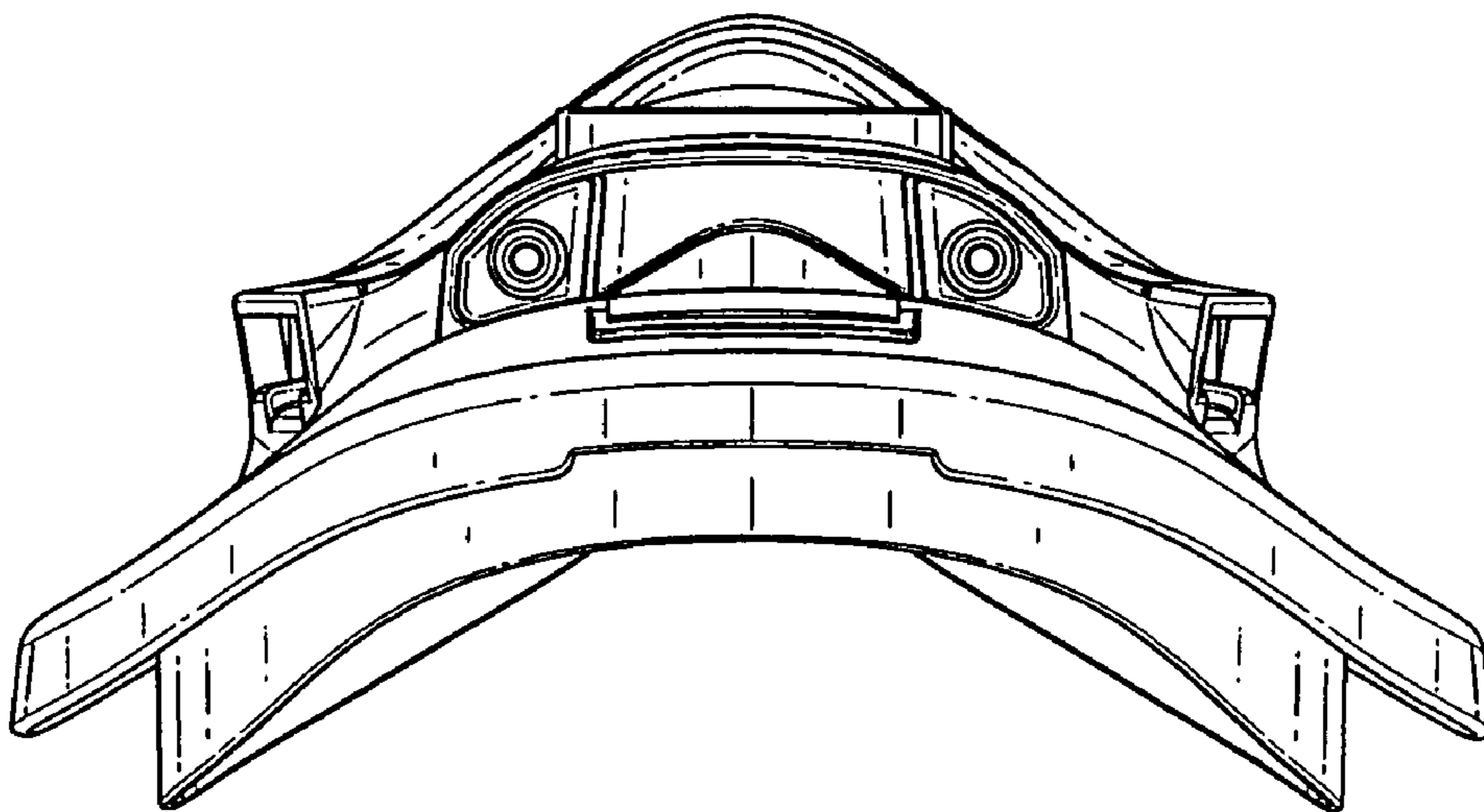


Fig. 7

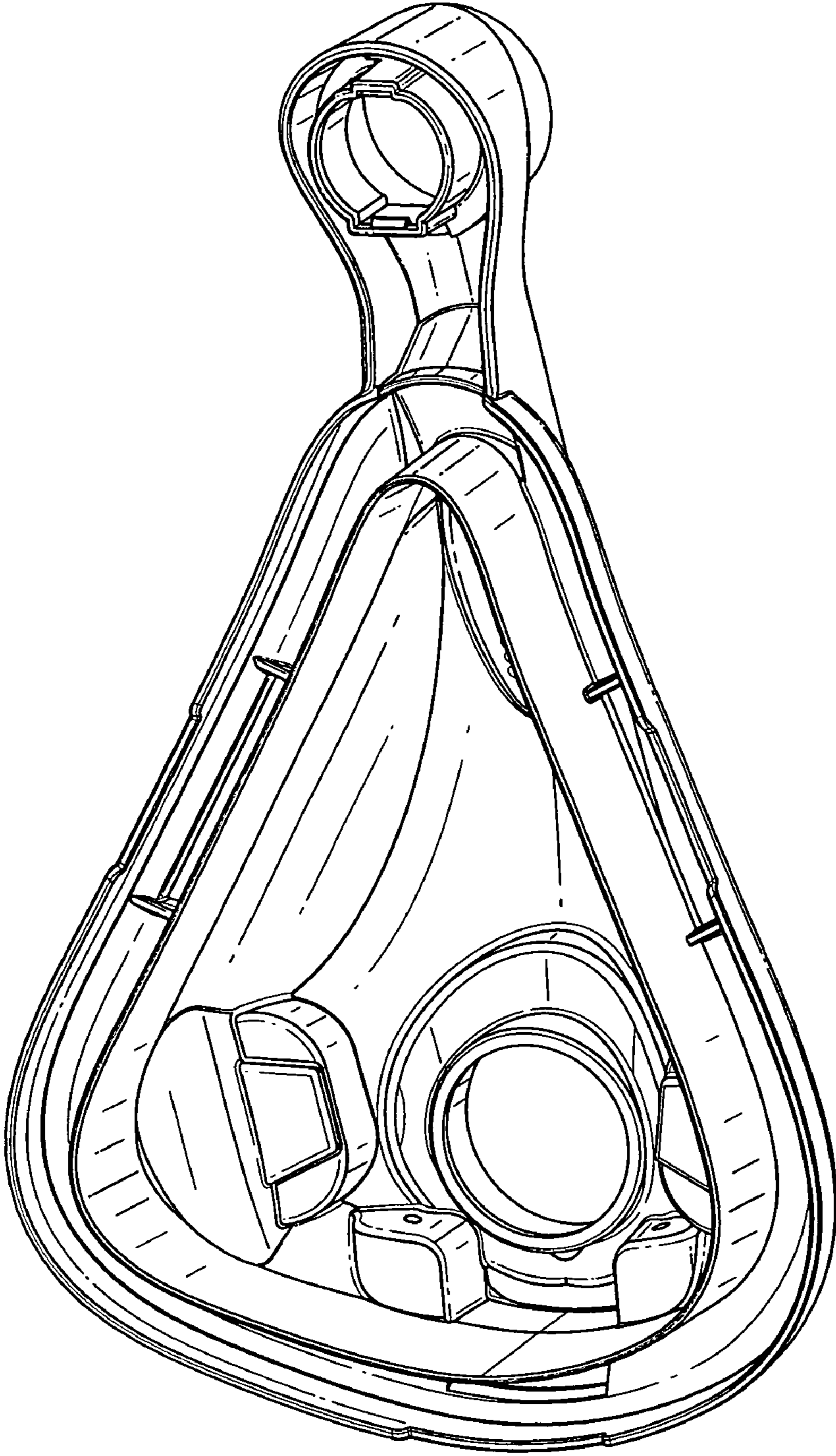


Fig. 8

UNITED STATES PATENT AND TRADEMARK OFFICE
CERTIFICATE OF CORRECTION

PATENT NO. : D586,906 S
APPLICATION NO. : 29/251703
DATED : February 17, 2009
INVENTOR(S) : Stallard et al.

Page 1 of 1

It is certified that error appears in the above-identified patent and that said Letters Patent is hereby corrected as shown below:

On the title page item [75], delete “(75) Inventors: Philip Thomas Stallard, Denistone East (AU); Scott Alexander Howard, Harbord (AU); Vincent Chu, Little Bay (AU); Susan Robyn Lynch, Epping (AU); Errol Savio Alex D’Souza, Hornsby (AU); Lee James Veliss, West Ryde (AU); Eva Ng, Double Bay (AU)”

insert

--(75) Inventors: Philip Thomas Stallard, Denistone East (AU); Scott Alexander Howard, Harbord (AU); Vincent Chu, Little Bay (AU); Susan Robyn Lynch, Epping (AU); Eva Ng, Double Bay (AU); Murray William Lee, Quakers Hill (AU)--.

Signed and Sealed this
Ninth Day of February, 2016



Michelle K. Lee
Director of the United States Patent and Trademark Office