



US00D586902S

(12) **United States Design Patent**
Orozco

(10) **Patent No.:** **US D586,902 S**
(45) **Date of Patent:** **** Feb. 17, 2009**

(54) **CEILING FAN HOUSING**
(75) Inventor: **Sergio Orozco**, New York, NY (US)
(73) Assignee: **Chien Luen Industries Co., Ltd., Inc.**,
Fort Lauderdale, FL (US)
(**) Term: **14 Years**

D454,636 S 3/2002 Lantz
D459,467 S 6/2002 Wilson, Jr.
D462,756 S 9/2002 Liu
D464,723 S 10/2002 Fok
D469,950 S 2/2003 Scalise et al.
D479,874 S 9/2003 Shapiro
D480,466 S 10/2003 Bucher et al.
D480,471 S 10/2003 Hsieh

(21) Appl. No.: **29/320,382**
(22) Filed: **Jun. 26, 2008**

(Continued)

Primary Examiner—Lisa P Lichtenstein
(74) *Attorney, Agent, or Firm*—Brian S. Steinberger; Law
Offices of Brian S. Steinberger, P.A.

(51) **LOC (9) Cl.** **23-04**
(52) **U.S. Cl.** **D23/411**
(58) **Field of Classification Search** D23/377,
D23/379, 385, 411, 413; 416/5
See application file for complete search history.

(57) **CLAIM**

The ornamental design for a ceiling fan housing, as shown
and described.

(56) **References Cited**

DESCRIPTION

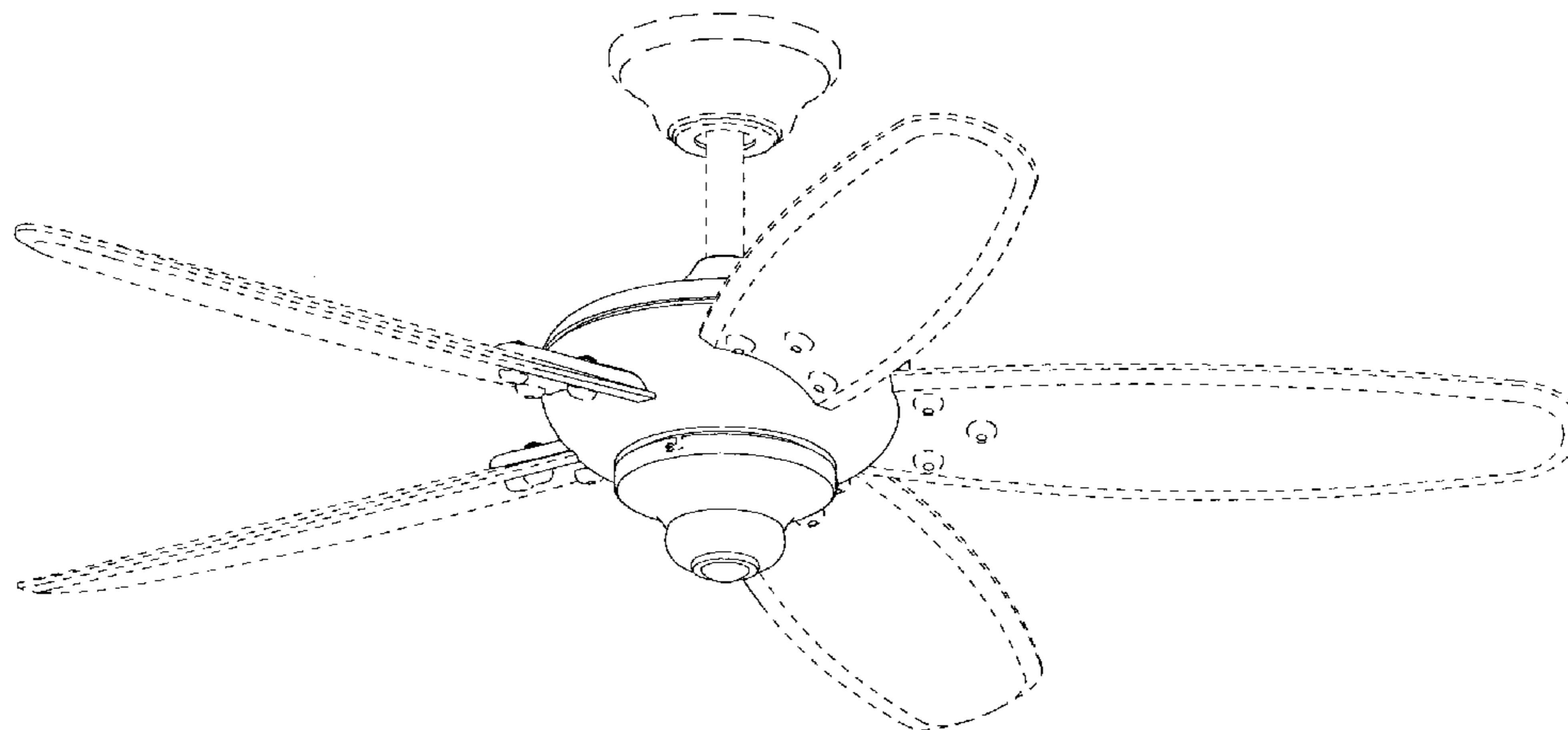
U.S. PATENT DOCUMENTS

| | | | |
|--------------|---------|-------------------|---------------|
| D307,320 S | 4/1990 | Shin-Chin | |
| D322,669 S | 12/1991 | Yamamoto et al. | |
| D323,885 S | 2/1992 | Wortham | |
| D329,284 S | 9/1992 | Patton | |
| D361,377 S * | 8/1995 | Tsuji | D23/377 |
| D364,224 S | 11/1995 | Wang | |
| D371,838 S | 7/1996 | Davis, Jr. et al. | |
| D378,404 S | 3/1997 | Jasper-Fayer | |
| D384,738 S | 10/1997 | Jane | |
| D402,026 S | 12/1998 | Chuang et al. | |
| D408,518 S | 4/1999 | Liu | |
| D411,295 S | 6/1999 | Evans | |
| D412,571 S | 8/1999 | Lee | |
| D414,856 S | 10/1999 | Zuege | |
| D416,617 S | 11/1999 | Jane et al. | |
| D421,799 S | 3/2000 | Zuege | |
| D422,072 S | 3/2000 | Blateri | |
| D423,093 S | 4/2000 | Fok | |
| D426,296 S | 6/2000 | Blateri | |
| D426,631 S | 6/2000 | Thakur | |
| D426,879 S | 6/2000 | Gajewski | |
| D443,352 S | 6/2001 | Lantz | |
| D444,552 S | 7/2001 | Wang | |
| D450,831 S * | 11/2001 | Hsieh | D23/377 |
| D451,997 S | 12/2001 | Schwartz | |

FIG. 1 is a lower front side perspective view of a ceiling fan housing.
FIG. 2 is an upper front side perspective view of the first embodiment design of FIG. 1.
FIG. 3 is a front side view of the first embodiment design of FIG. 1.
FIG. 4 is a rear side view of the first embodiment design of FIG. 1.
FIG. 5 is a right side view of the first embodiment design of FIG. 1.
FIG. 6 is a left side view of the first embodiment design of FIG. 1.
FIG. 7 is a top view of the first embodiment design of FIG. 1; and,
FIG. 8 is a bottom view of the first embodiment design of FIG. 1.

The broken line showing of the canopy, support rod, fan blades, and motor vent openings is included for the purpose of illustrating environmental structure and forms no part of the claimed design.

1 Claim, 8 Drawing Sheets



US D586,902 S

Page 2

U.S. PATENT DOCUMENTS

| | | | | | | |
|------------|---------|---------------|--------------|---------|---------------|---------|
| D482,778 S | 11/2003 | Shapiro | D496,119 S | 9/2004 | Bucher et al. | |
| D483,466 S | 12/2003 | Shapiro | D497,022 S | 10/2004 | Bucher et al. | |
| D484,234 S | 12/2003 | Wilson, Jr. | D500,160 S | 12/2004 | Bucher et al. | |
| D486,216 S | 2/2004 | Wilson, Jr. | D500,161 S | 12/2004 | Bucher et al. | |
| D486,217 S | 2/2004 | Shapiro | D500,876 S | 1/2005 | Bucher et al. | |
| D486,218 S | 2/2004 | Shapiro | D519,628 S * | 4/2006 | Young | D23/411 |
| D486,222 S | 2/2004 | Shapiro | D523,137 S | 6/2006 | Wang | |
| D488,551 S | 4/2004 | Shapiro | D557,793 S * | 12/2007 | Curtin | D23/411 |
| D495,817 S | 9/2004 | Bucher et al. | | | | |

* cited by examiner

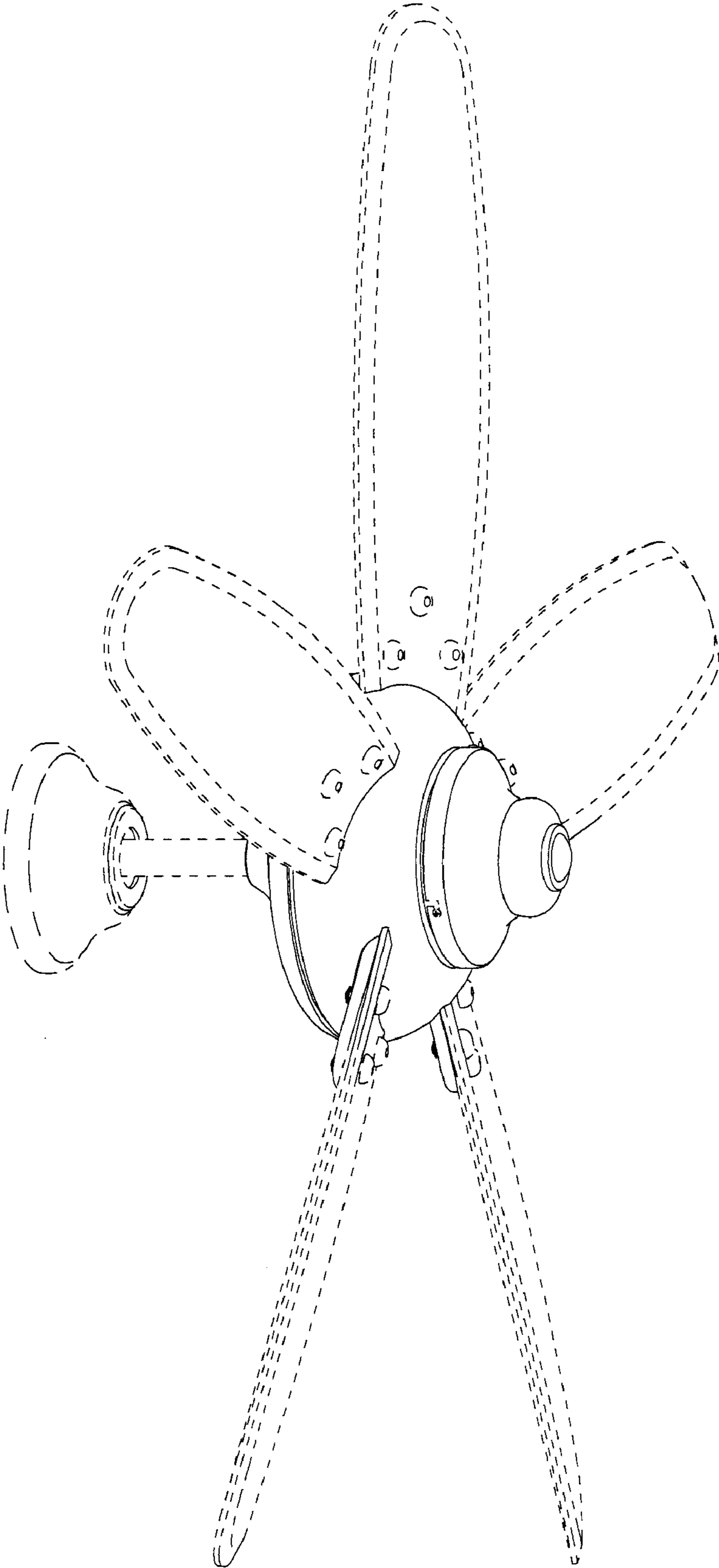


Fig. 1

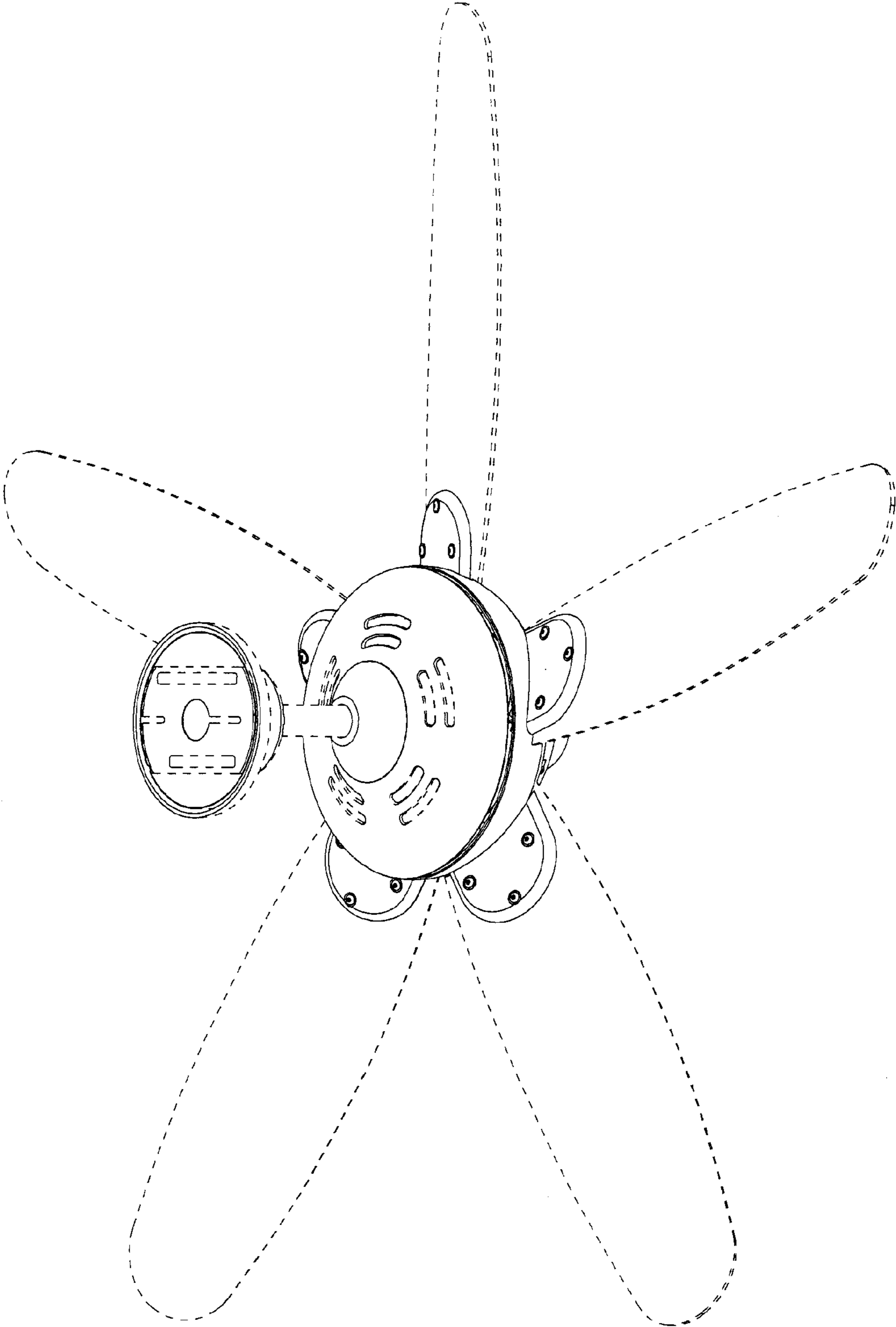


Fig. 2

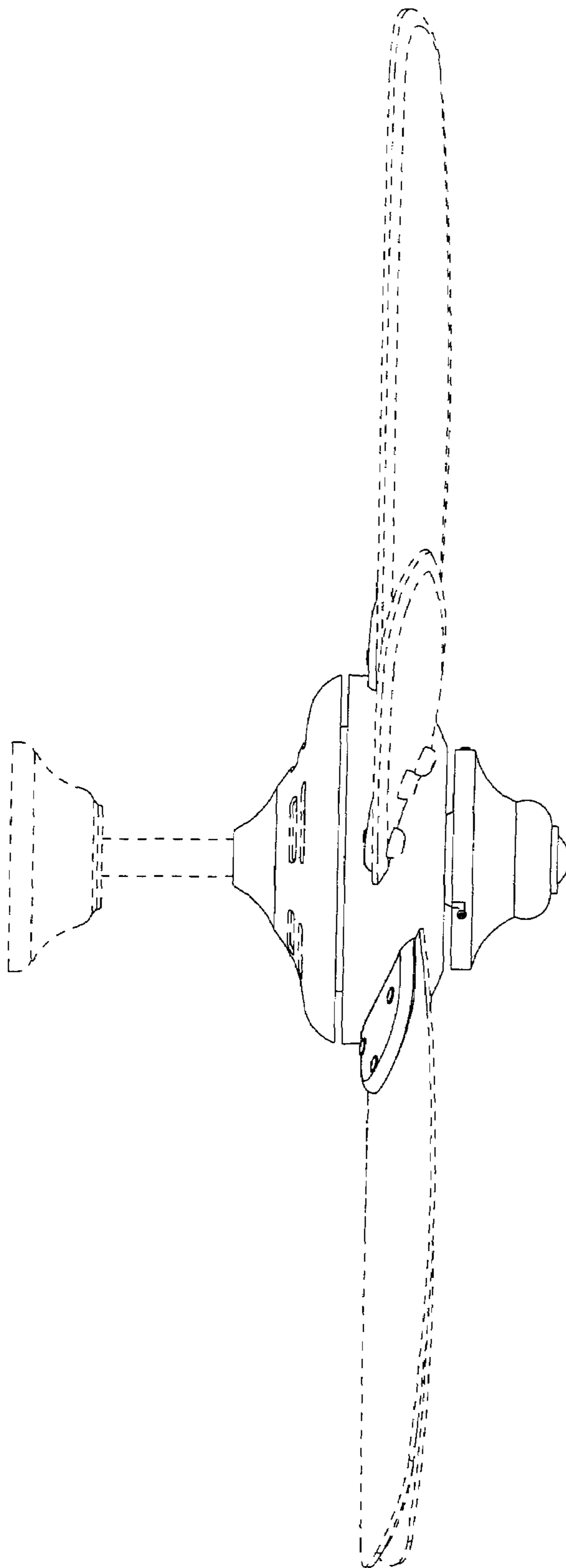


Fig. 3

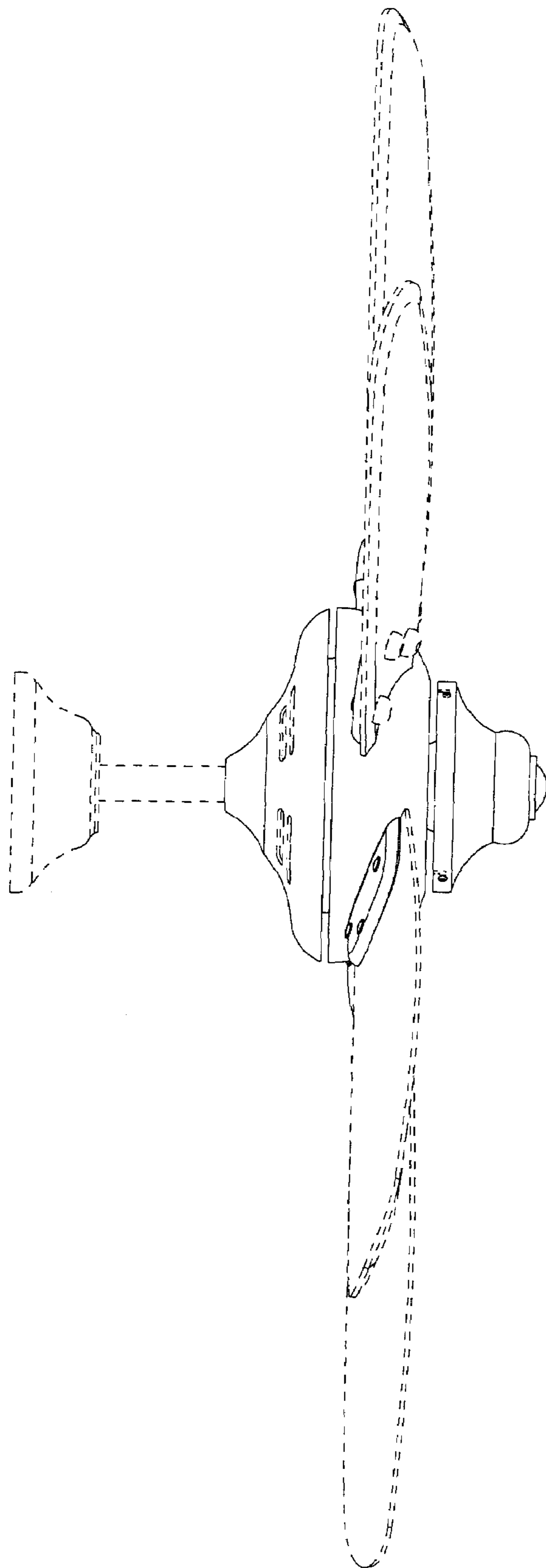


Fig. 4

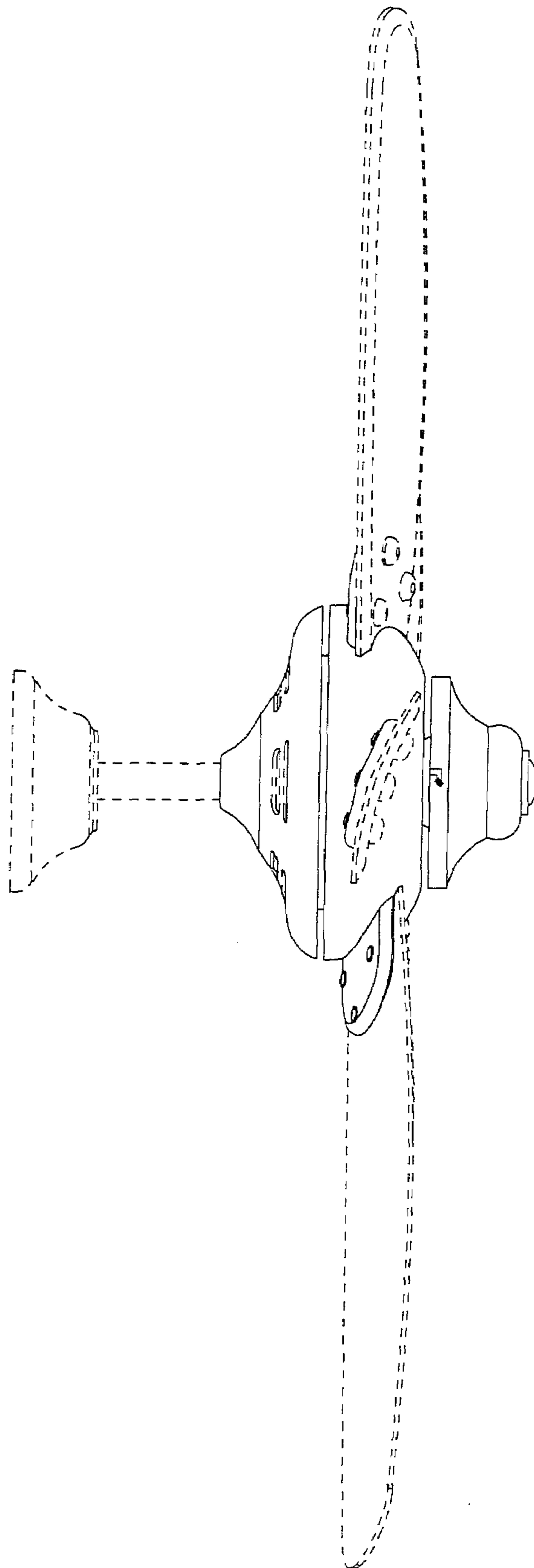


Fig. 5

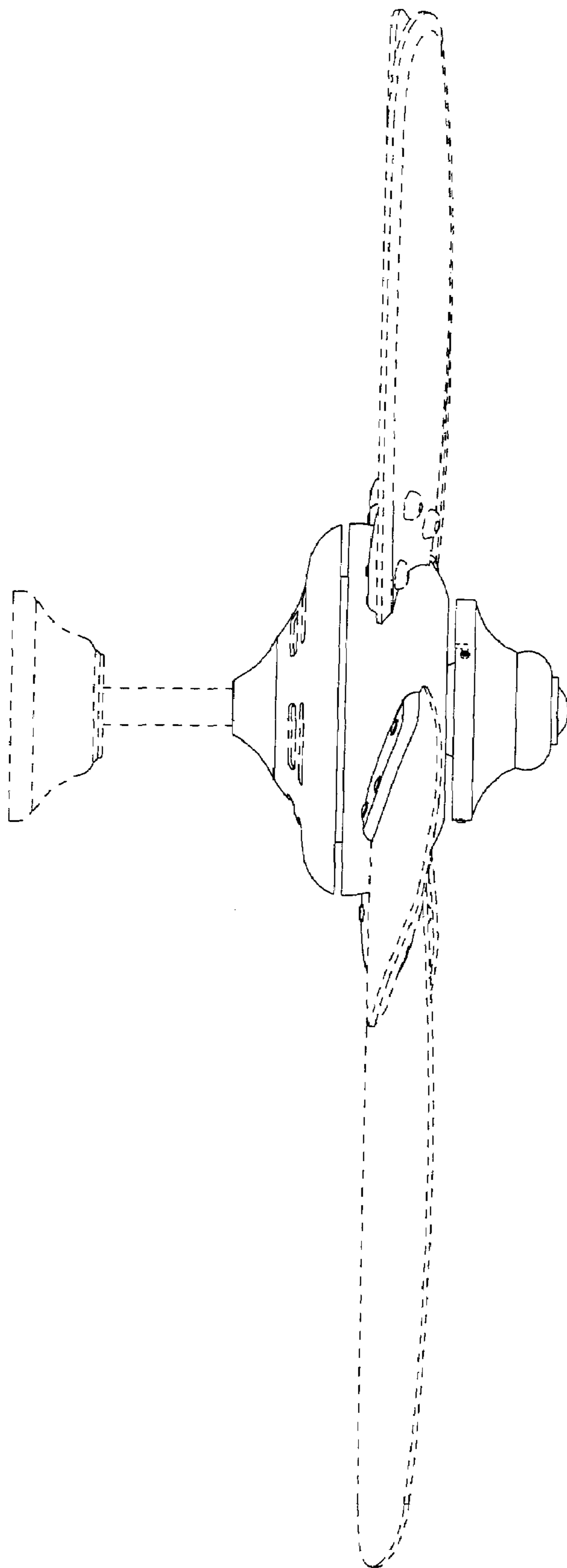


Fig. 6

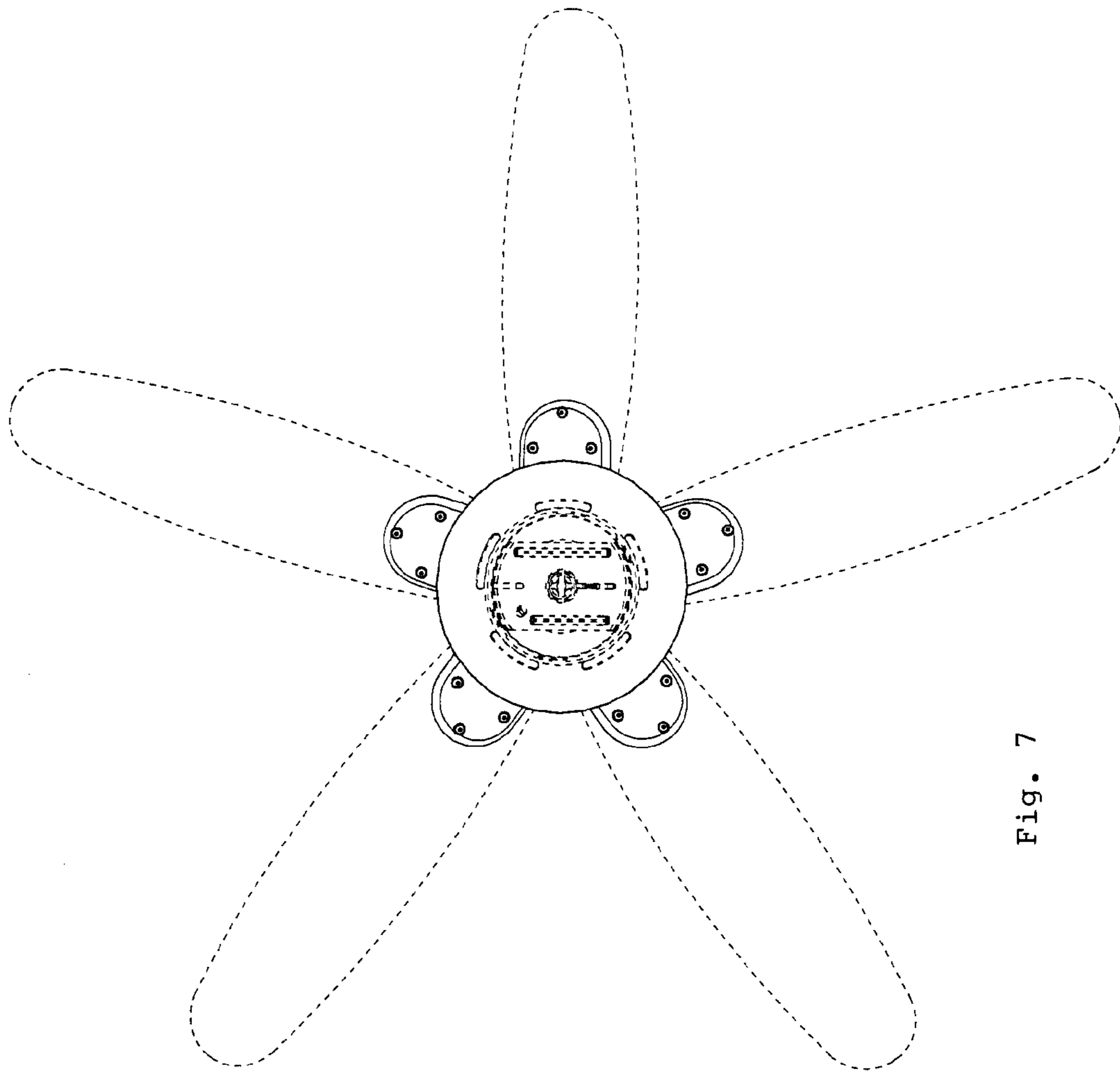


Fig. 7

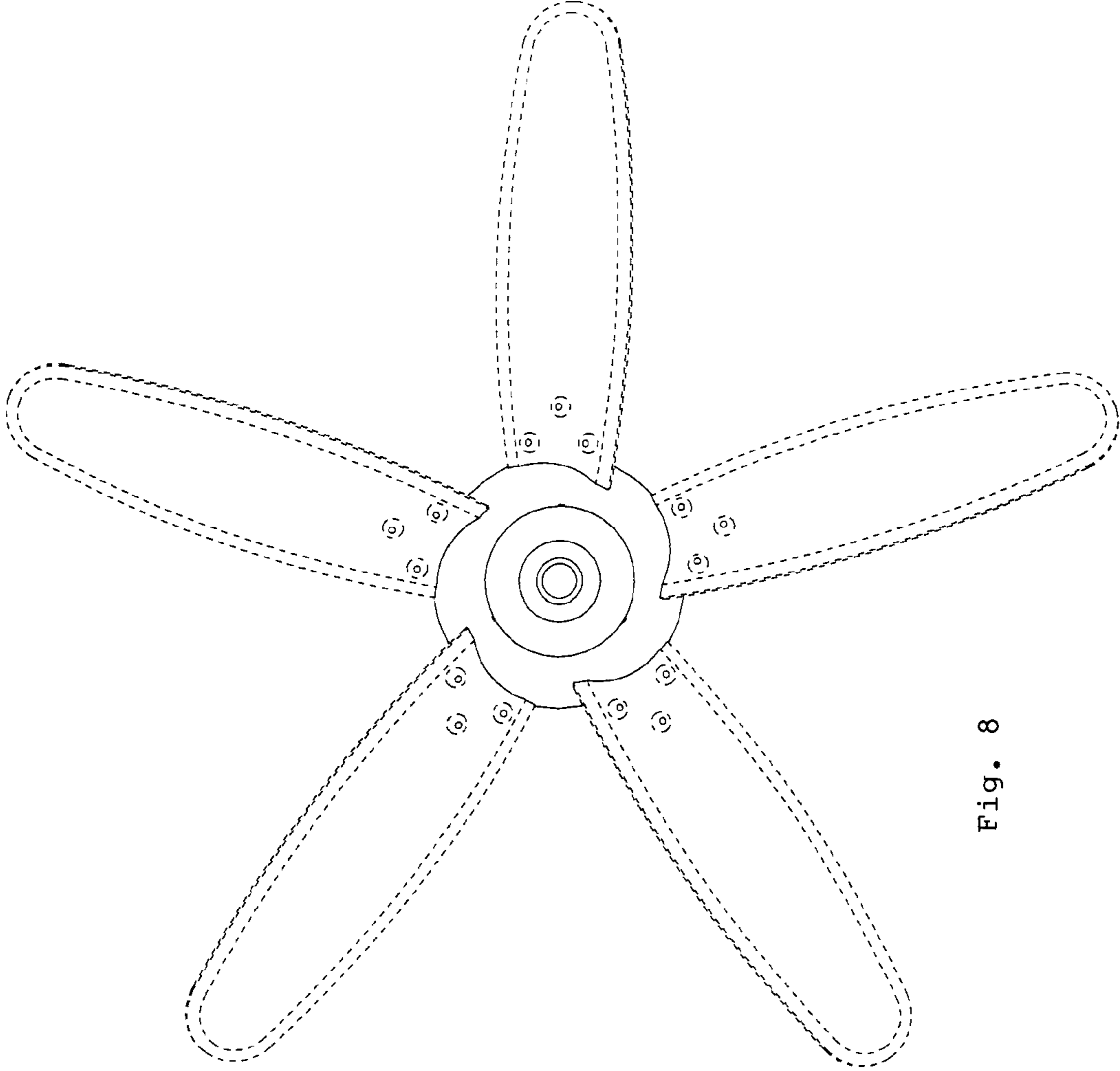


Fig. 8