



US00D586900S

(12) **United States Design Patent**
Weggelaar

(10) **Patent No.:** **US D586,900 S**
(45) **Date of Patent:** **** Feb. 17, 2009**

(54) **AIR DEODORIZING APPARATUS**
(75) Inventor: **Bjorn Weggelaar**, Haarlem (NL)
(73) Assignee: **Sara Lee Household and Body Care**
Nederland B.V., Utrecht (NL)

D534,265 S 12/2006 Weggelaar
D535,735 S * 1/2007 Ruiz Ballesteros et al. . D23/366
D550,344 S 9/2007 Weggelaar
D561,319 S 2/2008 Weggelaar
D573,941 S * 7/2008 Song D12/579

(**) Term: **14 Years**
(21) Appl. No.: **29/321,376**
(22) Filed: **Jul. 15, 2008**

OTHER PUBLICATIONS
U.S. Appl. No. 29/295,589, filed Oct. 2, 2007, Weggelaar.
* cited by examiner

Primary Examiner—Sandra Snapp
(74) *Attorney, Agent, or Firm*—Foley & Lardner LLP

(30) **Foreign Application Priority Data**
Mar. 12, 2008 (EM) 000896758-0001

(57) **CLAIM**

We claim the ornamental design for an air deodorizing apparatus, as shown and described.

(51) **LOC (9) Cl.** **28-99**
(52) **U.S. Cl.** **D23/366**
(58) **Field of Classification Search** D23/355–396;
261/DIG. 17, DIG. 43, DIG. 65, DIG. 88,
261/DIG. 89; 239/34, 35, 53, 56, 57, 60,
239/136, 326; 392/386, 394, 395; D28/5,
D28/6

DESCRIPTION

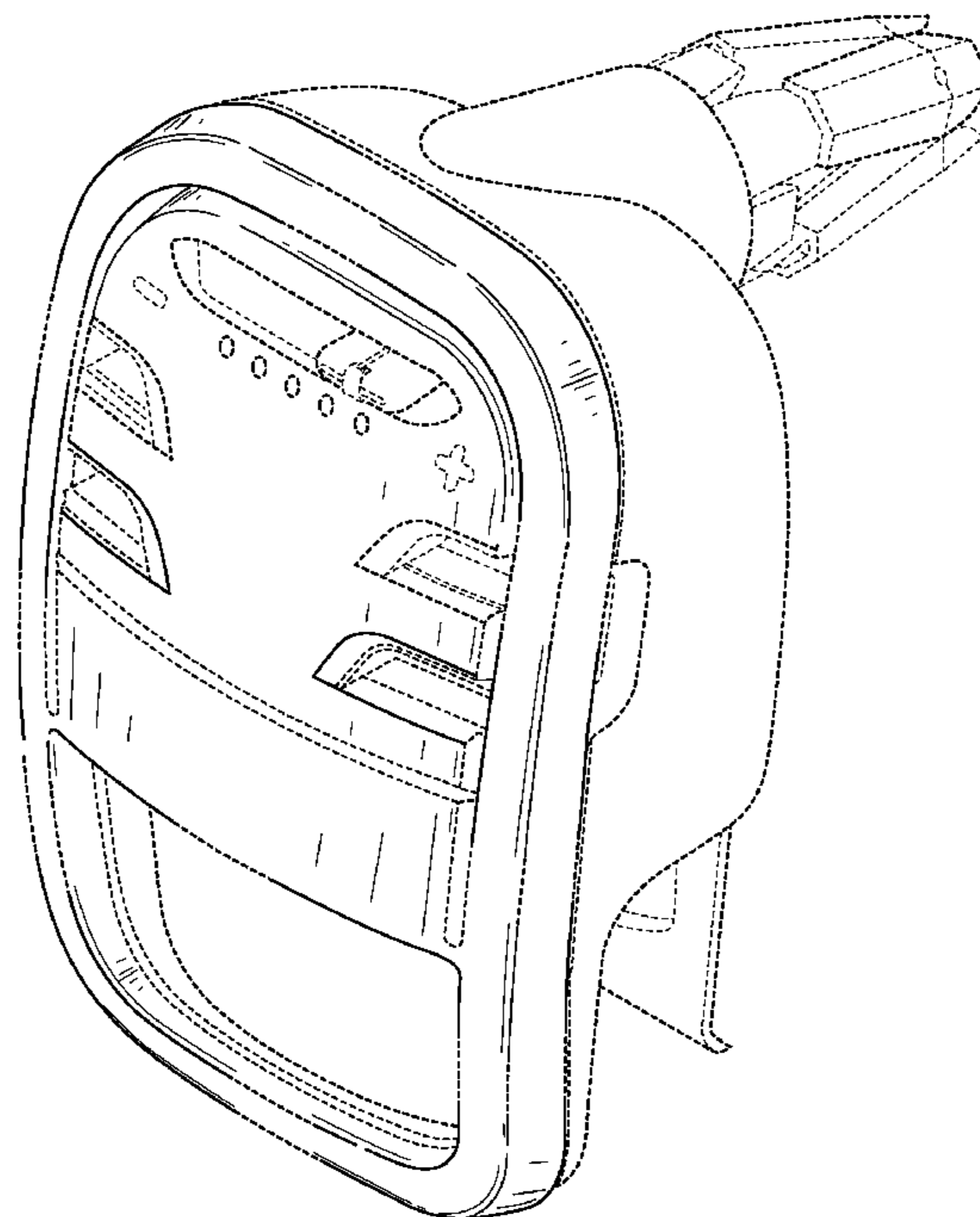
FIG. 1 is a front perspective view of the claimed design;
FIG. 2 is a rear perspective view of FIG. 1;
FIG. 3 is a front view of FIG. 1;
FIG. 4 is a rear view of FIG. 1;
FIG. 5 is a right side view of FIG. 1;
FIG. 6 is a left side view of FIG. 1;
FIG. 7 is a top view of FIG. 1; and,
FIG. 8 is a bottom view of FIG. 1.

See application file for complete search history.

The ornamental design which is claimed is shown in solid lines in the drawings. The broken lines in the drawings are for illustrative purposes only and form no part of the claimed design.

(56) **References Cited**
U.S. PATENT DOCUMENTS
D452,955 S * 1/2002 Bulsink D9/517
D453,560 S * 2/2002 Van Brunt D23/355
D465,019 S * 10/2002 Wu D23/366
D480,792 S * 10/2003 Millan D23/366
D481,787 S * 11/2003 Millan D23/366
D485,340 S * 1/2004 Wu D23/366
D529,162 S 9/2006 Bulsink
D532,893 S * 11/2006 Wu D23/366

1 Claim, 8 Drawing Sheets



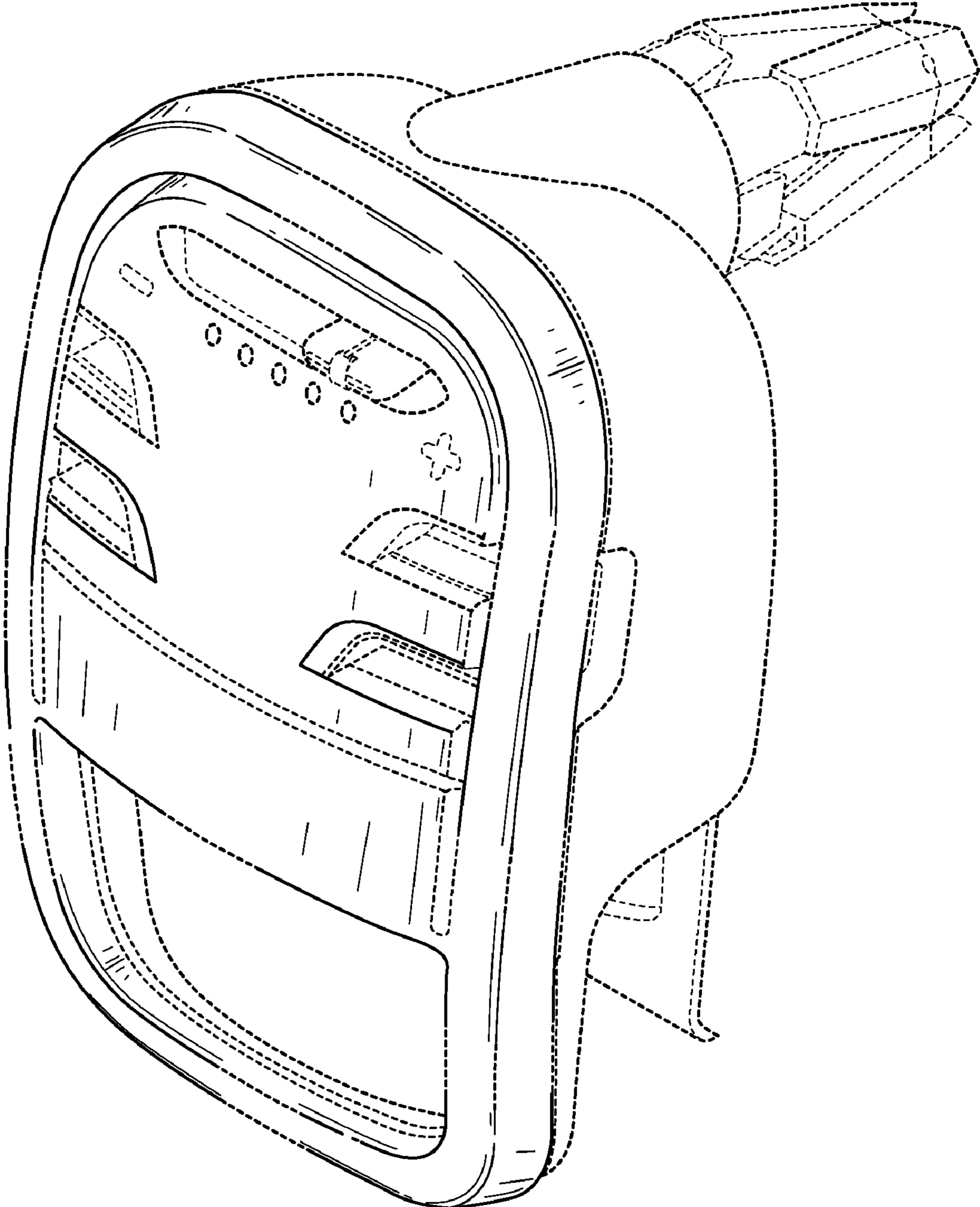


FIG. 1

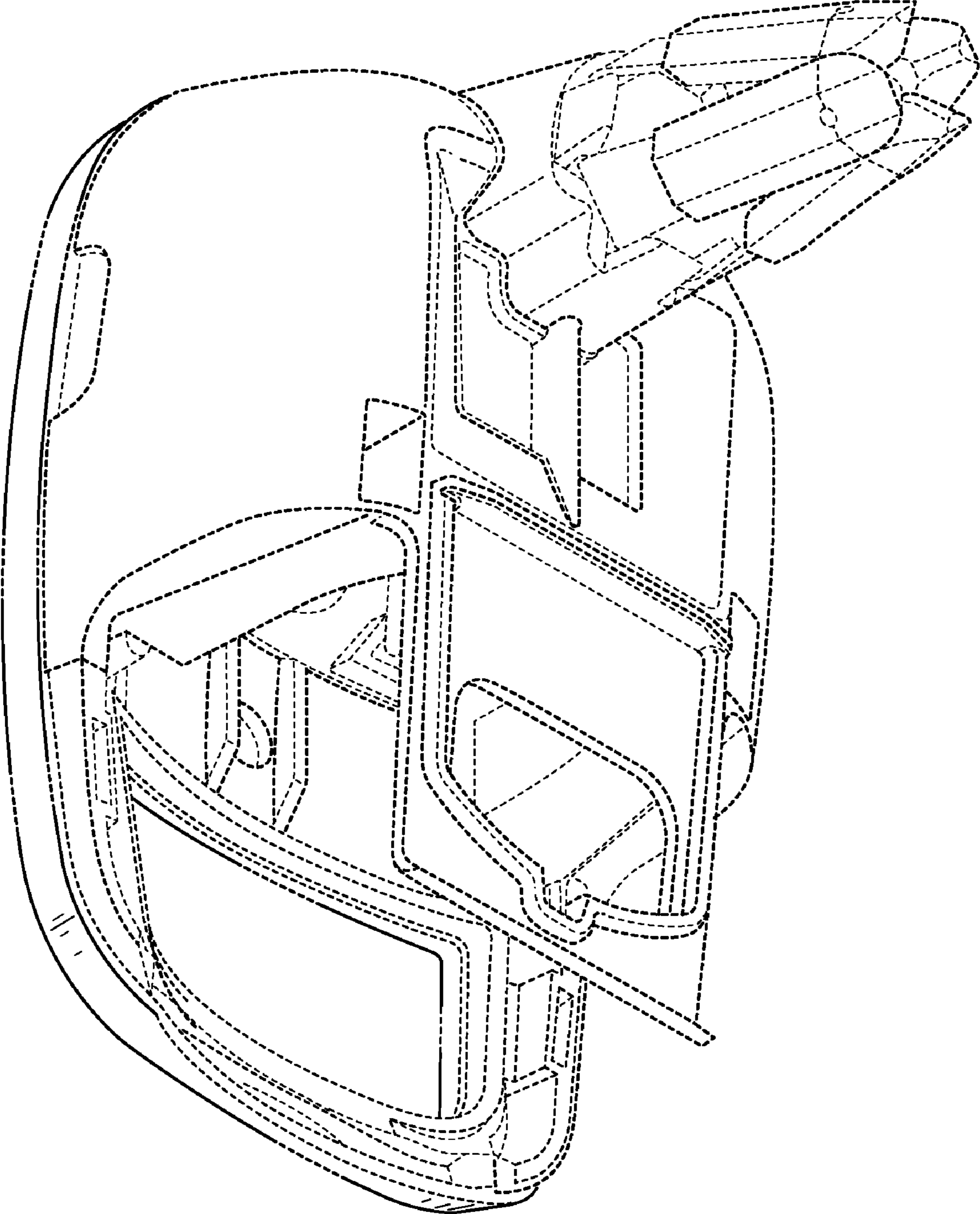


FIG. 2

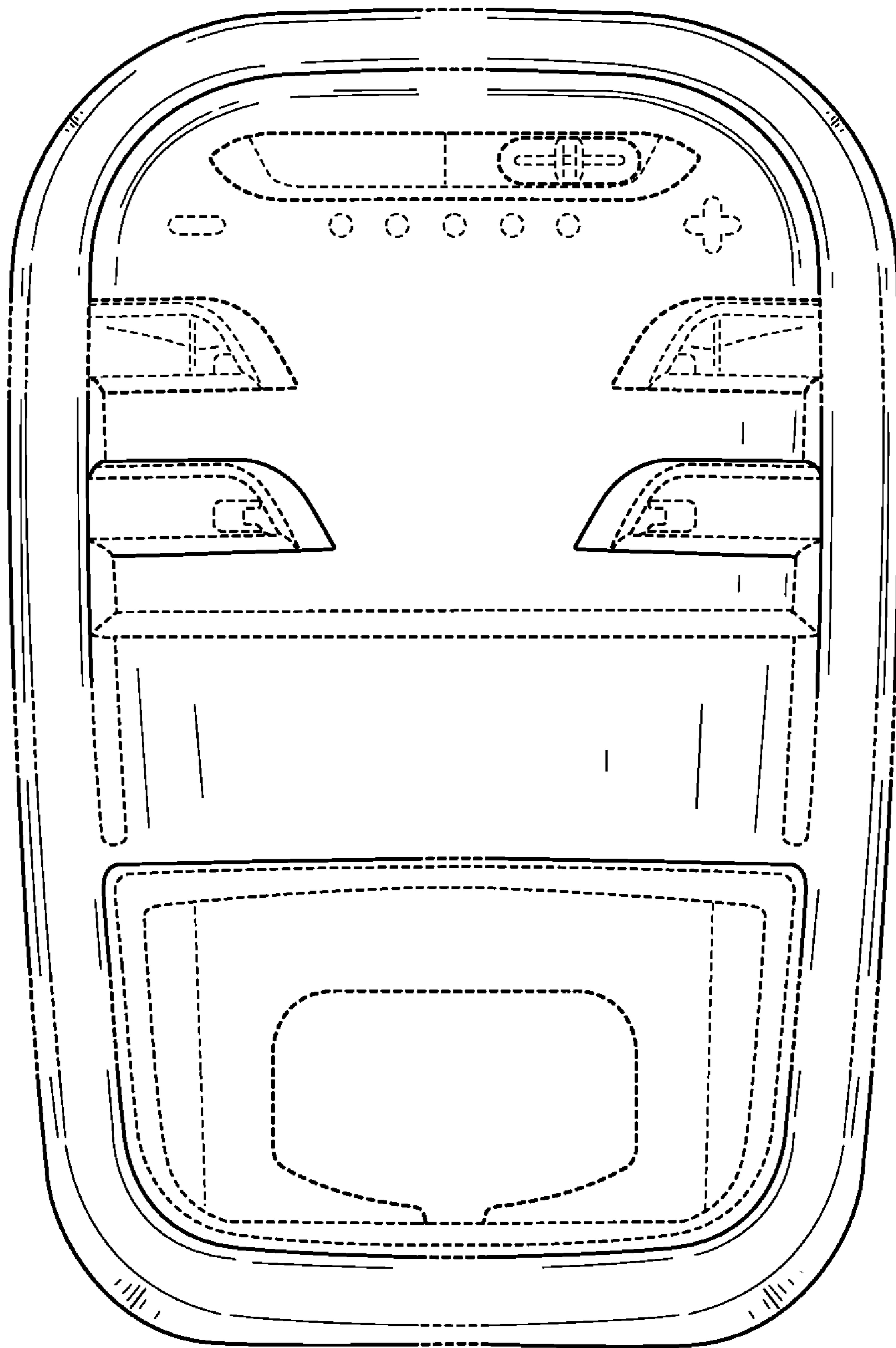


FIG. 3

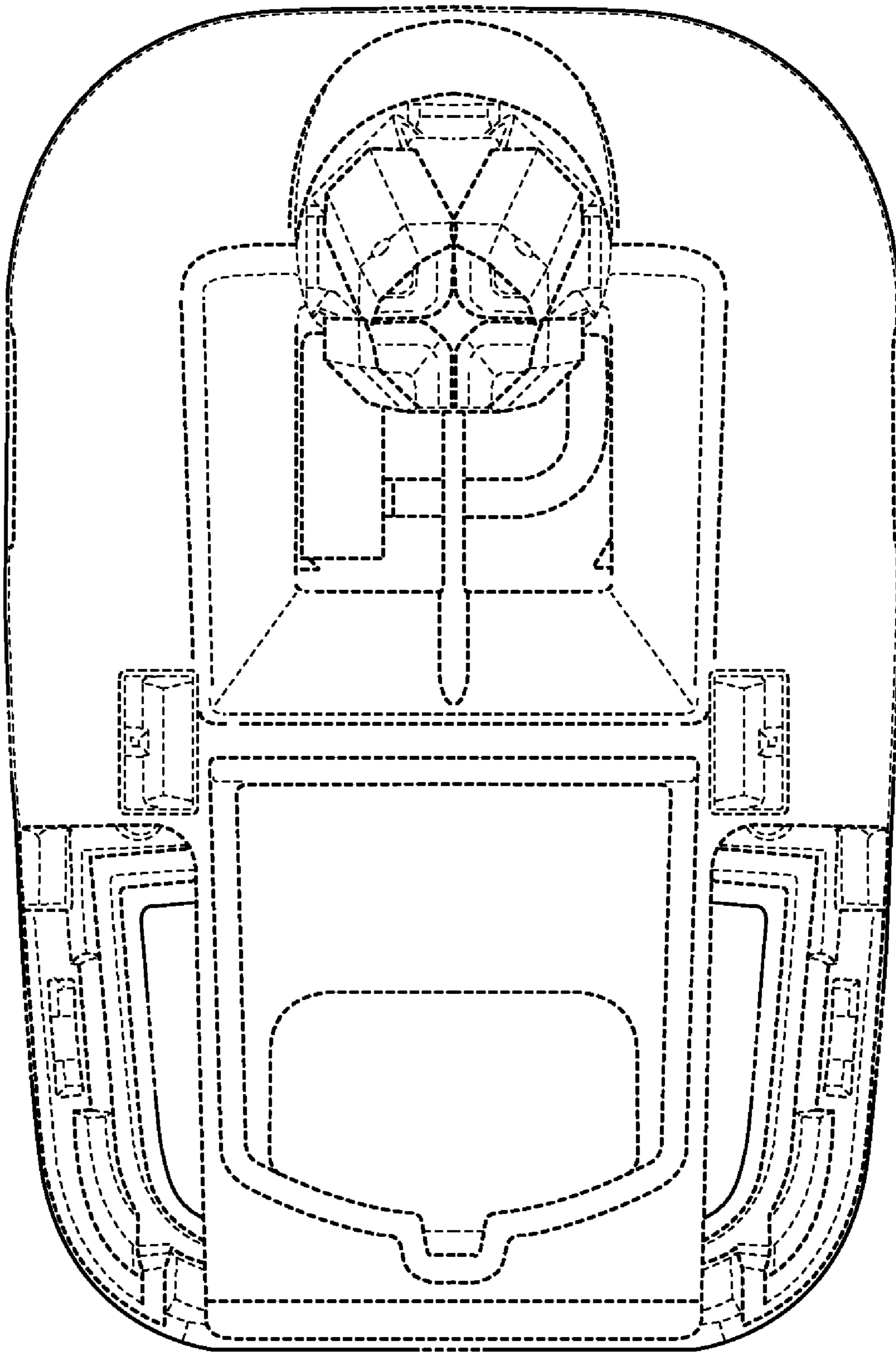


FIG. 4

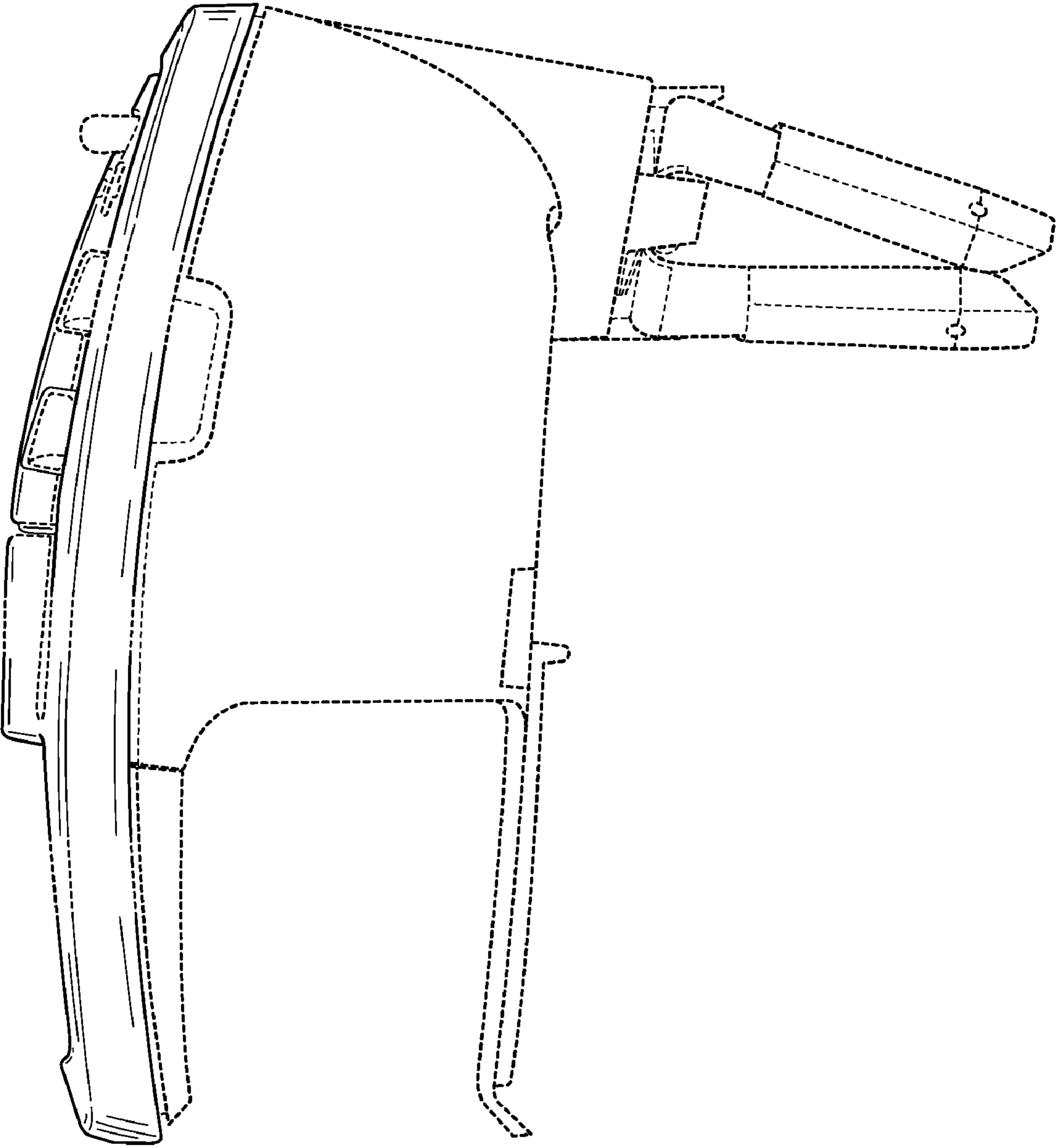


FIG. 5

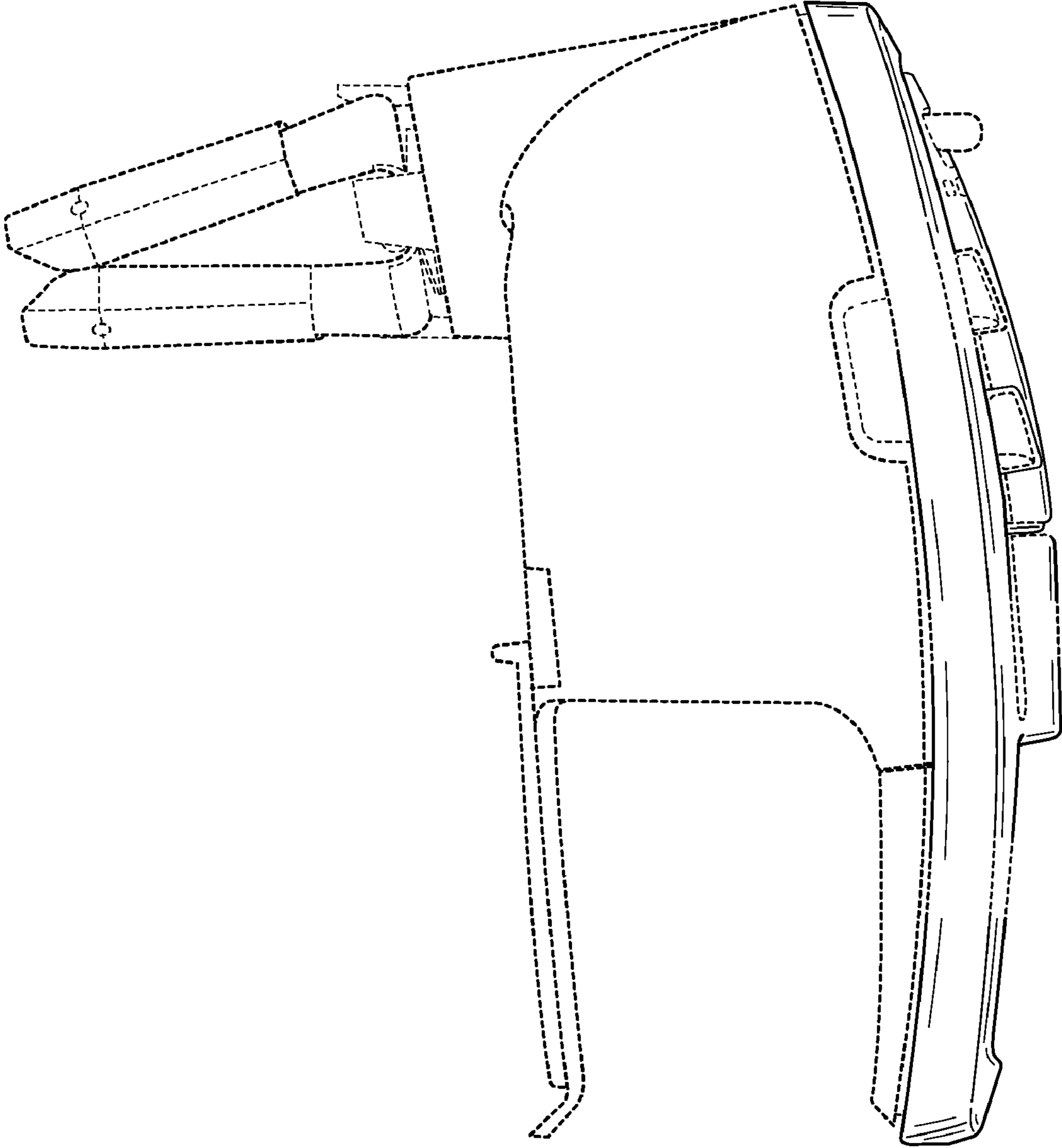


FIG. 6

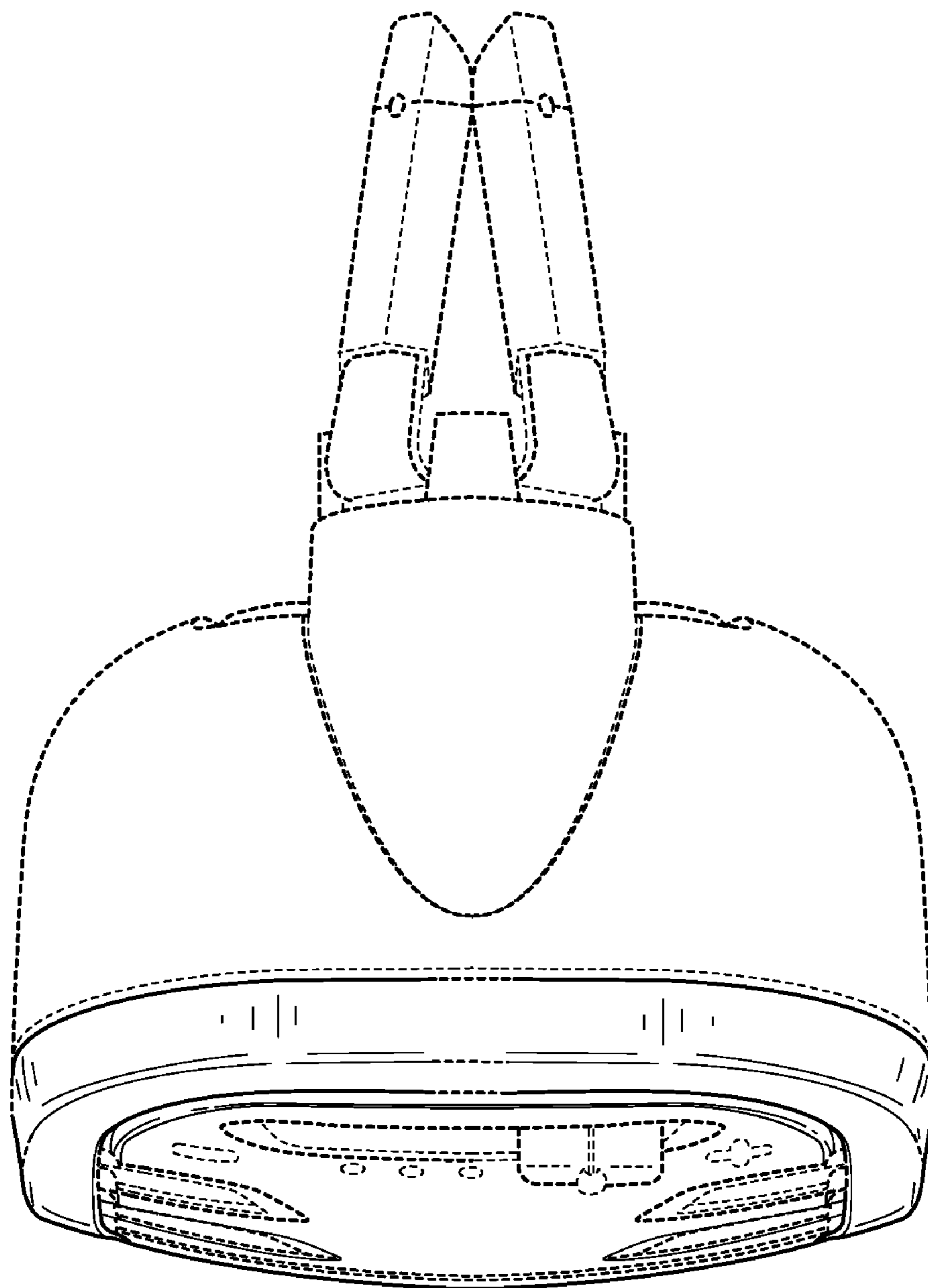


FIG. 7

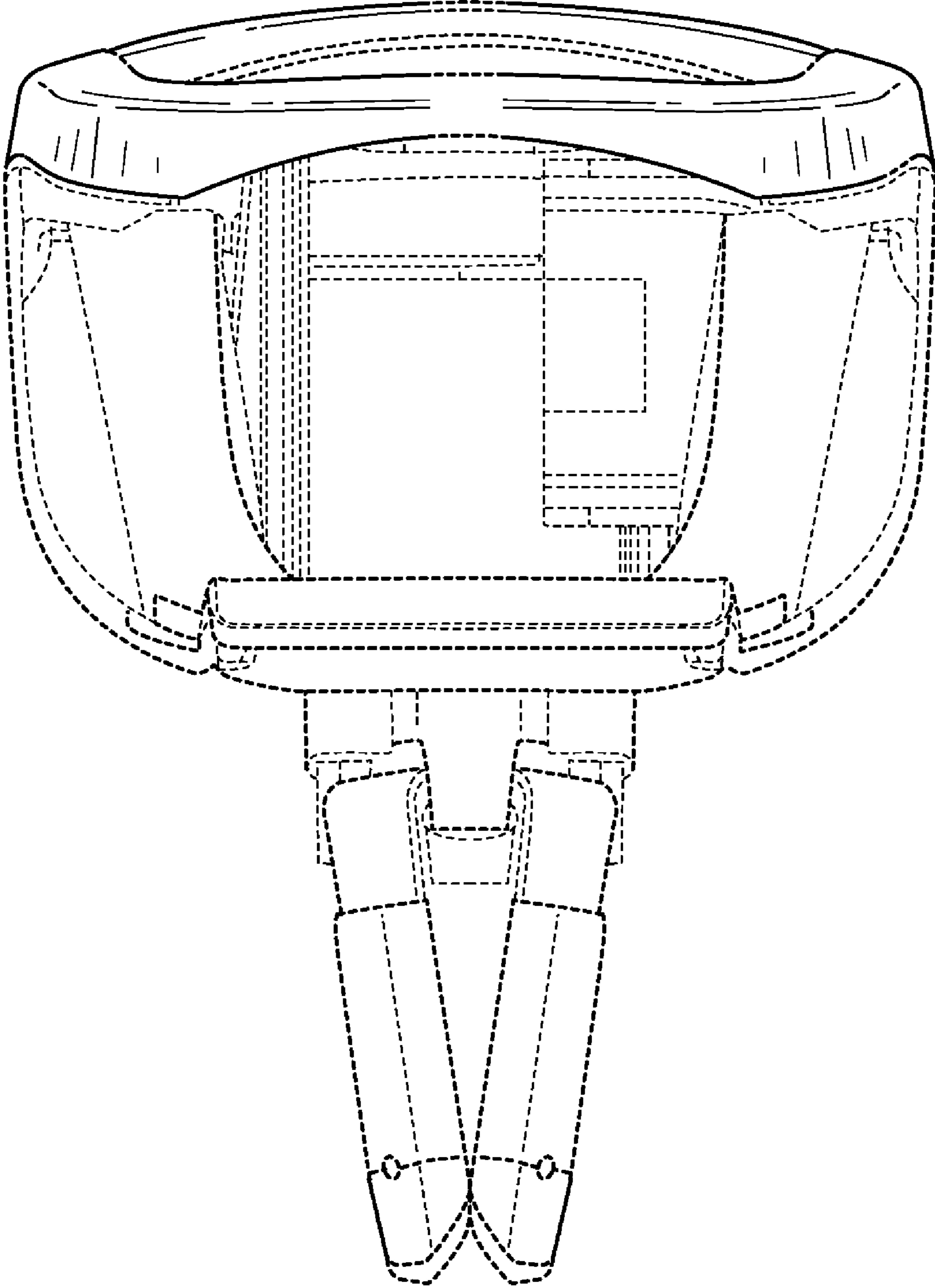


FIG. 8