



US00D586896S

(12) **United States Design Patent**
Toyohara

(10) **Patent No.:** **US D586,896 S**

(45) **Date of Patent:** **** Feb. 17, 2009**

(54) **WATER CLOSET**

(75) Inventor: **Atsushi Toyohara**, Kitakyusyu (JP)

(73) Assignee: **Toto Ltd.**, Kitakyusyu (JP)

(**) Term: **14 Years**

(21) Appl. No.: **29/297,938**

(22) Filed: **Nov. 21, 2007**

(30) **Foreign Application Priority Data**

Sep. 4, 2007 (JP) 2007-024020

(51) **LOC (9) Cl.** **23-02**

(52) **U.S. Cl.** **D23/301**

(58) **Field of Classification Search** D23/295,
D23/301, 303, 309, 299; 4/664, 300, 420,
4/DIG. 15

See application file for complete search history.

(56) **References Cited**

U.S. PATENT DOCUMENTS

D99,800 S * 5/1936 Hobbs D23/301

D271,690 S * 12/1983 Strobel D23/301
D350,820 S * 9/1994 Chiu D23/301
D489,437 S * 5/2004 Song D23/301
D501,917 S * 2/2005 Garza D23/301
D556,300 S * 11/2007 Lin et al. D23/295

* cited by examiner

Primary Examiner—Robert A Delehanty

(74) *Attorney, Agent, or Firm*—Birch, Stewart, Kolasch & Birch, LLP

(57) **CLAIM**

The ornamental design for a water closet, as shown and described.

DESCRIPTION

FIG. 1 is a perspective view of the top, front and right side of a water closet showing my new design;

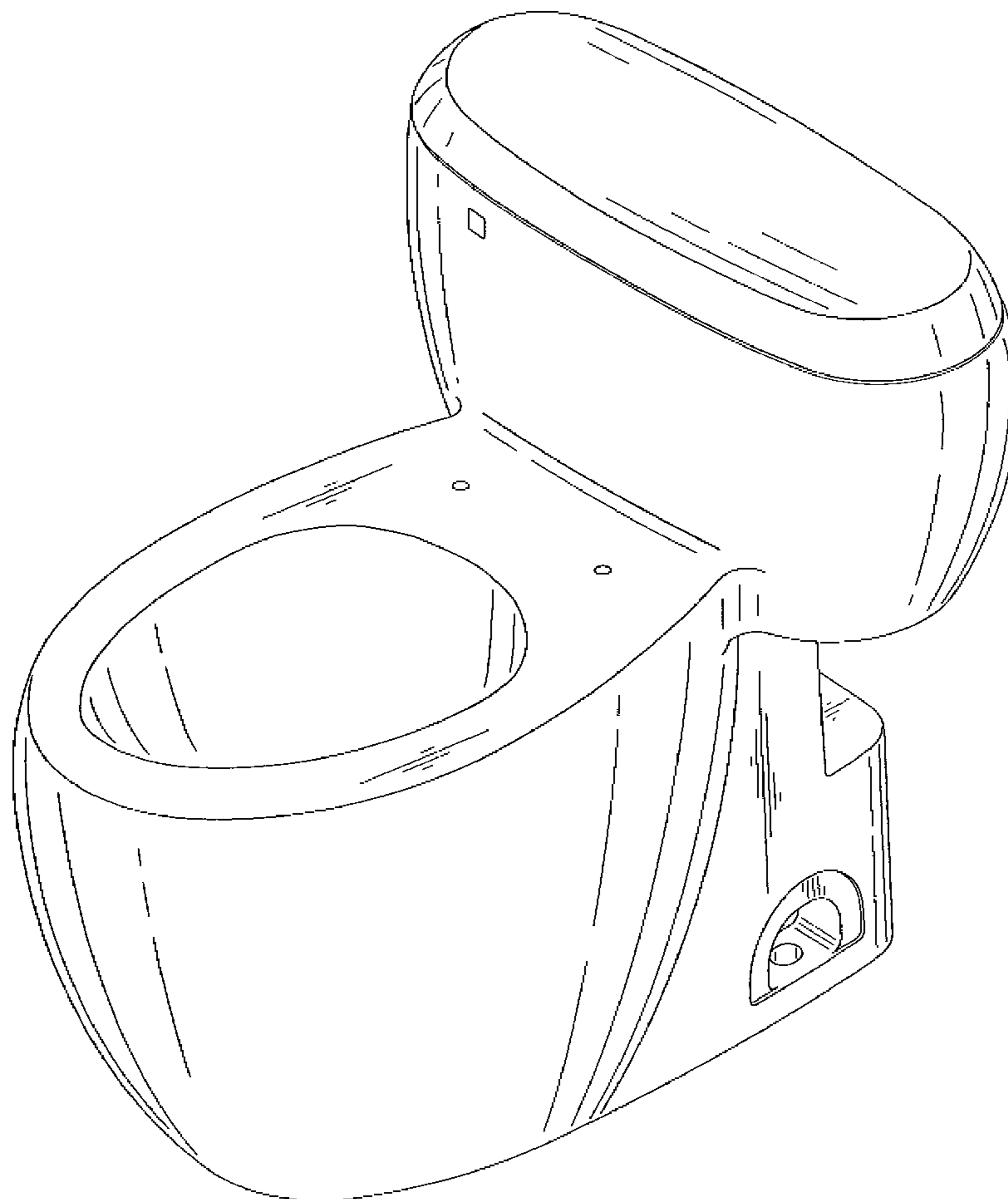
FIG. 2 is a front view thereof;

FIG. 3 is a left side view thereof;

FIG. 4 is a right side view thereof; and,

FIG. 5 is a top plan view thereof.

1 Claim, 5 Drawing Sheets



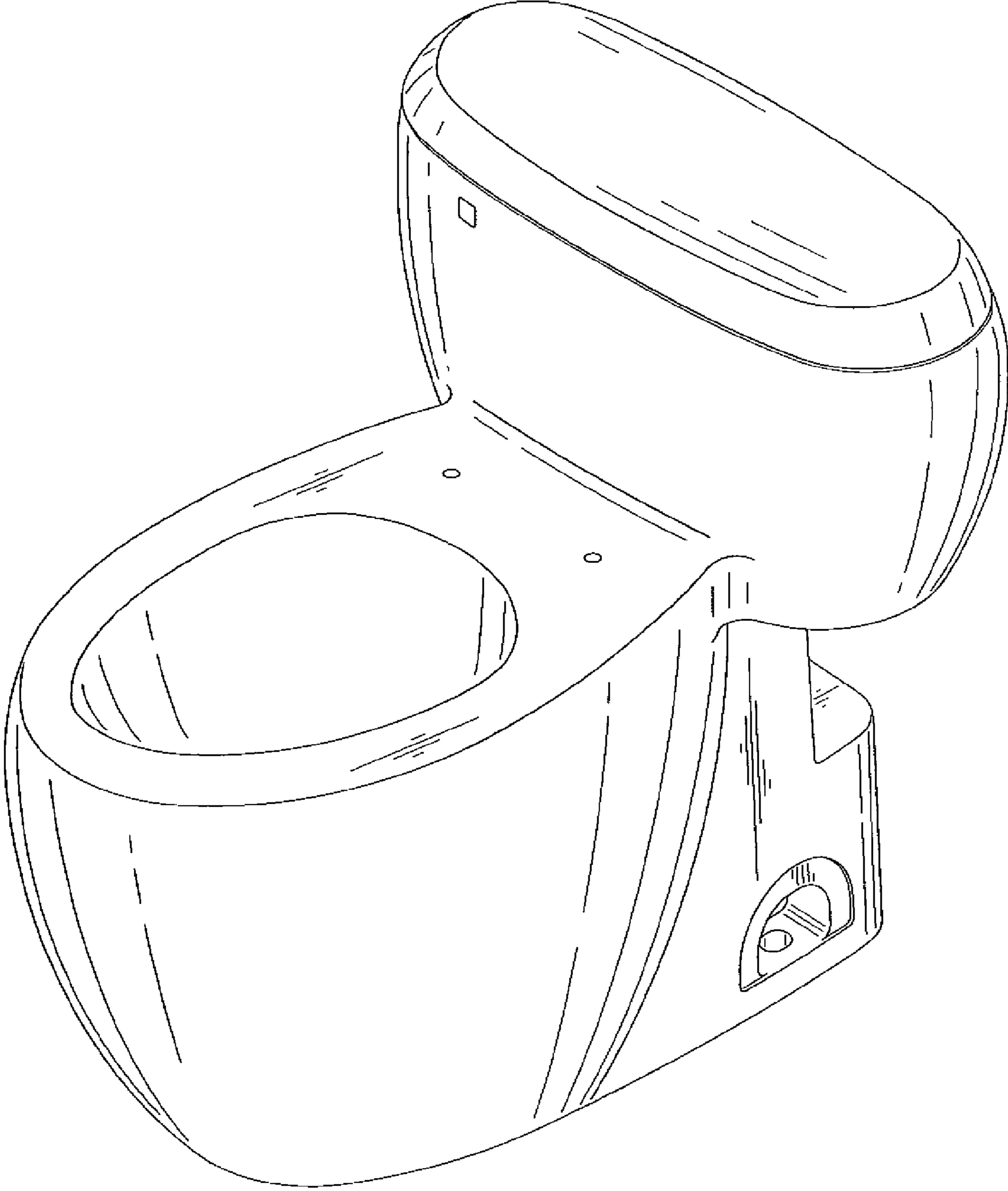


FIG. 1

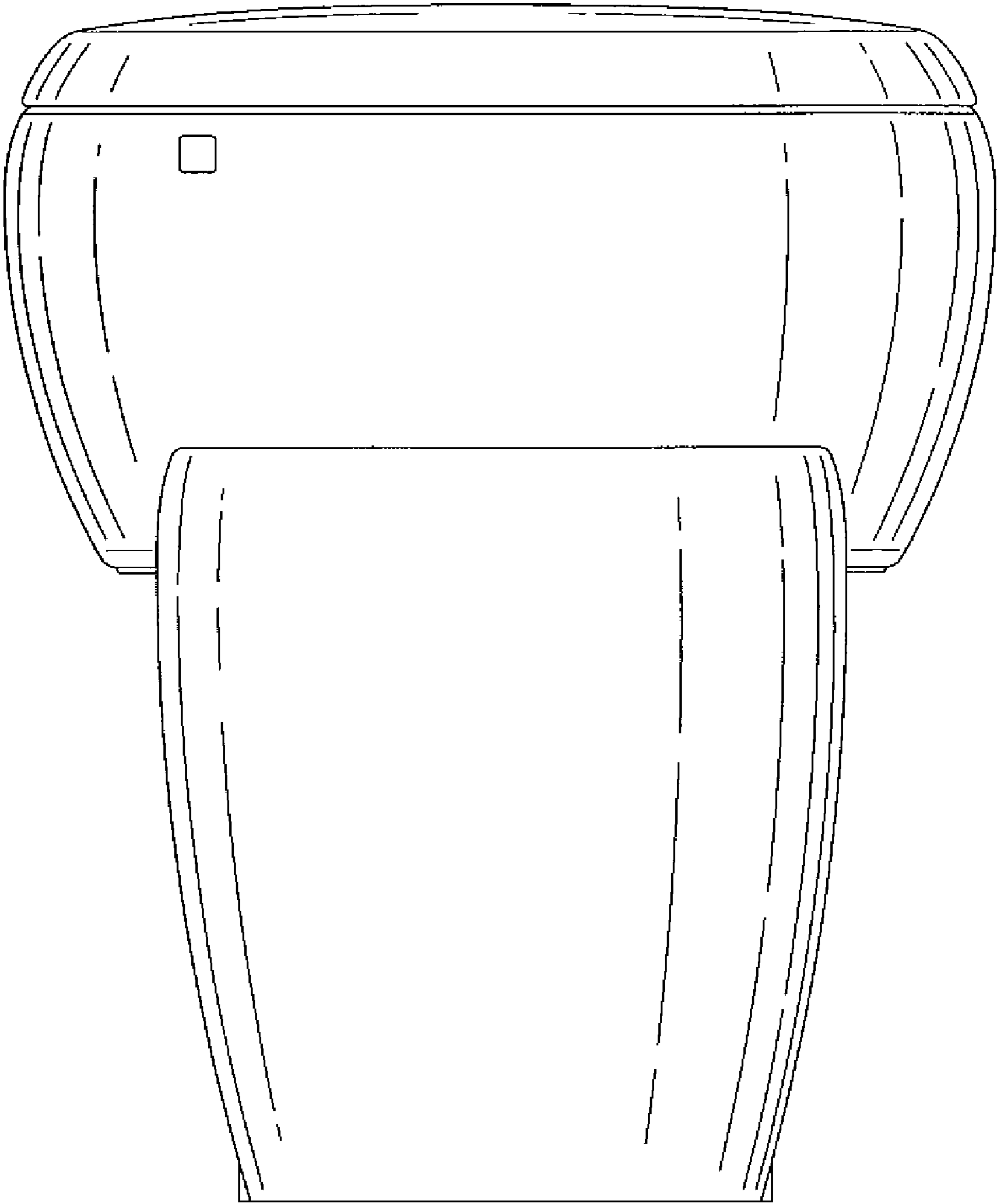


FIG. 2

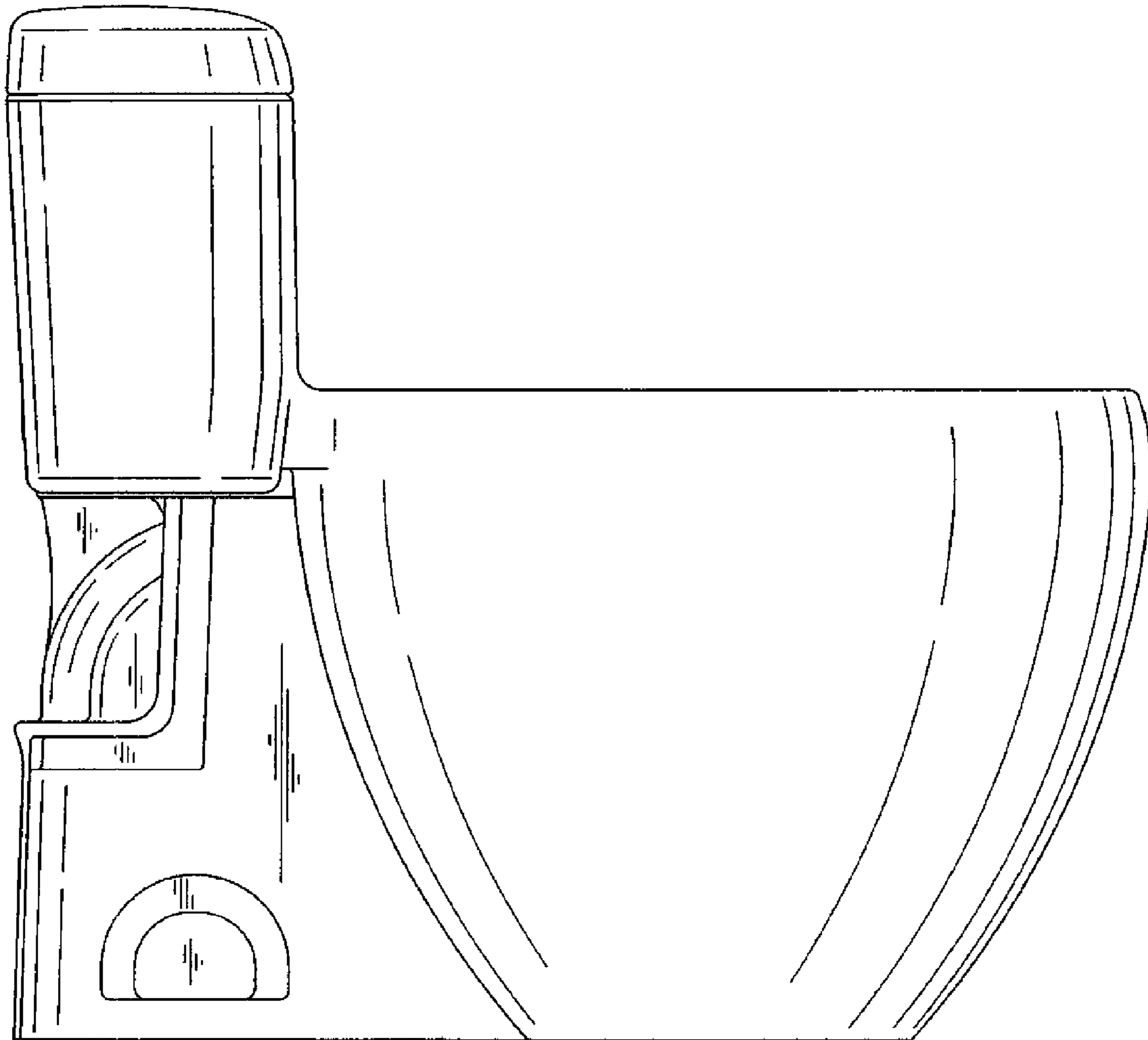


FIG. 3

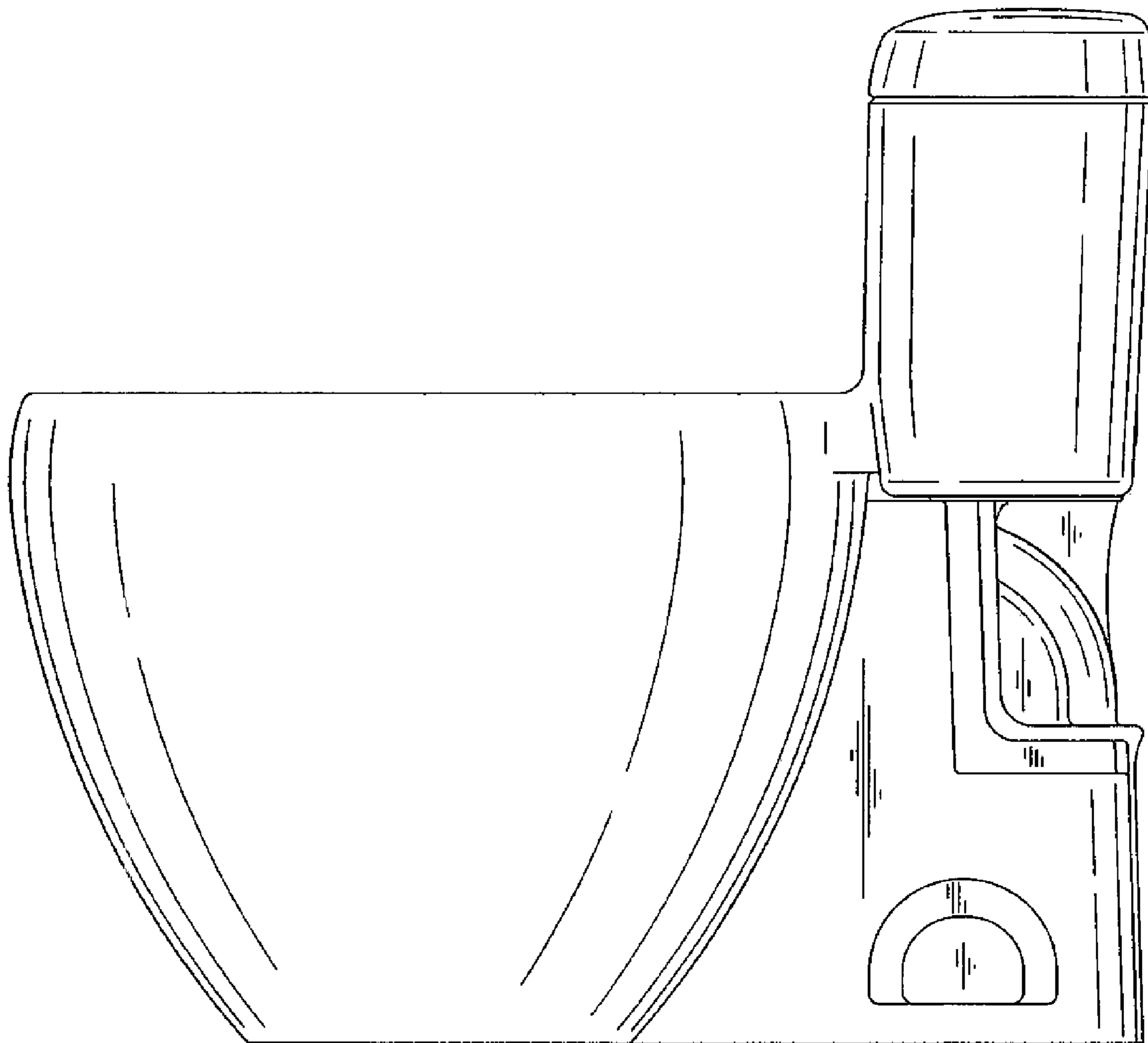


FIG. 4

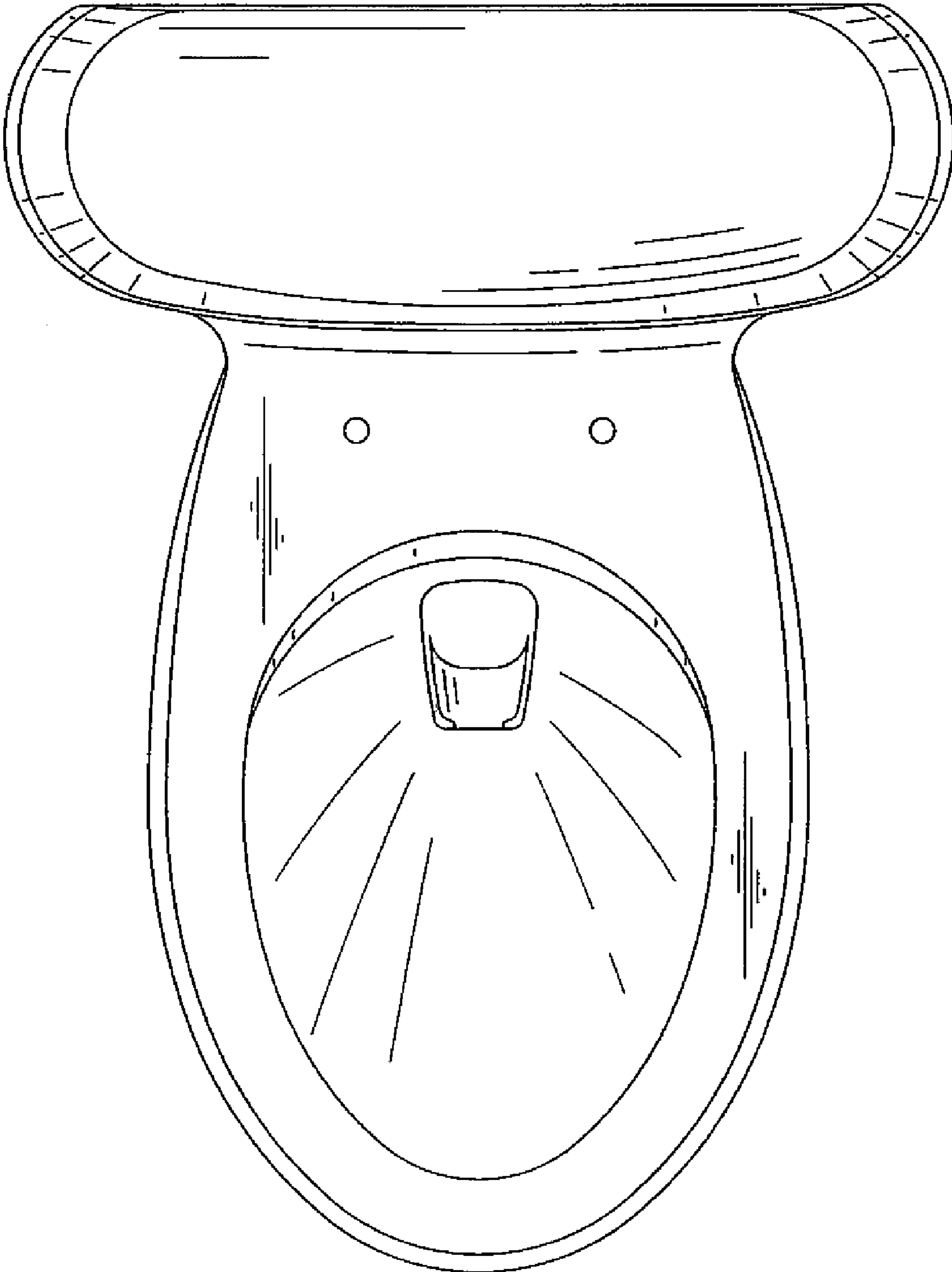


FIG. 5