



US00D586891S

(12) **United States Design Patent**  
**Cummings et al.**

(10) **Patent No.:** **US D586,891 S**

(45) **Date of Patent:** **\*\* Feb. 17, 2009**

(54) **TOILET PAN**

D509,575 S \* 9/2005 Kergoet ..... D23/295

(75) Inventors: **Stephen John Cummings**, Newport (AU); **Vincent Kai Hong Ho**, Croydon (AU)

\* cited by examiner

(73) Assignee: **Caroma Industries Limited**, Brisbane, Queensland (AU)

*Primary Examiner*—Robert A Delehanty

(74) *Attorney, Agent, or Firm*—Merchant & Gould P.C.

(\*\*) Term: **14 Years**

(57) **CLAIM**

(21) Appl. No.: **29/271,667**

The ornamental design for a toilet pan, as shown and described.

(22) Filed: **Jan. 24, 2007**

(30) **Foreign Application Priority Data**

**DESCRIPTION**

Aug. 18, 2006 (AU) ..... 13685/2006

(51) **LOC (9) Cl.** ..... **23-02**

(52) **U.S. Cl.** ..... **D23/295**

(58) **Field of Classification Search** ..... D23/295,  
D23/301, 303, 309, 299; 4/664, 300, 420,  
4/DIG. 15

See application file for complete search history.

FIG. 1 is a top view showing our new design;

FIG. 2 is a front view thereof;

FIG. 3 is a right view thereof;

FIG. 4 is a back view thereof;

FIG. 5 is a left view thereof;

FIG. 6 is a bottom view thereof, and;

FIG. 7 is an isometric view thereof.

The broken lines shown in FIGS. 4 and 6 illustrate mechanical features and form no part of the claimed design.

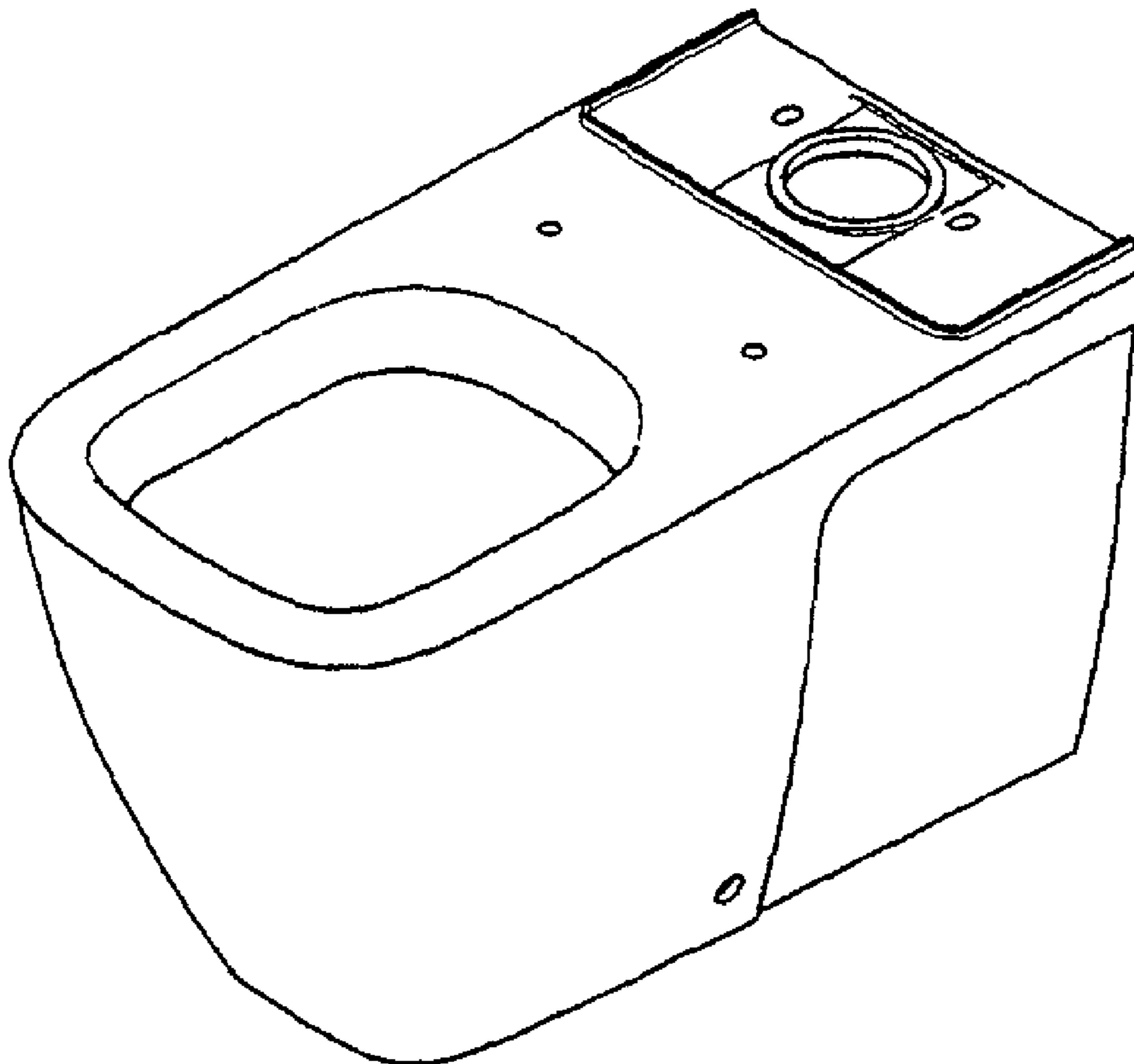
(56) **References Cited**

**U.S. PATENT DOCUMENTS**

D494,667 S \* 8/2004 Kergoet ..... D23/295

D508,116 S \* 8/2005 Tani et al. .... D23/301

**1 Claim, 1 Drawing Sheet**



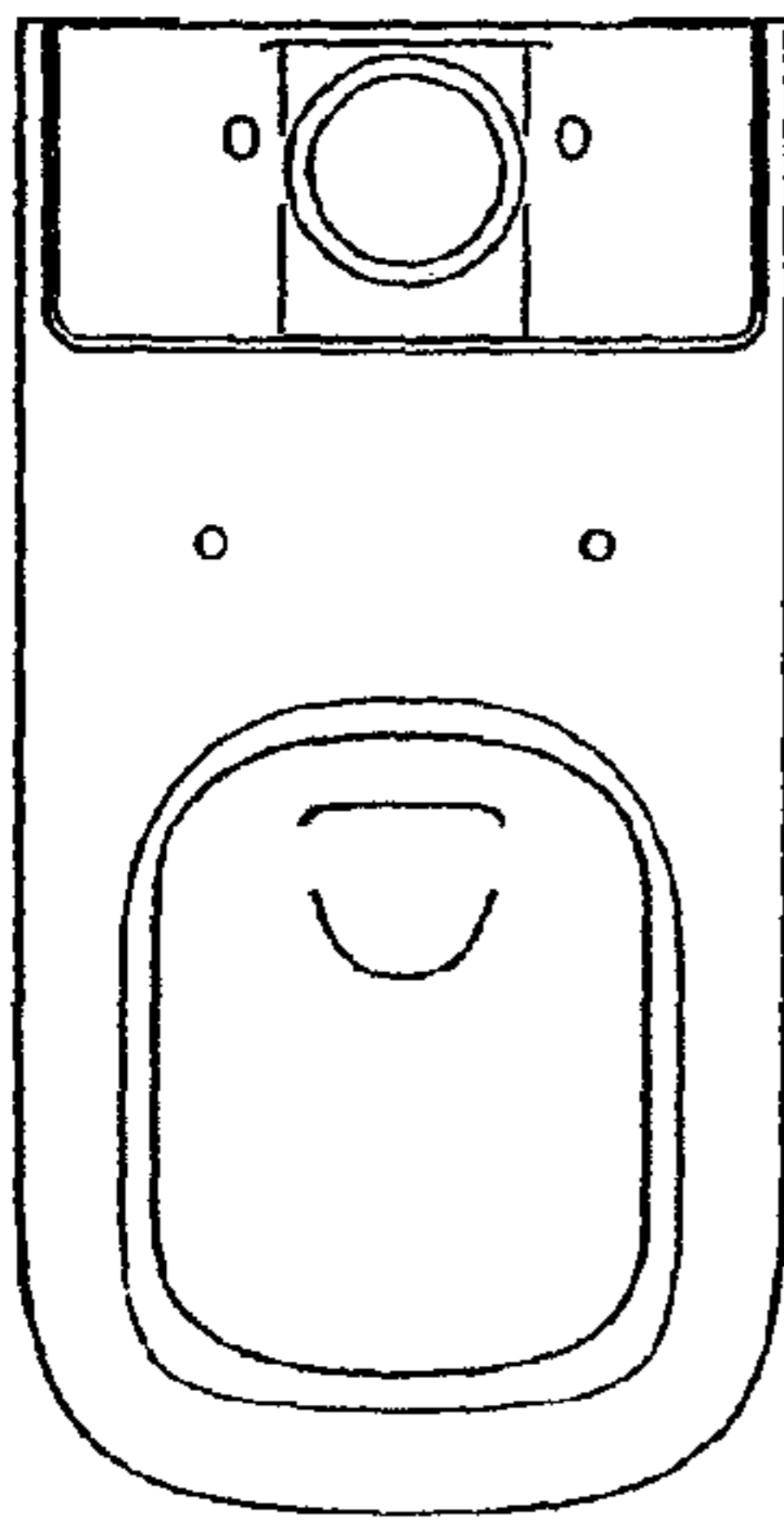


FIG. 1

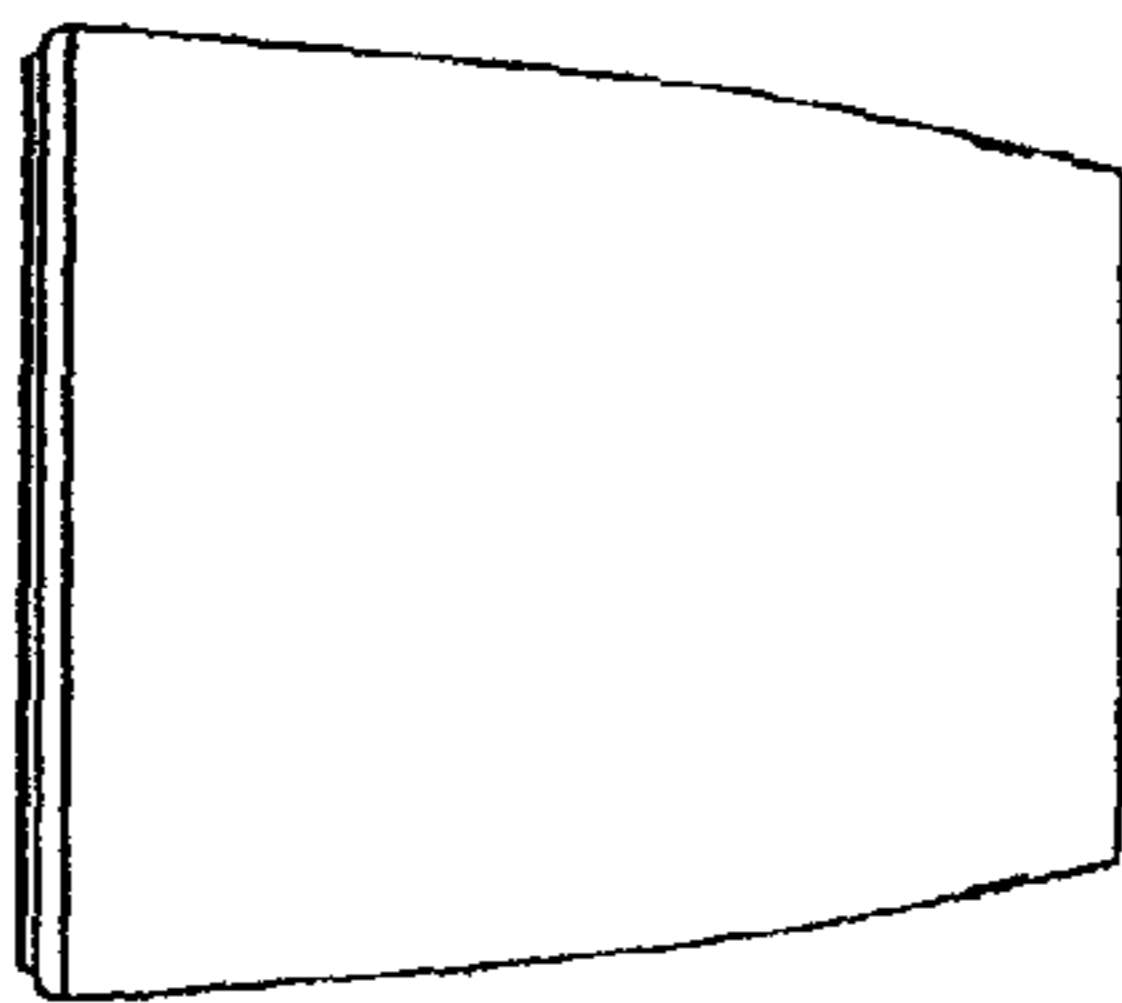


FIG. 2

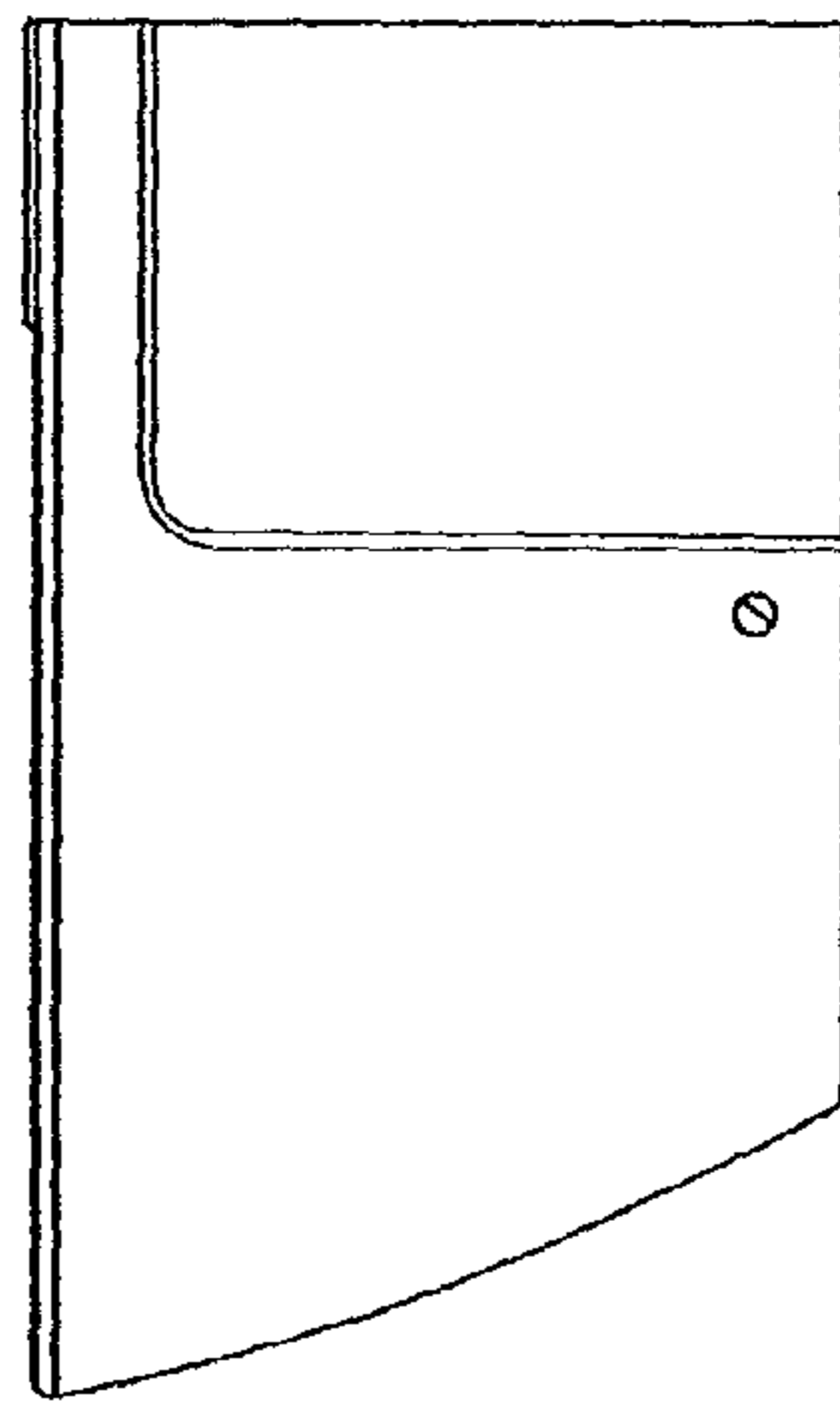


FIG. 3

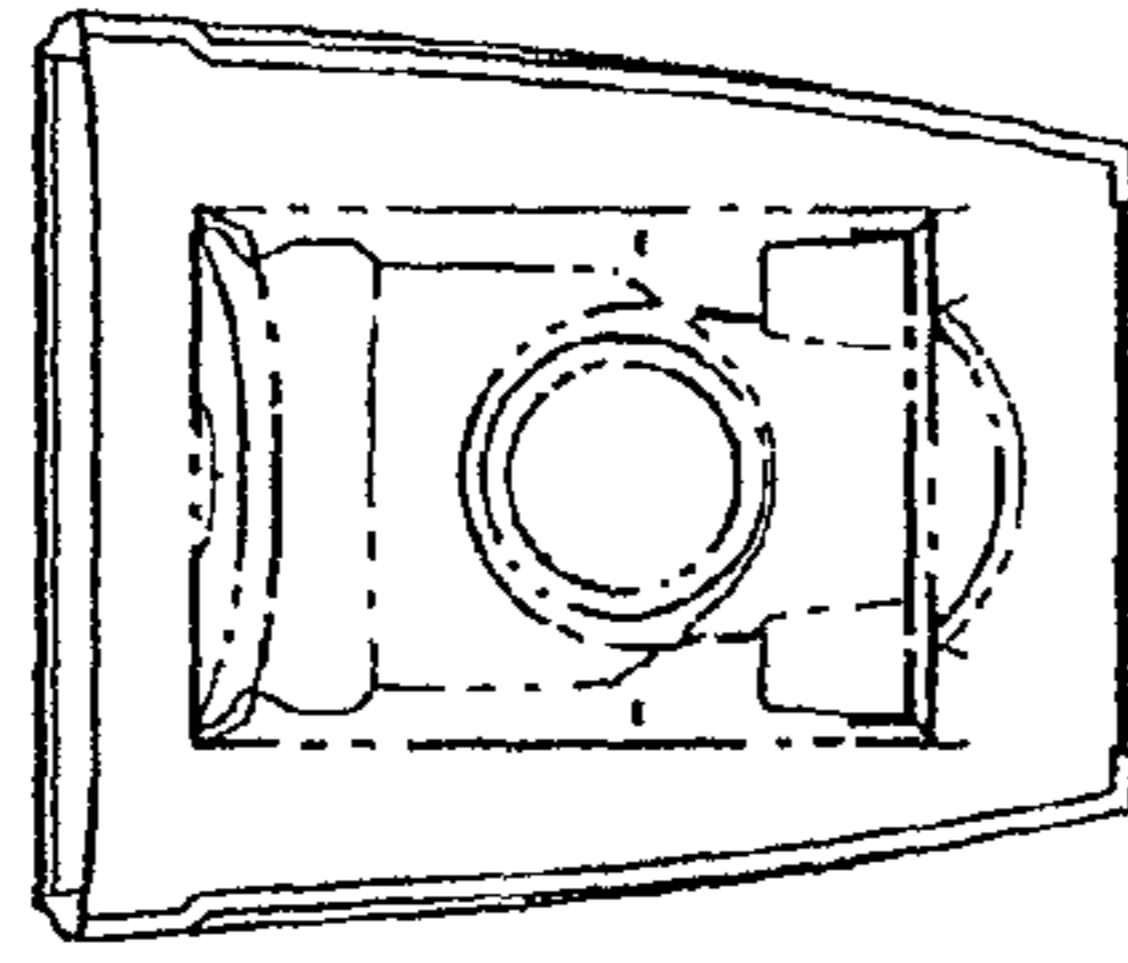


FIG. 4

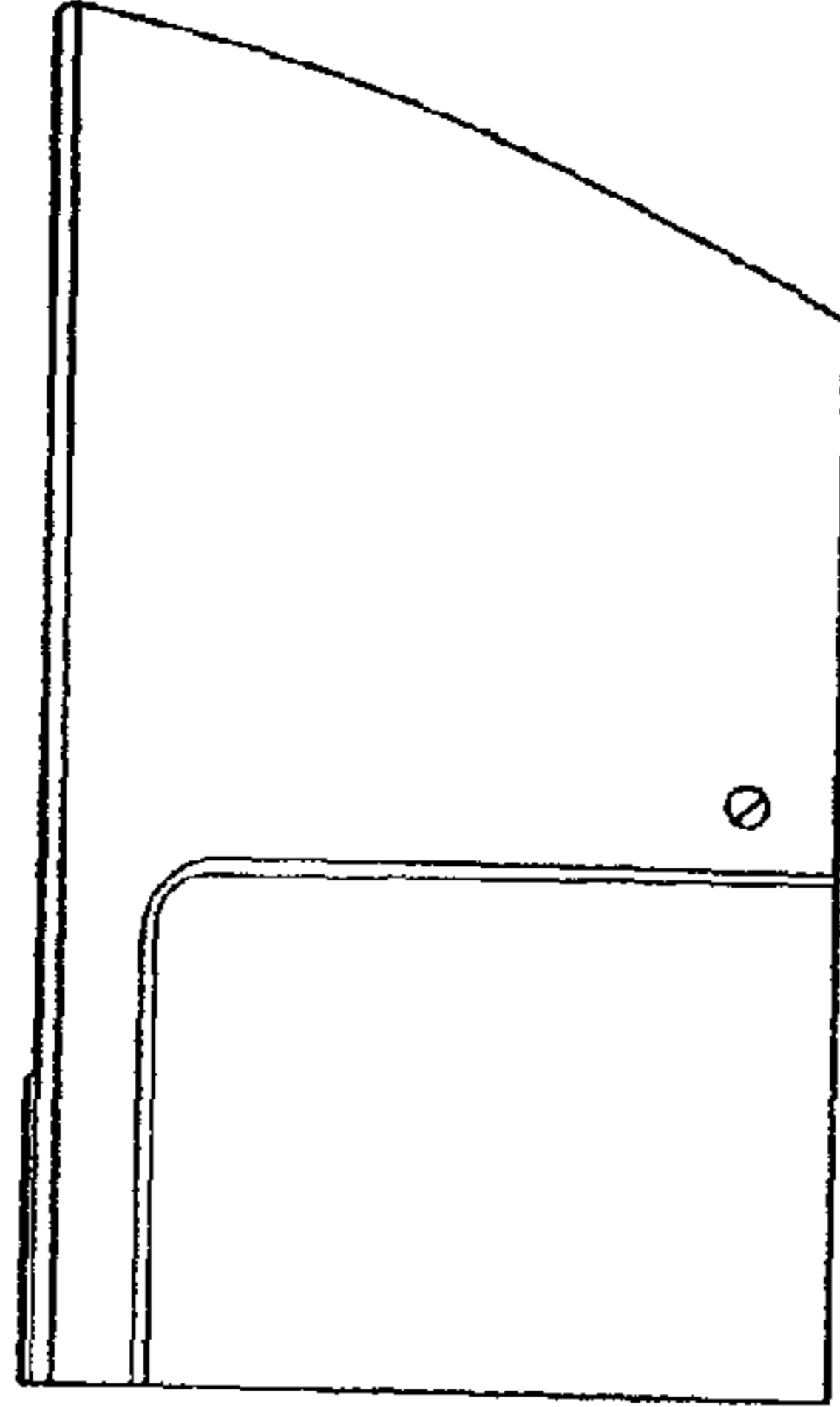


FIG. 5

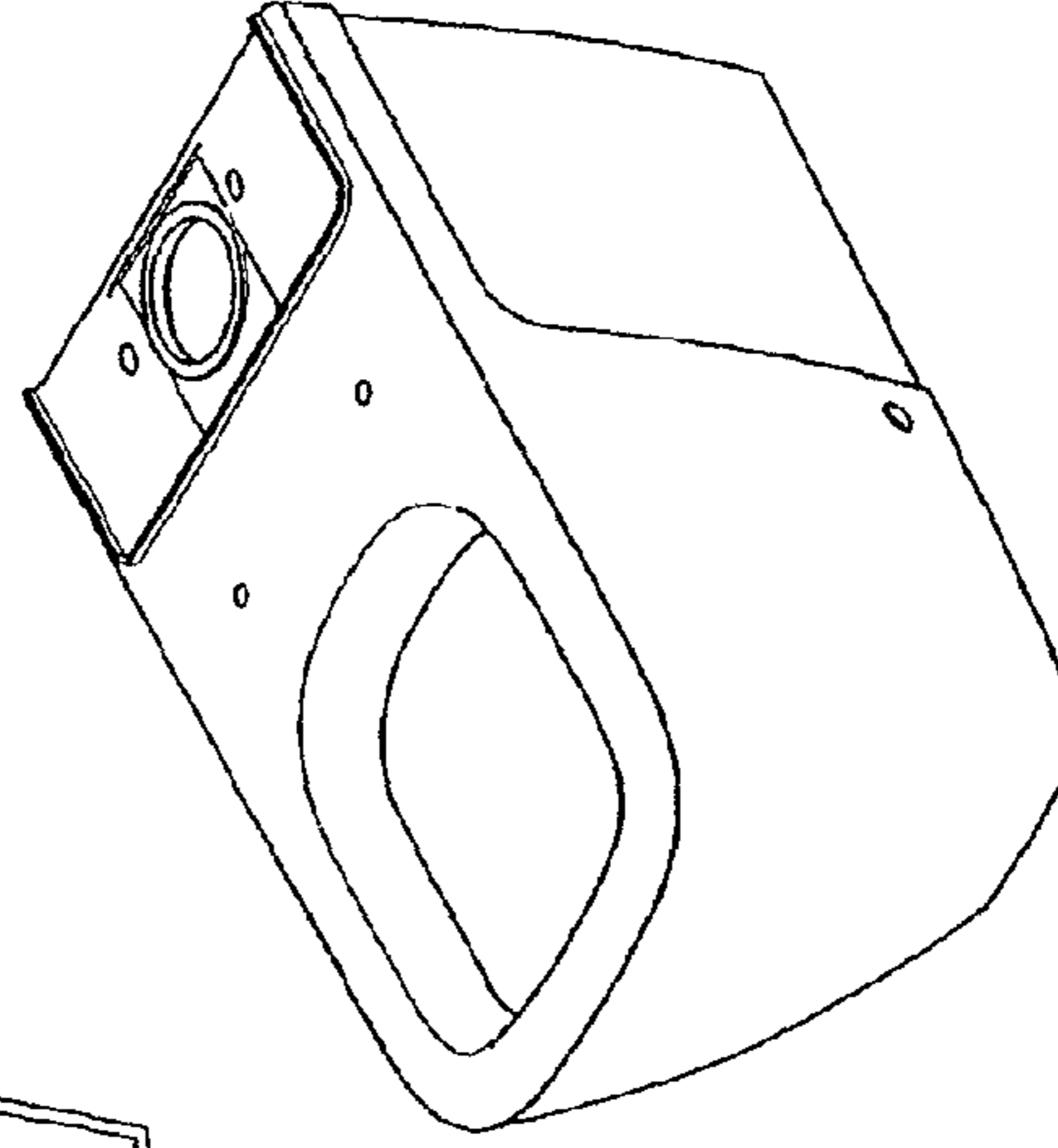


FIG. 7

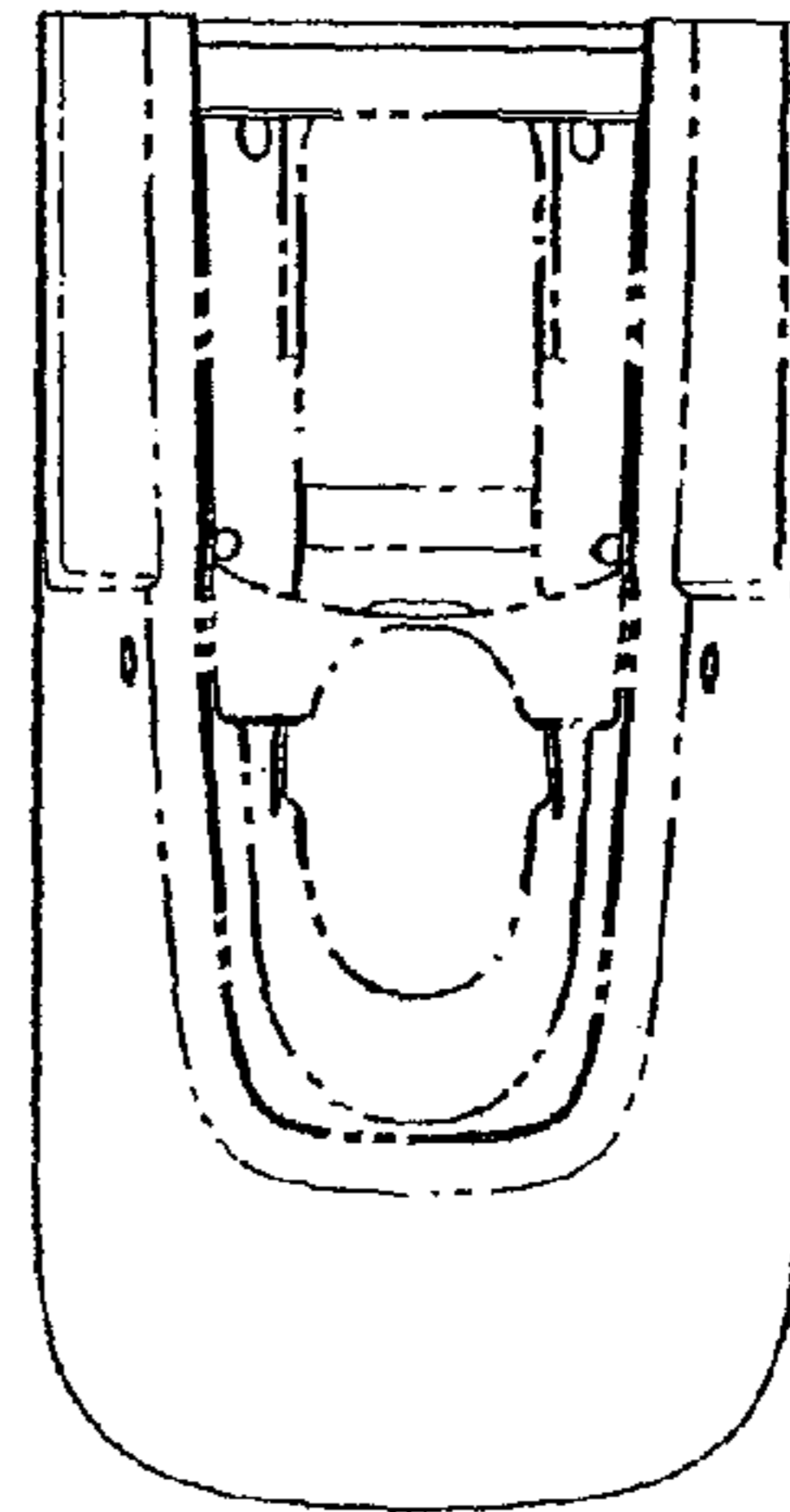


FIG. 6