



US00D586888S

(12) **United States Design Patent**
Schoenherr et al.

(10) **Patent No.:** **US D586,888 S**

(45) **Date of Patent:** **** Feb. 17, 2009**

(54) **FAUCET HANDLE**

(75) Inventors: **Tom Schoenherr**, Stuttgart (DE);
Fabian Kollmann, Stuttgart (DE)

(73) Assignee: **Hansgrohe AG**, Schiltach (DE)

(**) Term: **14 Years**

(21) Appl. No.: **29/322,598**

(22) Filed: **Aug. 7, 2008**

(30) **Foreign Application Priority Data**

Feb. 8, 2008 (EM) 000875588-0006

(51) **LOC (9) Cl.** **23-01**

(52) **U.S. Cl.** **D23/252**

(58) **Field of Classification Search** D23/200,
D23/238-257; D6/550; D8/300, 307-308;
4/675-678; 137/801; 16/110.1, 441

See application file for complete search history.

(56) **References Cited**

U.S. PATENT DOCUMENTS

D371,430 S * 7/1996 Moon D23/252
D434,117 S * 11/2000 Spangler D23/252
D448,067 S * 9/2001 Pitsch D23/252
D458,345 S * 6/2002 Gottwald D23/252
D476,398 S * 6/2003 Ouyoung D23/252
D496,436 S * 9/2004 Ouyoung D23/252

D512,768 S * 12/2005 Ouyoung D23/252
D513,527 S * 1/2006 Ouyoung D23/252
D517,660 S * 3/2006 Kemp D23/252
D523,531 S * 6/2006 Fritz D23/252
D527,803 S * 9/2006 Chu et al. D23/252
D578,616 S * 10/2008 Fritz et al. D23/250

* cited by examiner

Primary Examiner—T. Chase Nelson

Assistant Examiner—Mark Cavanna

(74) *Attorney, Agent, or Firm*—Leon E. Redman

(57) **CLAIM**

The ornamental design for a faucet handle, as shown and described.

DESCRIPTION

FIG. 1 is a front perspective view of a faucet handle showing our design;

FIG. 2 is a front elevational view thereof;

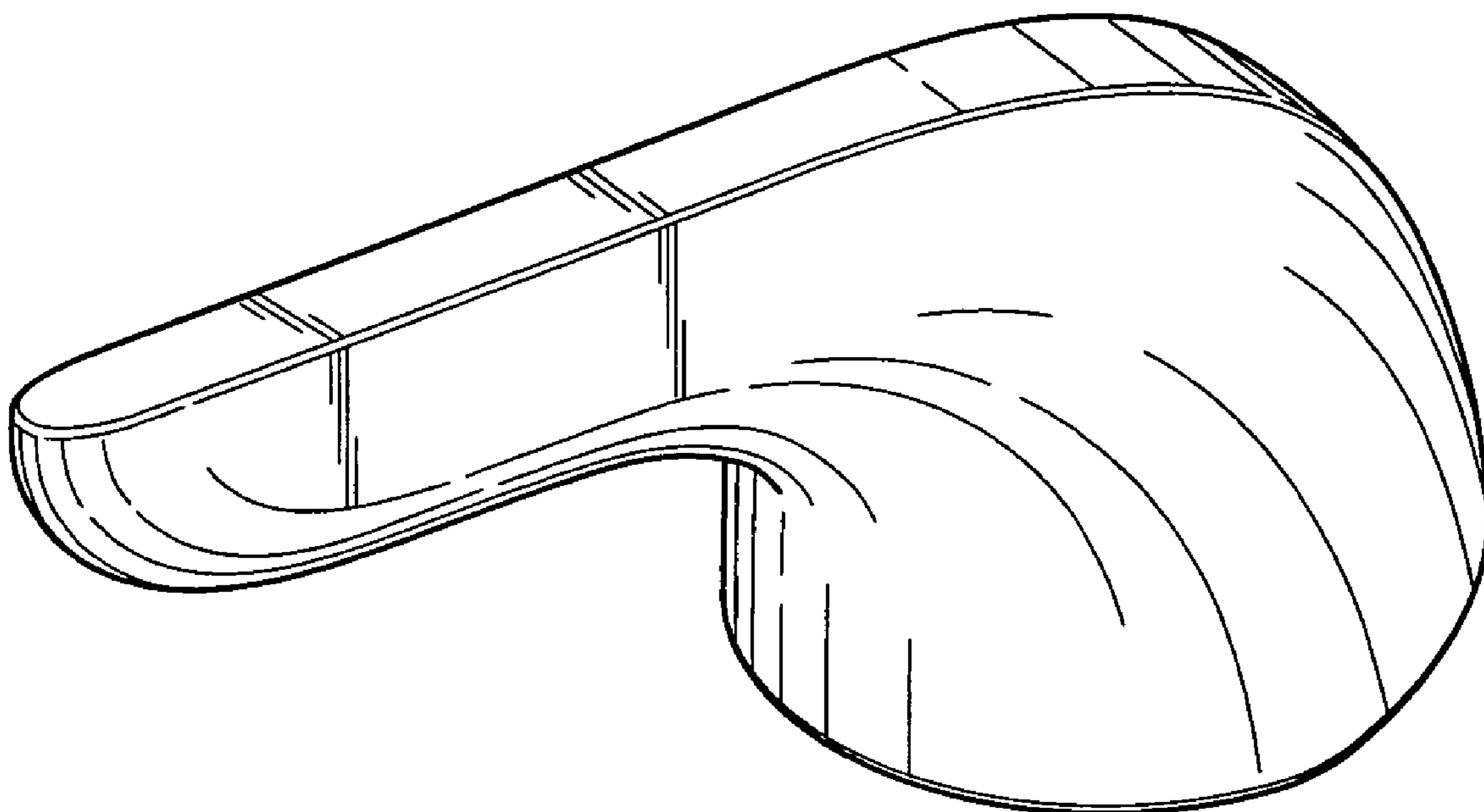
FIG. 3 is a rear elevational view thereof;

FIG. 4 is a left side elevational view thereof; the right side elevational view being a mirror image thereof; and,

FIG. 5 is a top plan view thereof.

The broken lines are included for the purpose of illustrating portions of the faucet handle that form no part of the claimed design.

1 Claim, 5 Drawing Sheets



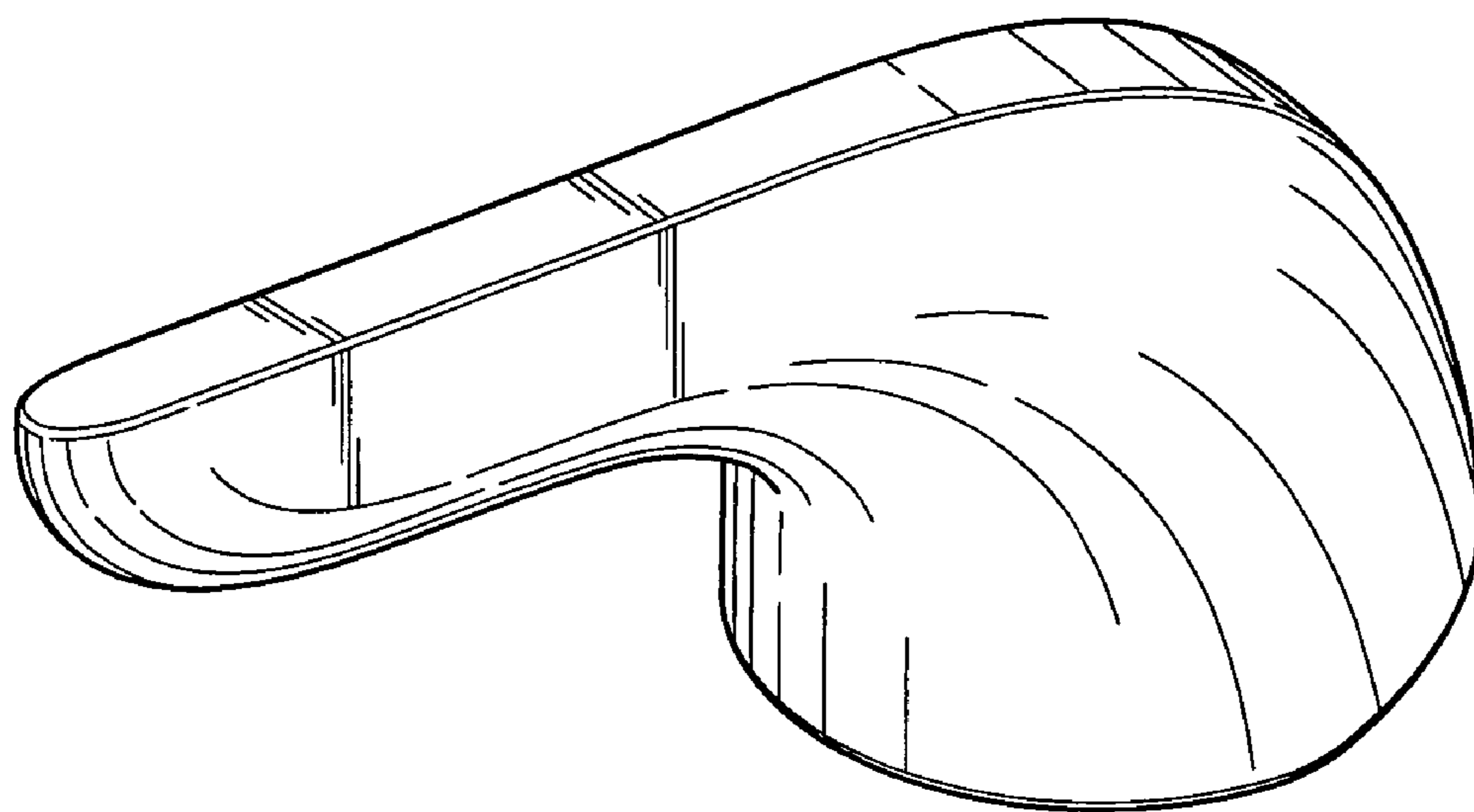


FIG. 1

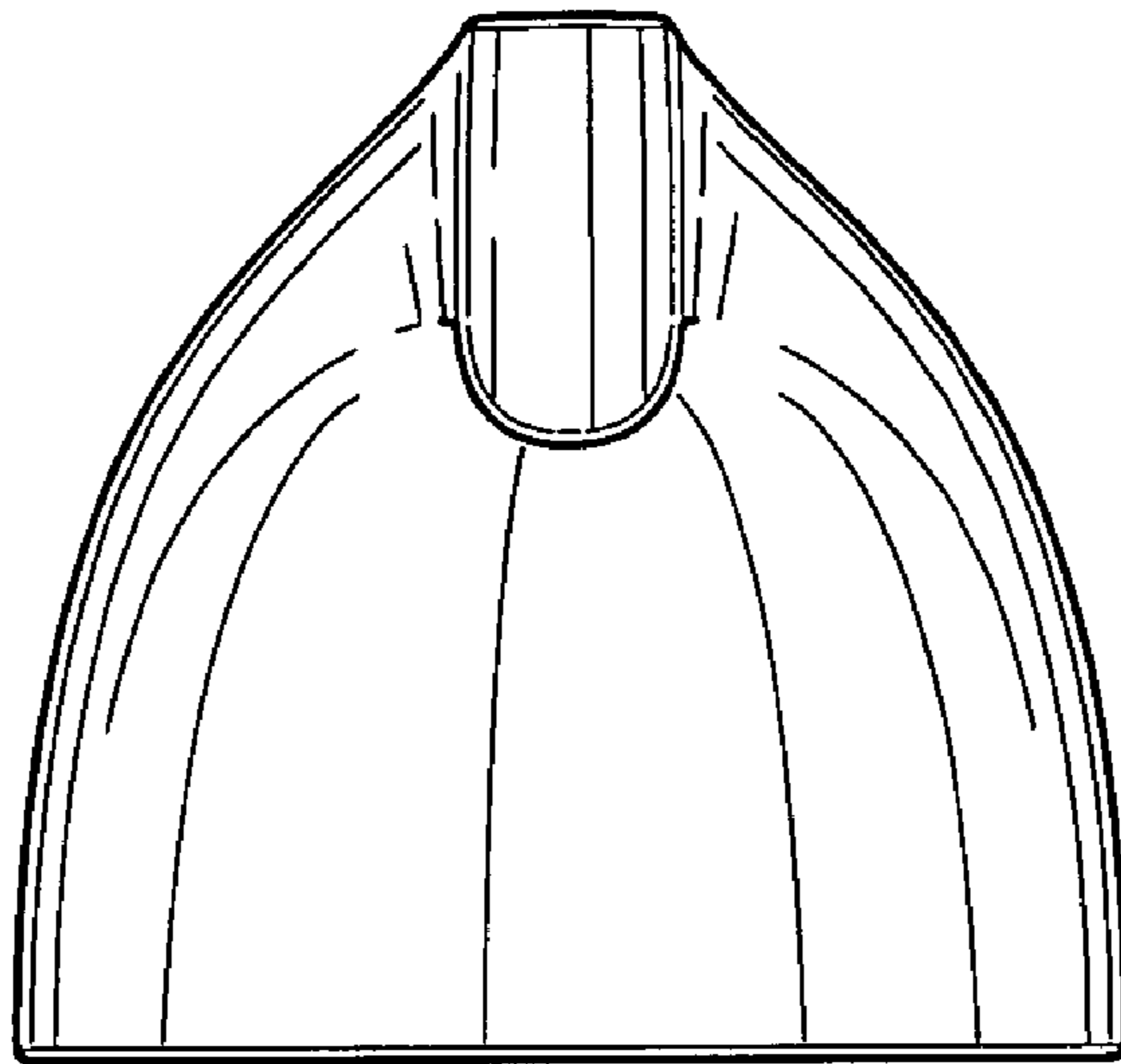


FIG. 2

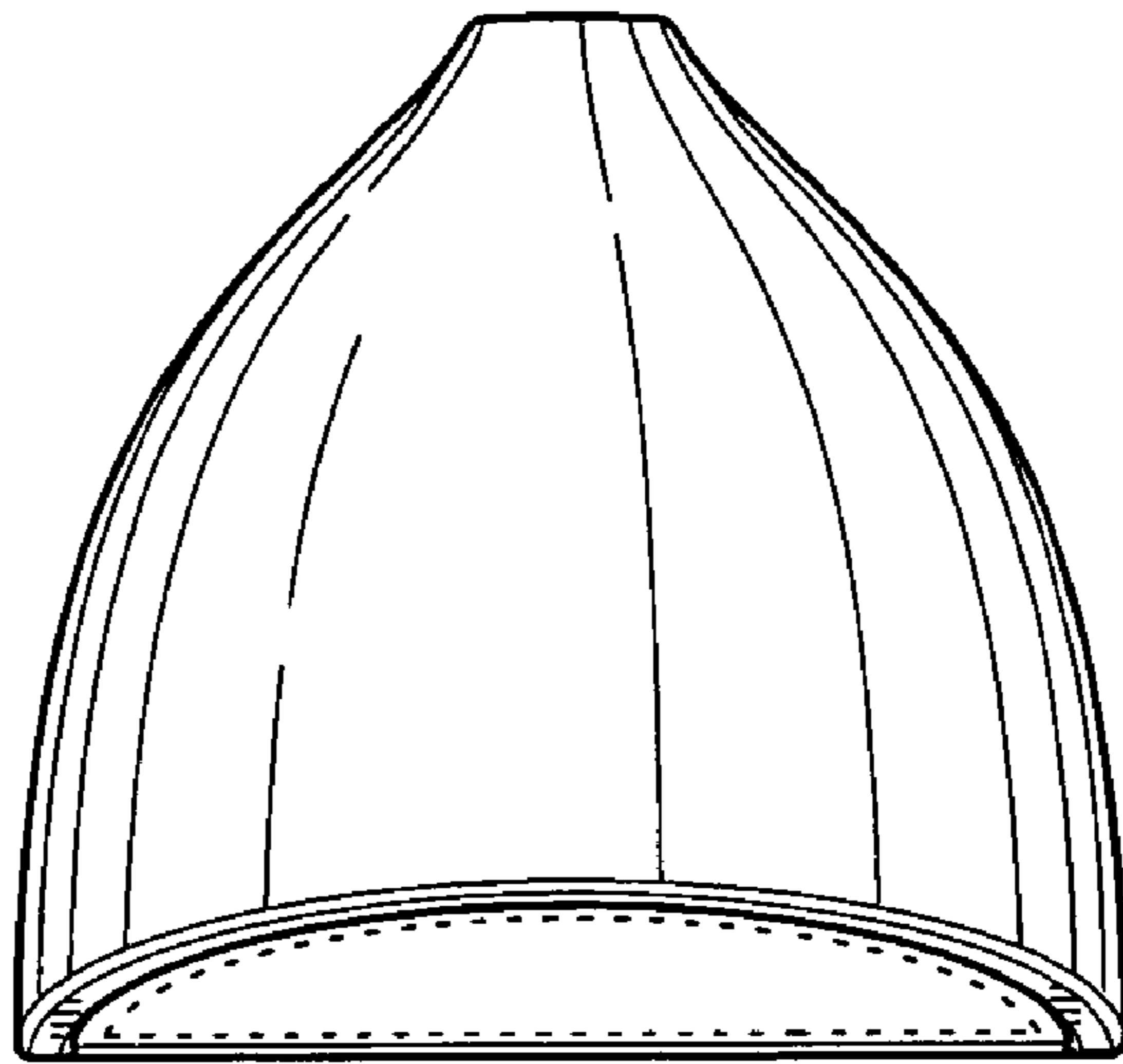


FIG. 3

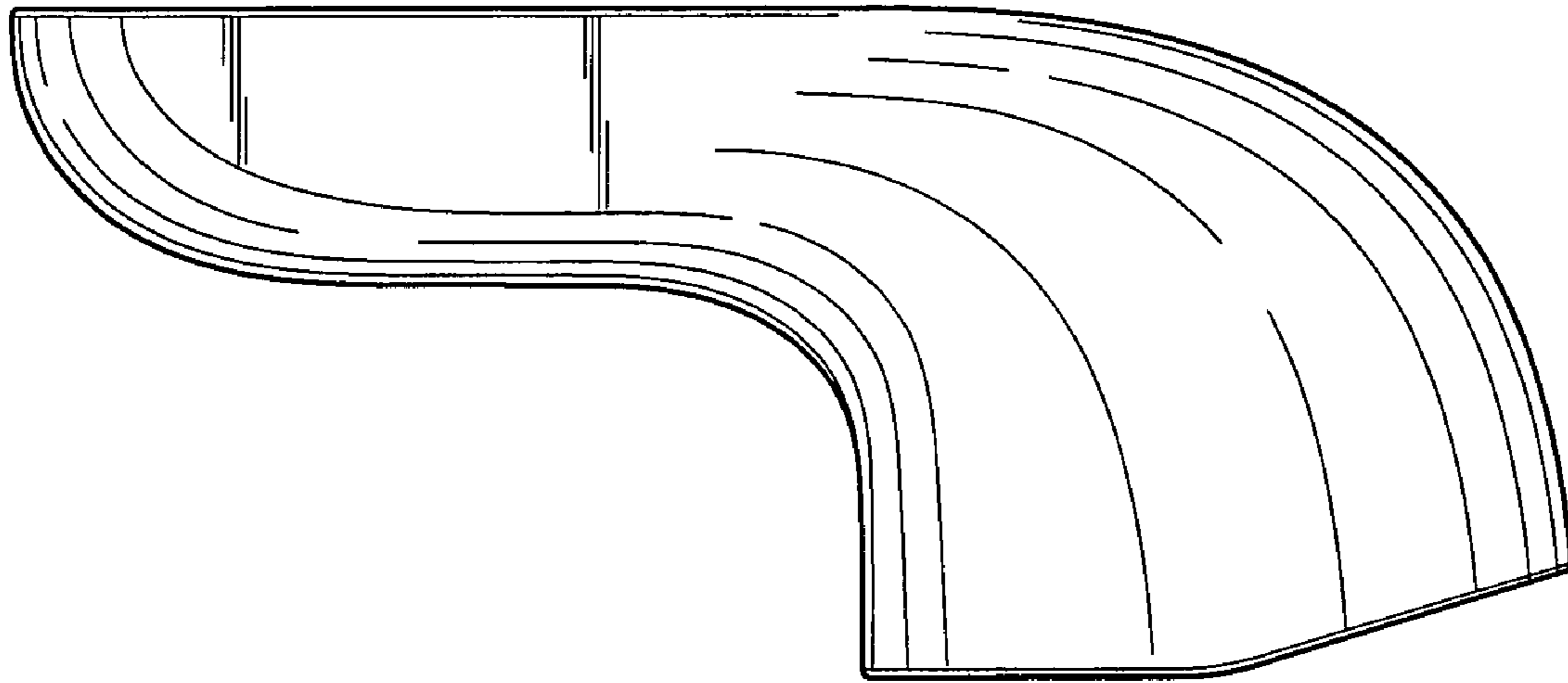


FIG. 4

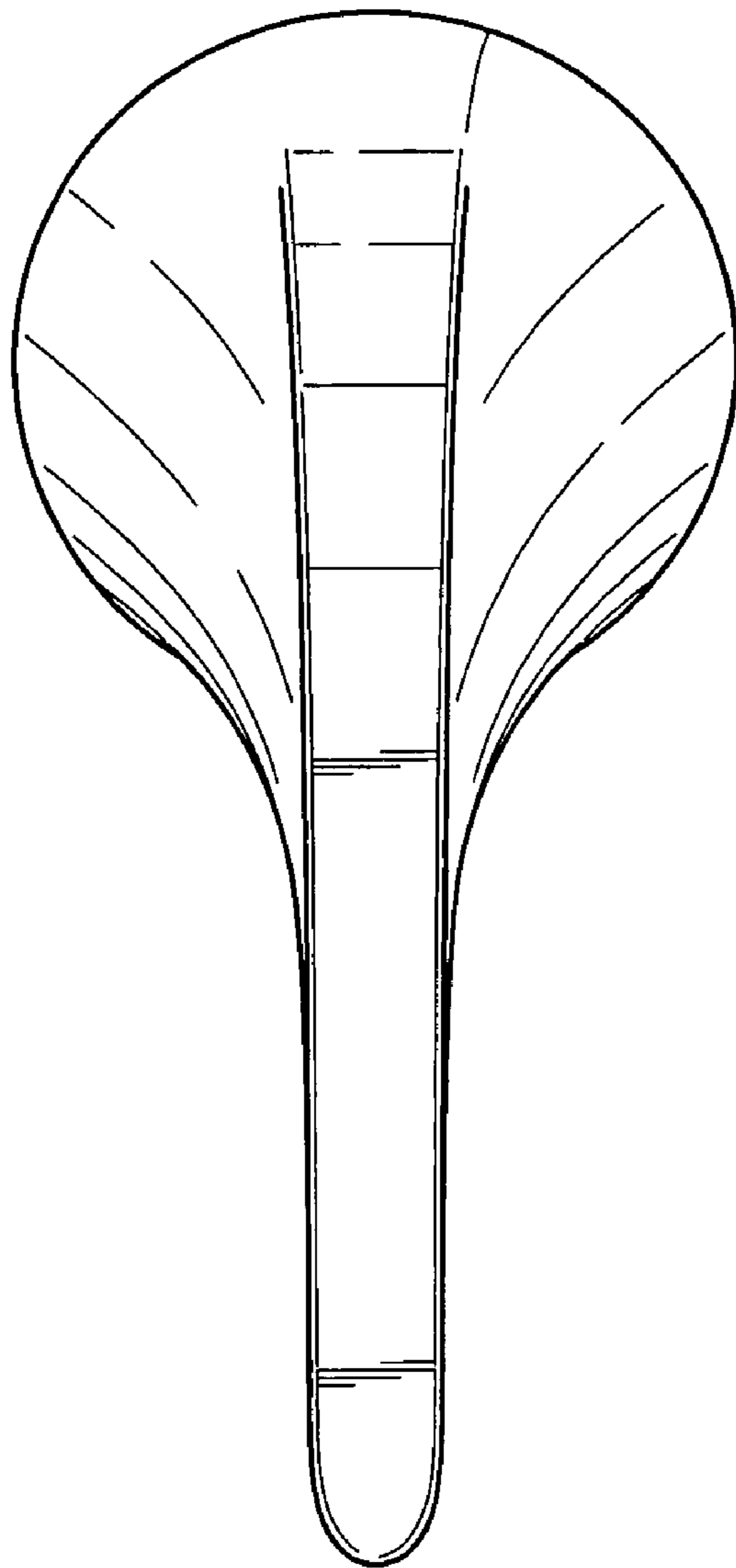


FIG. 5