



US00D586883S

(12) **United States Design Patent**
Daunter et al.

(10) **Patent No.:** **US D586,883 S**

(45) **Date of Patent:** **** Feb. 17, 2009**

(54) **FAUCET ASSEMBLY**

D581,488 S * 11/2008 Dolan D23/250

(75) Inventors: **Dominic Daunter**, Howell, MI (US);
Daniel Genord, South Lyon, MI (US)

* cited by examiner

Primary Examiner—Robert A Delehanty

(74) *Attorney, Agent, or Firm*—Leon E. Redman

(73) Assignee: **Masco Corporation of Indiana**,
Indianapolis, IN (US)

(57) **CLAIM**

(**) Term: **14 Years**

The ornamental design for a faucet assembly, as shown and described.

(21) Appl. No.: **29/306,401**

(22) Filed: **Apr. 9, 2008**

DESCRIPTION

(51) **LOC (9) Cl.** **23-01**

FIG. 1 is a front perspective view of a faucet assembly showing our new design;

(52) **U.S. Cl.** **D23/238**

FIG. 2 is a front elevational view thereof;

(58) **Field of Classification Search** D23/238–243,
D23/255–257; 4/675–678; 137/801; D8/300,
D8/307–308, 321; 16/110.1

FIG. 3 is a rear elevational view thereof;

FIG. 4 is a right side elevational view thereof;

FIG. 5 is a left side elevational view thereof; and,

See application file for complete search history.

FIG. 6 is a top plan view thereof.

The broken lines in the Figures are for illustrative purposes only and form no part of the claimed design.

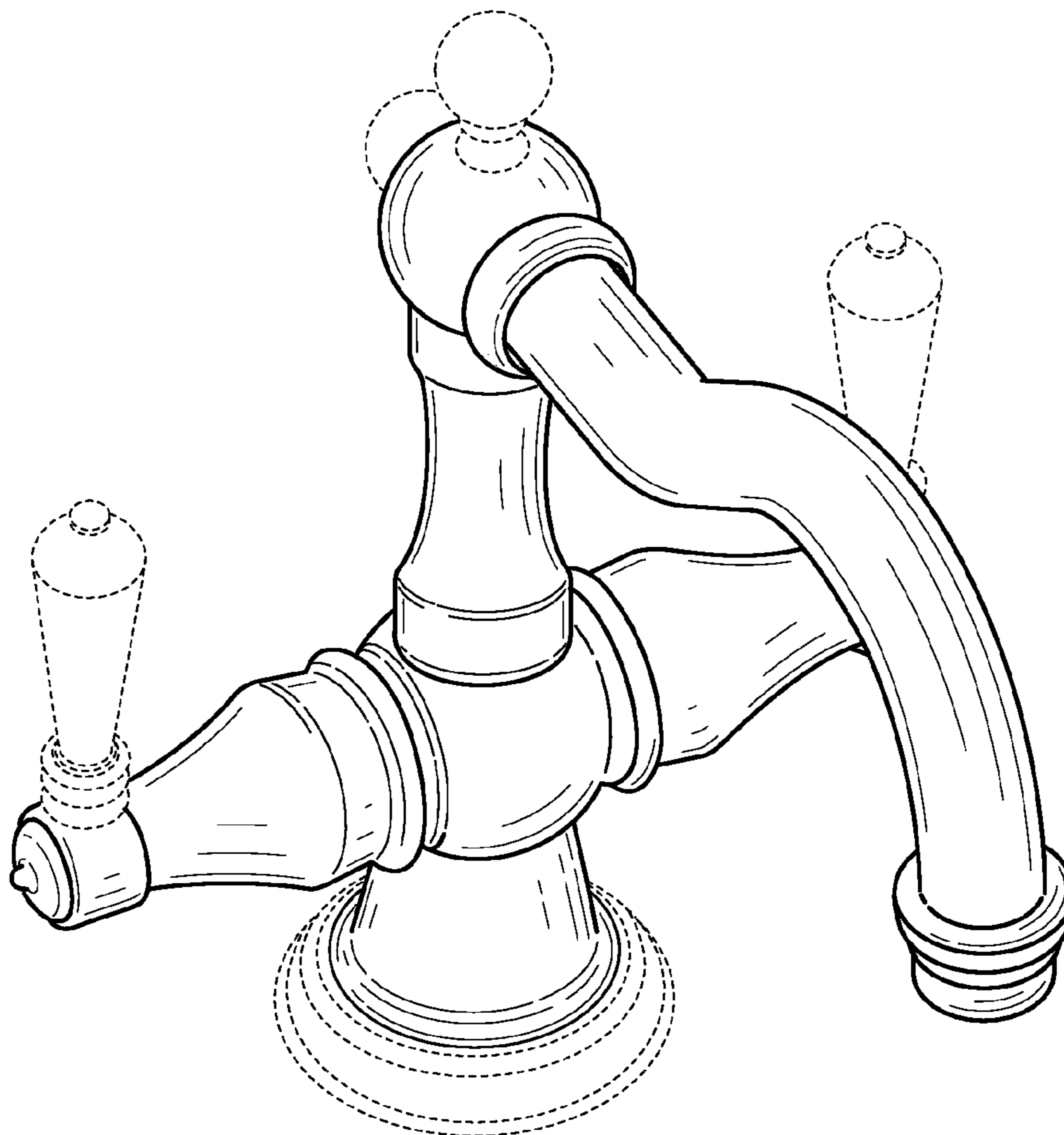
(56) **References Cited**

U.S. PATENT DOCUMENTS

D516,177 S * 2/2006 Ouyoung D23/241

D569,485 S * 5/2008 Daunter et al. D23/241

1 Claim, 6 Drawing Sheets



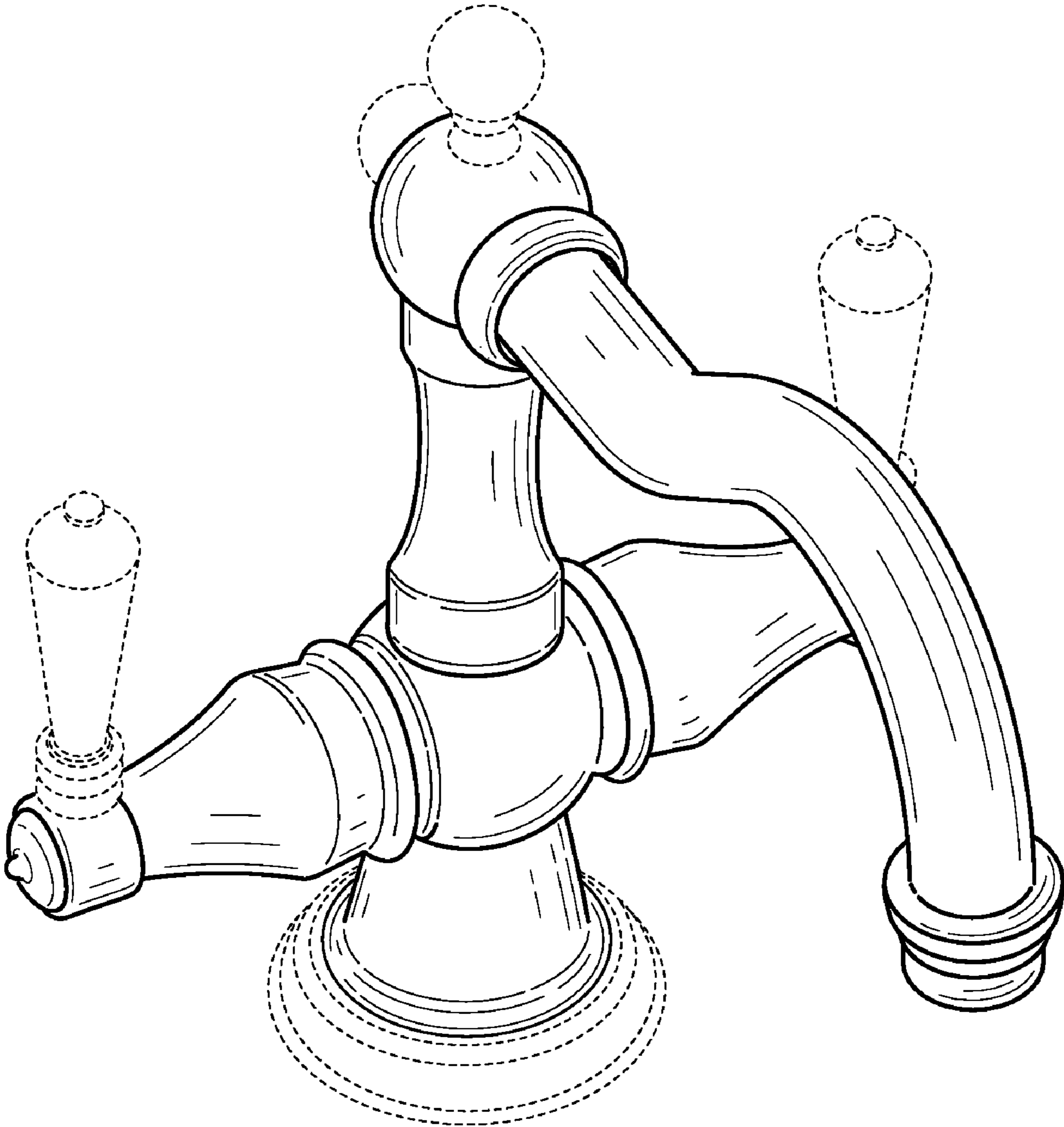


FIG. 1

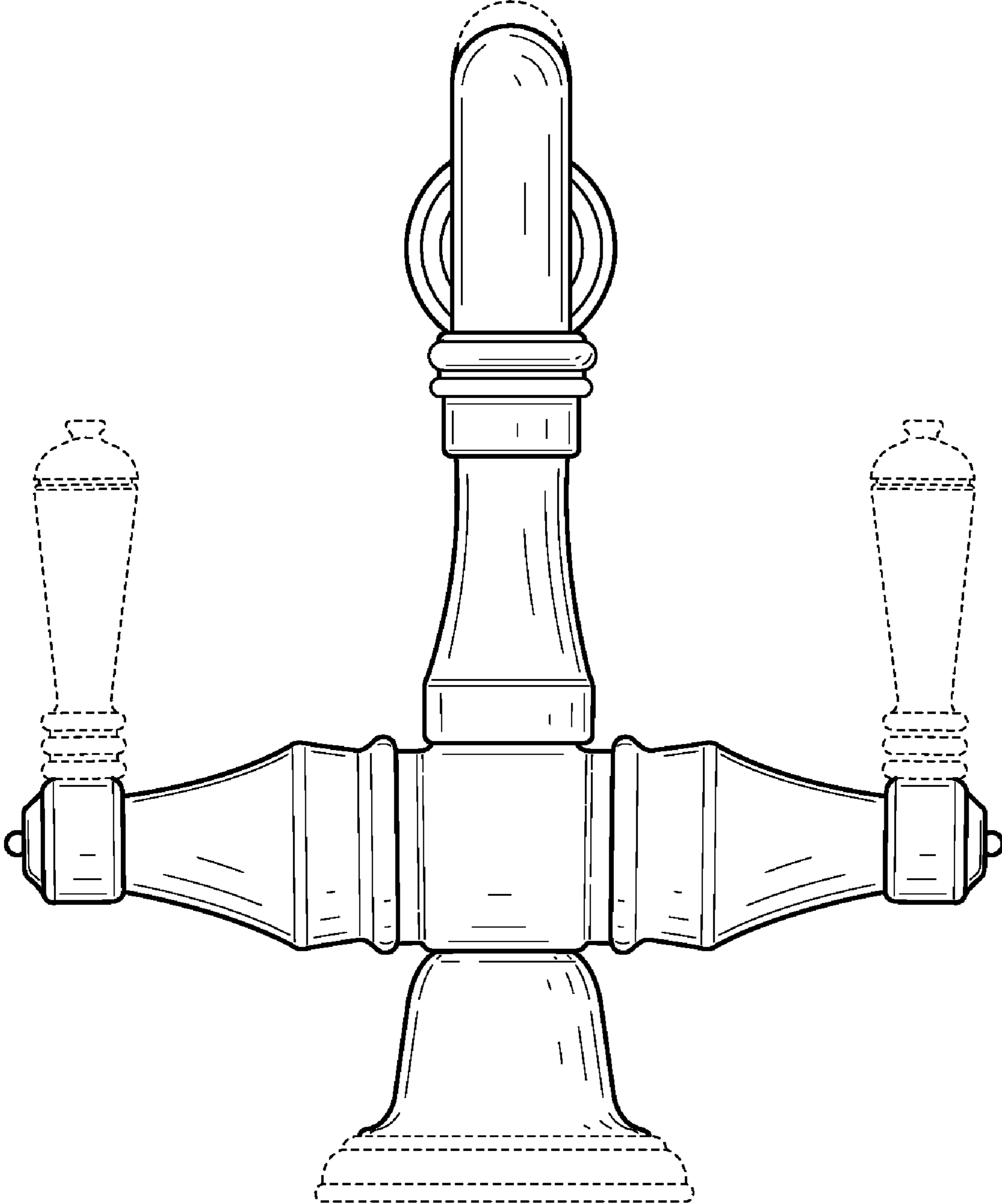


FIG. 2

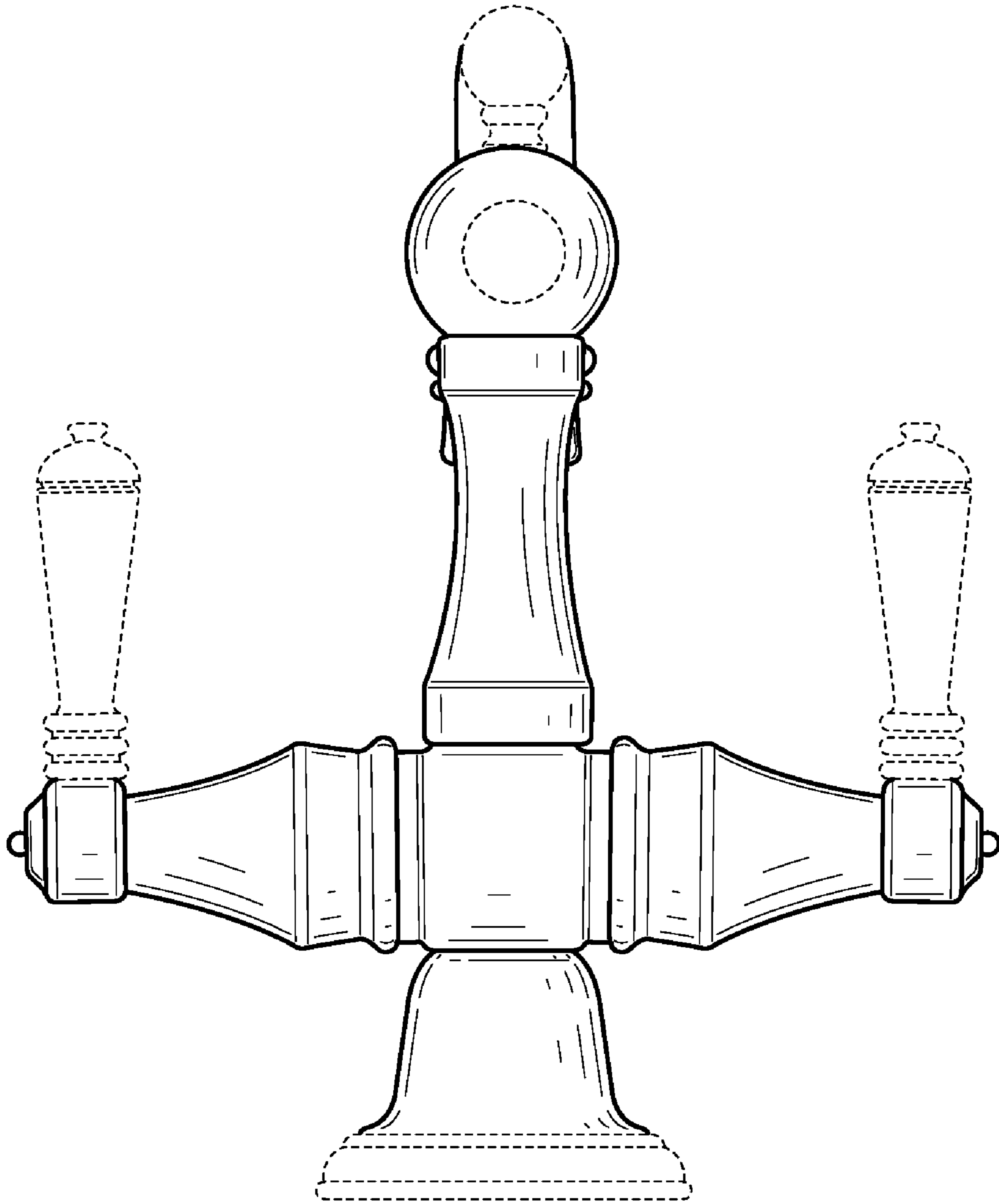


FIG. 3

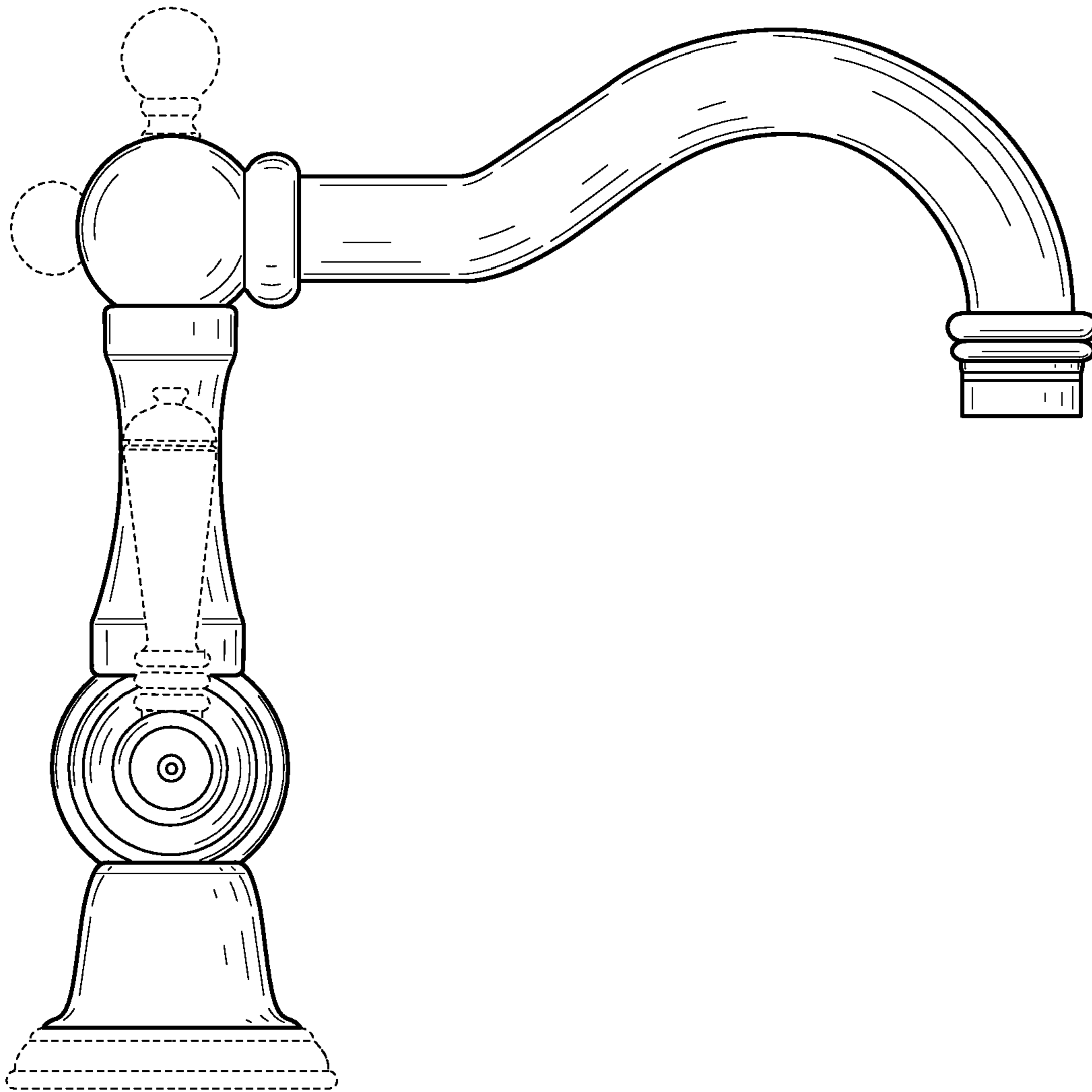


FIG. 4

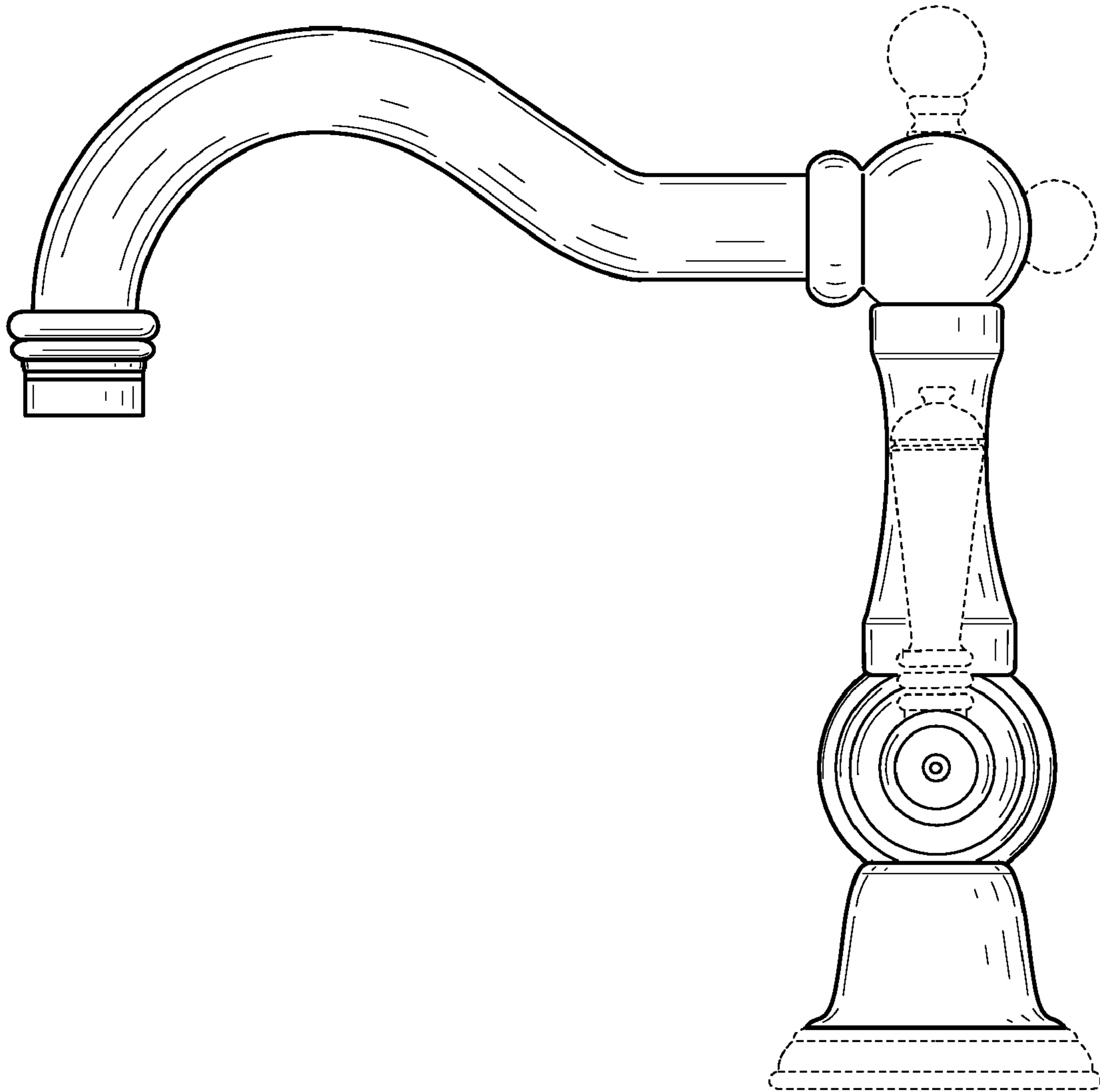


FIG. 5

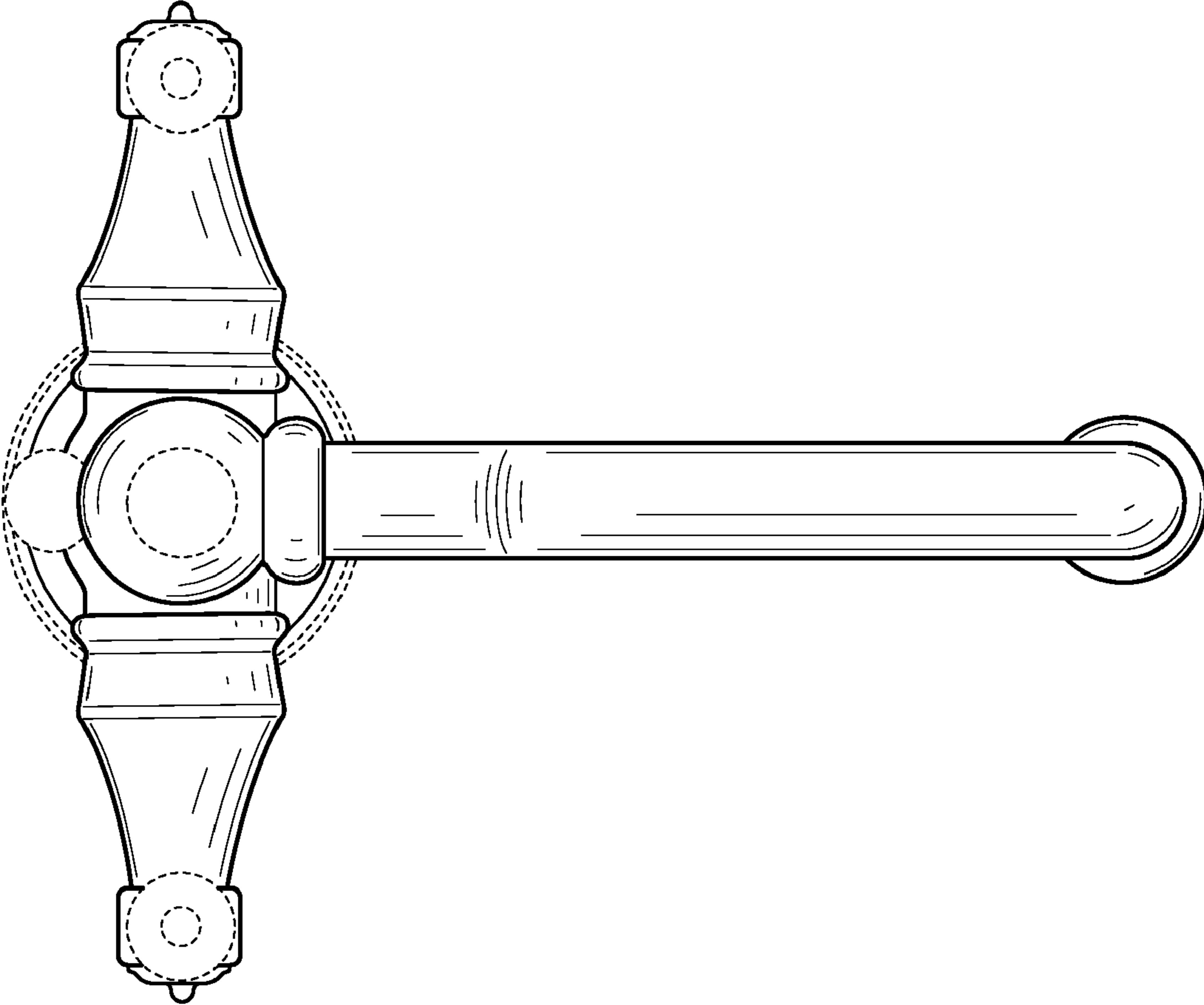


FIG. 6