



US00D586882S

(12) **United States Design Patent**
Cummings et al.

(10) **Patent No.:** **US D586,882 S**

(45) **Date of Patent:** **** Feb. 17, 2009**

(54) **BUTTON AND SPOUT ASSEMBLY**

D537,146 S * 2/2007 Hanna D23/238
D541,907 S * 5/2007 Qing D23/238

(75) Inventors: **Stephen John Cummings**, Newport (AU); **Vincent Kai Hong Ho**, Stanmore (AU)

* cited by examiner

Primary Examiner—Robert A. Delehanty

Assistant Examiner—Mark Cavanna

(73) Assignee: **Caroma Industries Limited** (AU)

(74) *Attorney, Agent, or Firm*—Fitch, Even, Tabin & Flannery

(**) Term: **14 Years**

(21) Appl. No.: **29/283,624**

(57) **CLAIM**

(22) Filed: **Aug. 20, 2007**

The ornamental design for a button and spout assembly, as shown and described.

(51) **LOC (9) Cl.** **23-02**

(52) **U.S. Cl.** **D23/238**

(58) **Field of Classification Search** D23/200,
D23/238-257; D6/512, 546, 550; D8/300,
D8/307-308, 310-312, 321; 4/675-678;
137/801; 16/110.1, 441

See application file for complete search history.

DESCRIPTION

FIG. 1 is a top plan view of a button and spout assembly showing our new design;

FIG. 2 is a front plan view thereof;

FIG. 3 is a left side view thereof;

FIG. 4 is a right side view thereof;

FIG. 5 is a rear view thereof; and,

FIG. 6 is a front perspective view of our new design.

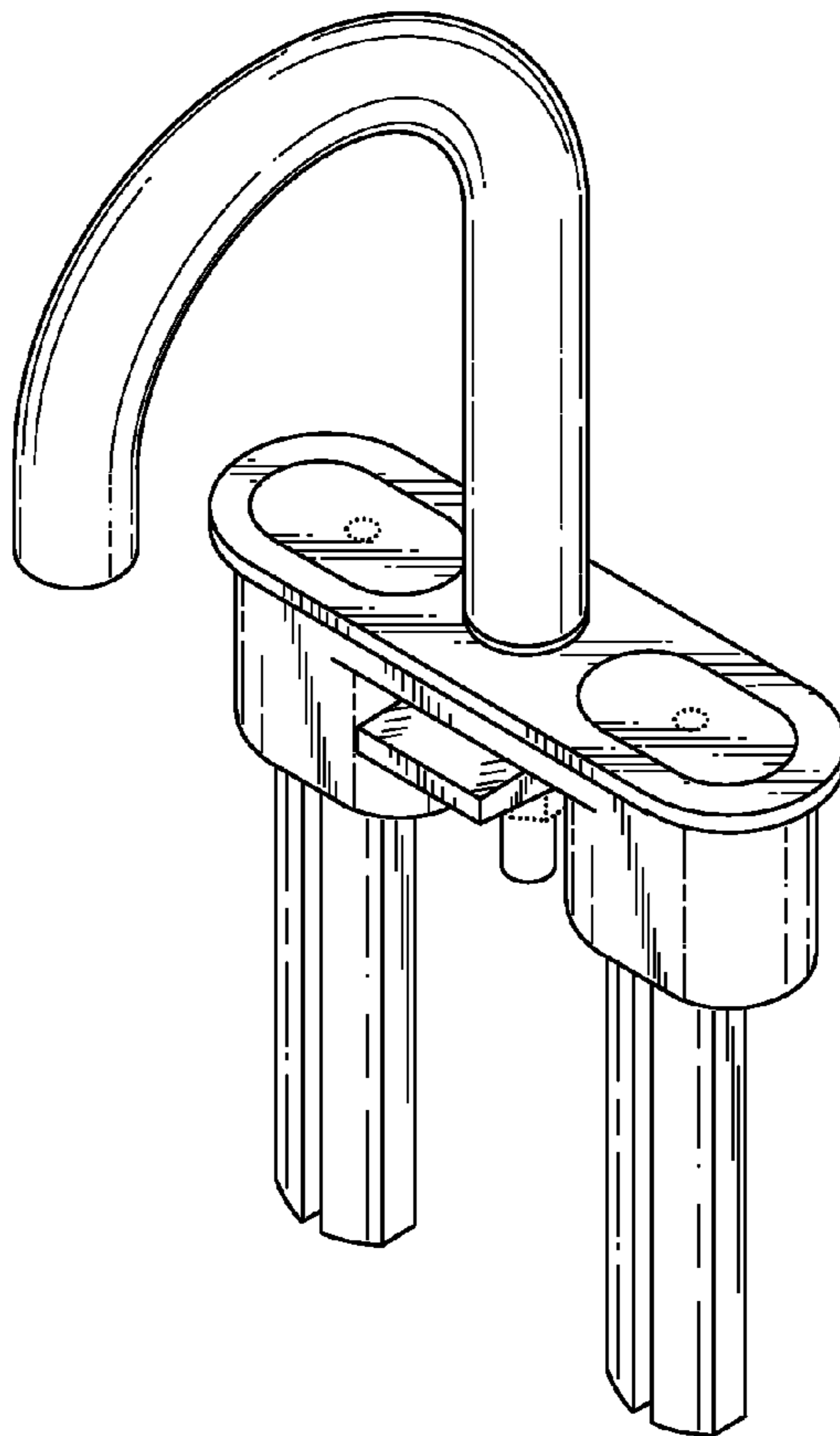
The broken lines showing the nut and washer are included for the purpose of illustrating a portion of the button and spout assembly that forms no part of the claimed design.

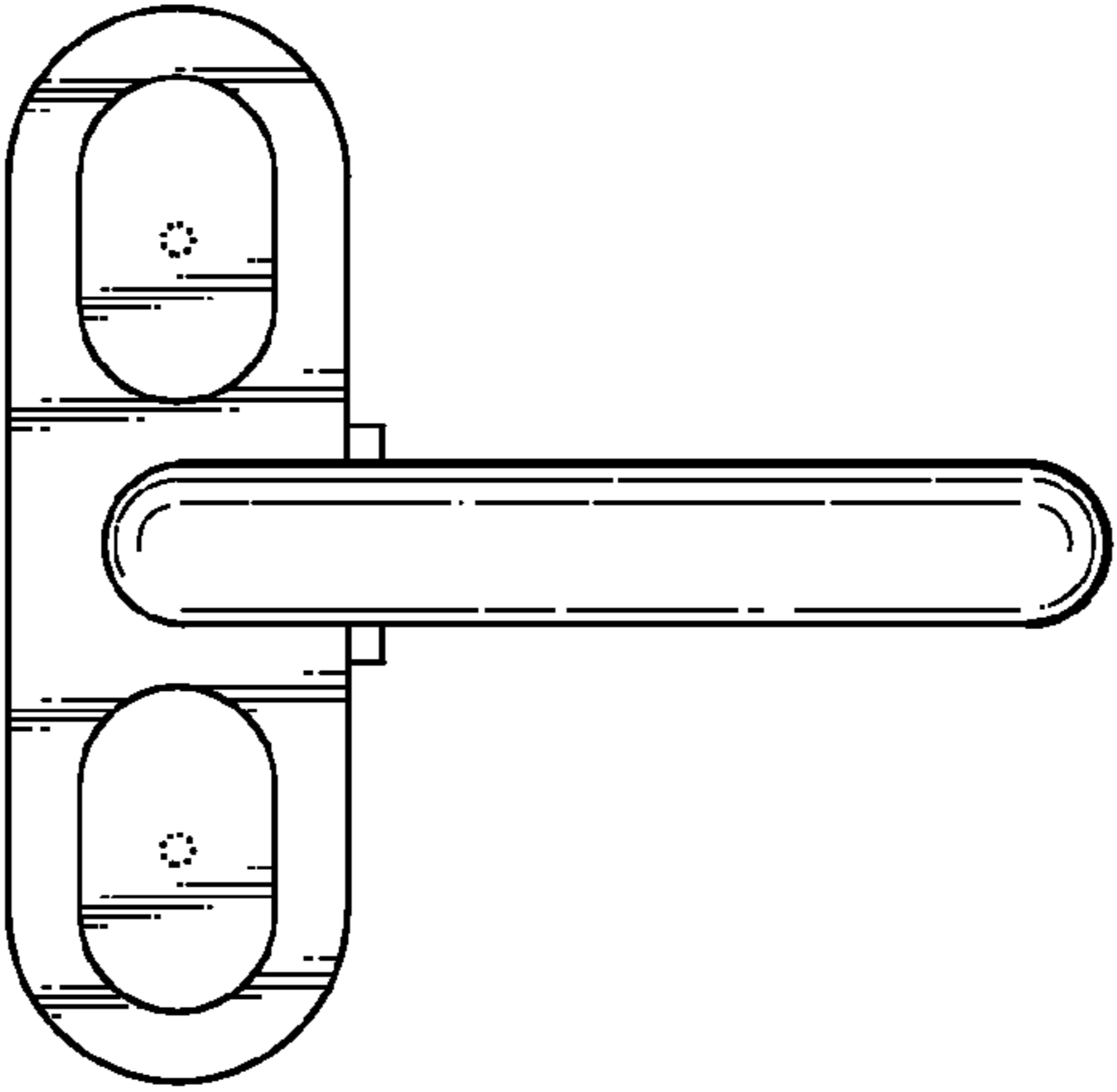
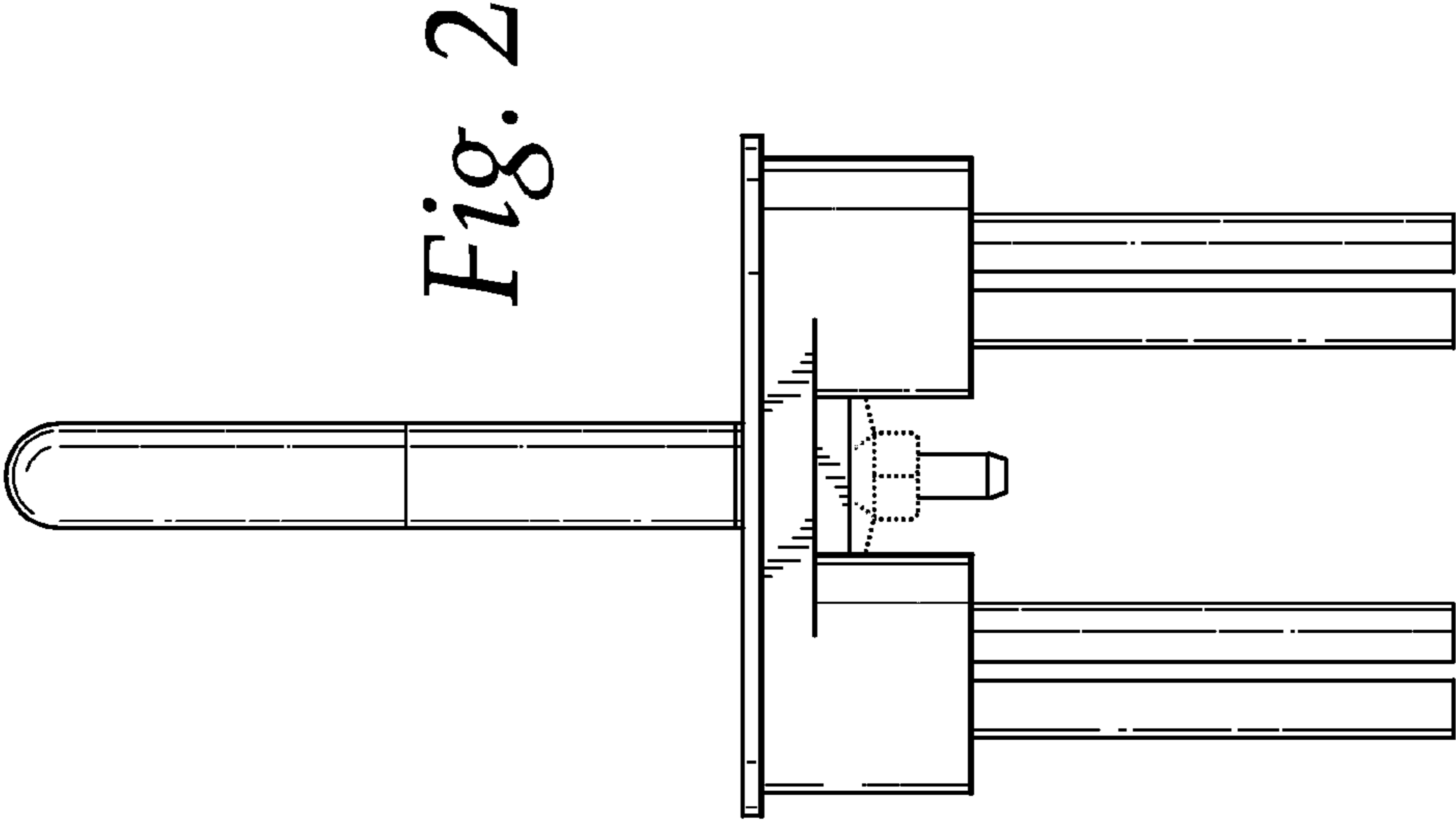
(56) **References Cited**

U.S. PATENT DOCUMENTS

D373,179 S	*	8/1996	Sieger	D23/241
D509,283 S	*	9/2005	Sieger	D23/238
D529,584 S	*	10/2006	Buschmann	D23/238
D533,630 S	*	12/2006	Zetsche	D23/242
D536,425 S	*	2/2007	VanMarcke	D23/255

1 Claim, 3 Drawing Sheets





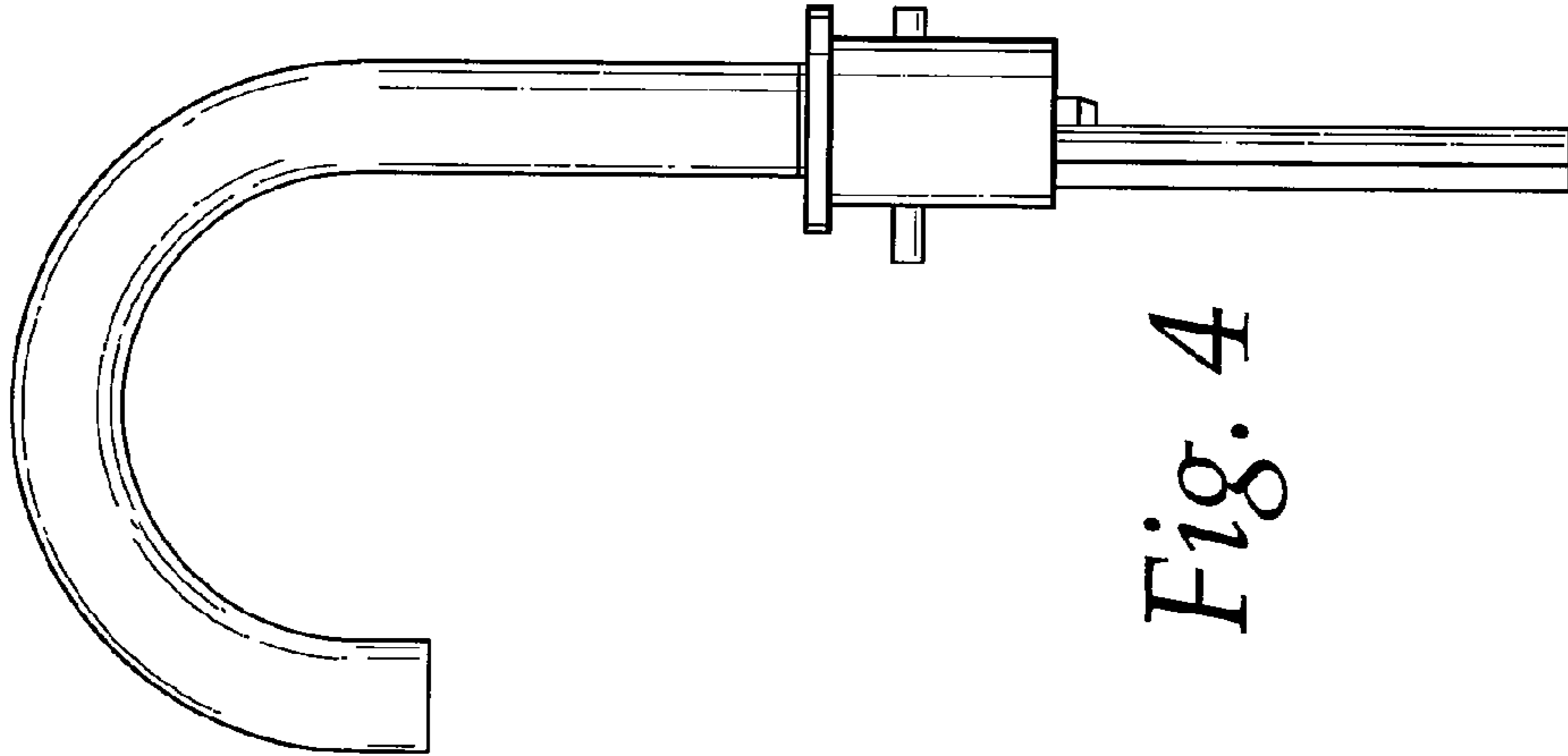


Fig. 4

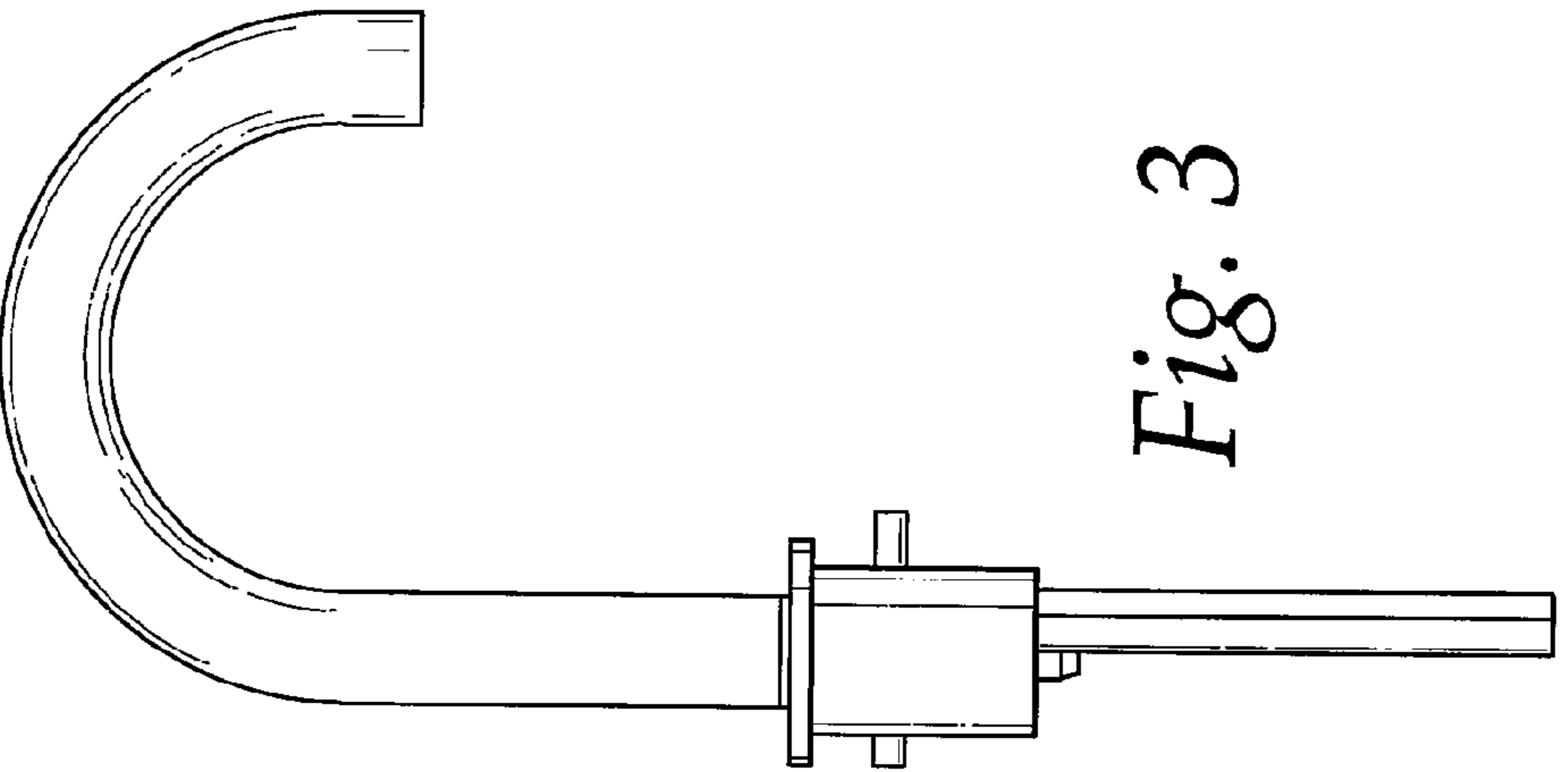


Fig. 3

Fig. 6

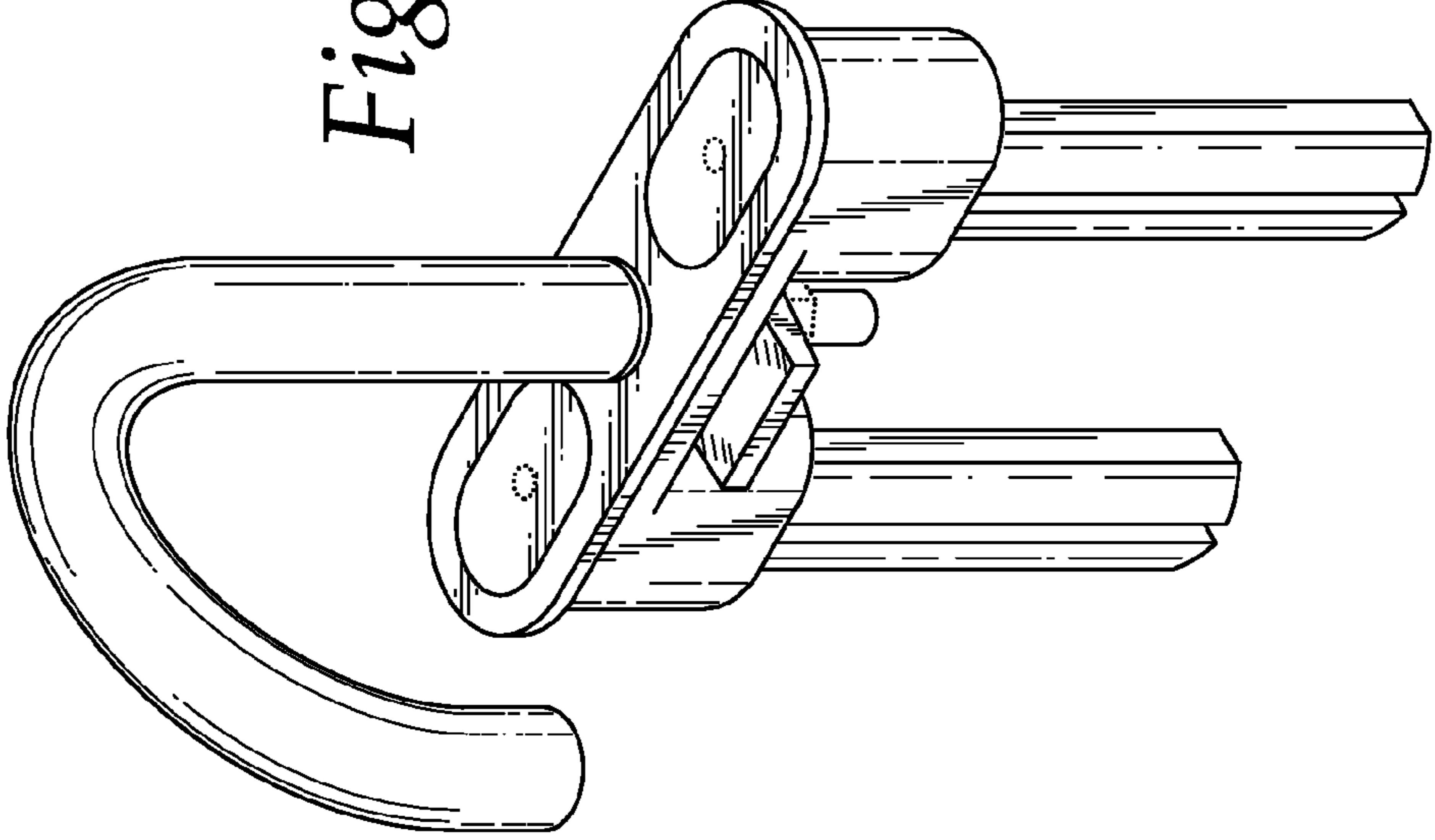


Fig. 5

