



US00D586881S

(12) **United States Design Patent**
Lammel et al.

(10) **Patent No.:** **US D586,881 S**
(45) **Date of Patent:** **** Feb. 17, 2009**

(54) **FAUCET**

(75) Inventors: **Michael Lammel**, Aachen (DE);
Michael Zeisel, Aachen (DE)

(73) Assignee: **KWC AG**, Unterkulm (CH)

(**) Term: **14 Years**

(21) Appl. No.: **29/281,057**

(22) Filed: **Jun. 14, 2007**

(30) **Foreign Application Priority Data**

Jan. 19, 2007 (CH) 133548

(51) **LOC (9) Cl.** **23-01**

(52) **U.S. Cl.** **D23/238**

(58) **Field of Classification Search** D23/200,
D23/238-257; D6/512, 546, 550; D8/300,
D8/307-308, 310-312, 321; 4/675-678;
137/801; 16/110.1, 441

See application file for complete search history.

(56) **References Cited**

U.S. PATENT DOCUMENTS

D481,104 S * 10/2003 Wettstein et al. D23/238
D487,134 S * 2/2004 Blattner D23/238
D489,432 S 5/2004 Lammel et al.

D510,612 S 10/2005 Lammel et al.
D531,699 S * 11/2006 Haug et al. D23/238
D541,381 S * 4/2007 Haug et al. D23/238
D548,308 S * 8/2007 Hoernig D23/238

* cited by examiner

Primary Examiner—Robert A. Delehanty

Assistant Examiner—Mark Cavanna

(74) *Attorney, Agent, or Firm*—Oblon, Spivak, McClelland,
Maier & Neustadt, P.C.

(57) **CLAIM**

The ornamental design for a faucet or the like, as shown.

DESCRIPTION

FIG. 1 is a top and left front perspective view of a faucet or the like, showing our new design;

FIG. 2 is a top plan view thereof;

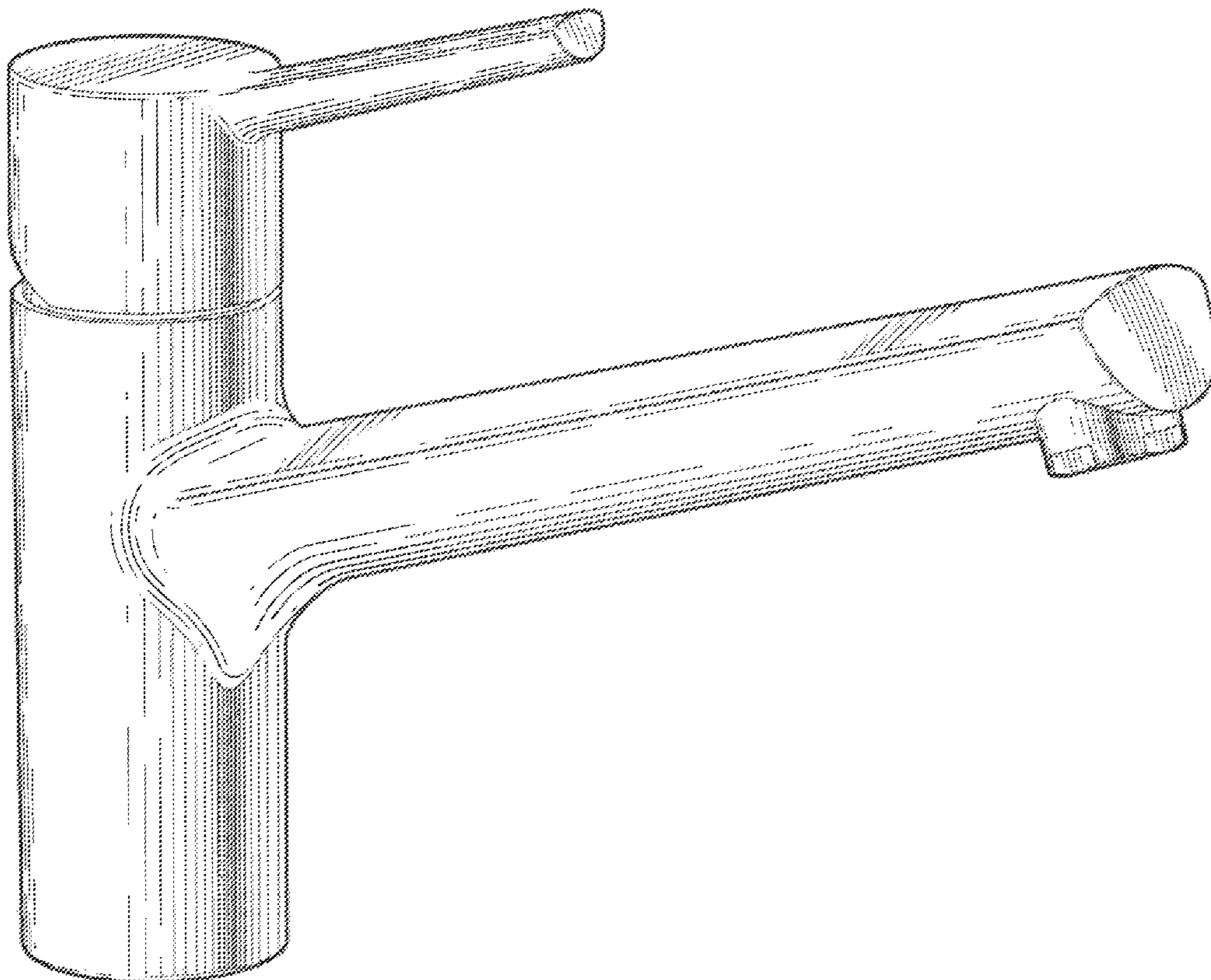
FIG. 3 is a right side elevational view thereof, the left side elevational view being a mirror image of the side view shown;

FIG. 4 is a rear elevational view thereof; and,

FIG. 5 is a front elevational view thereof.

The broken line showing of the spout is included for the purpose of illustrating a portion of the faucet that forms no part of the claimed design.

1 Claim, 5 Drawing Sheets



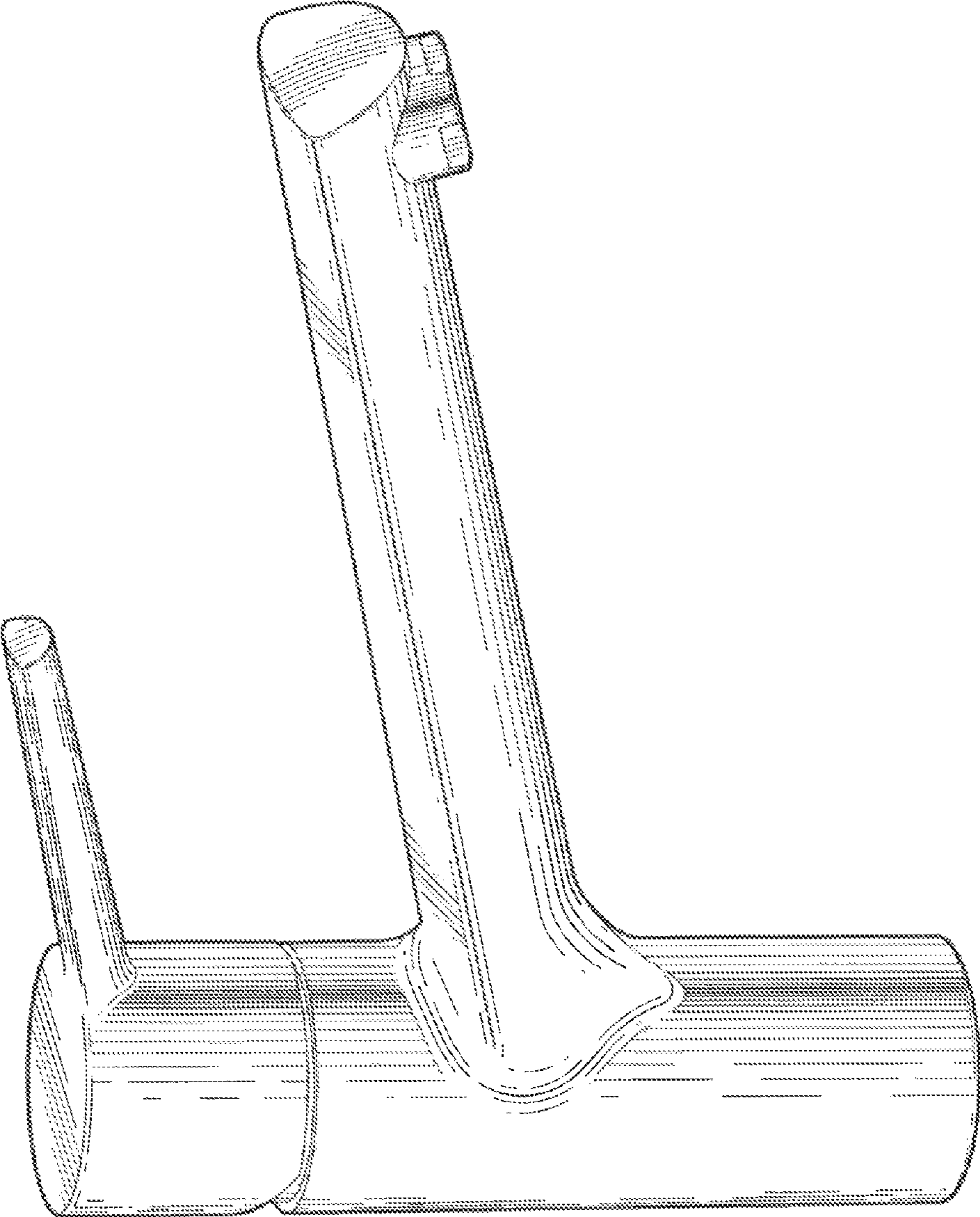


Fig. 1

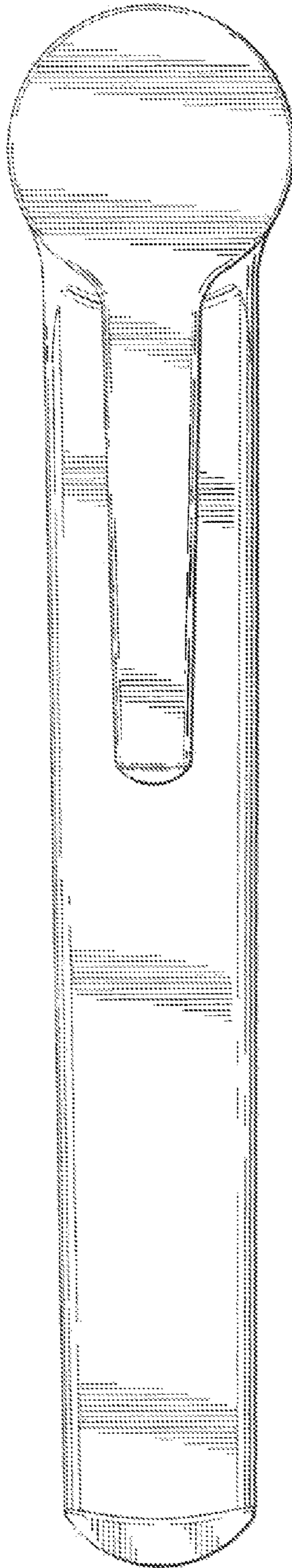


Fig. 2

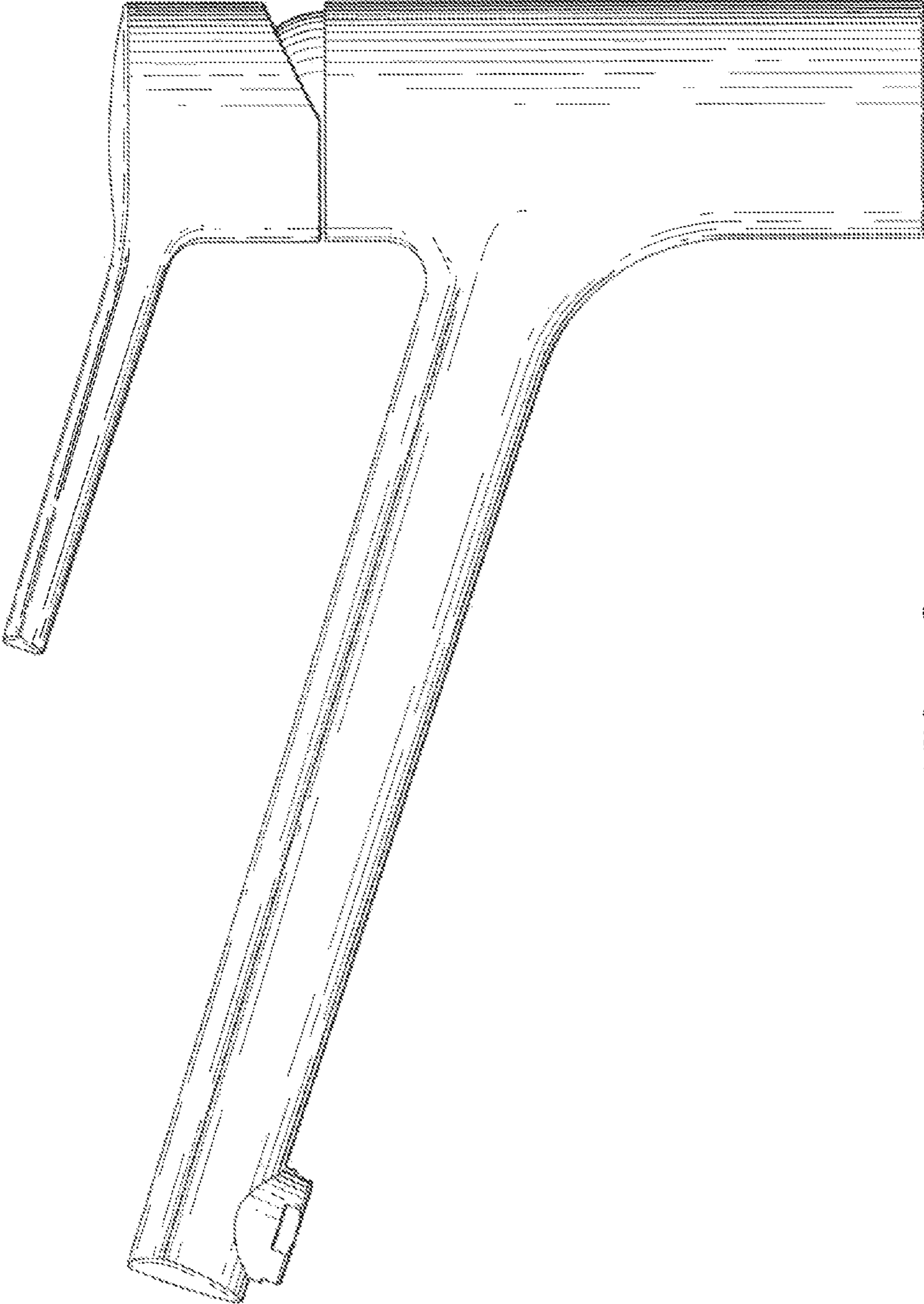


Fig. 3



Fig. 4

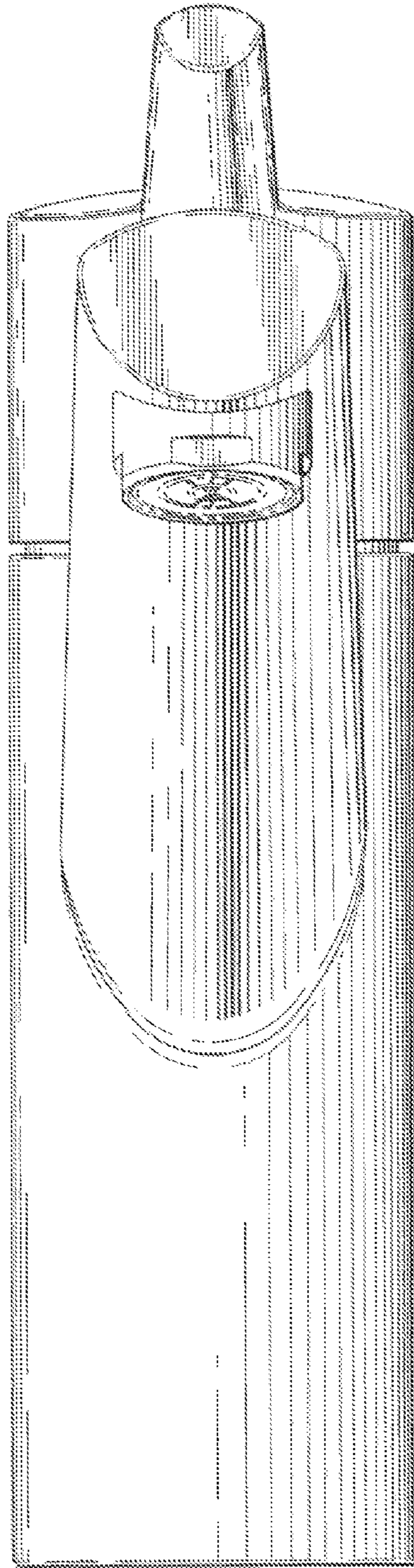


Fig. 5