



US00D586880S

(12) **United States Design Patent**
Gaston et al.

(10) **Patent No.:** **US D586,880 S**

(45) **Date of Patent:** **** Feb. 17, 2009**

(54) **FAUCET MOUNT HOUSING**

(75) Inventors: **Johannes Nikolai Gaston**, Minnetonka, MN (US); **Douglas James VanOrnum**, Minnetonka, MN (US); **Jason Alan Born**, Loveland, OH (US); **Richard Paul Riedel**, Mason, OH (US); **William Joseph Cruzen**, Monticello, MN (US)

4,173,296 A 11/1979 Marshall
4,196,817 A 4/1980 Moser
4,306,667 A 12/1981 Sedam et al.
4,335,837 A 6/1982 Bono
4,440,318 A 4/1984 Berger
4,493,441 A 1/1985 Sedam et al.
4,496,080 A 1/1985 Farber et al.

(Continued)

(73) Assignee: **PUR Water Purification Products Inc.**, Cincinnati, OH (US)

FOREIGN PATENT DOCUMENTS

DE 296 11 611 U1 3/1996

(**) Term: **14 Years**

(Continued)

(21) Appl. No.: **29/250,521**

Primary Examiner—T. Chase Nelson
Assistant Examiner—Ania K Dworzecka

(22) Filed: **Nov. 17, 2006**

(74) *Attorney, Agent, or Firm*—Kelly L. McDow; Andrew A. Paul

(51) **LOC (9) Cl.** **23-01**

(52) **U.S. Cl.** **D23/209**

(58) **Field of Classification Search** D23/207–209;
210/460, 461, 449, 235

(57) **CLAIM**

See application file for complete search history.

The ornamental design for a faucet mount housing, as shown.

(56) **References Cited**

DESCRIPTION

U.S. PATENT DOCUMENTS

2,684,787 A 7/1954 Charpiat
2,823,833 A 2/1958 Bauerlein
2,894,377 A 7/1959 Shikles, Jr. et al.
3,240,395 A 3/1966 Carver
3,266,672 A 8/1966 Dean
3,280,591 A 10/1966 Webster
3,292,822 A 12/1966 Crowder et al.
3,299,663 A 1/1967 Butcher
3,312,083 A 4/1967 Scoggins et al.
3,321,097 A 5/1967 Solowey
3,769,977 A 11/1973 Victory
3,974,847 A 8/1976 Hodges

FIG. 1 is a perspective view of a faucet mount housing showing our new design;

FIG. 2 is a front side elevational view thereof;

FIG. 3 is a rear elevational view thereof;

FIG. 4 is a left side elevational view thereof;

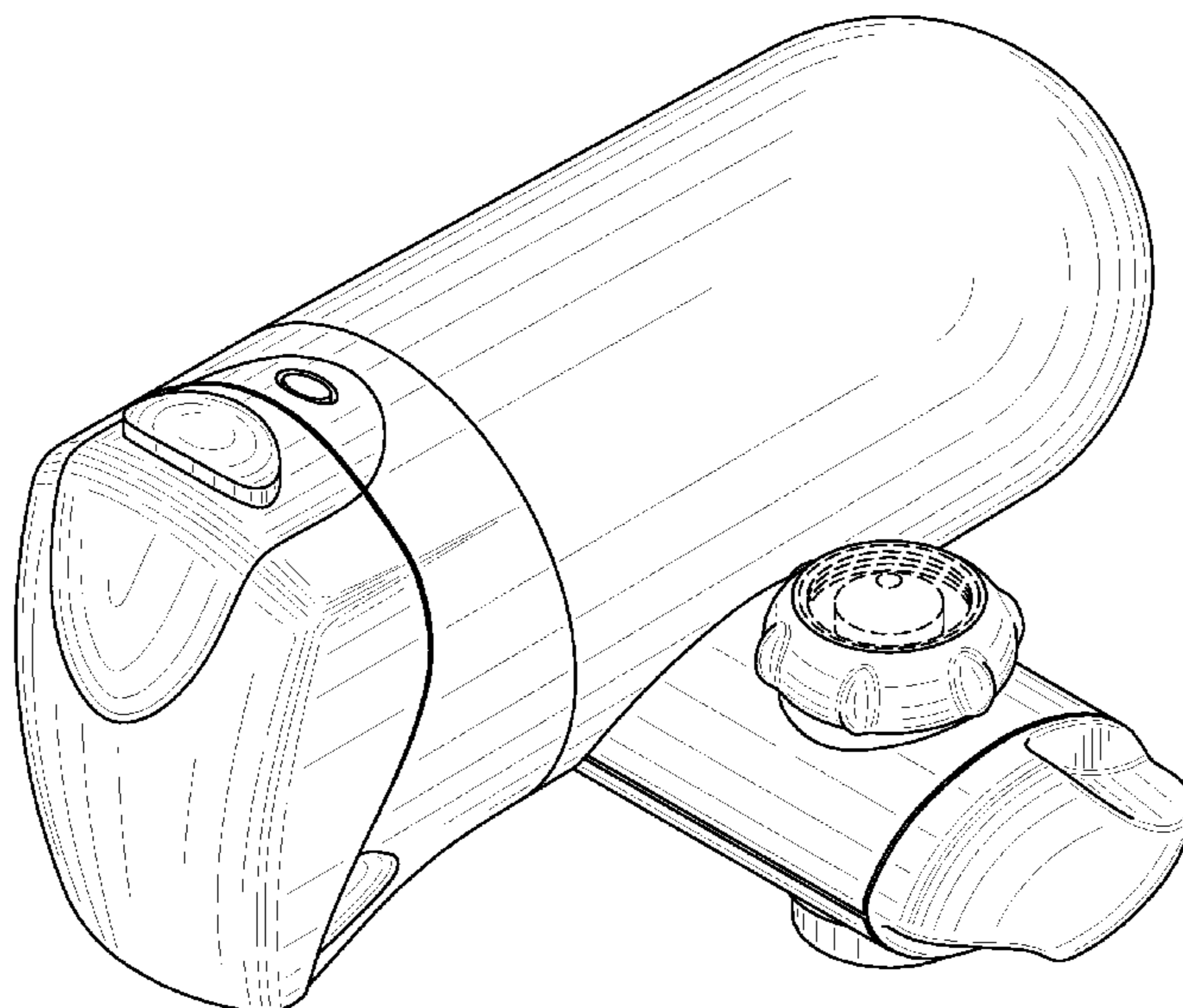
FIG. 5 is a right side elevational view thereof;

FIG. 6 is a top plan view thereof; and,

FIG. 7 is a bottom plan view.

In the drawings, the broken lines depict environmental subject matter only and form no part of the claimed design.

1 Claim, 6 Drawing Sheets



US D586,880 S

Page 2

U.S. PATENT DOCUMENTS

4,526,730	A	7/1985	Cochran et al.
4,566,287	A	1/1986	Schmidt et al.
4,610,145	A	9/1986	Arzberger et al.
4,627,554	A	12/1986	Leibinsohn
4,629,098	A	12/1986	Eger
4,632,275	A	12/1986	Parks
4,633,678	A	1/1987	Lea et al.
4,635,824	A	1/1987	Gaunt et al.
4,651,905	A	3/1987	Hayes
4,660,741	A	4/1987	Kirschner et al.
4,674,656	A	6/1987	Wiley et al.
4,676,283	A	6/1987	Caldwell
4,703,770	A	11/1987	Arzberger et al.
4,708,266	A	11/1987	Rudick
4,750,645	A	6/1988	Wilson et al.
4,752,018	A	6/1988	Rudick et al.
4,852,781	A	8/1989	Shurnick et al.
4,958,629	A	9/1990	Peace et al.
5,060,833	A	10/1991	Edison et al.
5,096,095	A	3/1992	Burton
5,114,048	A	5/1992	Minke
5,211,973	A	5/1993	Nohren, Jr.
5,215,231	A	6/1993	Paczonay
5,772,017	A	6/1998	Kang
5,922,378	A	7/1999	Kagan et al.
5,928,504	A *	7/1999	Hembre et al. 210/88
5,976,362	A *	11/1999	Wadsworth et al. 210/87
5,993,648	A	11/1999	Hunter et al.
6,024,012	A	2/2000	Luzenberg, Jr.
6,123,837	A *	9/2000	Wadsworth et al. 210/87
D438,592	S *	3/2001	Gaston et al. D23/209
6,220,490	B1	4/2001	O'Hara
6,221,416	B1	4/2001	Nohren, Jr.
D453,952	S *	2/2002	Gaston et al. D23/209
6,372,270	B1	4/2002	Denny
6,409,099	B1	6/2002	Goodwin et al.
6,419,166	B1	7/2002	Brzezinski et al.

6,482,451	B1	11/2002	Baron
6,497,348	B2	12/2002	Forsman et al.
6,517,878	B2	2/2003	Heczko
6,540,070	B1	4/2003	Conwell
6,569,329	B1	5/2003	Nohren, Jr.
6,651,824	B2	11/2003	Miller
6,652,893	B2	11/2003	Berson
D484,567	S *	12/2003	Gaston et al. D23/209
6,959,839	B2	11/2005	Roth et al.
7,018,531	B2	3/2006	Eilers et al.
D533,622	S *	12/2006	Ross et al. D23/209
D542,374	S *	5/2007	Green et al. D23/209
2003/0019764	A1	1/2003	Baldwin et al.
2003/0234212	A1	12/2003	Ito et al.
2004/0129617	A1 *	7/2004	Tanner et al. 210/110
2004/0161504	A1	8/2004	Daniels et al.
2004/0262328	A1	12/2004	Nilsen
2005/0035054	A1 *	2/2005	Chu 210/449
2005/0040092	A1	2/2005	Eilers et al.
2005/0051494	A1	3/2005	Na et al.
2005/0098485	A1 *	5/2005	Boyd et al. 210/87
2005/0127101	A1	6/2005	Roth et al.
2005/0133420	A1	6/2005	Rinker et al.
2005/0258082	A1	11/2005	Lund et al.
2006/0006107	A1	1/2006	Olson et al.
2006/0021919	A1	2/2006	Olson et al.
2006/0032795	A1 *	2/2006	Warren et al. 210/87
2006/0191824	A1	8/2006	Arett et al.
2006/0207920	A1 *	9/2006	Lackey et al. 210/87
2006/0266683	A1 *	11/2006	Sung 210/198.1

FOREIGN PATENT DOCUMENTS

JP	01027458	A	1/1989
JP	08113295	A	7/1996
WO	91-17949		11/1991
WO	2004013047	A2	8/2003
WO	2005000079	A1	6/2004

* cited by examiner

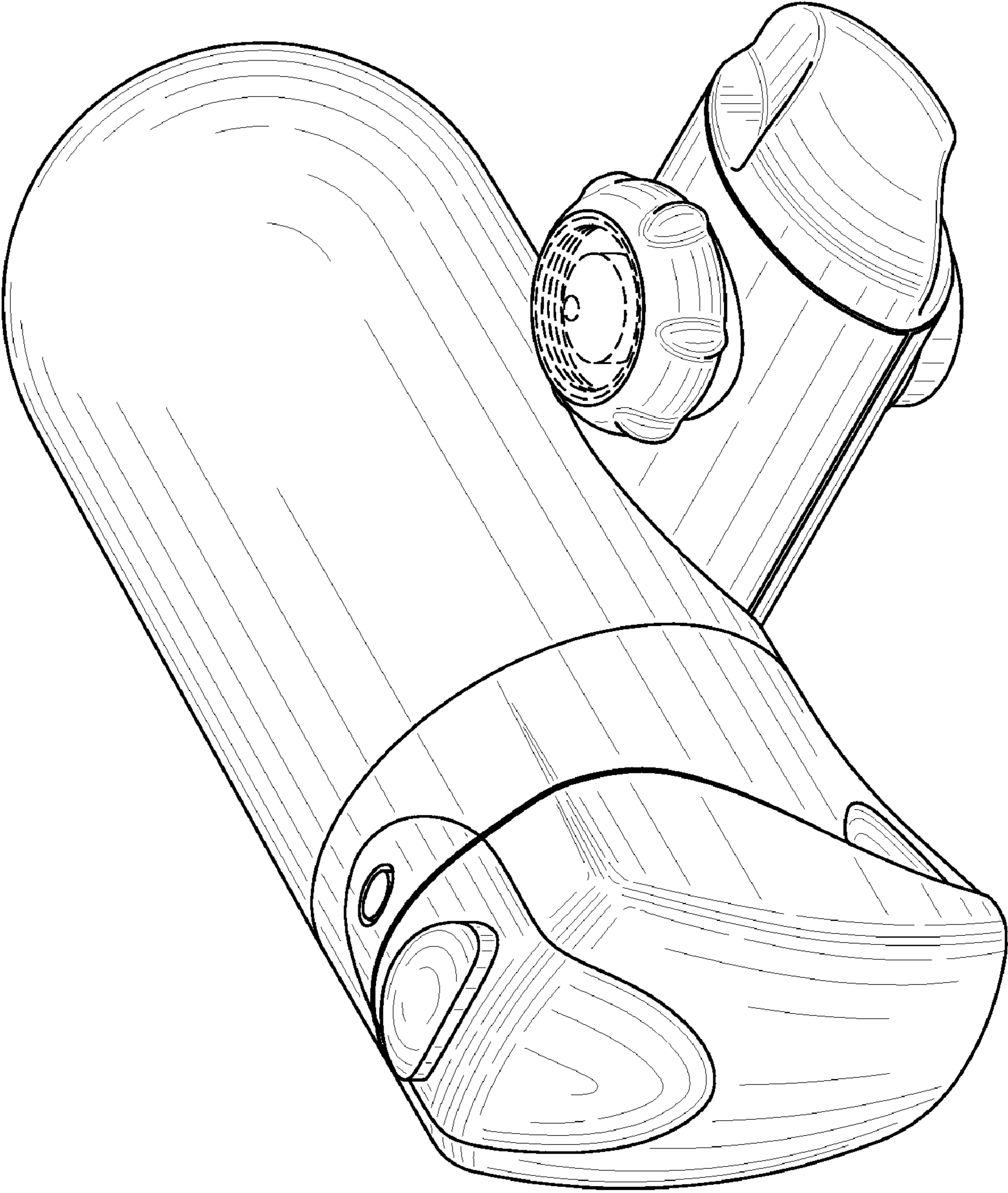


FIG. 1

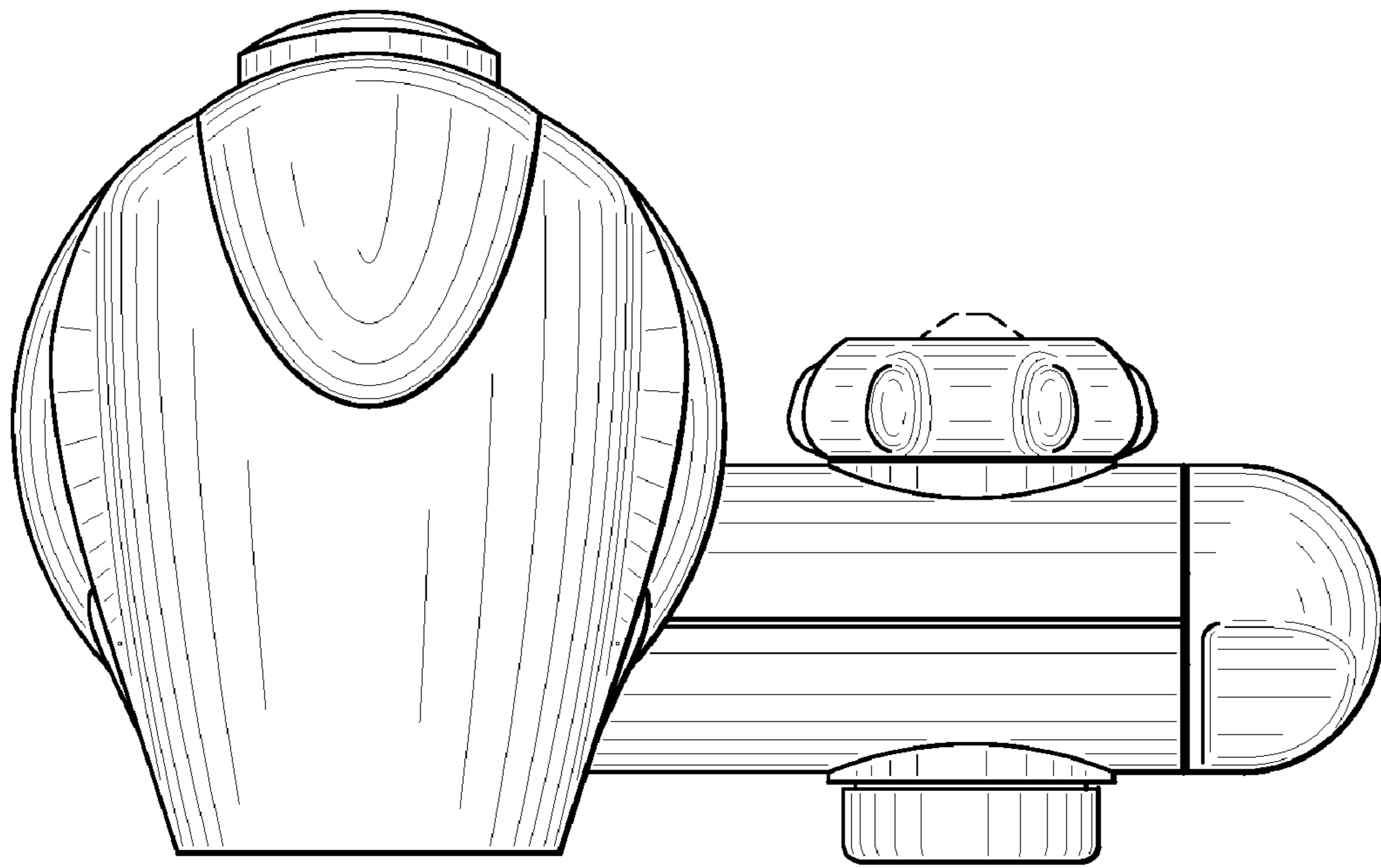


FIG. 2

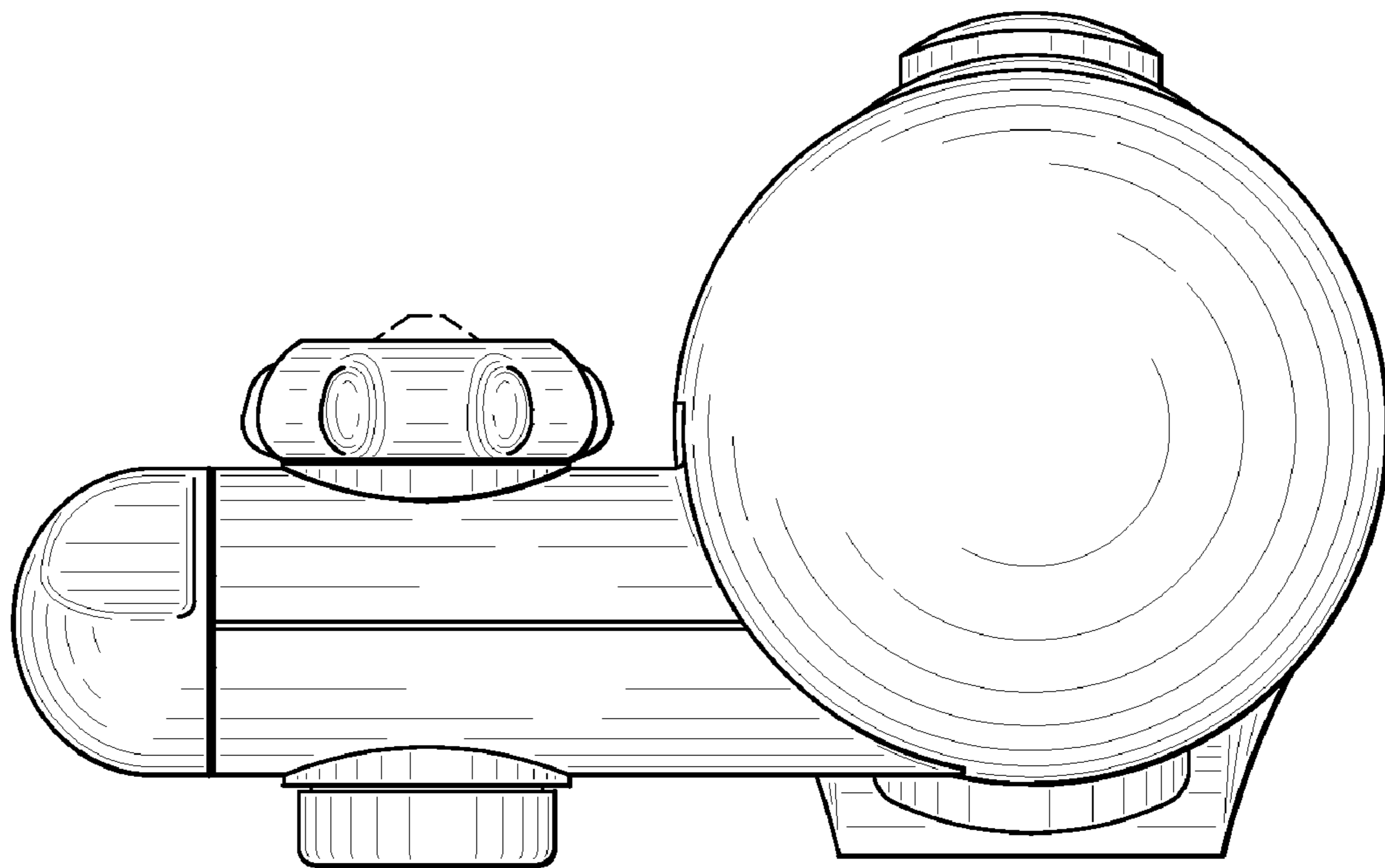


FIG. 3

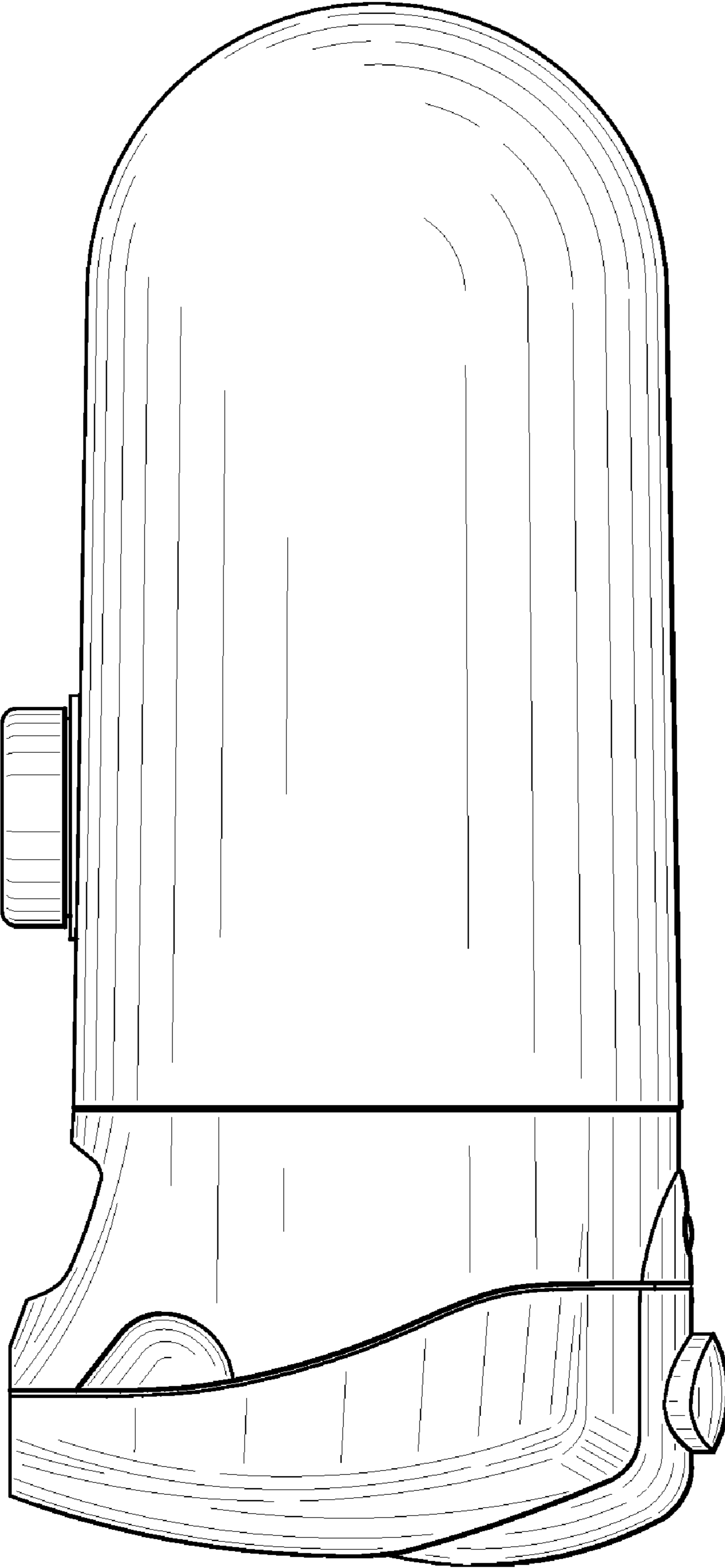


FIG. 4

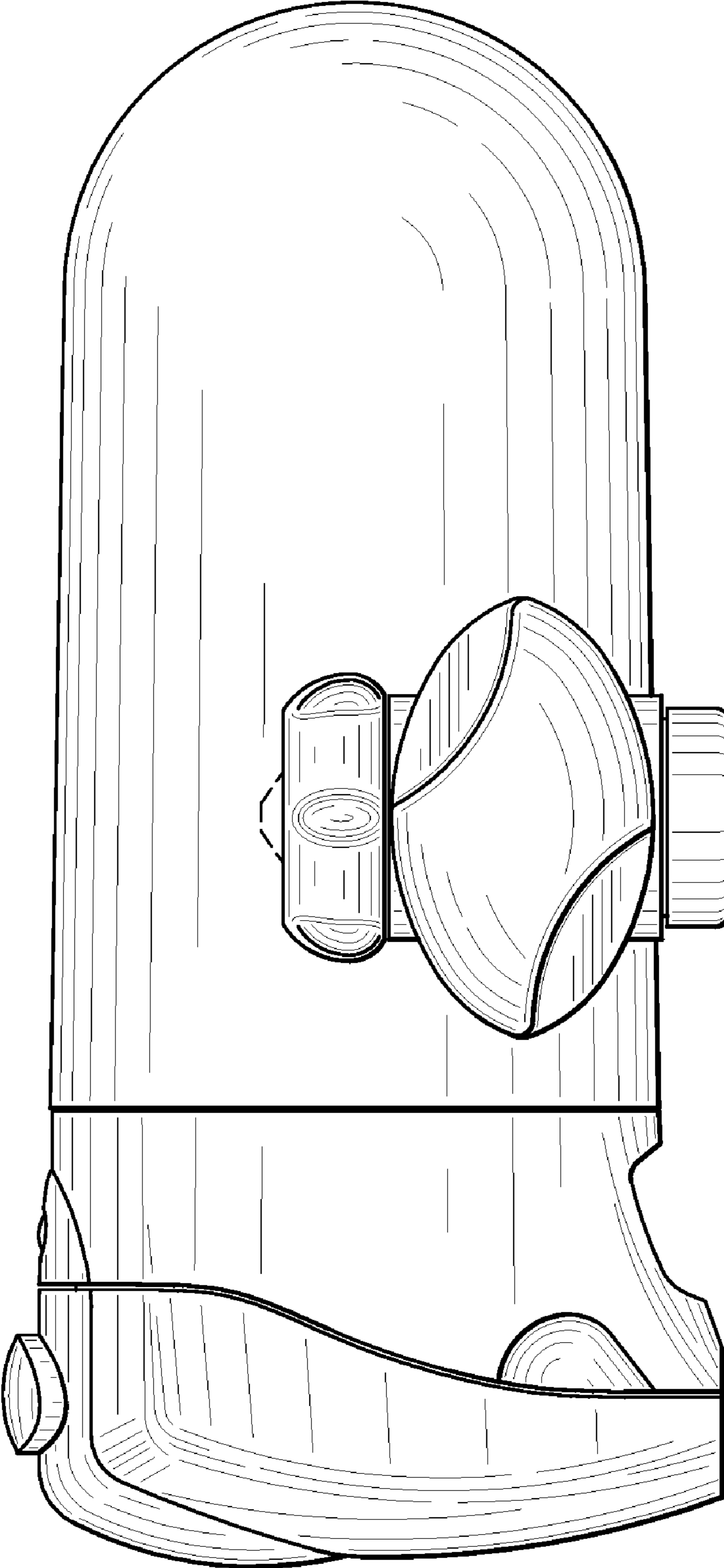


FIG. 5

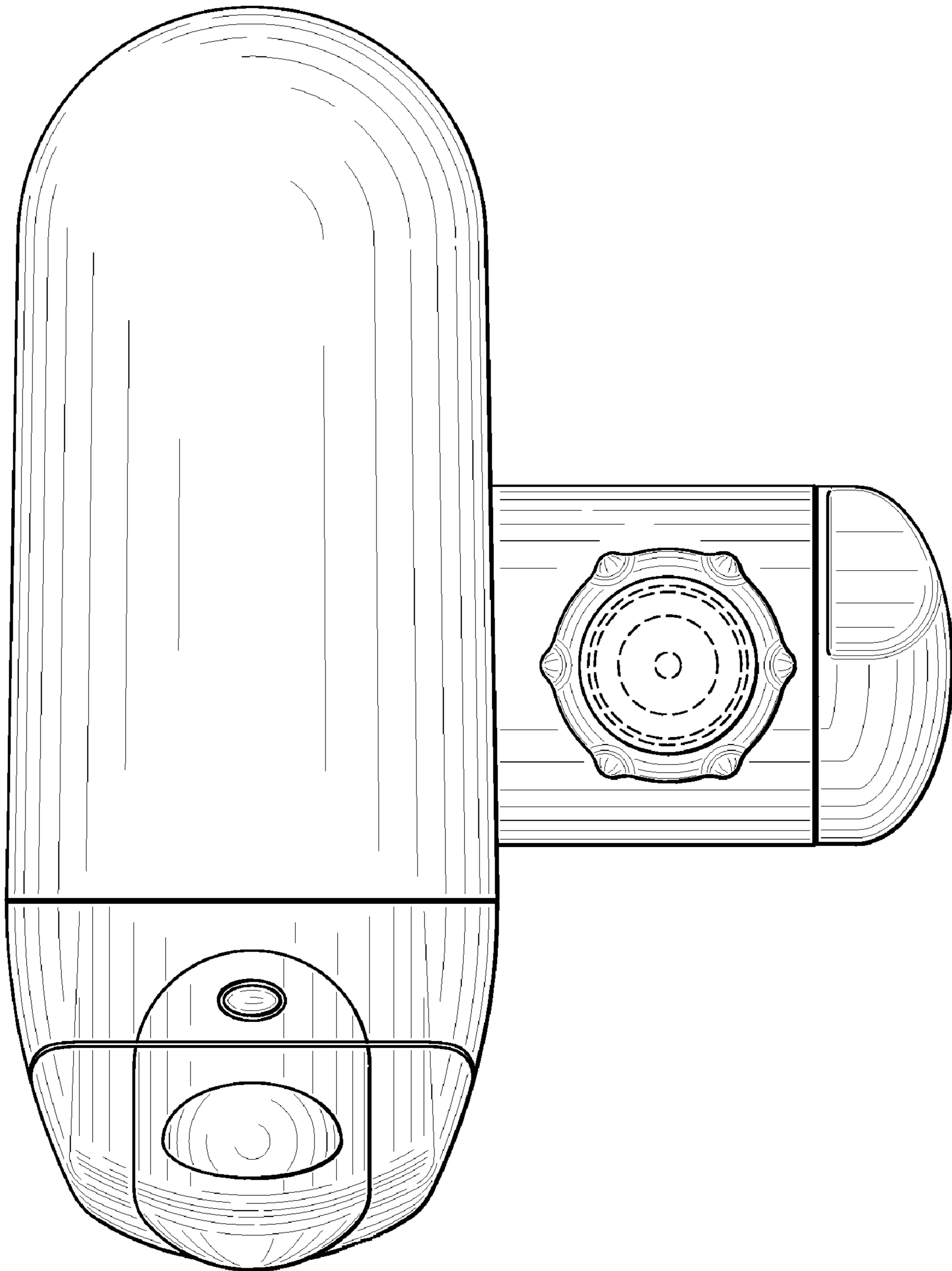


FIG. 6

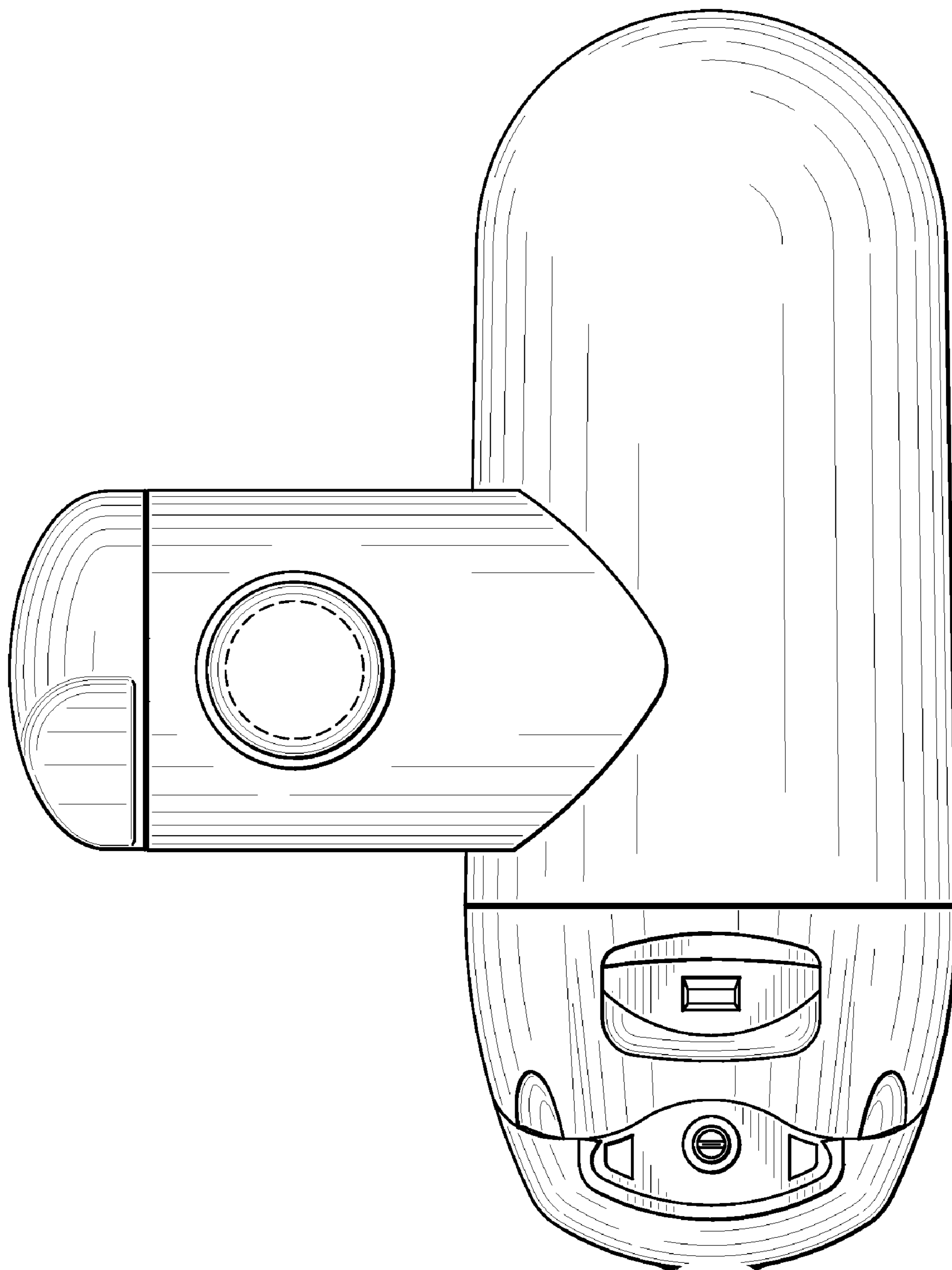


FIG. 7