



US00D586876S

(12) **United States Design Patent**
Kern

(10) **Patent No.:** **US D586,876 S**

(45) **Date of Patent:** **** Feb. 17, 2009**

(54) **LURE ENCLOSURE**

(57) **CLAIM**

(76) **Inventor:** **Raymond E. Kern**, 11395 Bodine Rd.,
Ste. Genevieve, MO (US) 63670-8609

The ornamental design for a lure enclosure, as shown and described.

(**) **Term:** **14 Years**

DESCRIPTION

(21) **Appl. No.:** **29/310,430**

(22) **Filed:** **Aug. 18, 2008**

(51) **LOC (9) Cl.** **22-05**

(52) **U.S. Cl.** **D22/134**

(58) **Field of Classification Search** D22/134,
D22/139, 144, 126; 43/25.2, 25, 57.1, 57.2;
206/315.11; D3/260

See application file for complete search history.

(56) **References Cited**

U.S. PATENT DOCUMENTS

2,285,888	A	6/1942	Benton	
2,767,505	A	10/1956	Reynolds	
5,235,775	A	8/1993	Daughtry	
5,502,916	A *	4/1996	Krewson, Jr.	43/25.2
5,505,916	A	4/1996	Krewson, Jr.	
D399,912	S *	10/1998	Kopp, III	D22/126
6,023,876	A *	2/2000	Haddad et al.	43/25.2
6,085,455	A *	7/2000	Bracken et al.	43/25.2
D475,432	S *	6/2003	LaLande	D22/126
6,606,814	B1	8/2003	Weaver	
6,711,847	B1 *	3/2004	Udelhoven	43/25.2
7,299,582	B1 *	11/2007	Whitehead	43/25.2
2002/0116861	A1	8/2002	Stockdale	

* cited by examiner

Primary Examiner—Catherine R Oliver

(74) *Attorney, Agent, or Firm*—Kevin L. Klug

FIG. 1 is a right front perspective view of the preferred embodiment of a lure enclosure in a closed form.

FIG. 2 is a left rear perspective view thereof.

FIG. 3 is a front view thereof.

FIG. 4 is a rear view thereof.

FIG. 5 is a right view thereof.

FIG. 6 is a left view thereof.

FIG. 7 is a top plan view thereof.

FIG. 8 is a bottom plan view thereof.

FIG. 9 is a right front perspective view of the preferred embodiment of a lure enclosure in an open form.

FIG. 10 is a right rear perspective view thereof.

FIG. 11 is a right view thereof.

FIG. 12 is a left view thereof.

FIG. 13 is a rear view thereof.

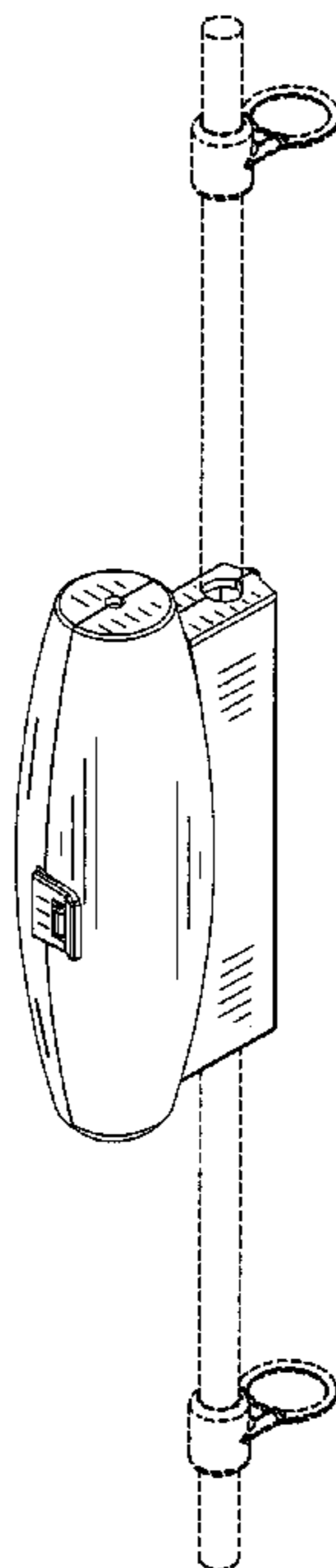
FIG. 14 is a front view thereof.

FIG. 15 is a top plan view thereof; and,

FIG. 16 is a bottom plan view thereof.

The broken lines showing a fishing rod are for the purpose of illustrating the environmental structure and form no part of the claimed design.

1 Claim, 6 Drawing Sheets



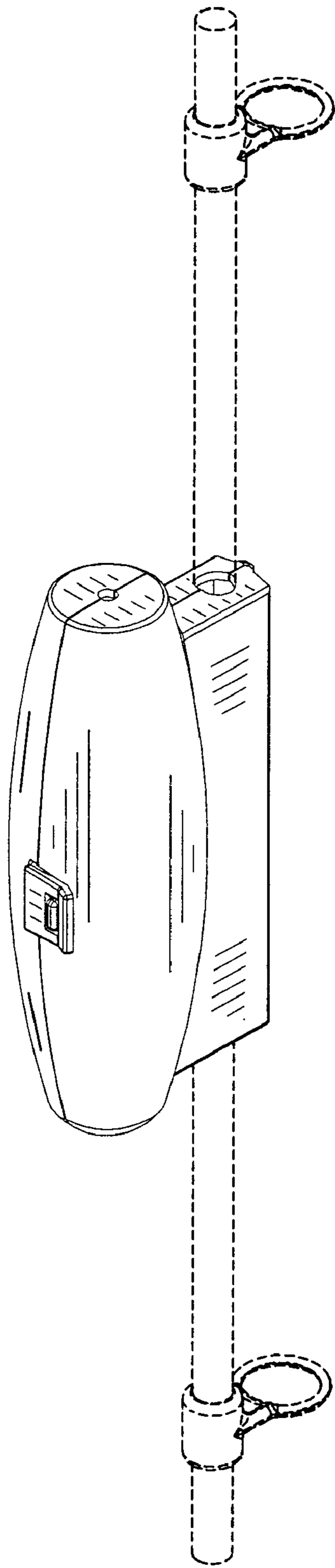


Fig. 1

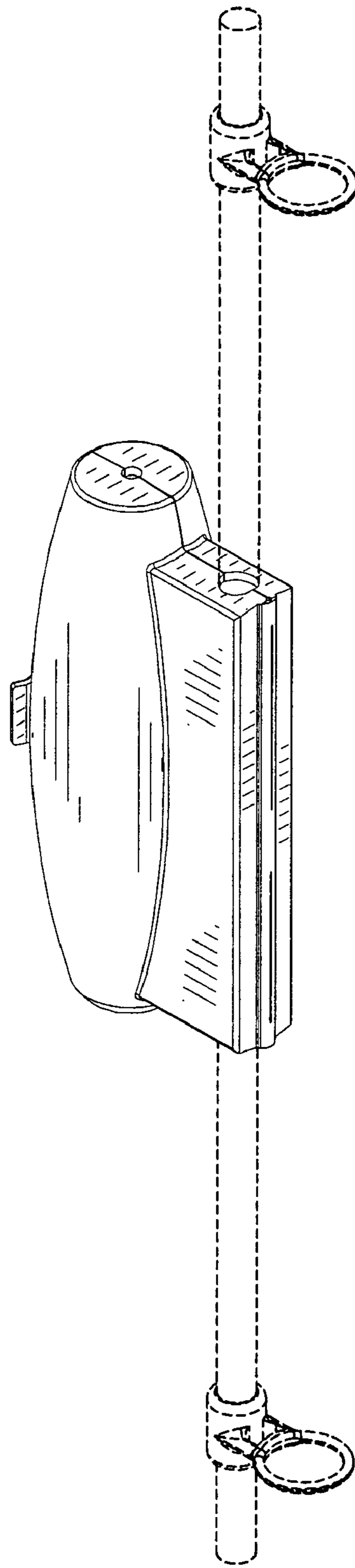


Fig. 2

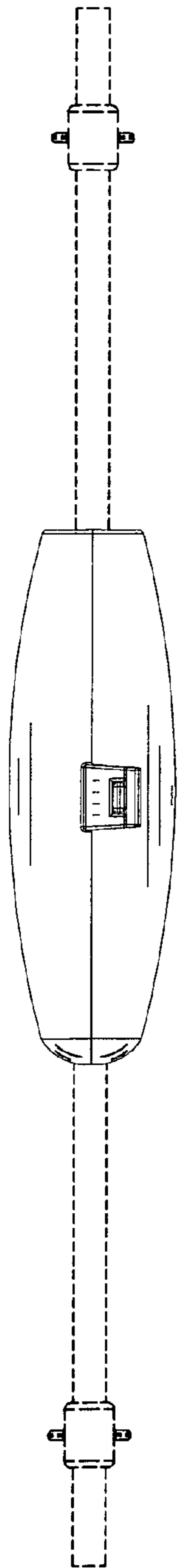


Fig. 3

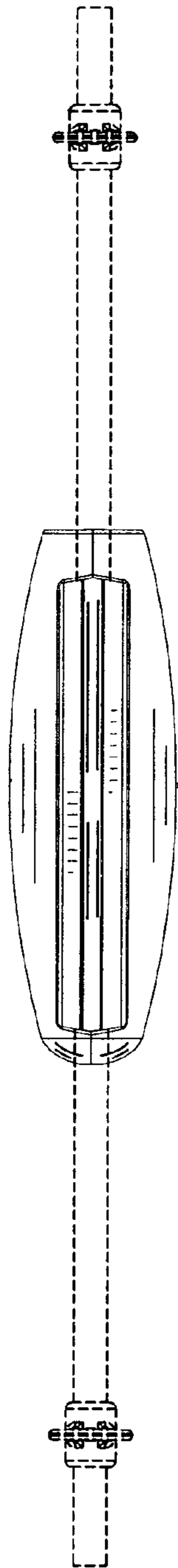


Fig. 4

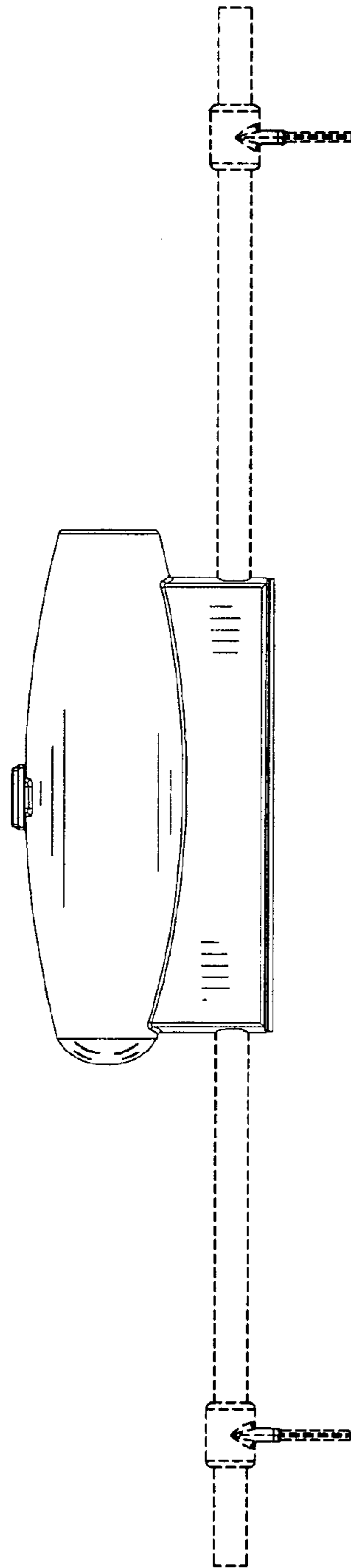


Fig. 5

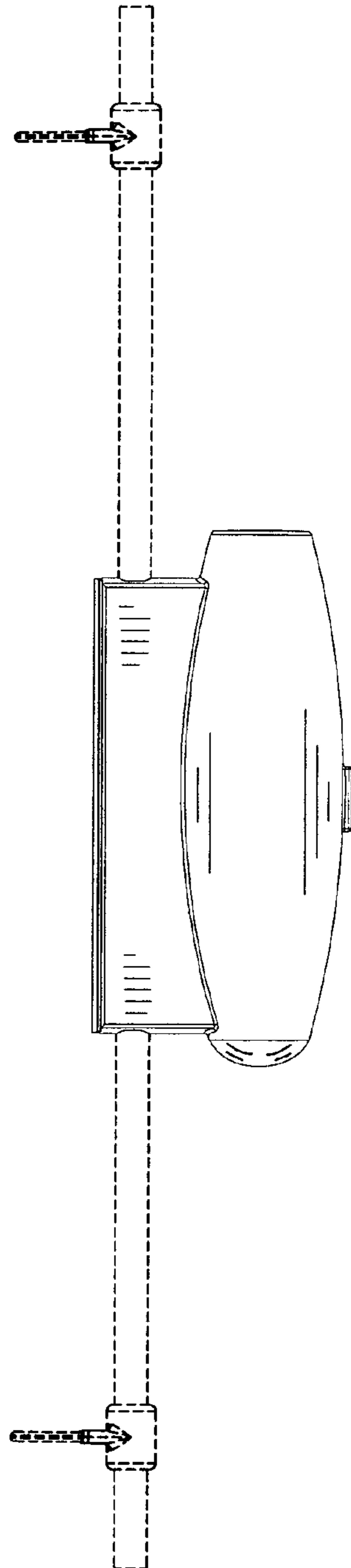


Fig. 6

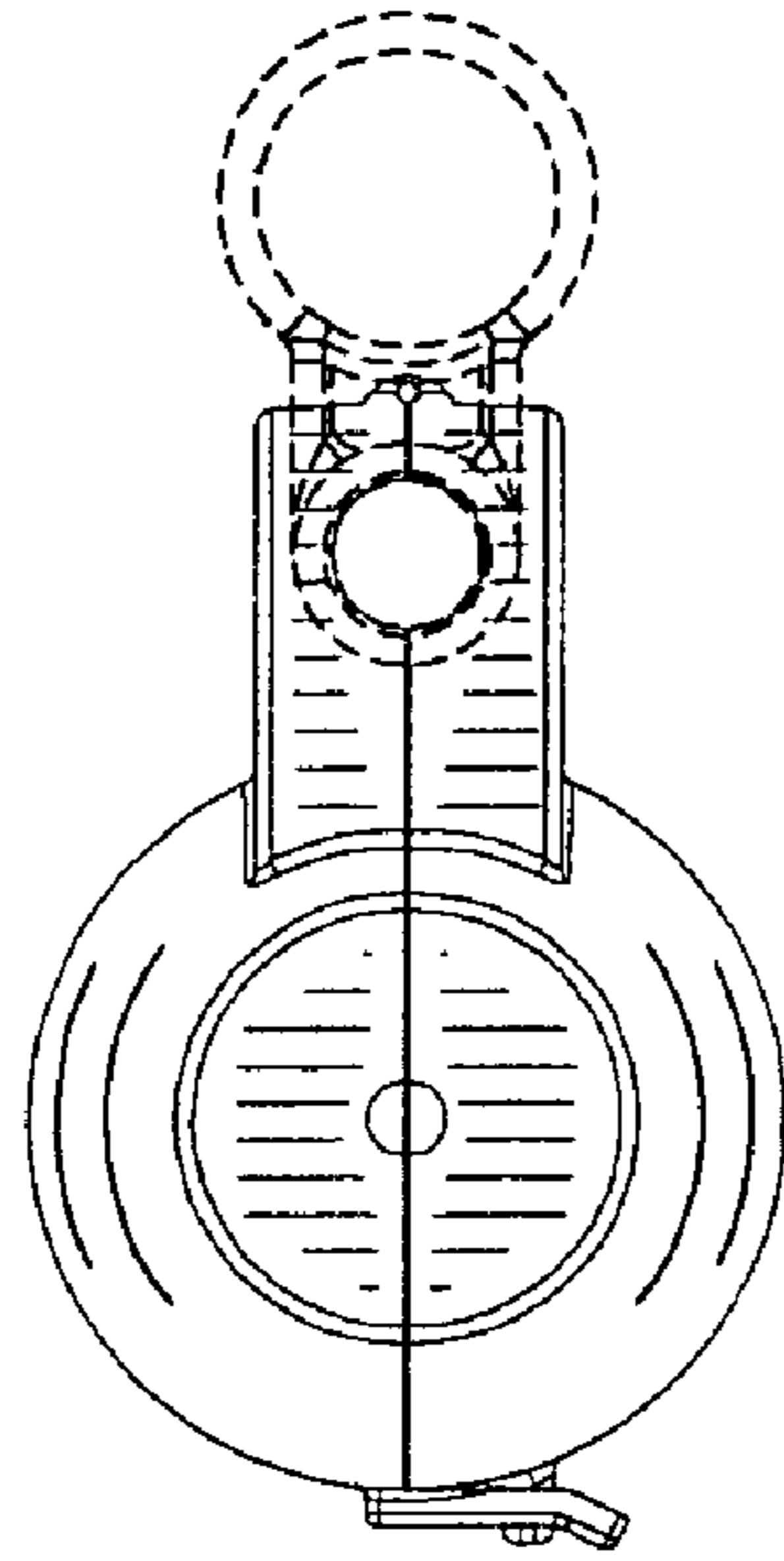


Fig. 7

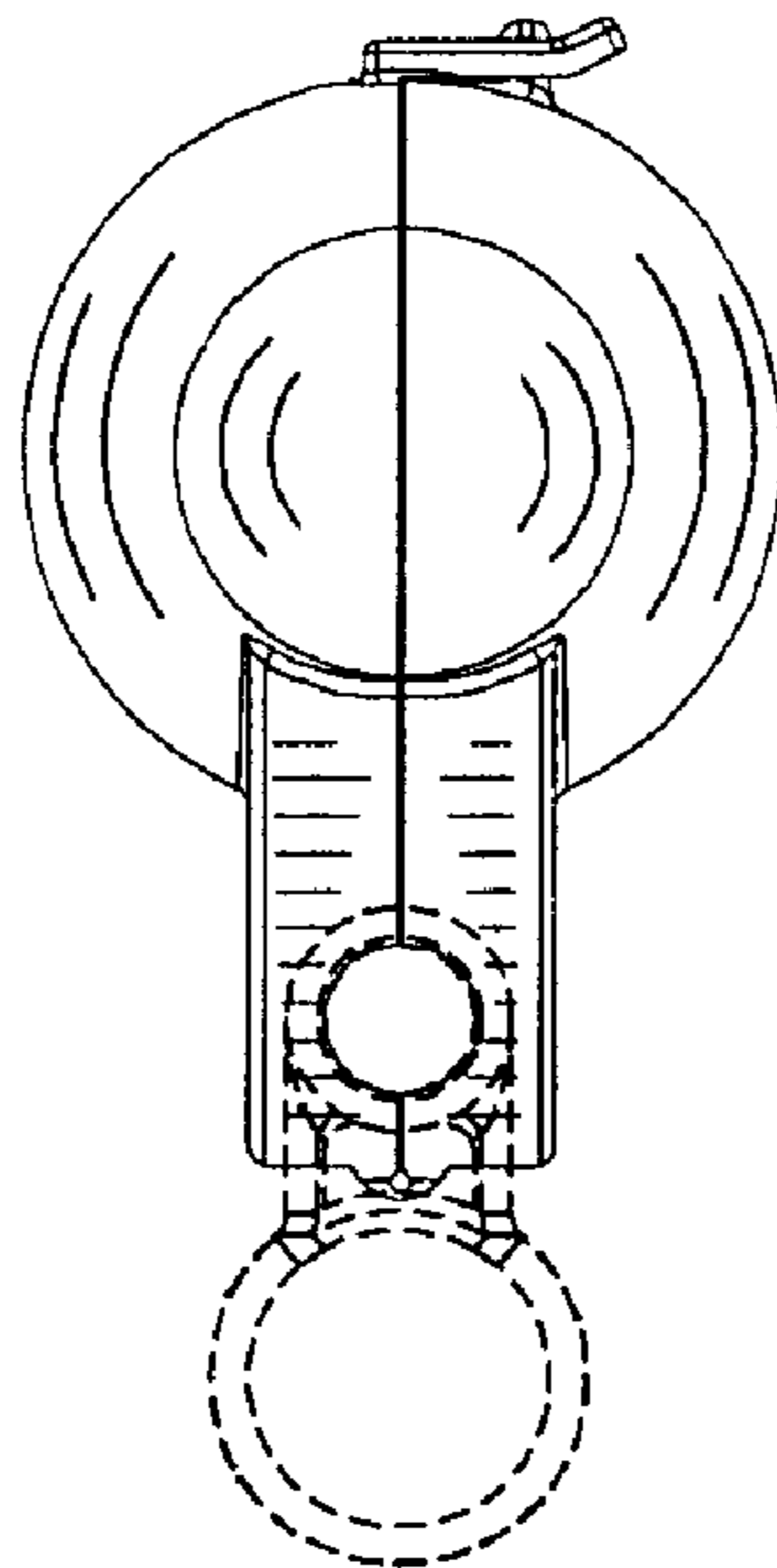


Fig. 8

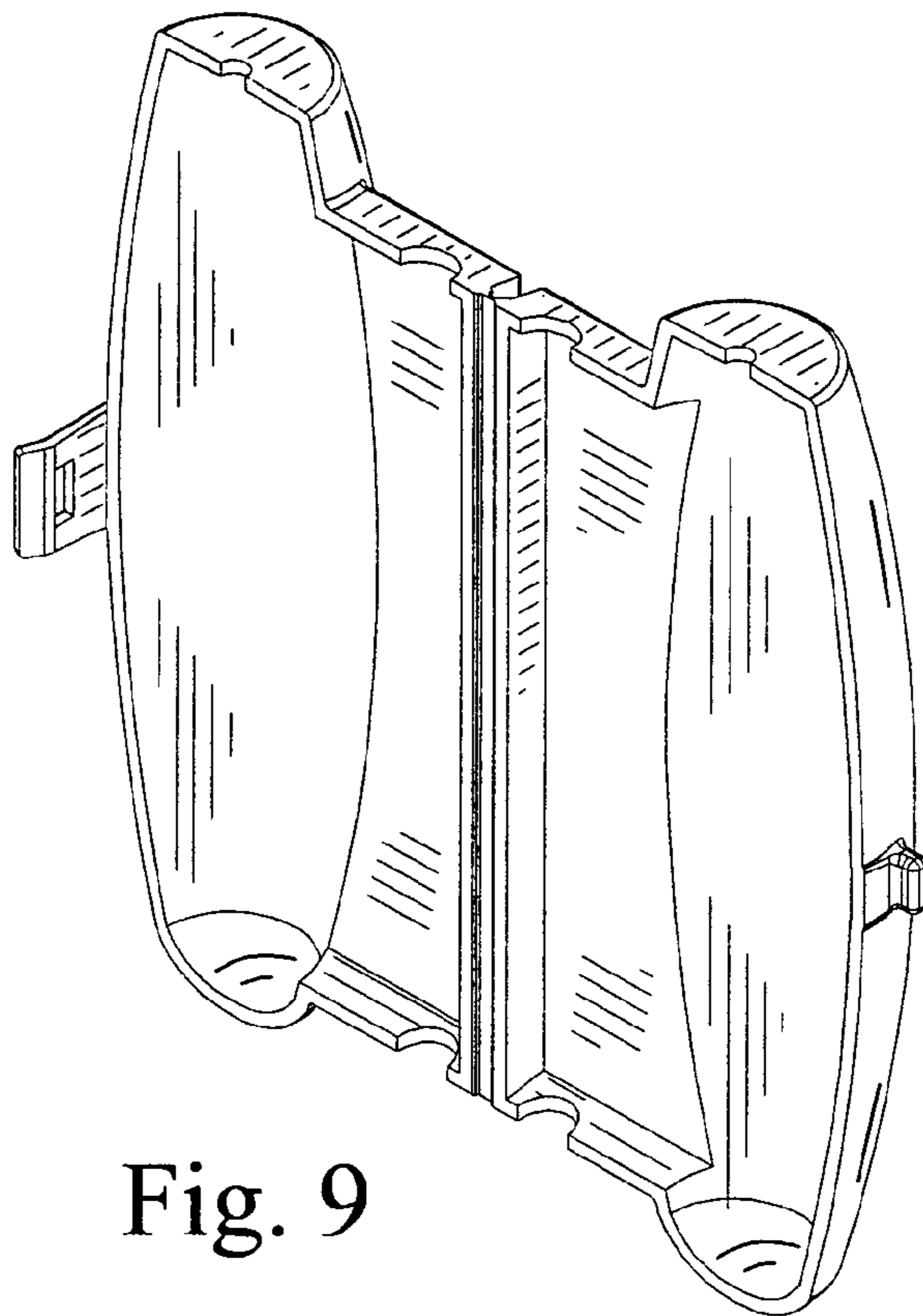


Fig. 9

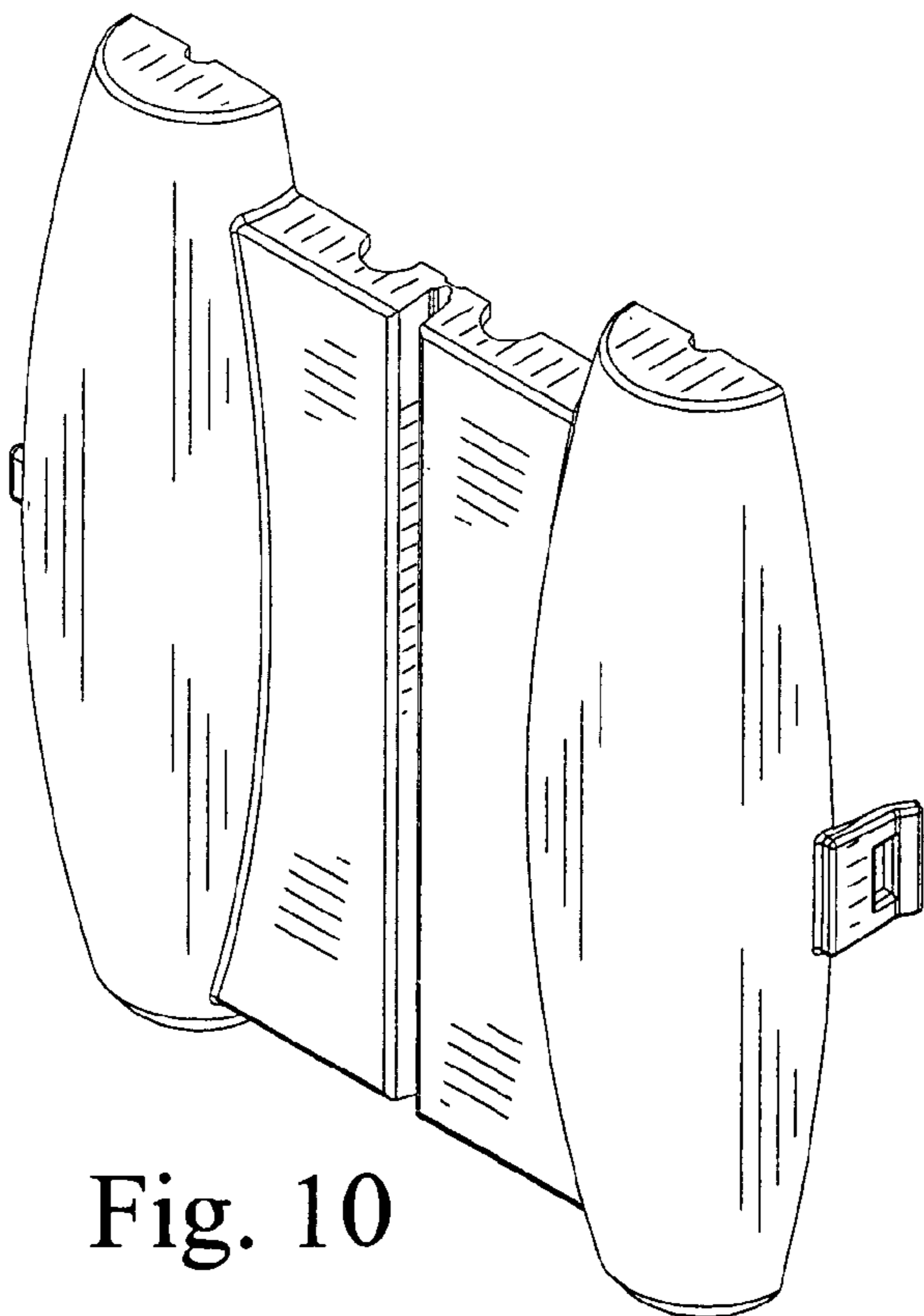


Fig. 10

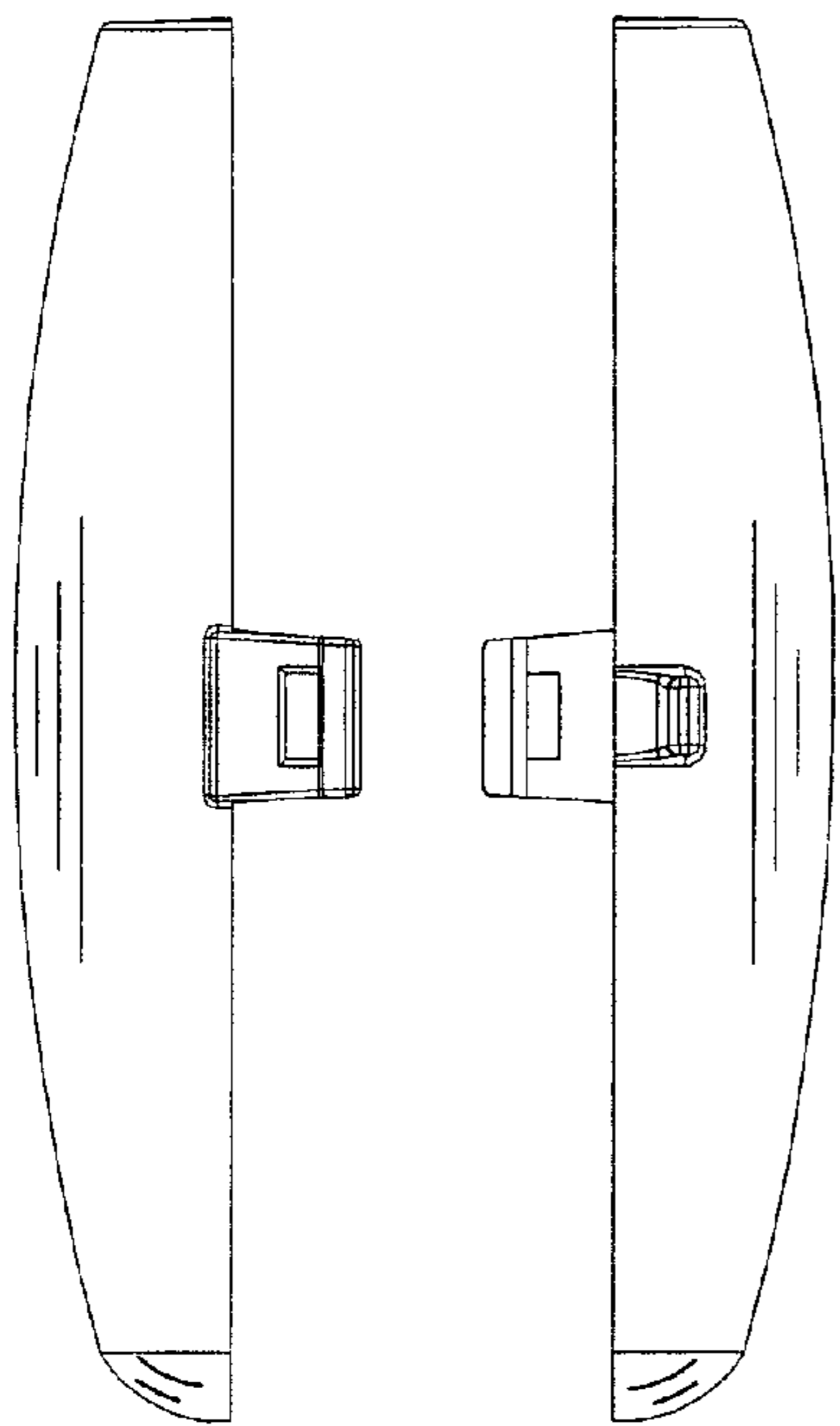


Fig. 11 Fig. 12

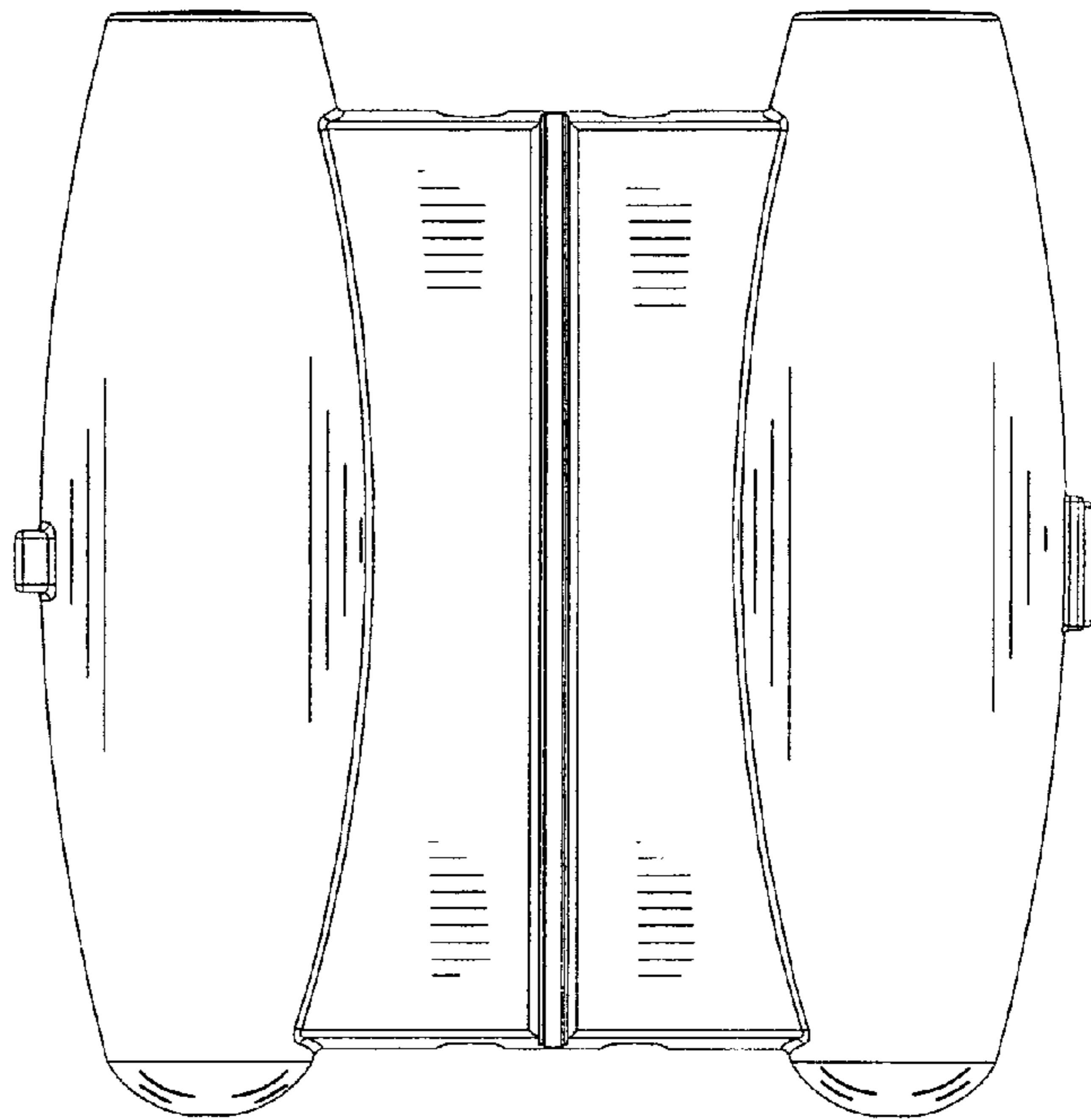


Fig. 13

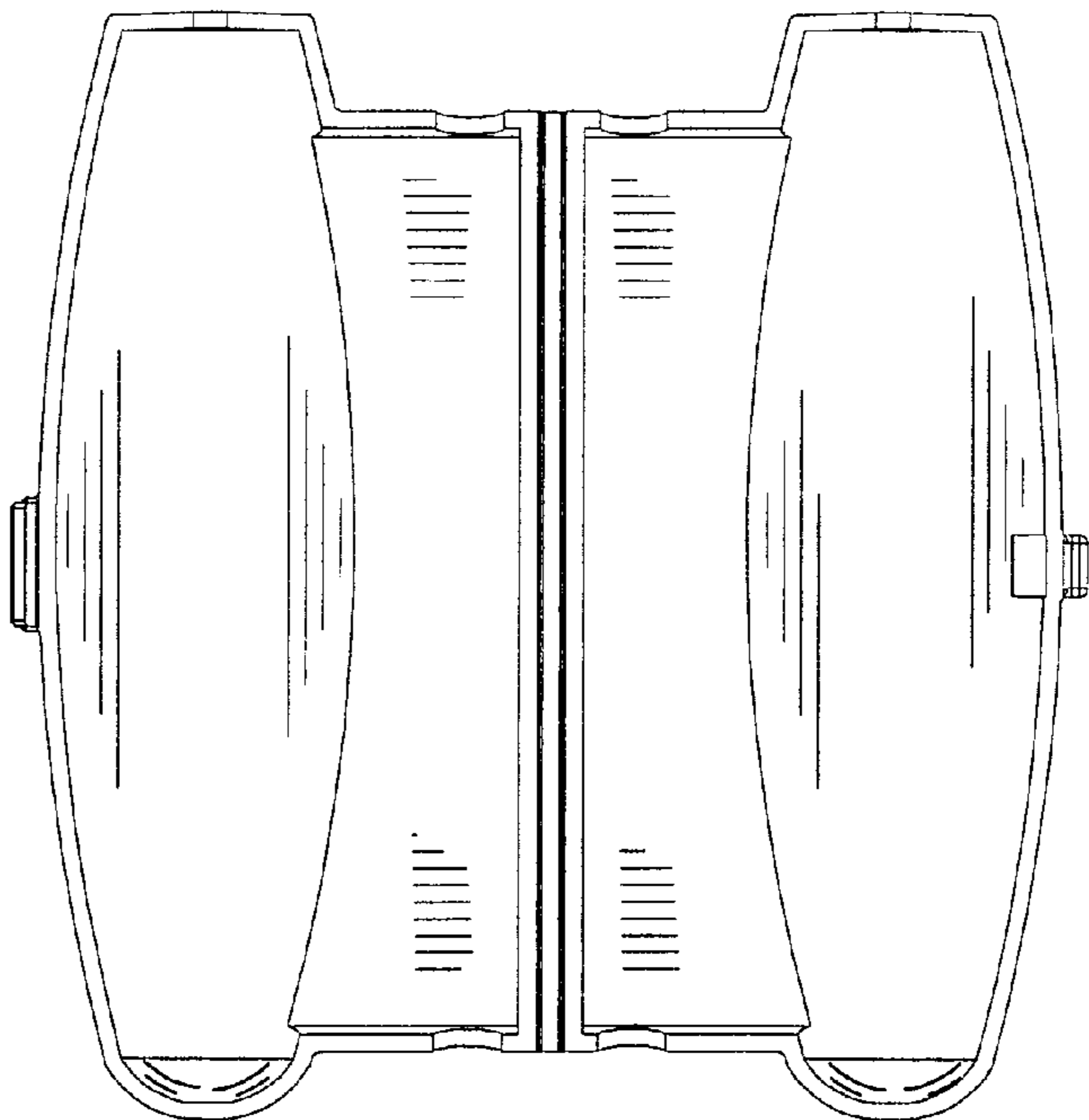


Fig. 14

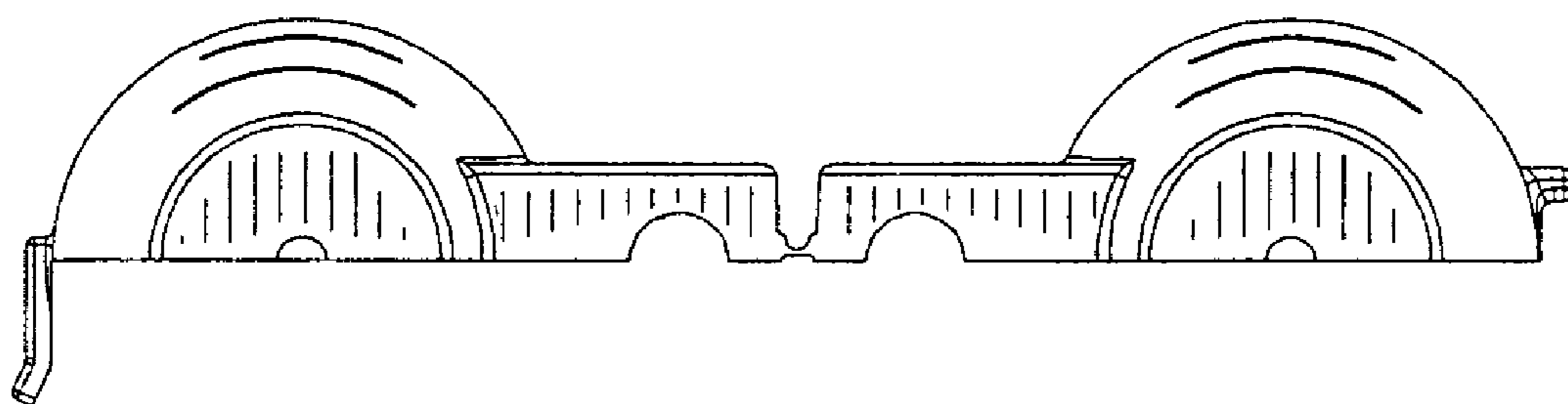


Fig. 15

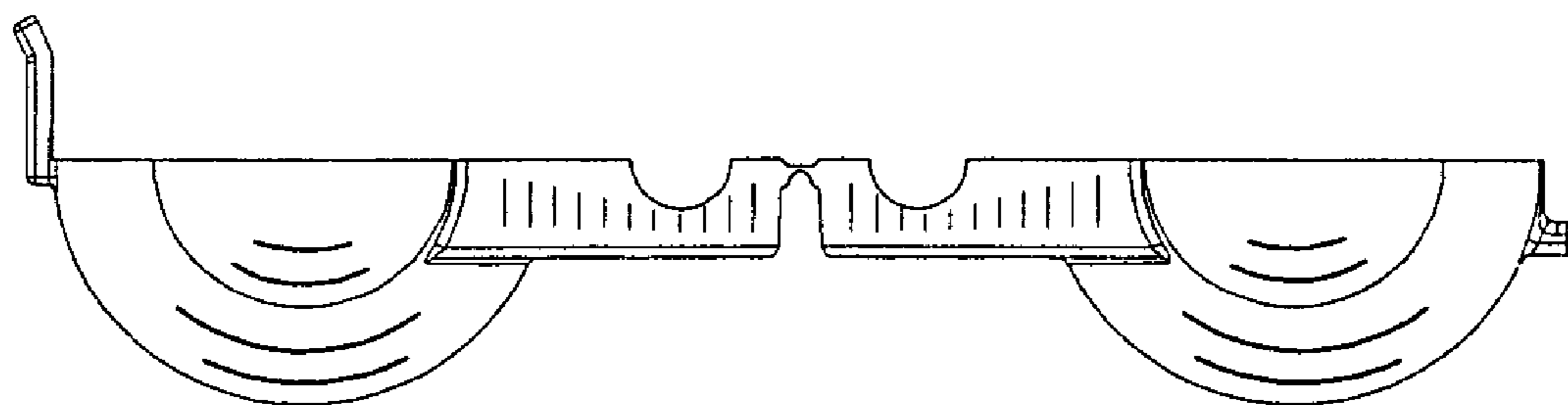


Fig. 16