



US00D586866S

(12) **United States Design Patent**
Hsu

(10) **Patent No.:** **US D586,866 S**
(45) **Date of Patent:** **** Feb. 17, 2009**

(54) **UPRIGHT SLOT CABINET**

(76) Inventor: **Tien Shu Hsu**, 5F-8, No. 210, Gungye
38 Rd, Shituen Chiu, Taichung City
(TW)

(**) Term: **14 Years**

(21) Appl. No.: **29/299,782**

(22) Filed: **Jan. 4, 2008**

(51) **LOC (9) Cl.** **21-03**

(52) **U.S. Cl.** **D21/370**

(58) **Field of Classification Search** D14/306;
D21/325, 329, 333, 369-370; 463/12, 16-17,
463/20, 25, 46-47

See application file for complete search history.

(56) **References Cited**

U.S. PATENT DOCUMENTS

D459,402 S *	6/2002	Wurz et al.	D21/369
D495,754 S *	9/2004	Wurz et al.	D21/370
D495,755 S *	9/2004	Wurz et al.	D21/370
D508,268 S *	8/2005	Hanchar et al.	D21/369
D554,708 S *	11/2007	Gutknecht et al.	D21/370
D573,201 S *	7/2008	Hashimoto et al.	D21/370
2005/0079908 A1 *	4/2005	Pacey	463/20

* cited by examiner

Primary Examiner—Sandra Morris

(74) *Attorney, Agent, or Firm*—Ming Chow; Sinorica, LLC

(57) **CLAIM**

I claim the ornamental design for a upright slot cabinet, as shown and described.

DESCRIPTION

FIG. 1 is a front perspective view of a upright slot cabinet showing my new design;

FIG. 2 is a front elevational view thereof;

FIG. 3 is a rear elevational view thereof;

FIG. 4 is a left side elevational view thereof;

FIG. 5 is a right side elevational view thereof;

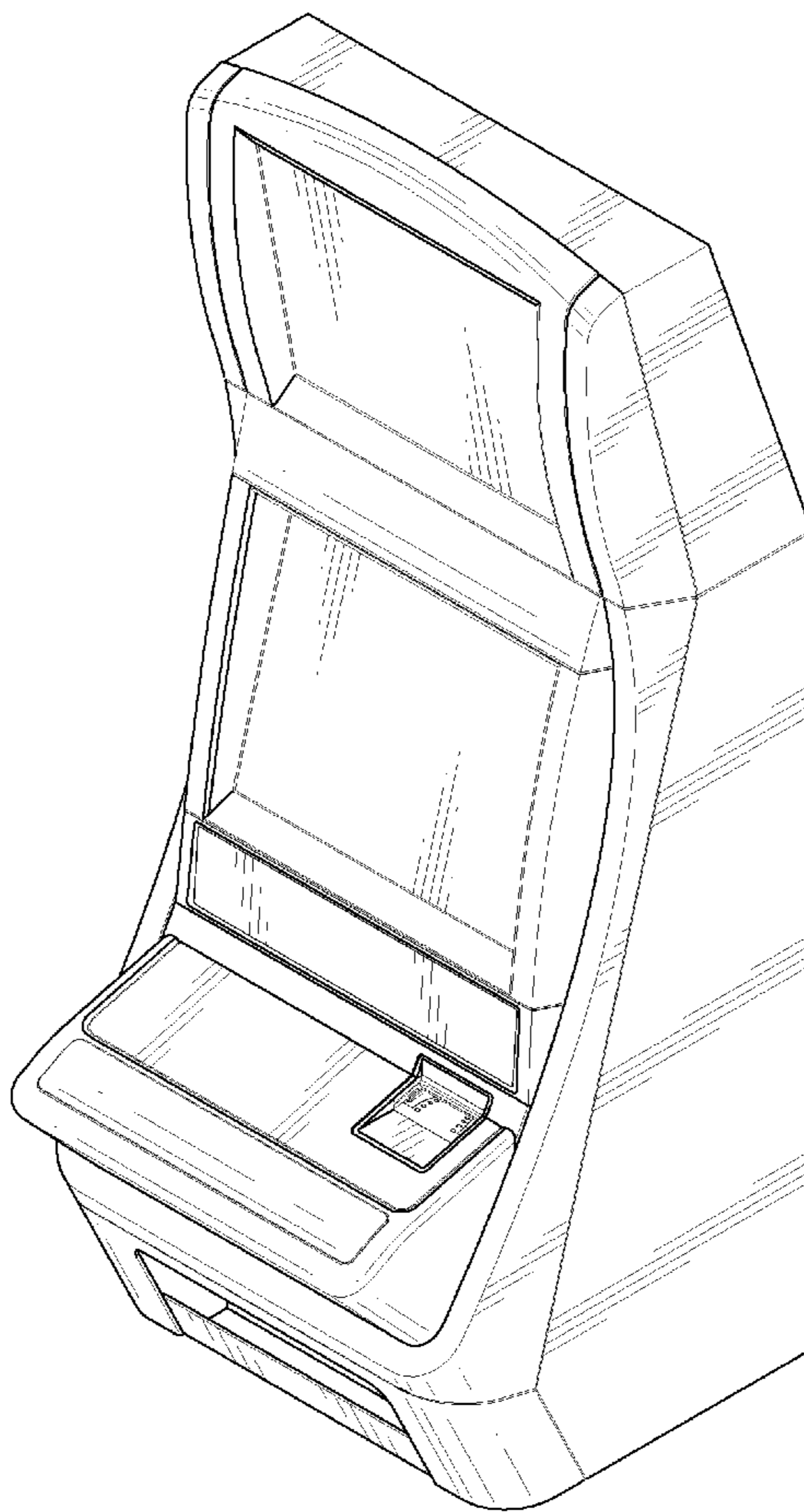
FIG. 6 is a top plan view thereof;

FIG. 7 is a bottom plan view thereof; and,

FIG. 8 is a front end view of the upright slot cabinet in accordance with my design, shown in its environment thereof.

The broken lines in the views show environmental features, which are for illustrative purposes only and form no part of the claimed design.

1 Claim, 7 Drawing Sheets



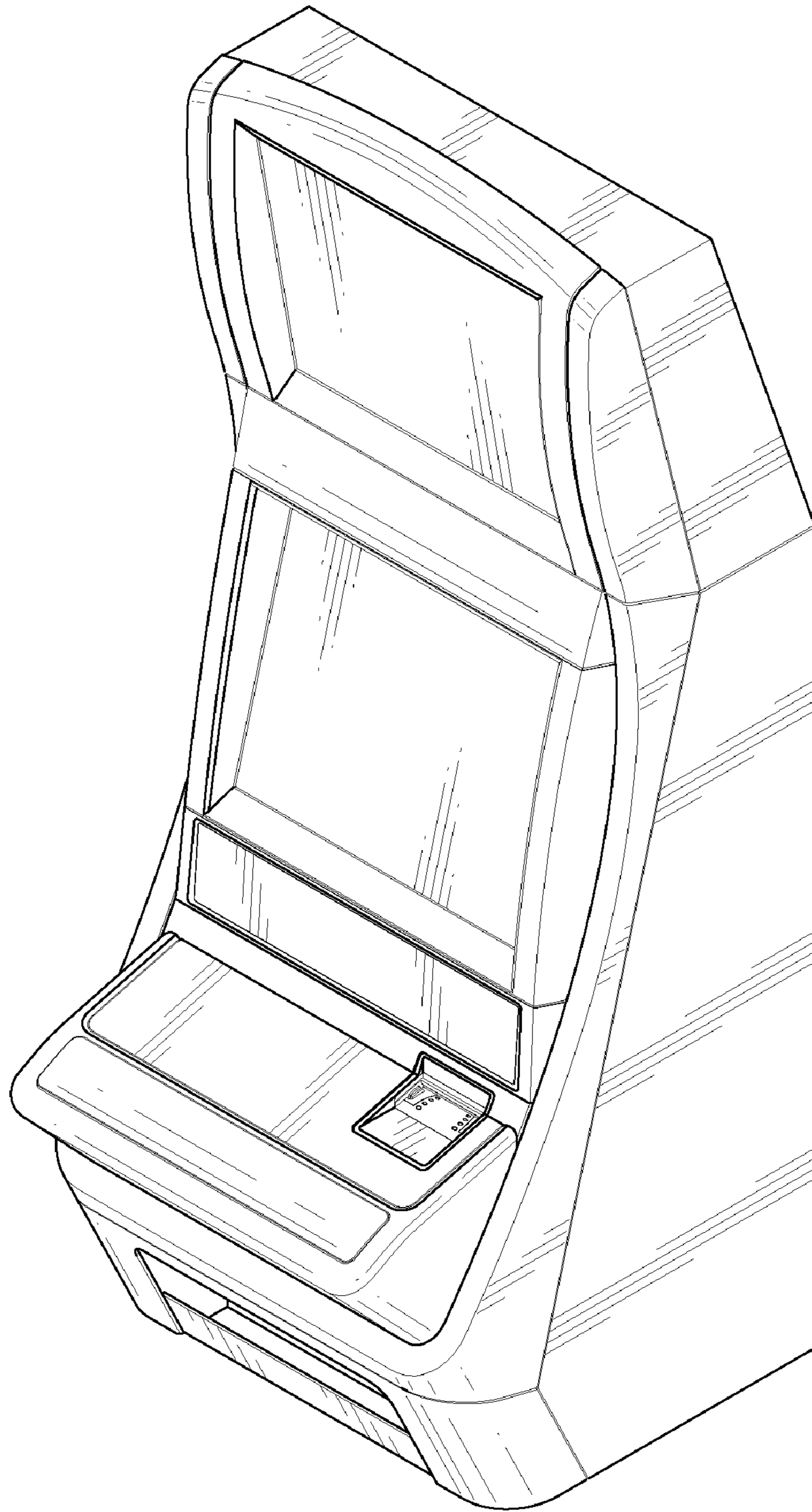


FIG. 1

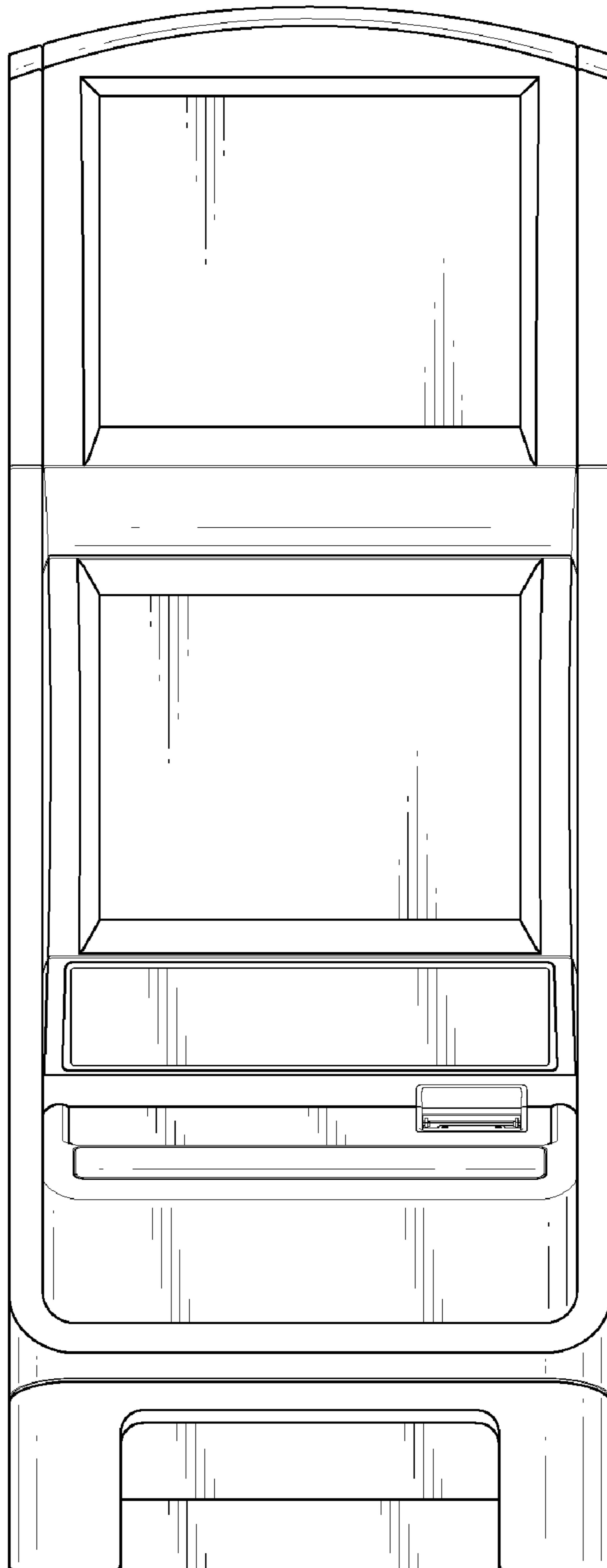


FIG. 2

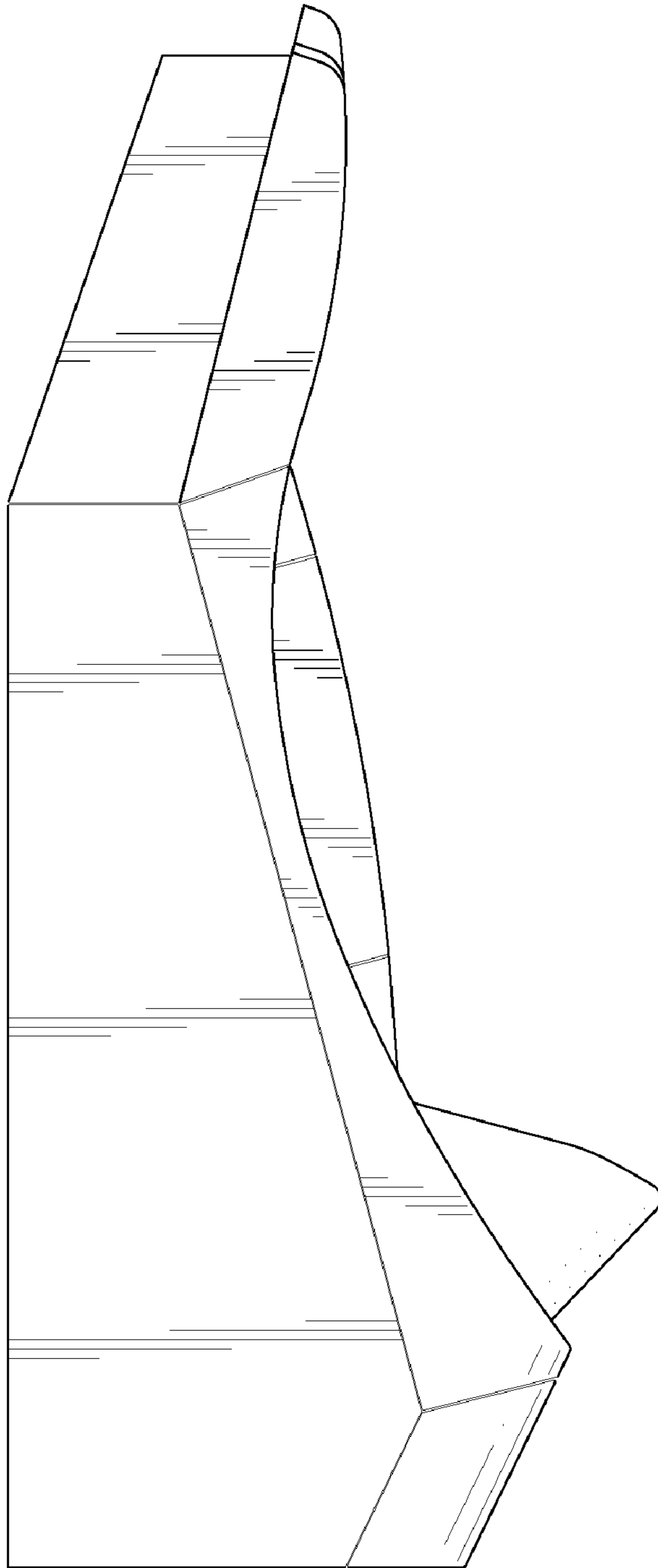


FIG. 4

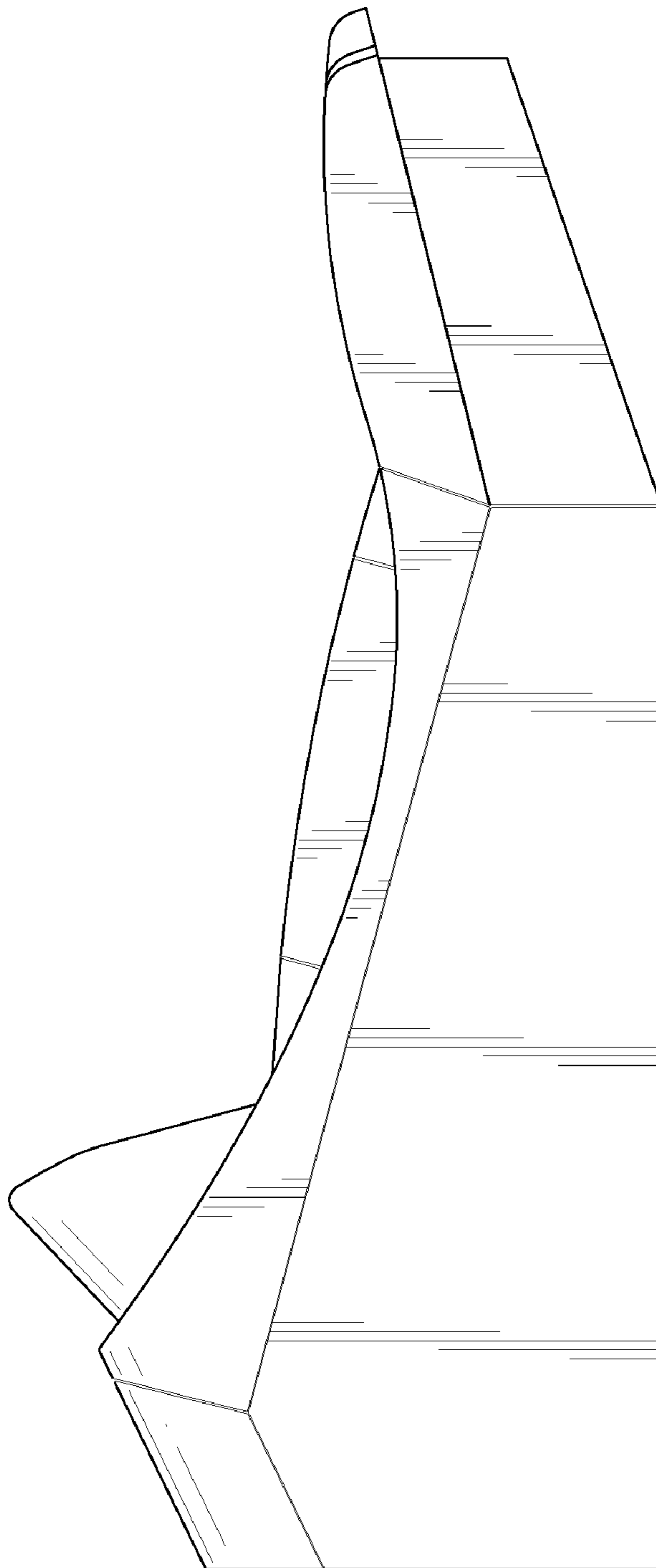


FIG. 5

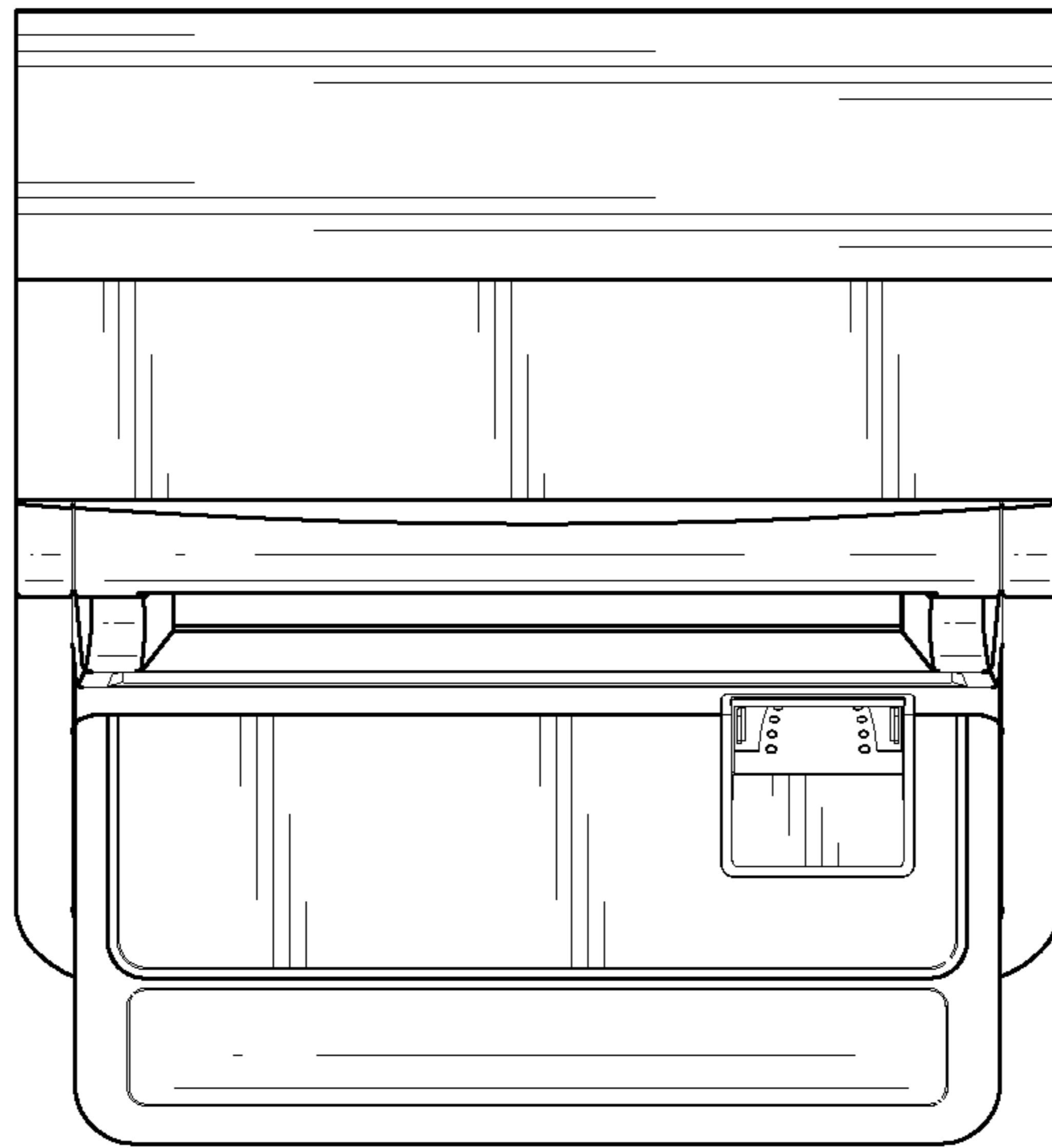


FIG. 6

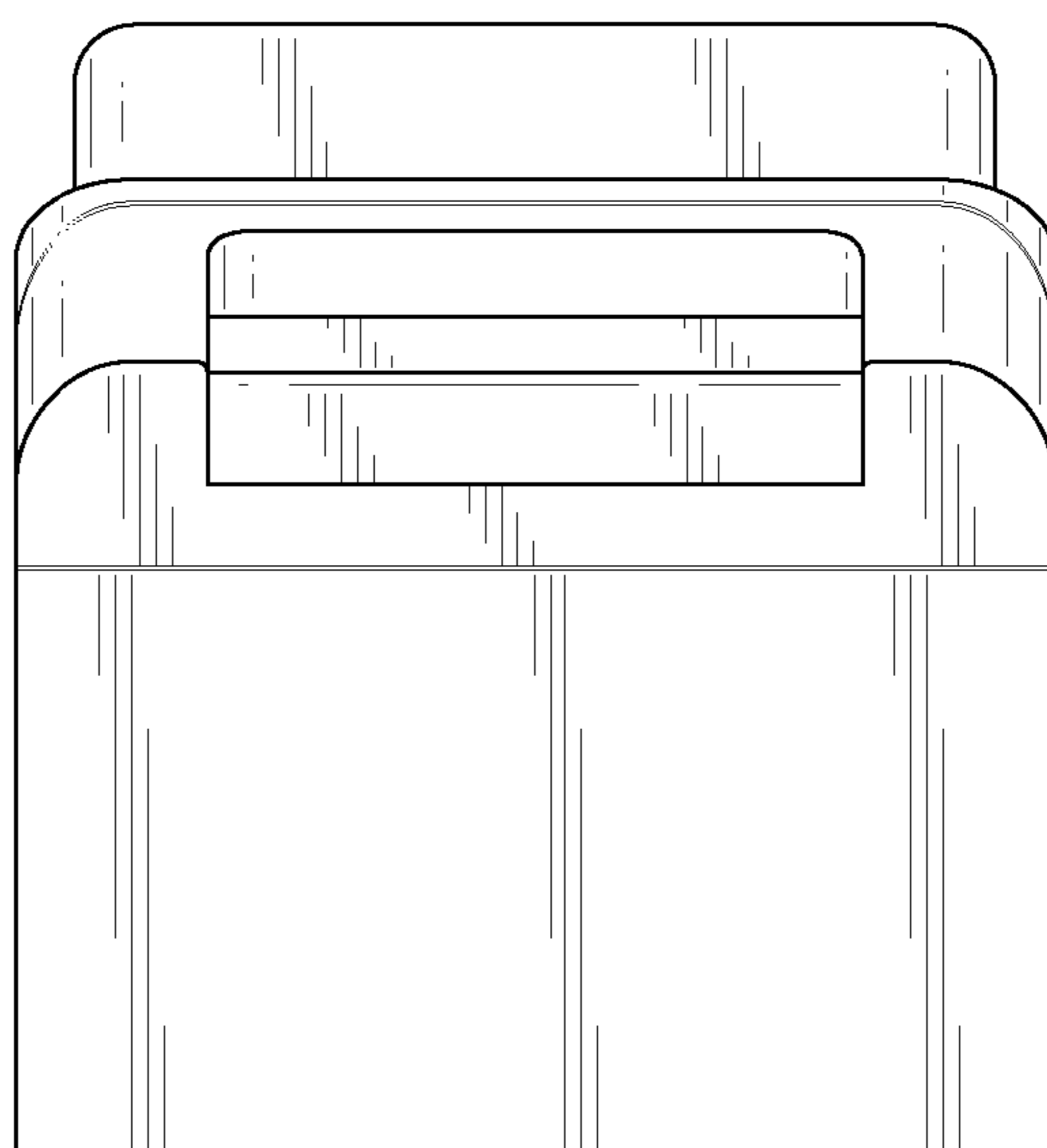


FIG. 7

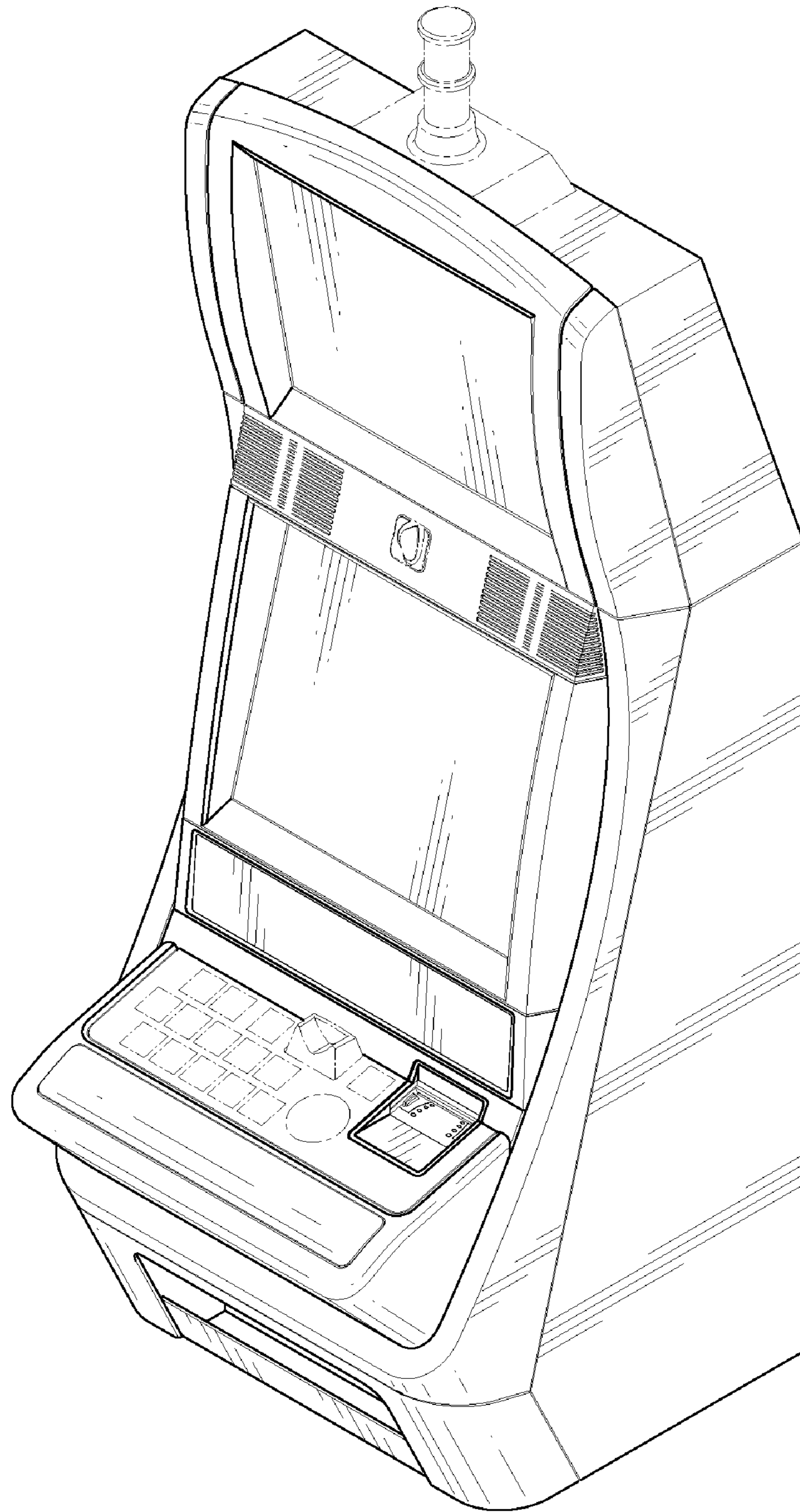


FIG. 8