



US00D586864S

(12) **United States Design Patent**  
**Kamei**

(10) **Patent No.:** **US D586,864 S**

(45) **Date of Patent:** **\*\* Feb. 17, 2009**

(54) **GAME CONTROLLER ATTACHMENT**

(75) Inventor: **Michiyuki Kamei**, Tokyo (JP)

(73) Assignee: **Kabushiki Kaisha Taito**, Tokyo (JP)

(\*\*) Term: **14 Years**

(21) Appl. No.: **29/308,238**

(22) Filed: **Jun. 4, 2008**

(51) **LOC (9) Cl.** ..... **21-01**

(52) **U.S. Cl.** ..... **D21/332**

(58) **Field of Classification Search** ..... D21/324–333;  
D14/400, 401, 432–435, 496; 273/148 B;  
463/1, 29, 30, 43–47; 369/291, 292, 77.2,  
369/75.1; 345/156, 161

See application file for complete search history.

(56) **References Cited**

**U.S. PATENT DOCUMENTS**

5,556,108	A *	9/1996	Nagano et al.	463/45
5,926,438	A *	7/1999	Saito	367/111
D427,245	S *	6/2000	Nagata et al.	D21/332
6,075,709	A *	6/2000	Yang	361/756
6,238,291	B1 *	5/2001	Fujimoto et al.	463/44
6,283,079	B1 *	9/2001	Cumming et al.	123/192.1
D478,127	S *	8/2003	Nishikawa	D21/332
D480,764	S *	10/2003	Inoue et al.	D21/332
D536,382	S *	2/2007	Sugino et al.	D21/332
D539,355	S *	3/2007	Fujita	D21/332

D546,896	S *	7/2007	Ibuki	D21/332
D550,775	S *	9/2007	Fujita	D21/332
D577,076	S *	9/2008	Green	D21/333

\* cited by examiner

*Primary Examiner*—Prabhakar Deshmukh

(74) *Attorney, Agent, or Firm*—Marshall A. Burmeister

(57) **CLAIM**

The ornamental design for a game controller attachment, as shown and described.

**DESCRIPTION**

FIG. 1 is a front, top and right side perspective view of a game controller attachment showing my new design;

FIG. 2 is a front view thereof;

FIG. 3 is a rear view thereof;

FIG. 4 is a right side view thereof, the left side being a mirror image hereof;

FIG. 5 is a plan view thereof;

FIG. 6 is a bottom view thereof;

FIG. 7 is a sectional view taken along line 7—7 of FIG. 2, internal elements being omitted; and,

FIG. 8 is a perspective view thereof, showing the game controller attachment in its environmental use, the broken lines showing of the electronic game apparatus being for illustrative purposes only and forming no part of the claimed design.

**1 Claim, 4 Drawing Sheets**

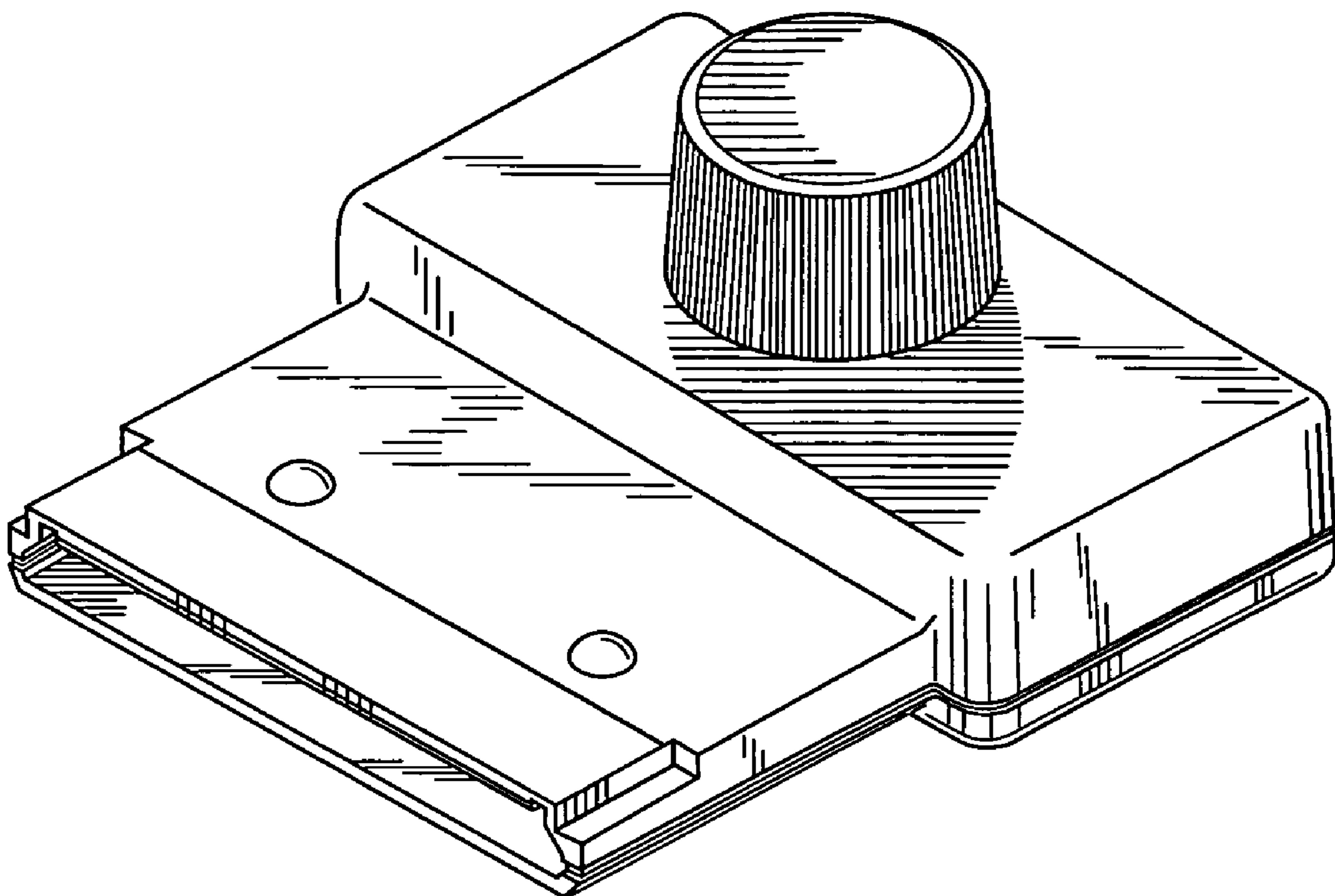


Fig. 1

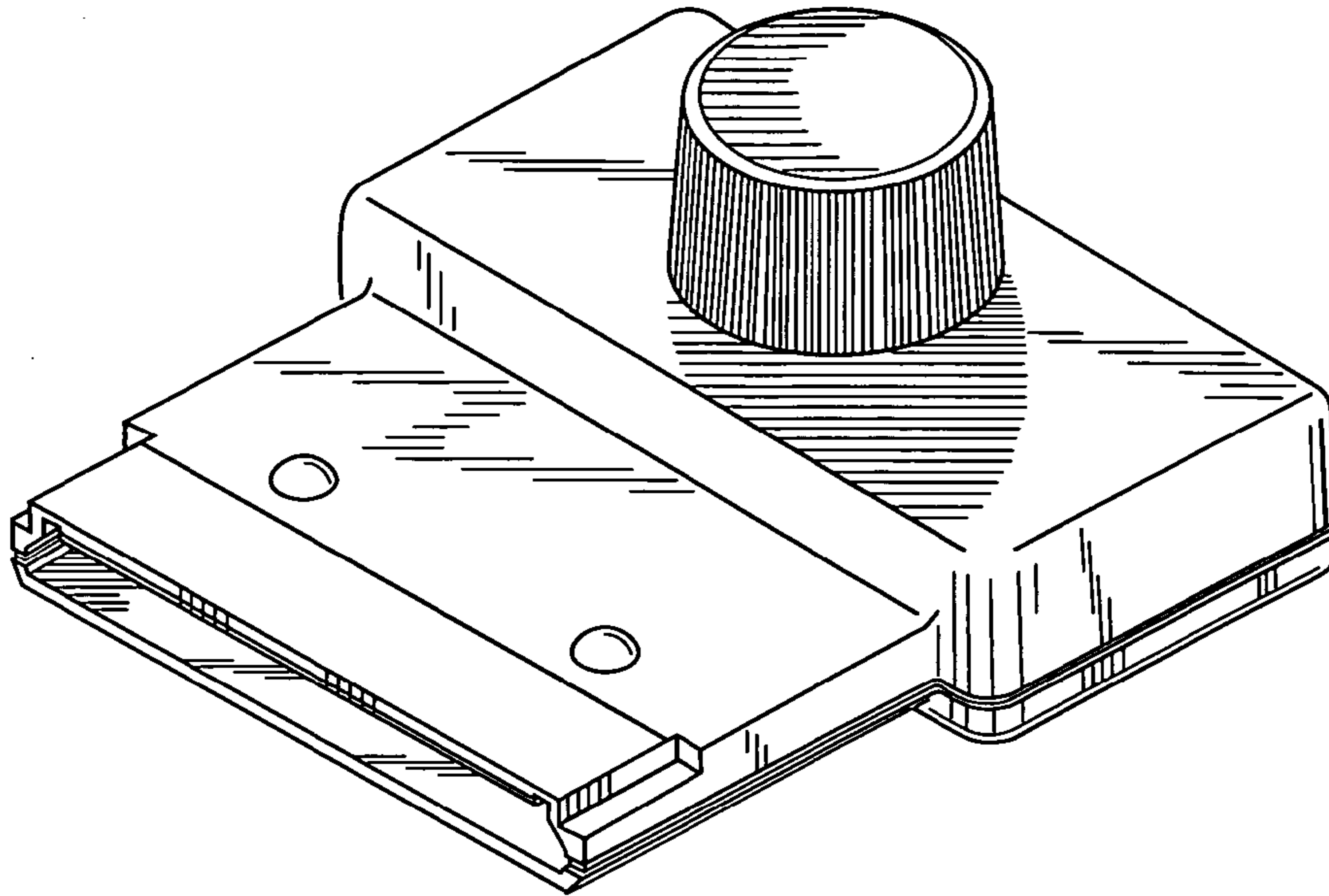
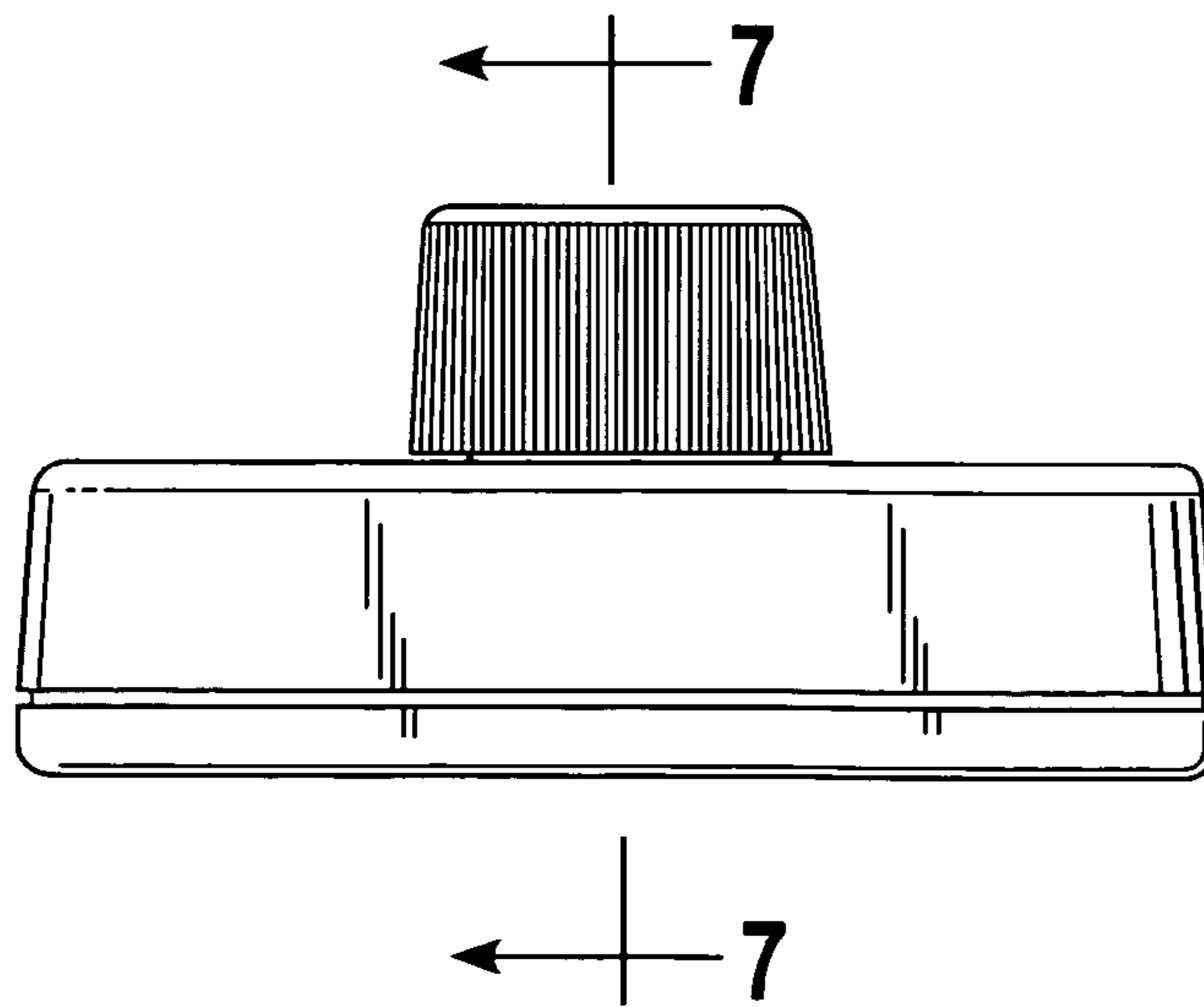
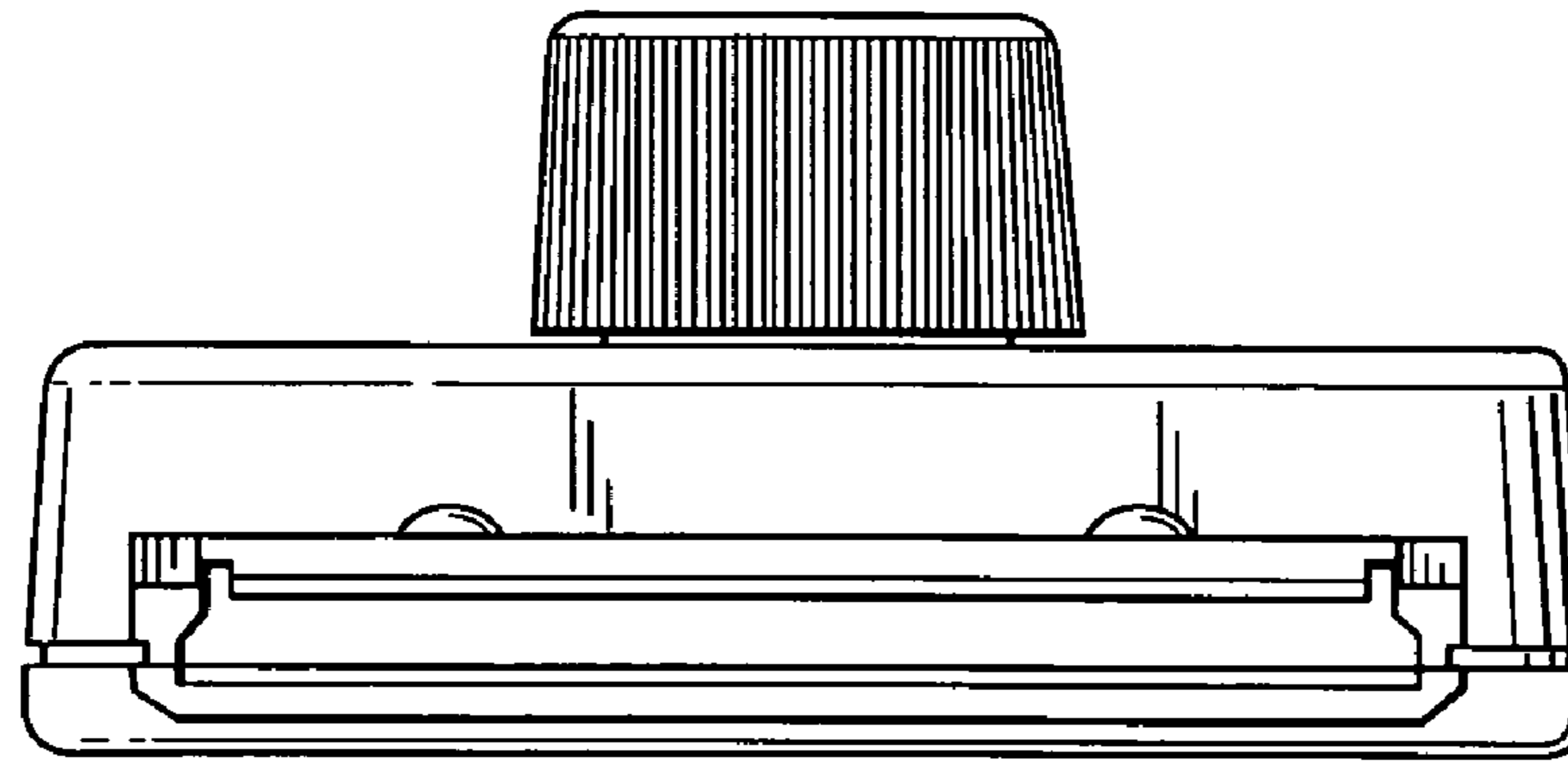


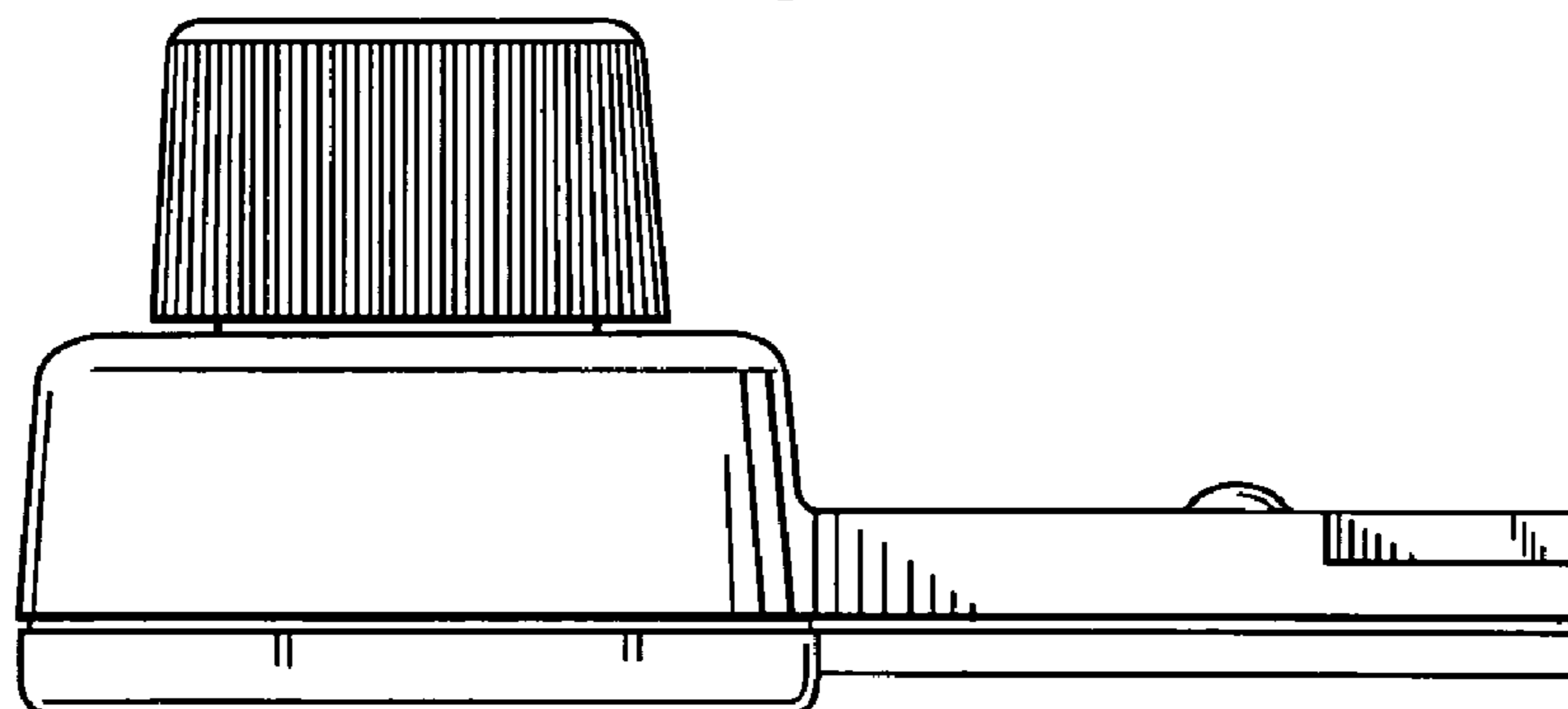
Fig. 2



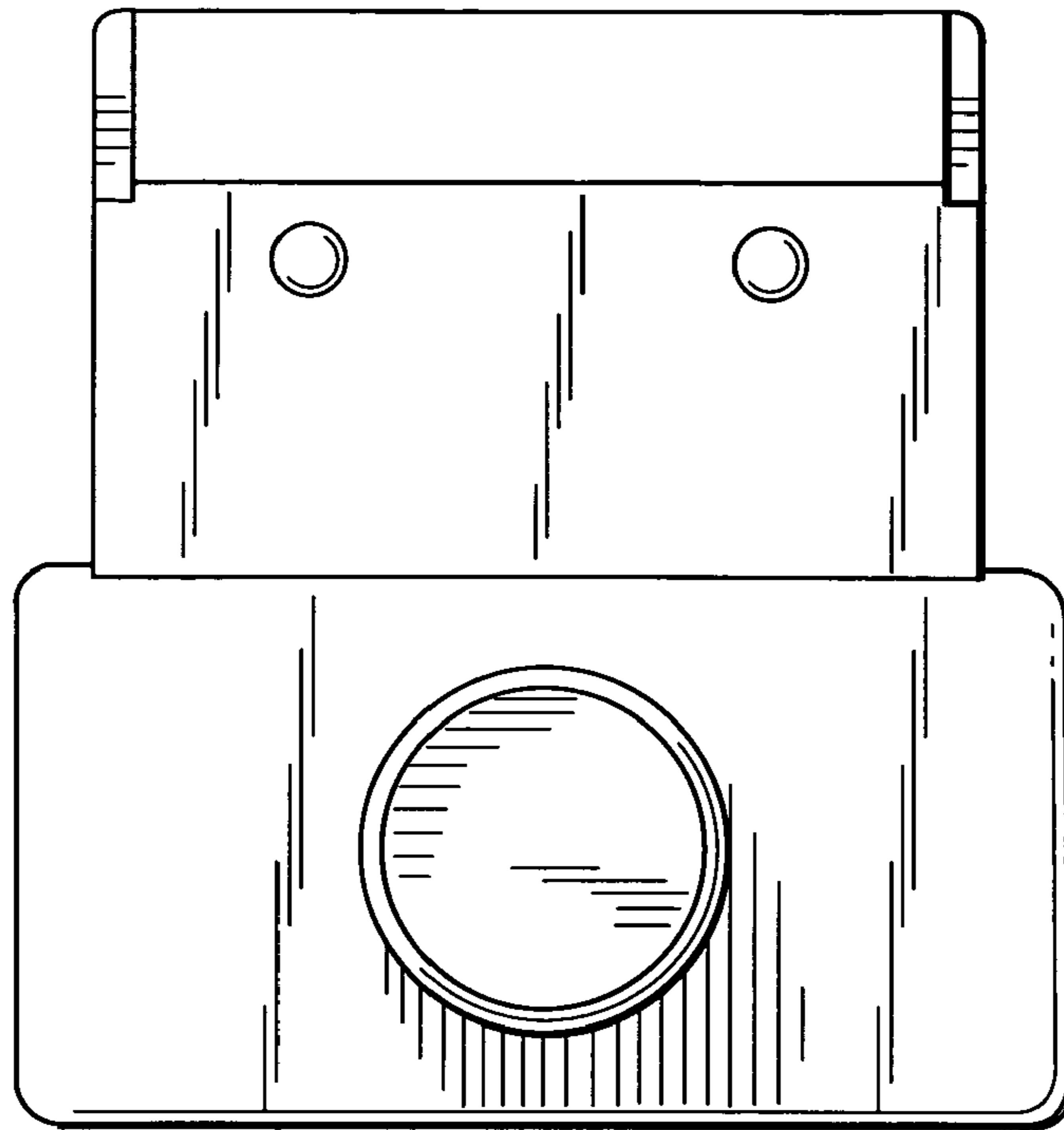
**Fig. 3**



**Fig. 4**



**Fig. 5**



**Fig. 6**

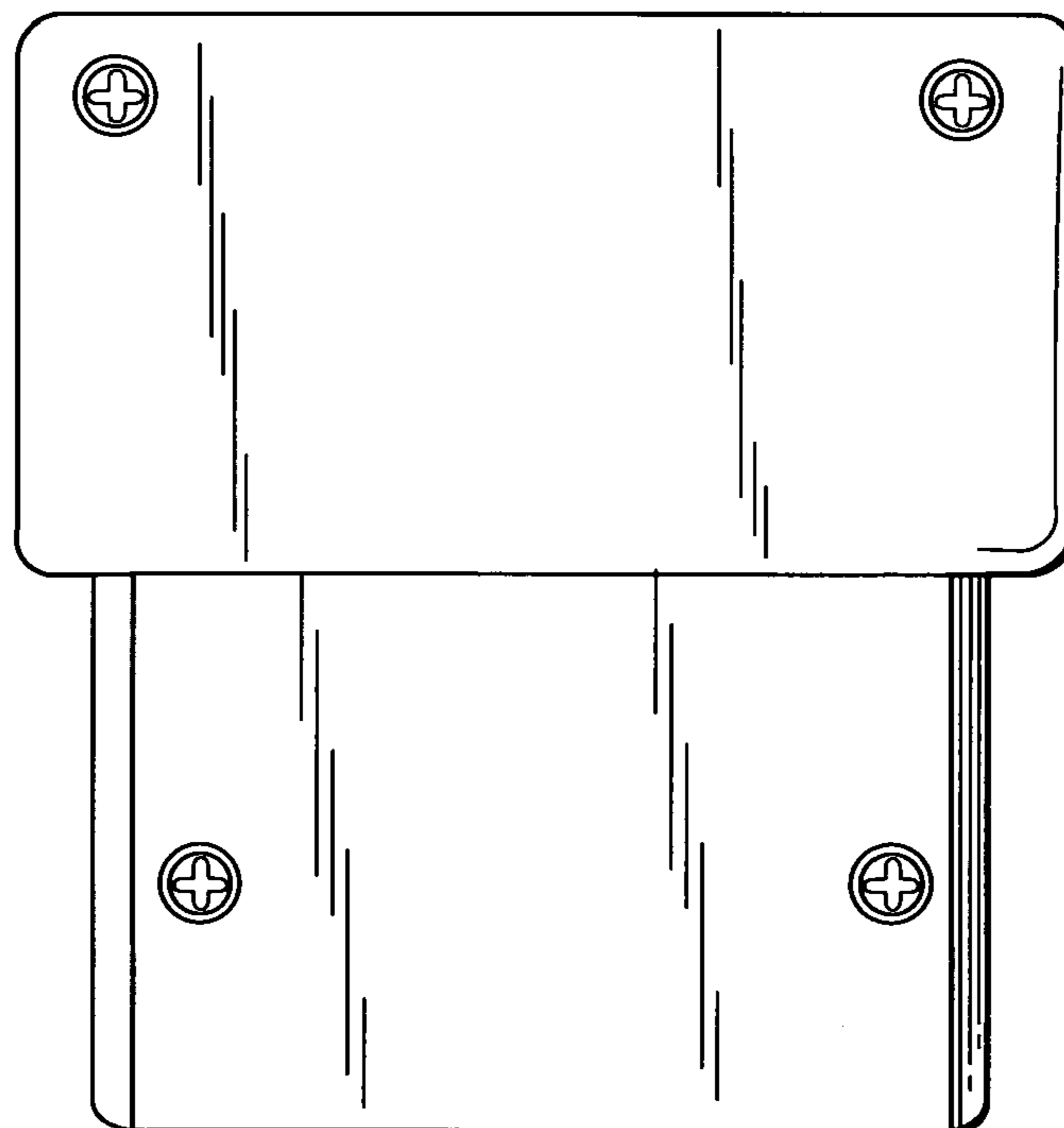


Fig. 7

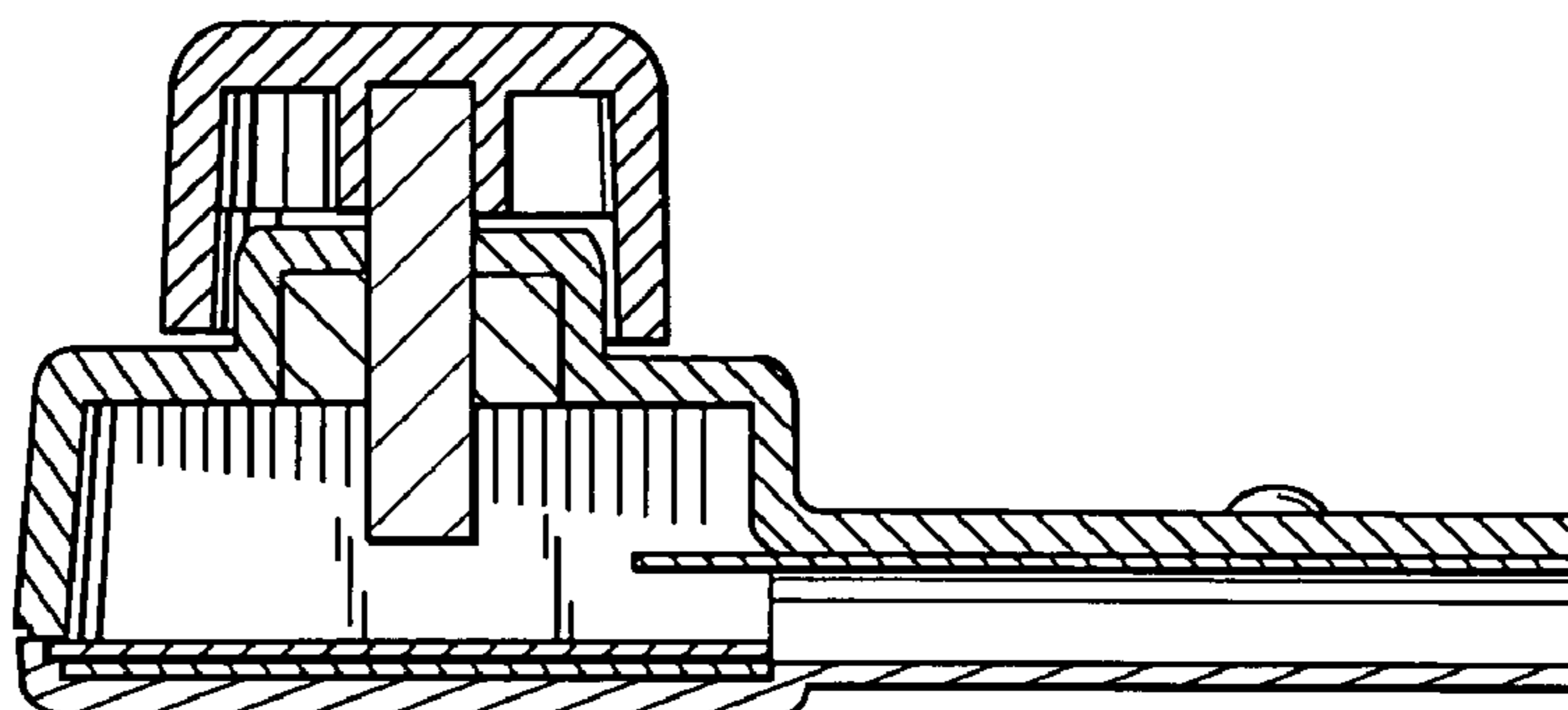


Fig. 8

