



US00D586863S

(12) **United States Design Patent**  
**Kamei**

(10) **Patent No.:** **US D586,863 S**

(45) **Date of Patent:** **\*\* Feb. 17, 2009**

(54) **ASSEMBLY FOR A GAME CONTROLLER ATTACHMENT**

(57) **CLAIM**

(75) Inventor: **Michiyuki Kamei**, Tokyo (JP)

The ornamental design for a game controller attachment, as shown and described.

(73) Assignee: **Kabushiki Kaisha Taito**, Tokyo (JP)

**DESCRIPTION**

(\*\*) Term: **14 Years**

(21) Appl. No.: **29/308,216**

(22) Filed: **Jun. 4, 2008**

(51) **LOC (9) Cl.** ..... **21-01**

(52) **U.S. Cl.** ..... **D21/332**

(58) **Field of Classification Search** ..... D21/324–333;  
D14/400, 401, 432–435, 496; 273/148 B;  
463/1, 29, 30, 43–47; 369/291, 292, 77.2,  
369/75.1; 345/156, 161

See application file for complete search history.

FIG. 1 is a front, top and right side perspective view of an assembly for a game controller attachment showing my new design, the broken line showing of a knob being for illustrative purposes only and forming no part of the claimed design;

FIG. 2 is a front view thereof, the broken line showing of a knob being for illustrative purposes only and forming no part of the claimed design;

FIG. 3 is a rear view thereof, the broken line showing of a knob being for illustrative purposes only and forming no part of the claimed design;

FIG. 4 is a right side view thereof, the left side being a mirror image hereof; the broken line showing of a knob being for illustrative purposes only and forming no part of the claimed design;

(56) **References Cited**

**U.S. PATENT DOCUMENTS**

5,556,108	A *	9/1996	Nagano et al.	463/45
5,926,438	A *	7/1999	Saito	367/111
D427,245	S *	6/2000	Nagata et al.	D21/332
6,075,709	A *	6/2000	Yang	361/756
6,238,291	B1 *	5/2001	Fujimoto et al.	463/44
6,283,079	B1 *	9/2001	Cumming et al.	123/192.1
D478,127	S *	8/2003	Nishikawa	D21/332
D480,764	S *	10/2003	Inoue et al.	D21/332
D536,382	S *	2/2007	Sugino et al.	D21/332
D539,355	S *	3/2007	Fujita	D21/332
D546,896	S *	7/2007	Ibuki	D21/332
D550,775	S *	9/2007	Fujita	D21/332
D577,076	S *	9/2008	Green	D21/332

FIG. 5 is a top plan view thereof, the broken line showing of a knob being for illustrative purposes only and forming no part of the claimed design;

FIG. 6 is a bottom plan view thereof;

FIG. 7 is a sectional view taken along line 7—7 of FIG. 2, internal elements being omitted, the broken line showing of a knob being for illustrative purpose only and forming no part of the claimed design;

FIG. 8 is a sectional view taken along line 8—8 of FIG. 4; and,

FIG. 9 is a perspective view thereof, showing the assembly for a game controller attachment in its environmental use, the broken lines showing of the knob and electronic game apparatus being for illustrative purposes only and forming no part of the claimed design.

\* cited by examiner

*Primary Examiner*—Prabhakar Deshmukh

(74) *Attorney, Agent, or Firm*—Marshall A. Burmeister

**1 Claim, 4 Drawing Sheets**

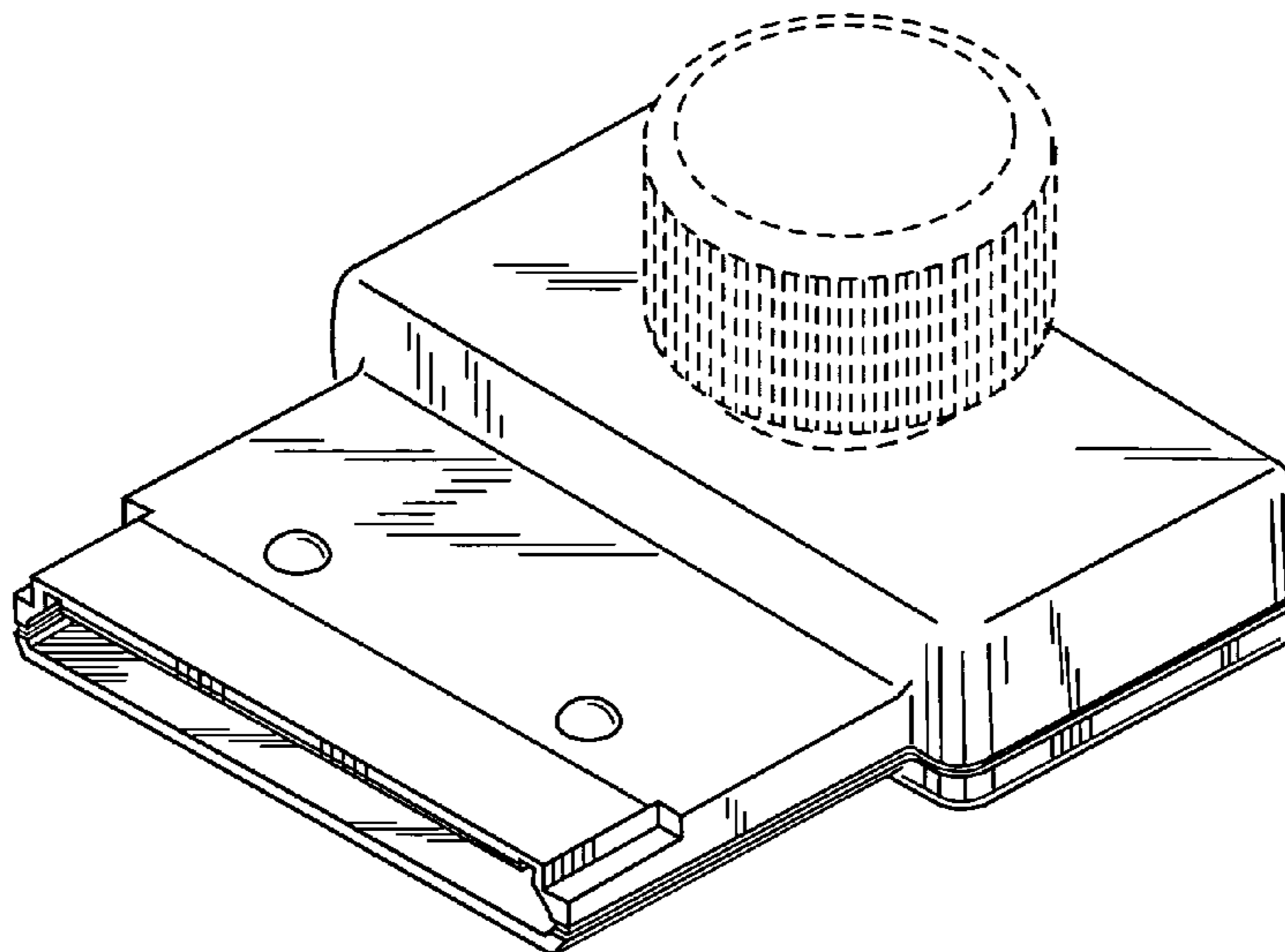


Fig. 1

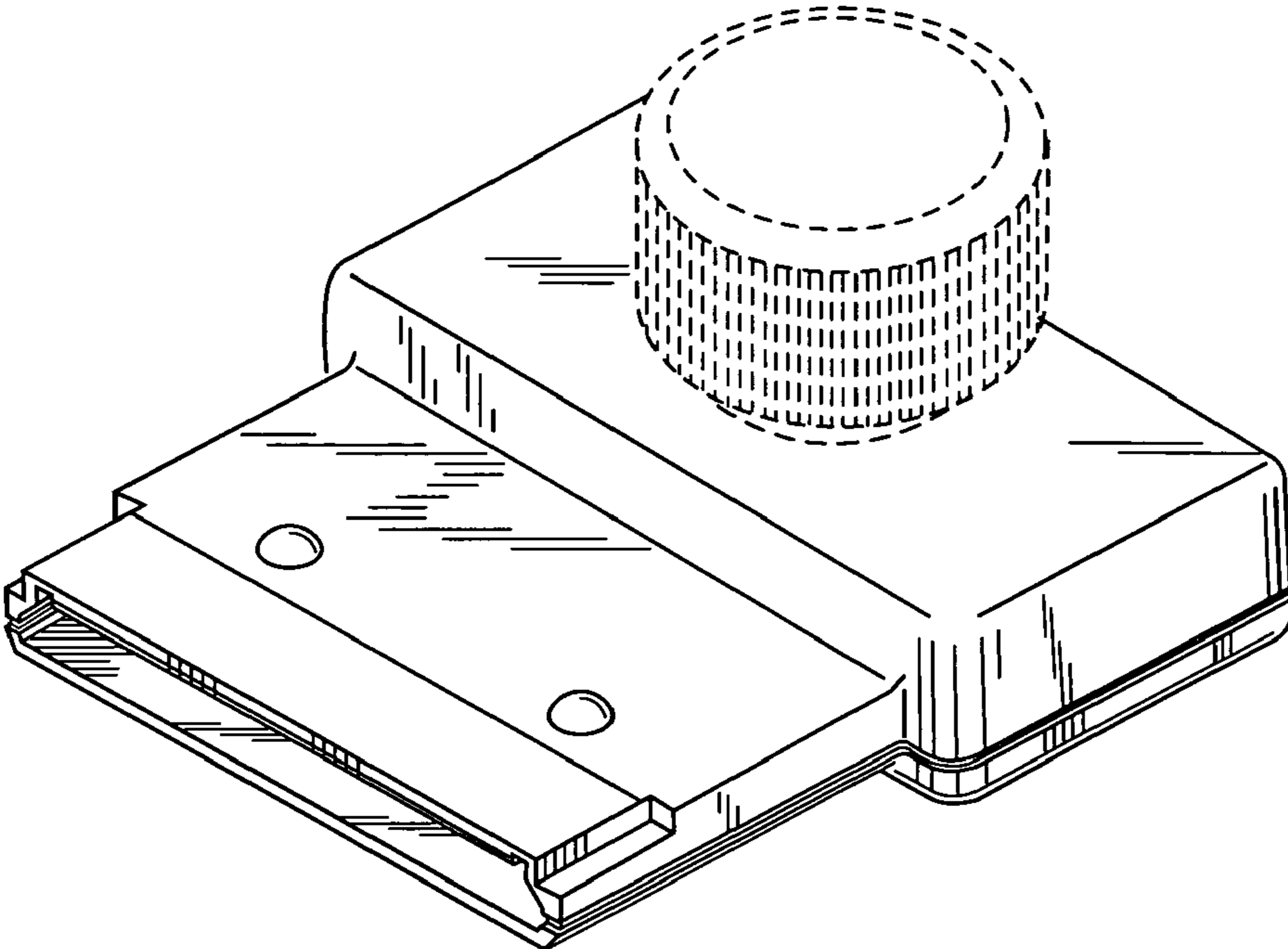


Fig. 2

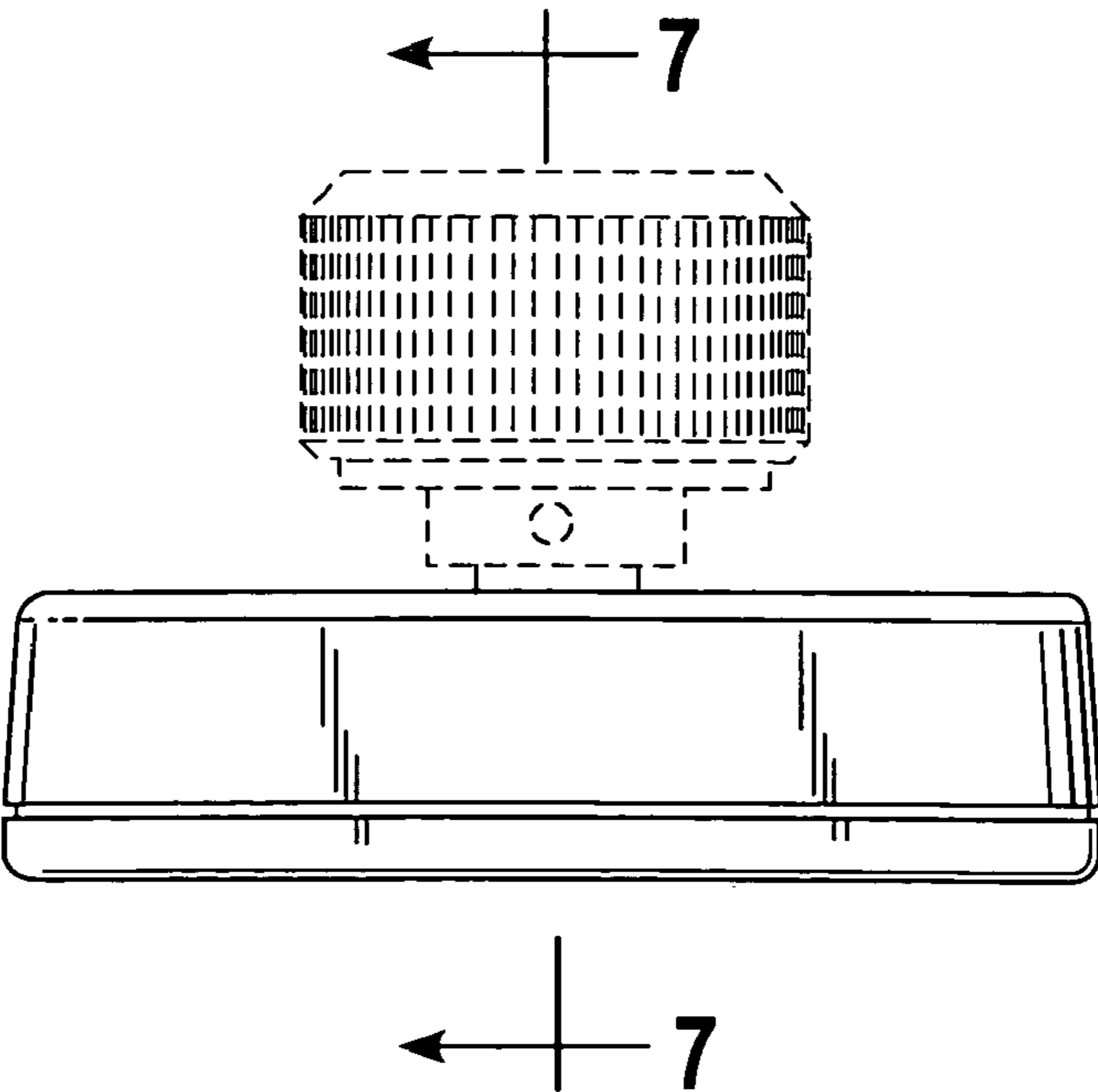


Fig. 3

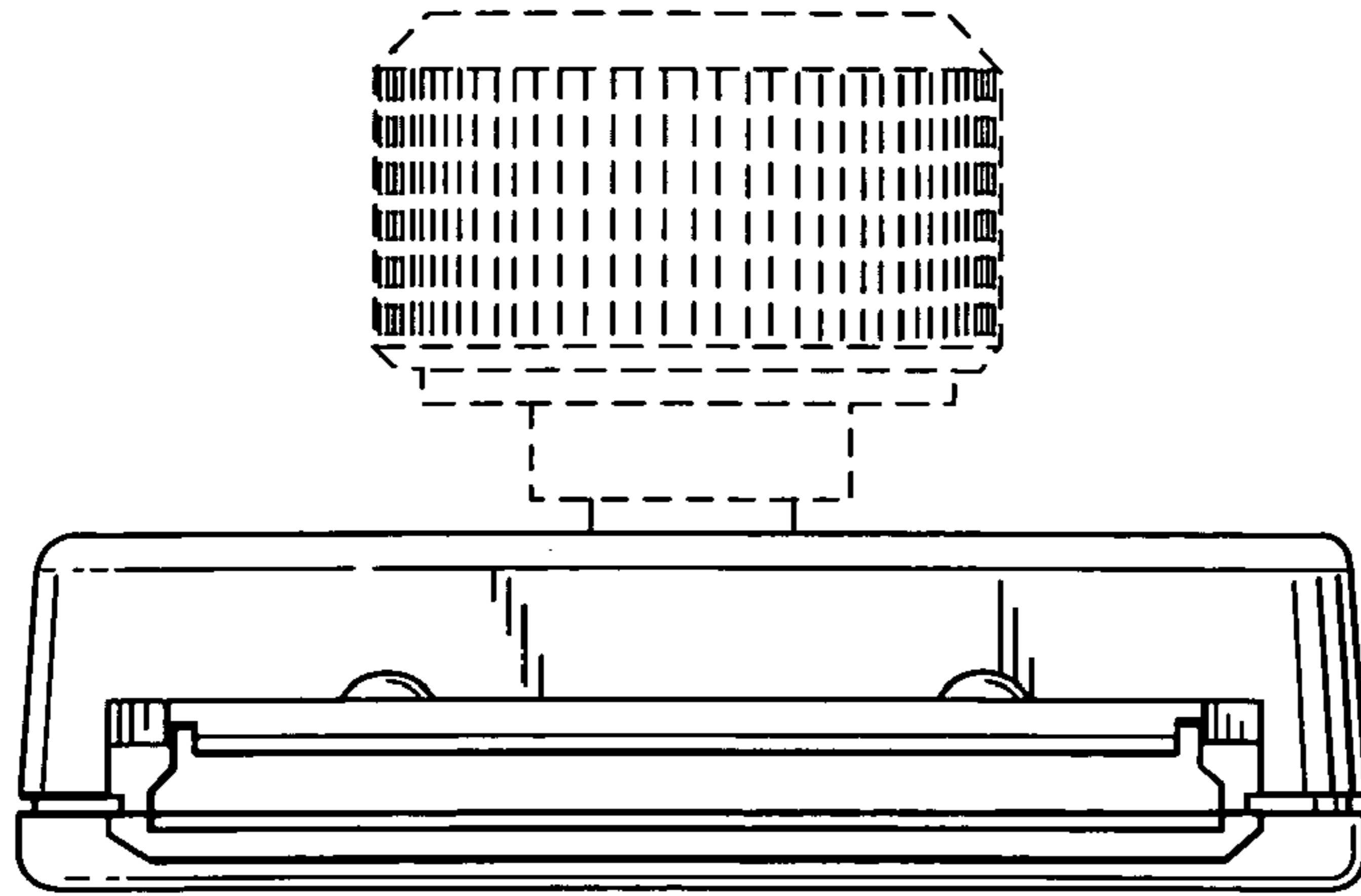
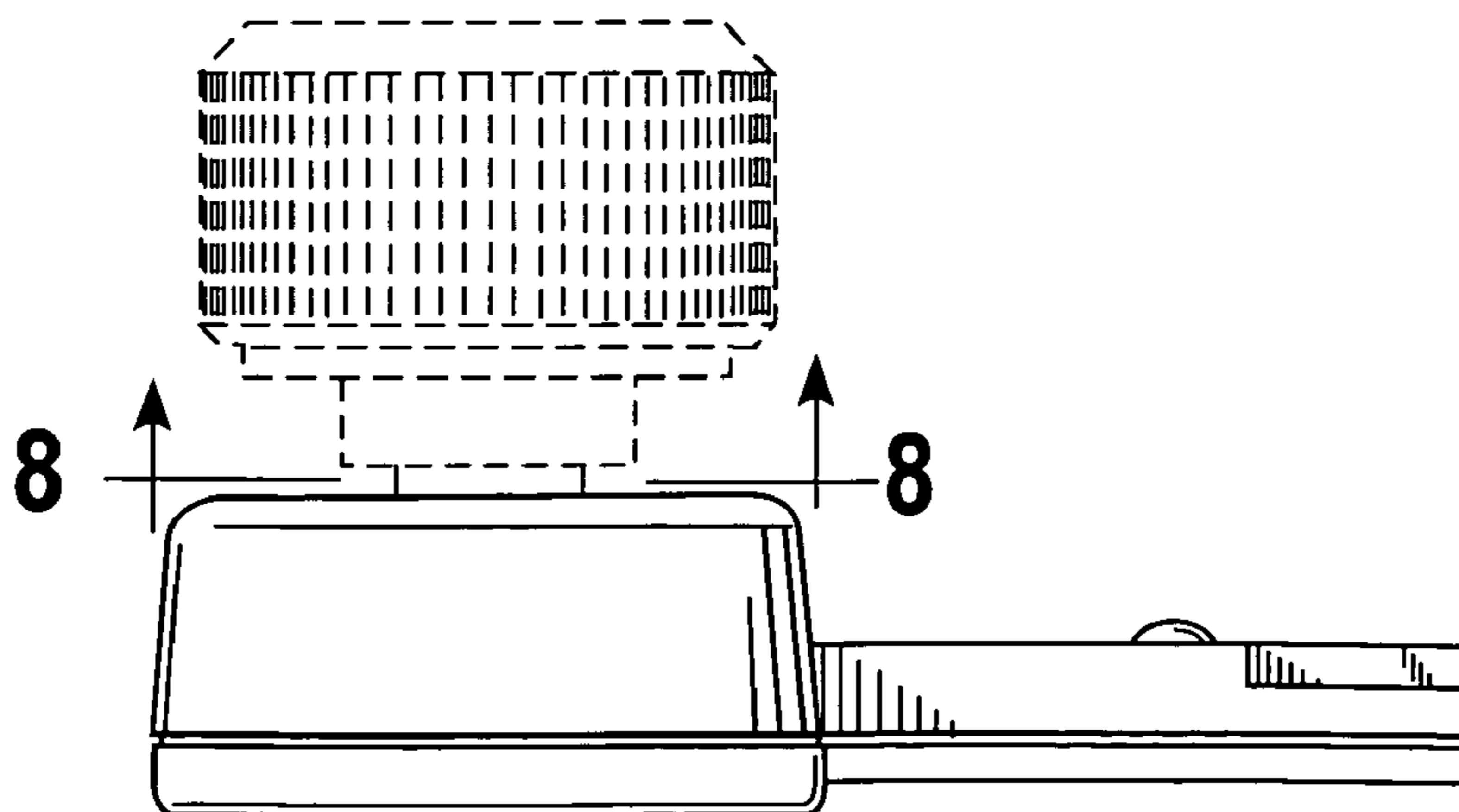
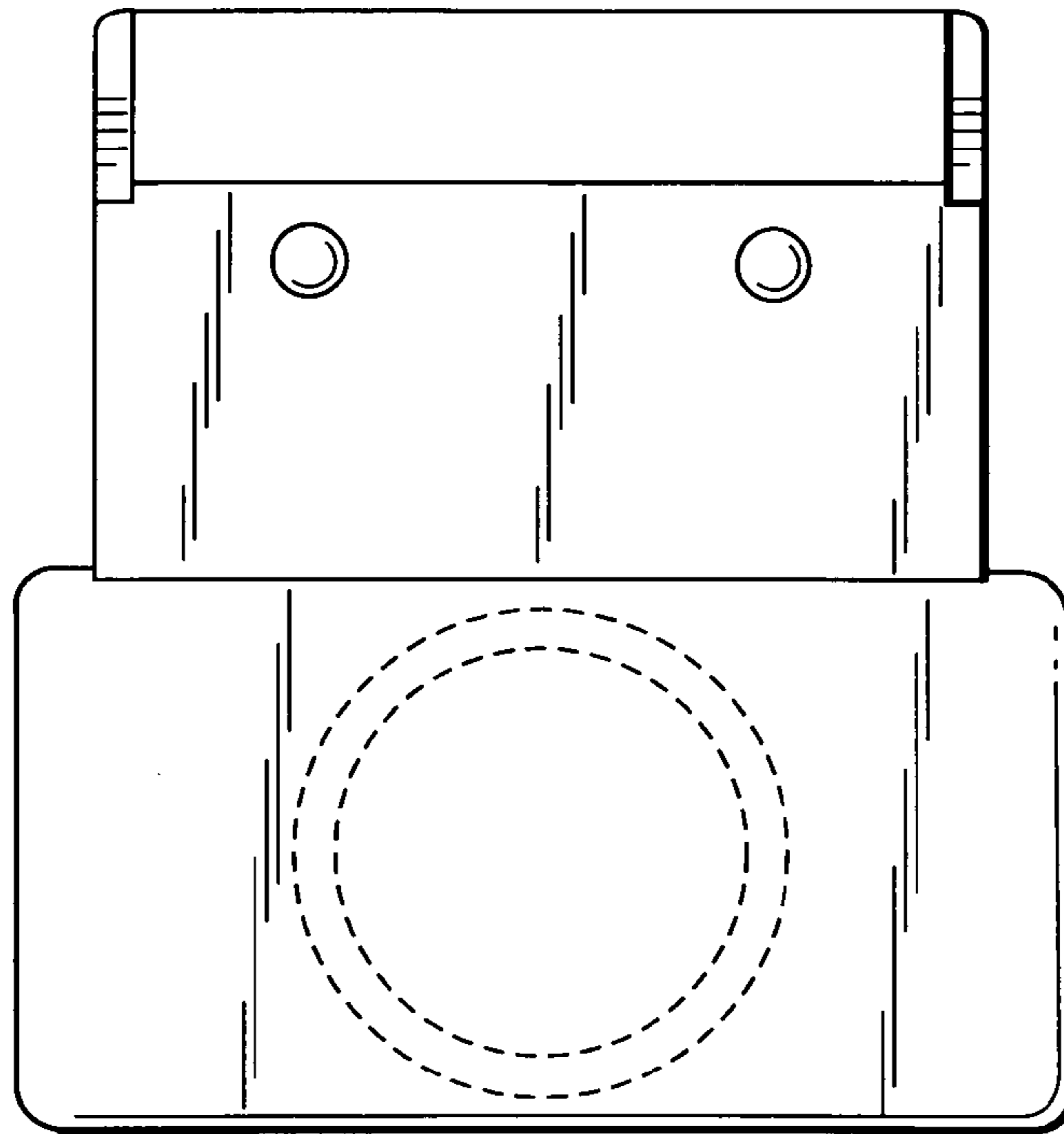


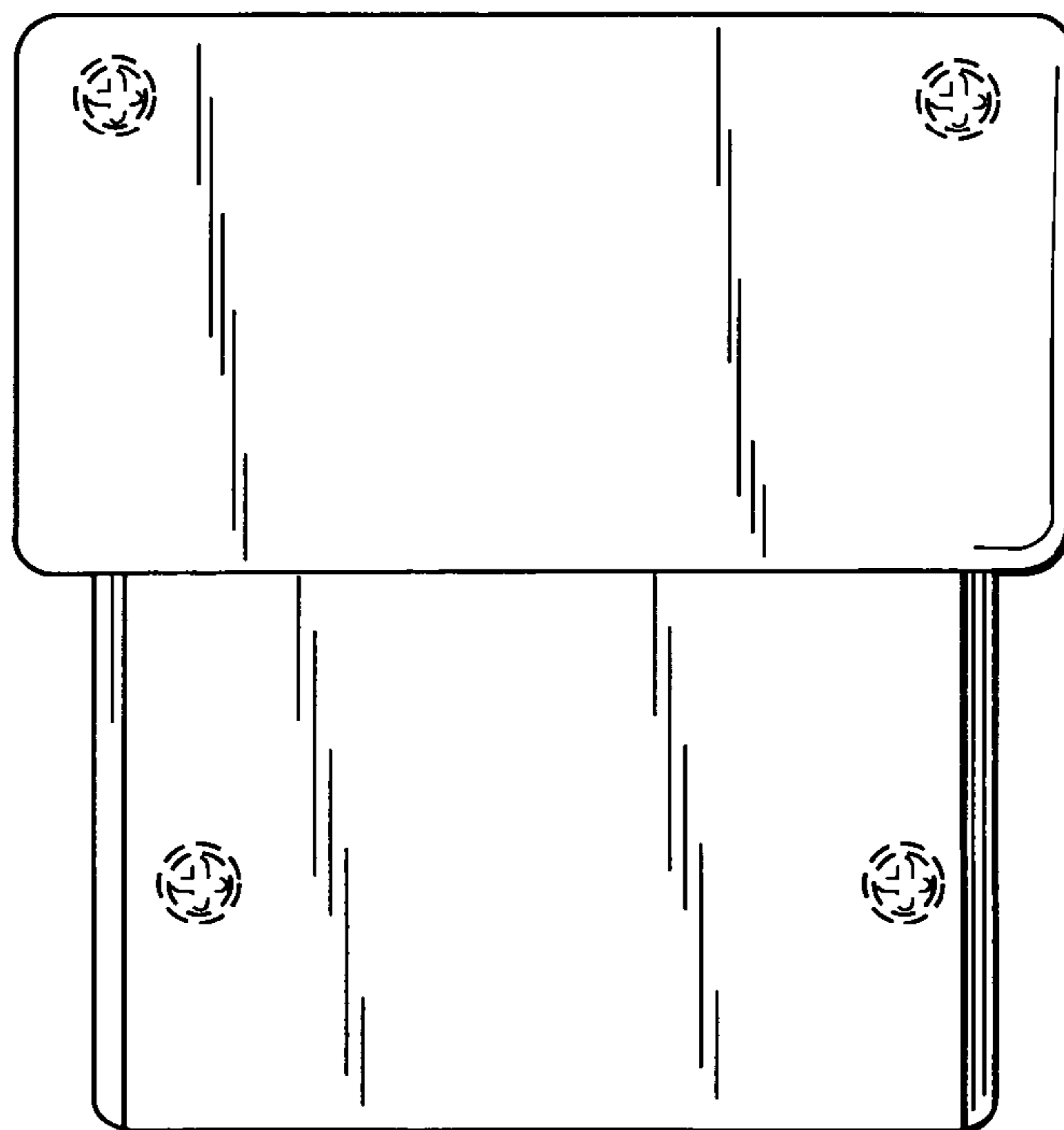
Fig. 4



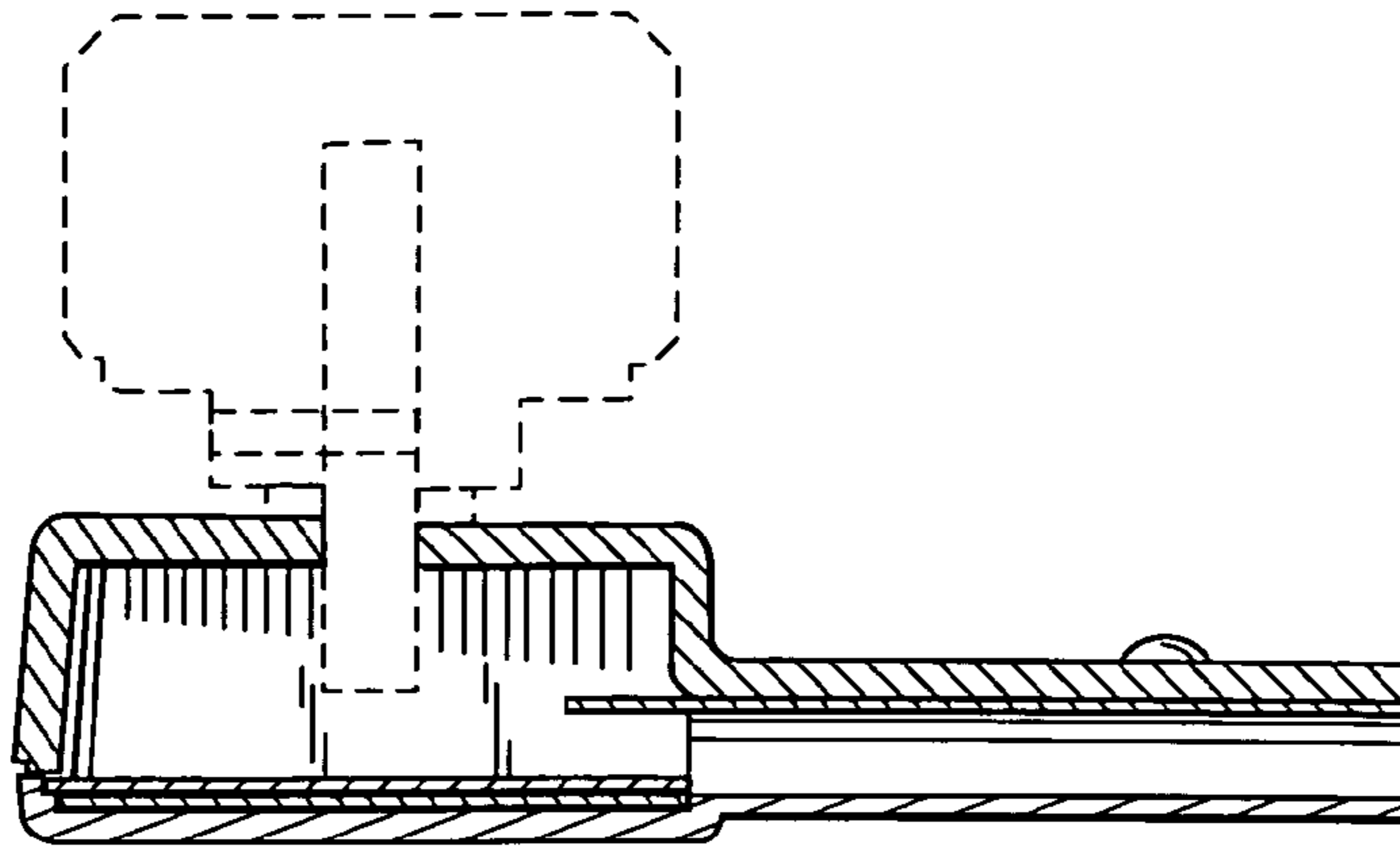
**Fig. 5**



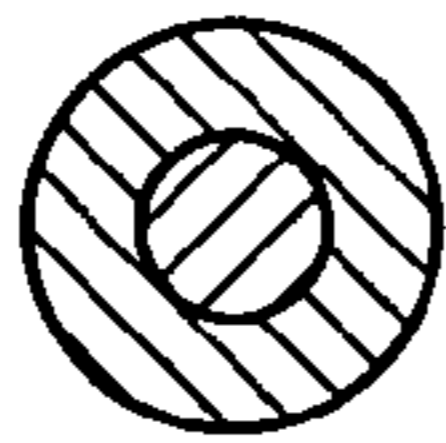
**Fig. 6**



**Fig. 7**



**Fig. 8**



**Fig. 9**

