

US00D586862S

(12) **United States Design Patent**
Healy et al.

(10) **Patent No.:** **US D586,862 S**

(45) **Date of Patent:** **** Feb. 17, 2009**

(54) **SIGN SUPPORT**

(75) Inventors: **Donall B. Healy**, New York, NY (US);
Marco Perry, Brooklyn, NY (US); **Jim Best**,
Hewitt, NJ (US); **Todd Brunner**, Brooklyn, NY (US)

(73) Assignee: **Visual Graphic Systems Inc.**, New York, NY (US)

(**) Term: **14 Years**

(21) Appl. No.: **29/302,538**

(22) Filed: **Jan. 18, 2008**

(51) **LOC (9) Cl.** **20-03**

(52) **U.S. Cl.** **D20/43**

(58) **Field of Classification Search** D20/10,
D20/19, 21, 41-44, 99; 40/125.05, 605,
40/607.11, 607.13, 604.14, 611.12, 611.13,
40/640.02, 644, 647, 651, 653, 654, 658,
40/660, 662, 666, 667; D6/328; D8/349,
D8/382, 394, 395; D26/138; 24/67 R, 67.9,
24/67.11, 455, 530; 84/422.3

See application file for complete search history.

(56) **References Cited**

U.S. PATENT DOCUMENTS

2,064,127 A	12/1936	Schneider	
D128,793 S	8/1941	Bonnell	
D175,481 S *	8/1955	Slavsky	D20/44
3,154,870 A *	11/1964	Hopp et al.	40/605
D207,298 S	4/1967	Edwards	
4,506,416 A *	3/1985	Ohminato et al.	24/67 R
D303,811 S	10/1989	de Witt	
D319,078 S *	8/1991	Hector, Sr.	D20/21
5,230,535 A	7/1993	Figlenski	
D350,566 S	9/1994	Pearson	
5,441,182 A *	8/1995	Sullivan	223/85
D365,170 S *	12/1995	Ng et al.	D26/138
D372,499 S	8/1996	Carlson et al.	

D392,686 S	3/1998	Sarkisian et al.	
D435,270 S	12/2000	Healy	
D445,837 S	7/2001	Waterhouse	
D447,048 S *	8/2001	Beloff	D8/395
6,298,591 B1	10/2001	Healy	
6,308,446 B1	10/2001	Healy	
D450,776 S	11/2001	Albrecht	
D454,593 S *	3/2002	Kosir	D20/44
D454,918 S *	3/2002	Wamsley et al.	D20/43
D458,641 S	6/2002	Marcos et al.	
6,450,471 B1	9/2002	Wear	
D484,544 S	12/2003	Healy	
D485,313 S	1/2004	Healy	
D511,548 S *	11/2005	Wamsley	D20/43
2006/0117630 A1 *	6/2006	Raia et al.	40/658

* cited by examiner

Primary Examiner—Janice E Seeger

Assistant Examiner—Mary Ann Calabrese

(74) *Attorney, Agent, or Firm*—Darby & Darby

(57) **CLAIM**

The ornamental design for a sign support, as shown and described.

DESCRIPTION

FIG. 1 is a front-perspective view of a sign support according to the invention;

FIG. 2 is a rear elevational view of the sign support;

FIG. 3 is a front elevational view of the sign support;

FIG. 4 is a left side elevational view of the sign support of FIG. 1, the right side elevational view being a mirror image thereof; and,

FIG. 5 is a bottom plan view of the sign support, the top plan view being a mirror image thereof.

In the drawings, the broken lines illustrate the environment in which the sign support is used and forms no part of the claimed design.

1 Claim, 2 Drawing Sheets

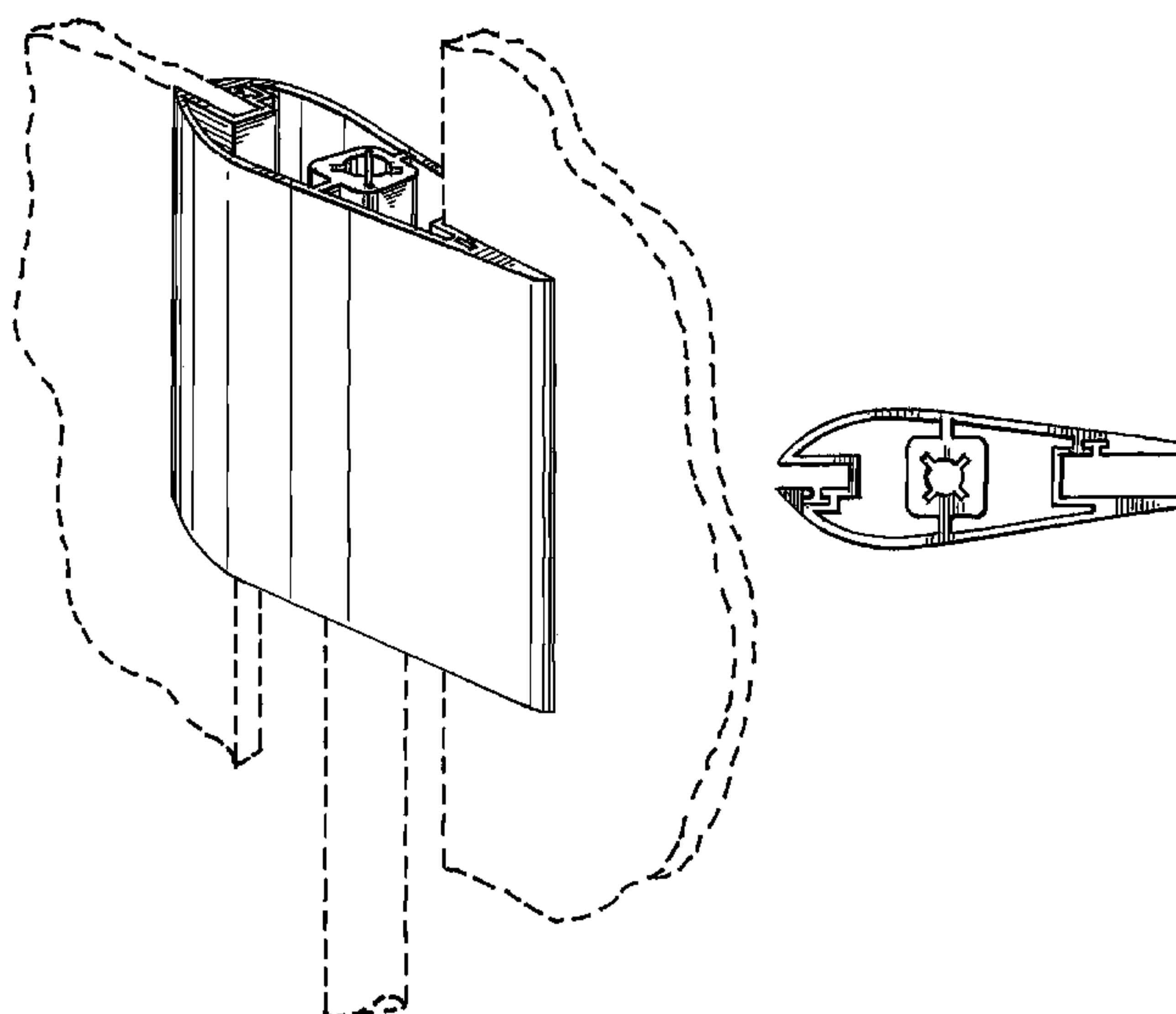


FIG. 1

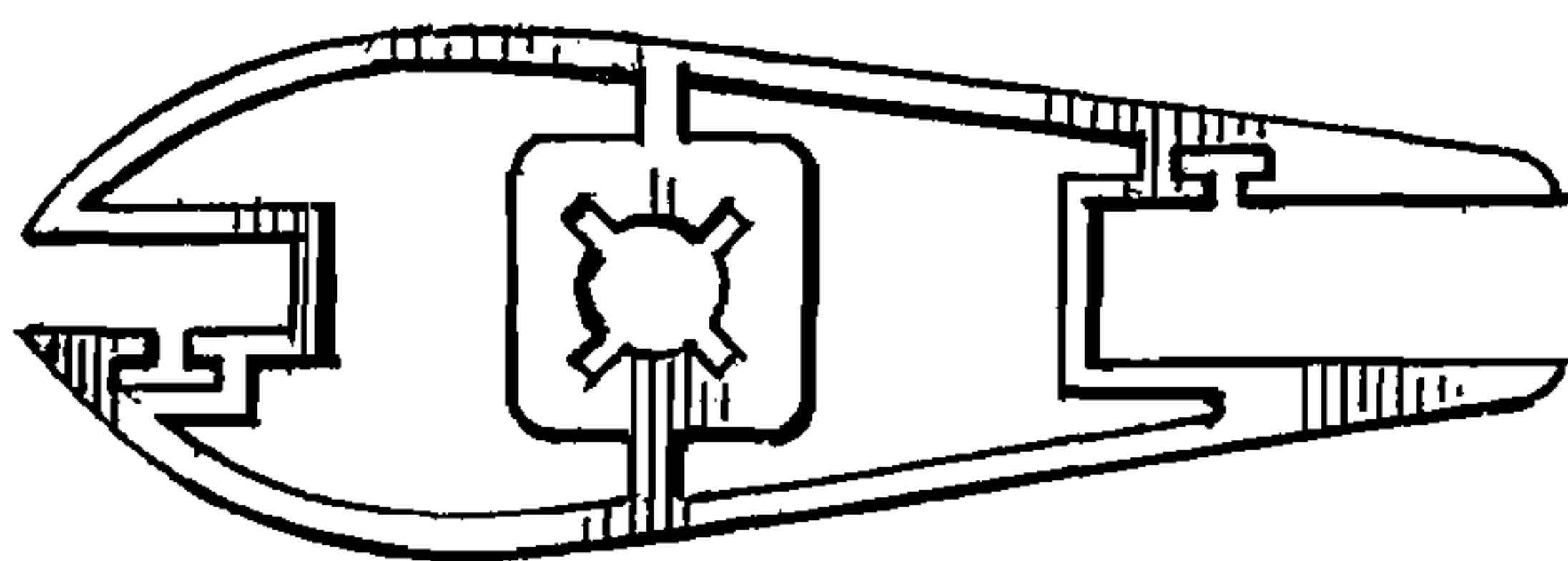
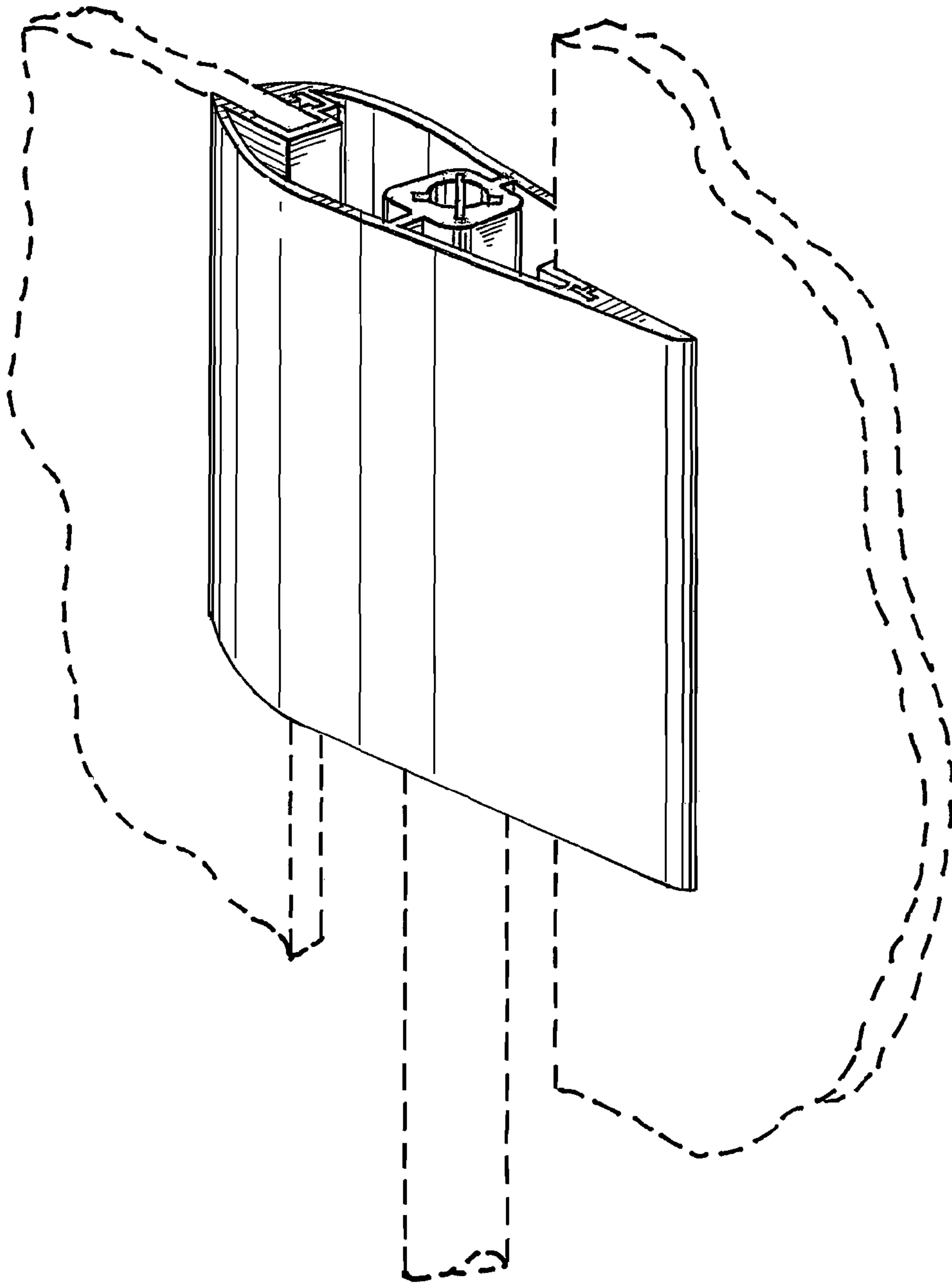


FIG. 5

FIG. 2

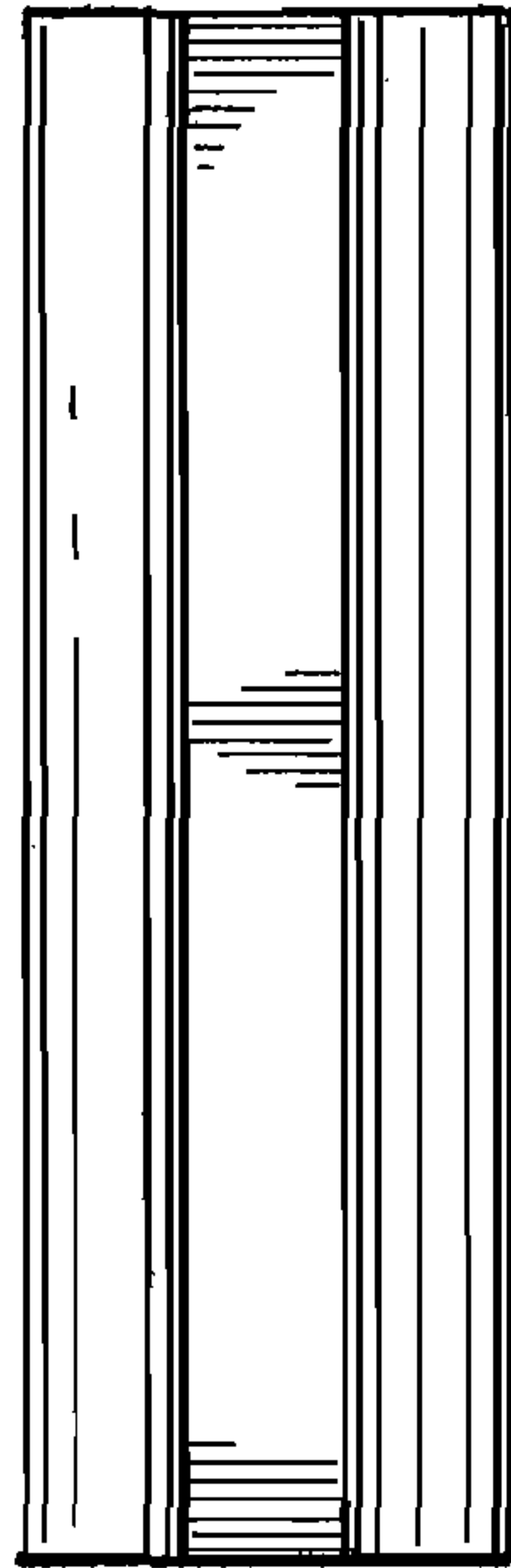


FIG. 3

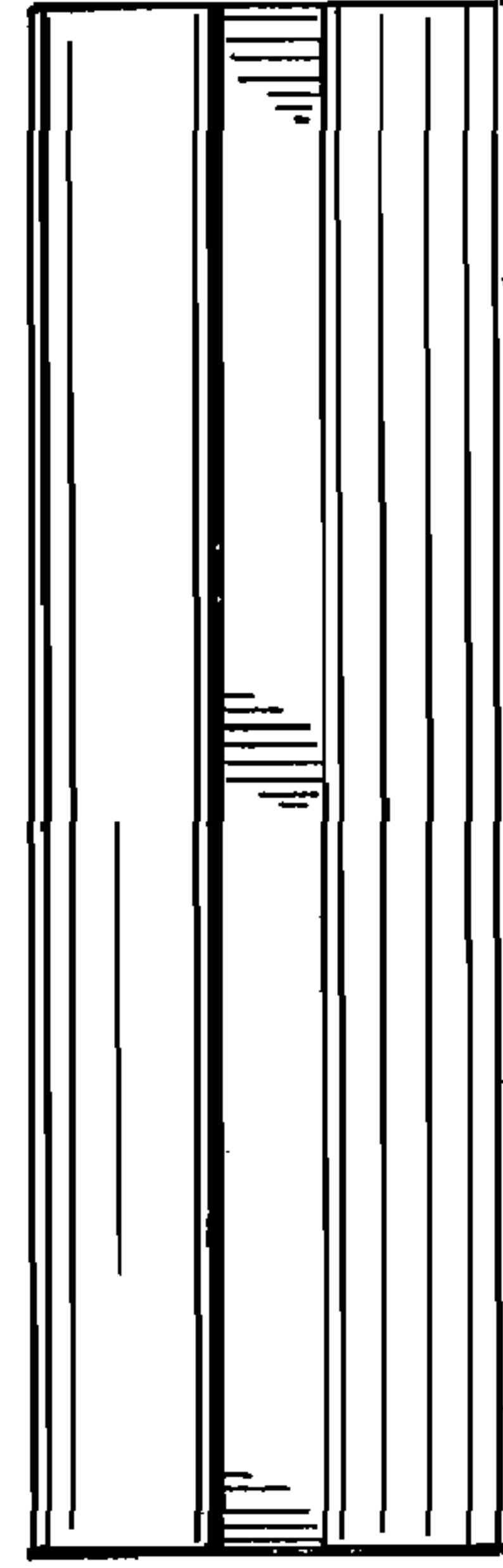


FIG. 4

