



US00D586857S

(12) **United States Design Patent**
Slowikowski et al.

(10) **Patent No.:** **US D586,857 S**

(45) **Date of Patent:** **** Feb. 17, 2009**

(54) **TAPE DISPENSER**

(75) Inventors: **Derrick Slowikowski**, Merrimack, NH (US); **Timothy Byrd**, Goffstown, NH (US); **Joseph R. Levesque**, Londonderry, NH (US)

(73) Assignee: **Velcro Industries B.V.**, Curacao (AN)

(**) Term: **14 Years**

(21) Appl. No.: **29/317,740**

(22) Filed: **May 6, 2008**

(51) **LOC (9) Cl.** **19-02**

(52) **U.S. Cl.** **D19/69**

(58) **Field of Classification Search** D19/70,
D19/69, 36, 68; 242/588.6, 588.2; 225/77,
225/6, 56, 39, 26, 25, 19, 11; 206/411; 156/577,
156/527, 523

See application file for complete search history.

(56) **References Cited**

U.S. PATENT DOCUMENTS

D248,561 S * 7/1978 Deering, Jr. D19/69
D318,690 S * 7/1991 Huang D19/69
D330,155 S * 10/1992 Dye D8/360

D390,874 S * 2/1998 Mandar D19/69
D540,388 S * 4/2007 Weinstein D19/69
D540,872 S * 4/2007 Goolrick D19/69

* cited by examiner

Primary Examiner—Cathron C Brooks

Assistant Examiner—Austin Murphy

(74) *Attorney, Agent, or Firm*—Fish & Richardson P.C.

(57) **CLAIM**

The ornamental design for a tape dispenser, substantially as shown and described.

DESCRIPTION

FIG. 1 is a perspective view of our tape dispenser.

FIG. 2 is a bottom view of our tape dispenser.

FIG. 3 is a top view of our tape dispenser.

FIG. 4 is a back view of our tape dispenser.

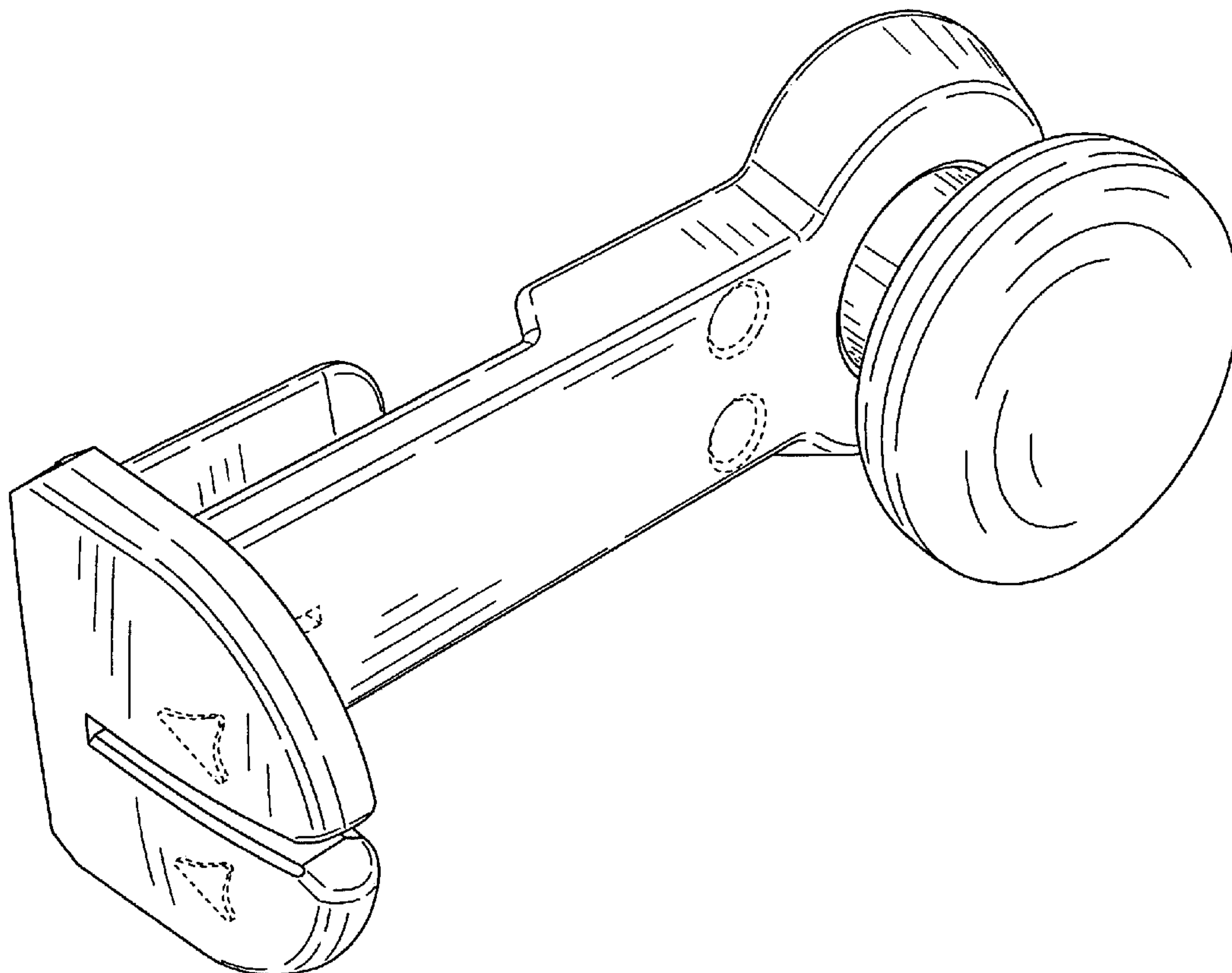
FIG. 5 is a front view of our tape dispenser.

FIG. 6 is a left view of our tape dispenser; and,

FIG. 7 is a right view of our tape dispenser.

The broken lines which define the bounds of the claimed design form no part thereof.

1 Claim, 6 Drawing Sheets



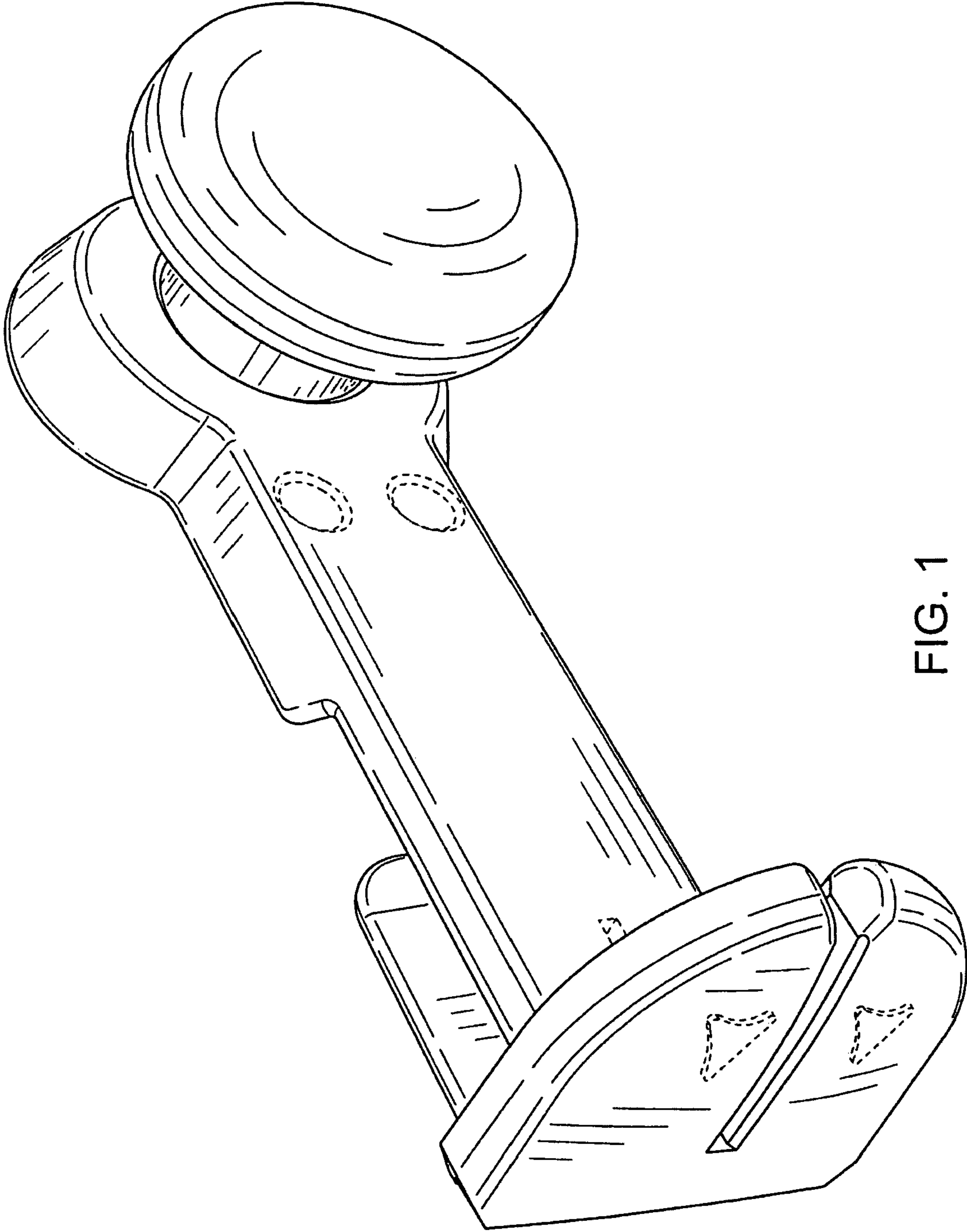


FIG. 1

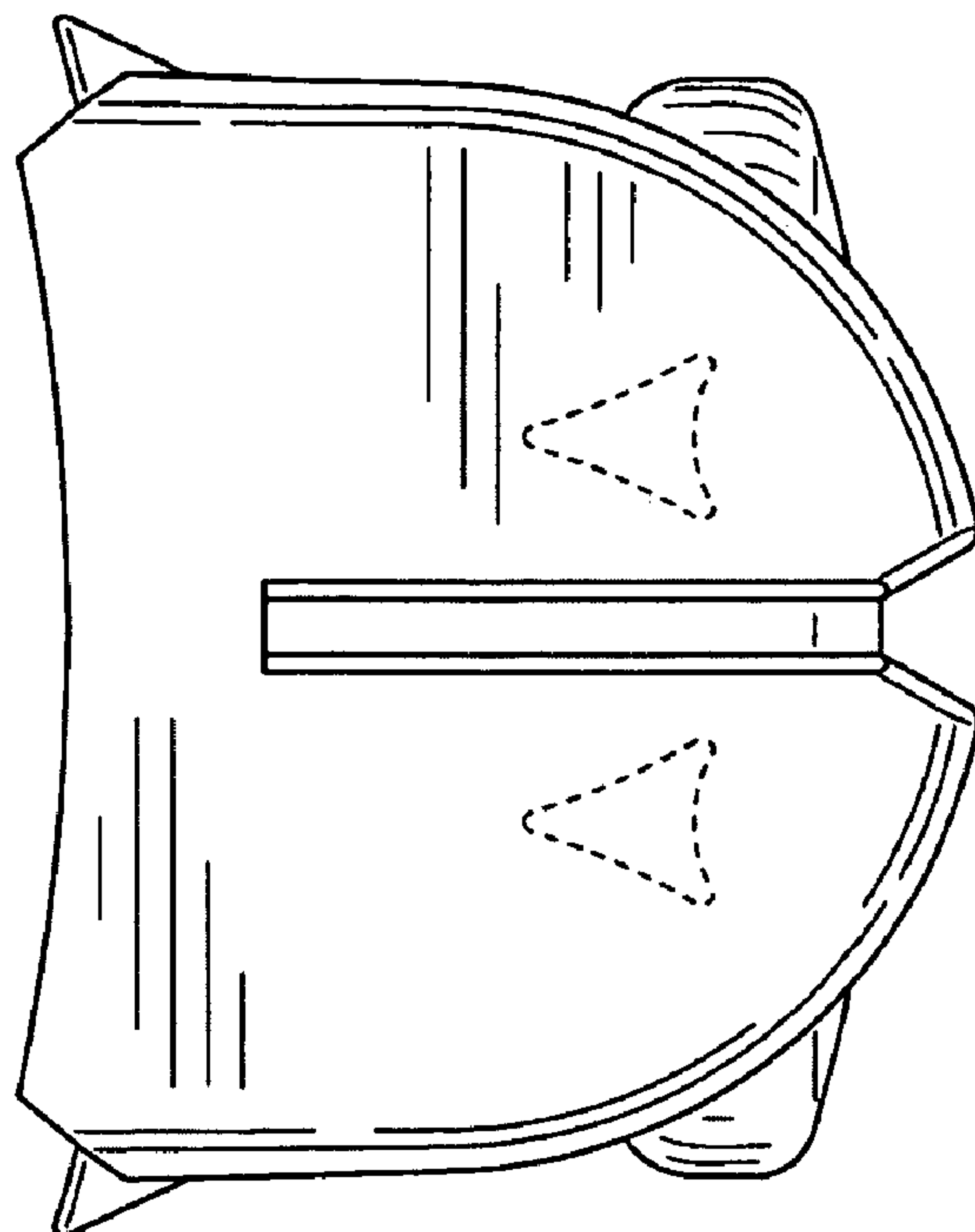


FIG. 2

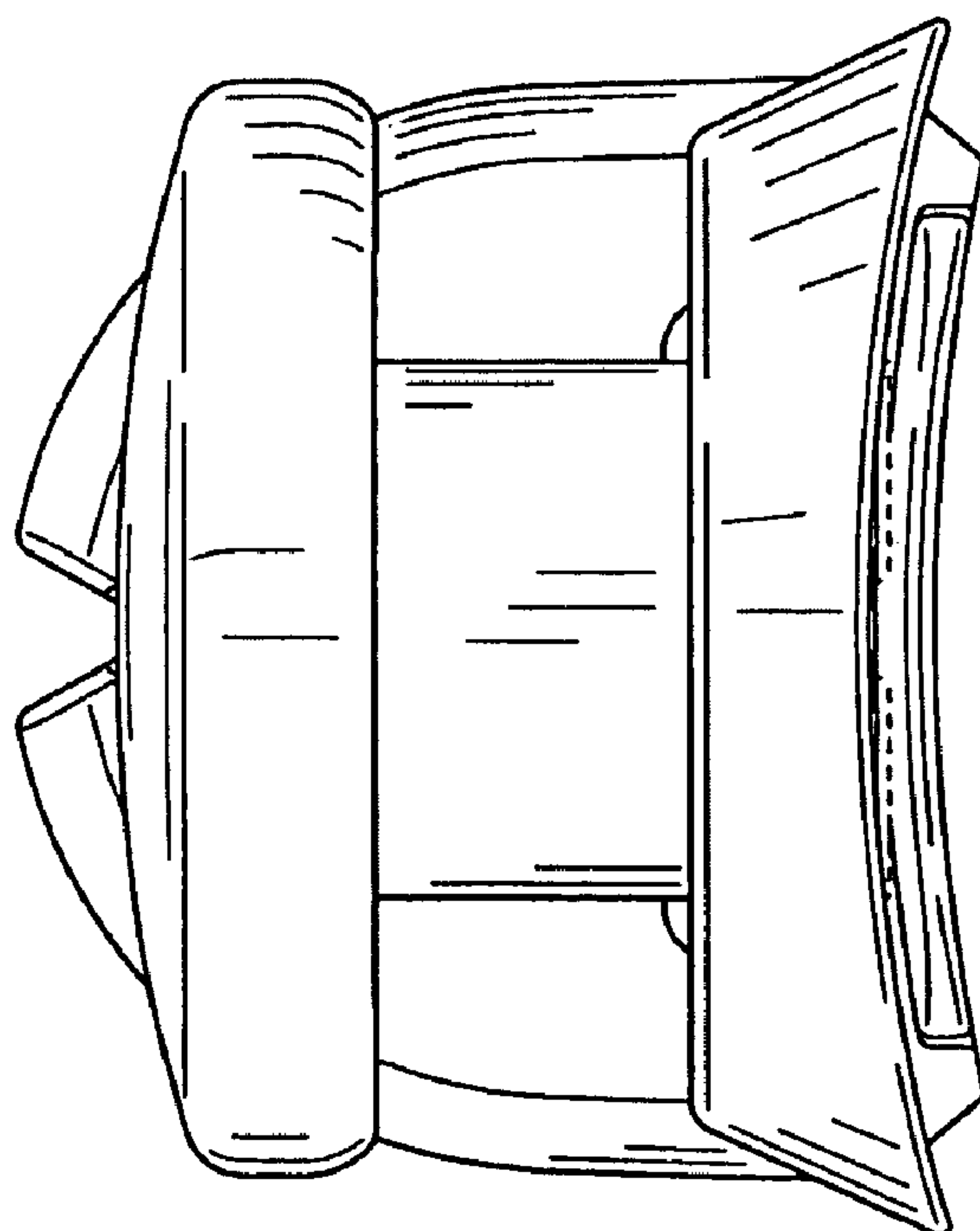


FIG. 3

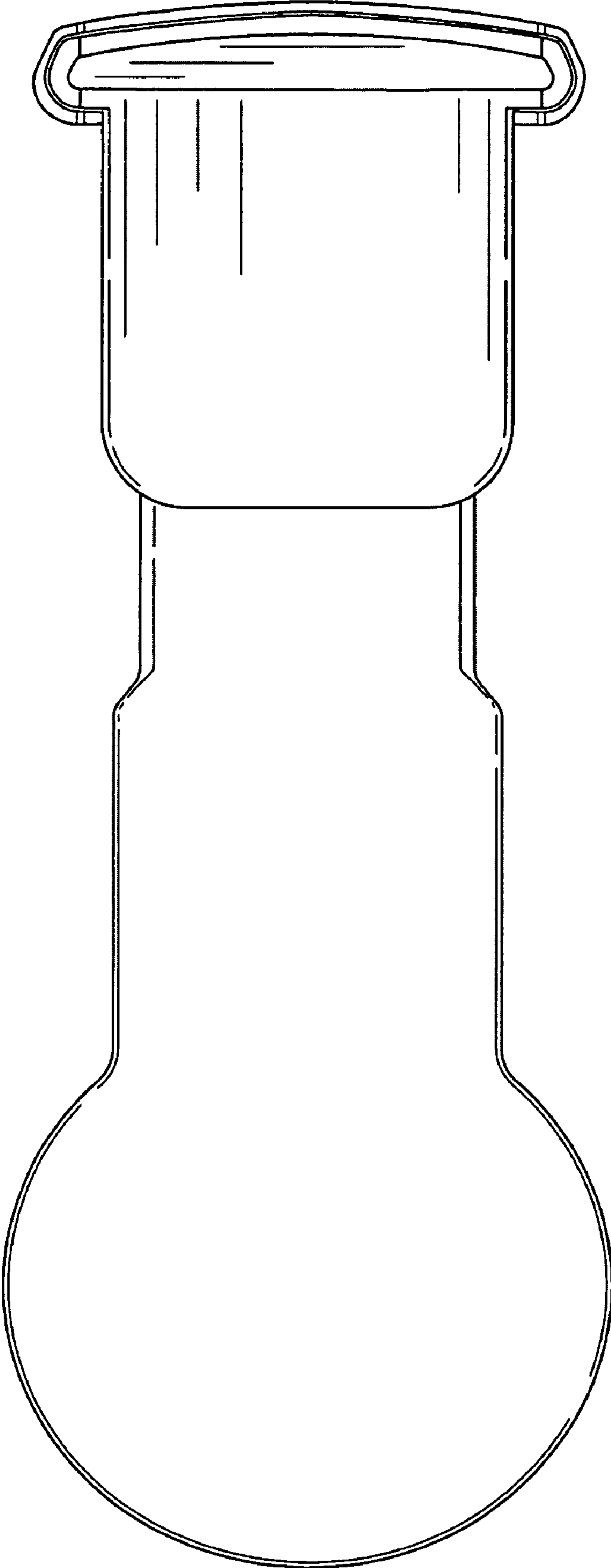


FIG. 4

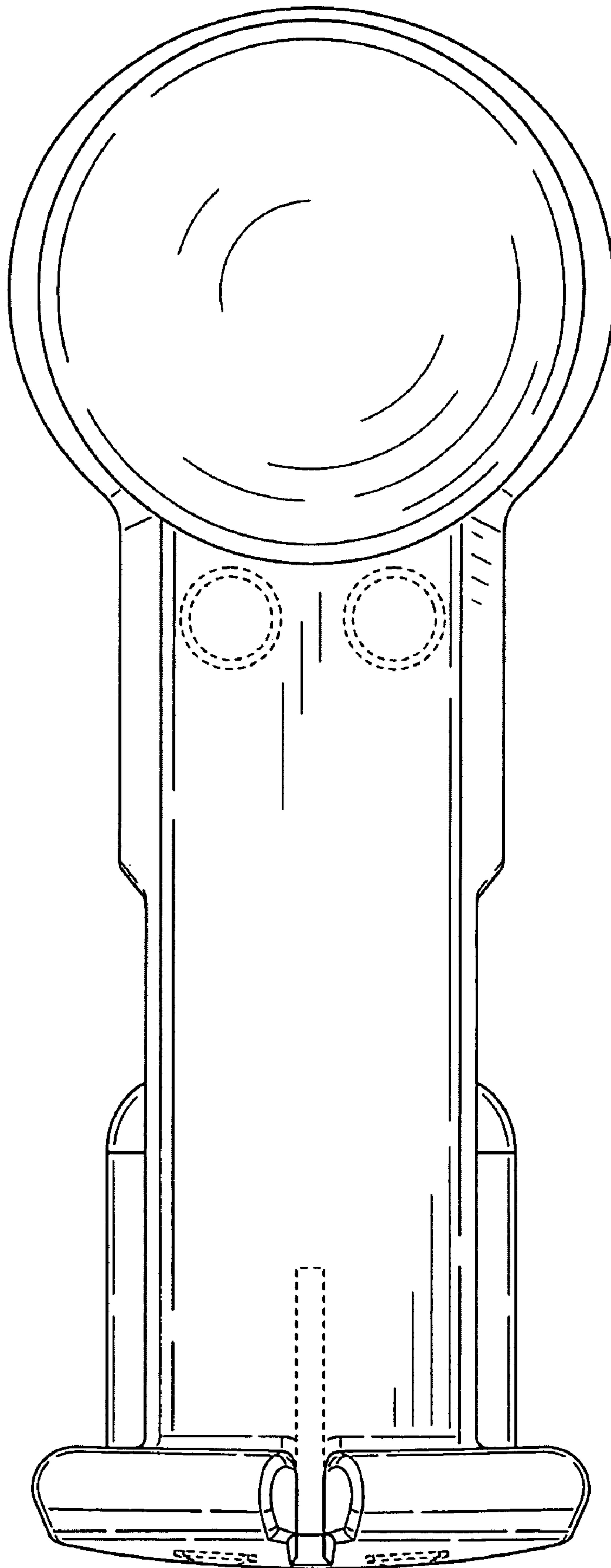


FIG. 5

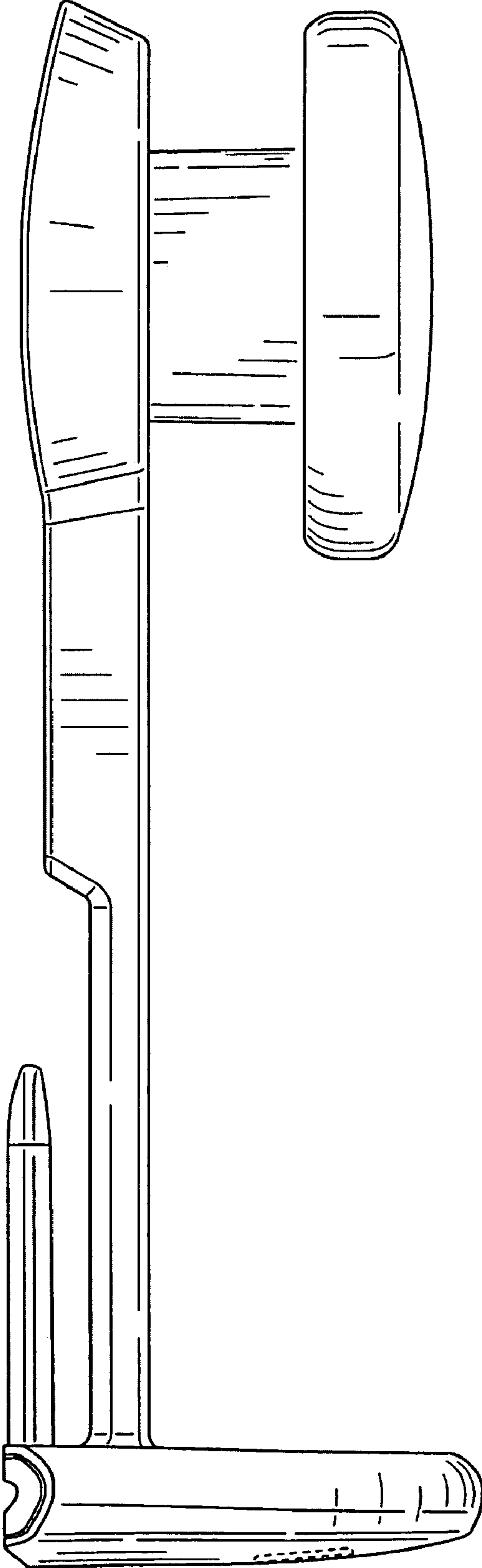


FIG. 6

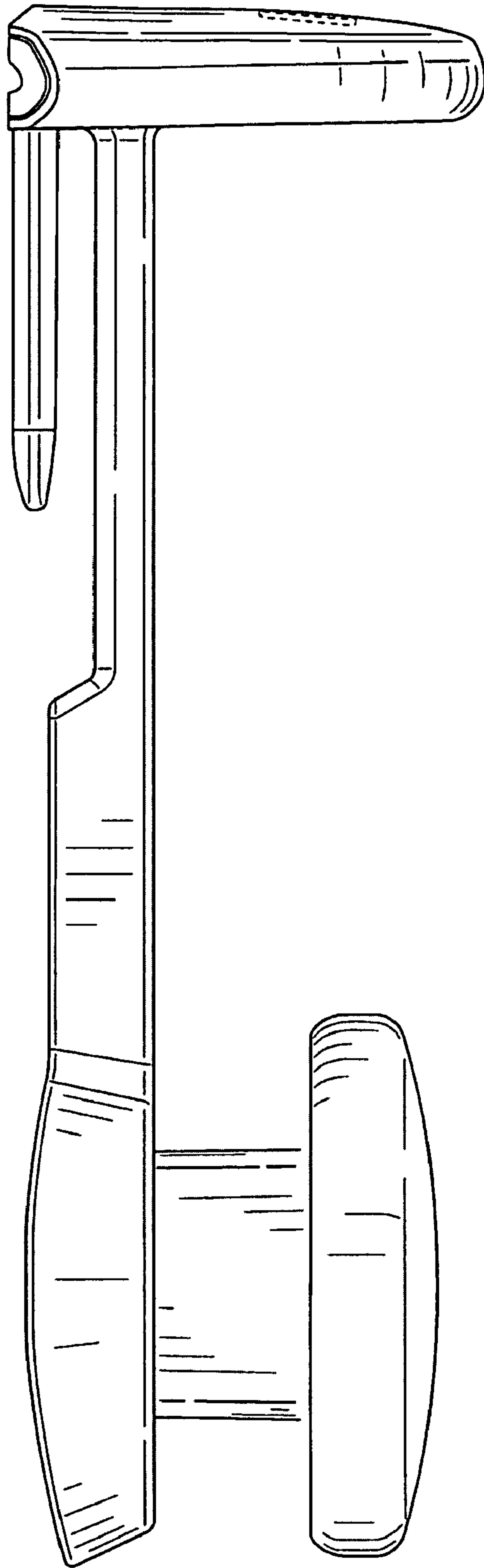


FIG. 7