



US00D586856S

(12) **United States Design Patent**
Yagyu

(10) **Patent No.:** **US D586,856 S**
(45) **Date of Patent:** **** Feb. 17, 2009**

(54) **CAP OF PEN**

D547,801 S * 7/2007 Oka D19/43

(75) Inventor: **Kumiko Yagyu**, Tokyo (JP)

OTHER PUBLICATIONS

“Look Up 2006 M-12F”, Pilot Corporation, 2006, Cap of Pen.

(73) Assignee: **Kabushiki Kaisha Pilot Corporation**,
Tokyo (JP)

* cited by examiner

(**) Term: **14 Years**

Primary Examiner—Elizabeth A Albert

Assistant Examiner—Karen E Eldridge Powers

(21) Appl. No.: **29/296,257**

(74) *Attorney, Agent, or Firm*—Sughrue Mion, PLLC

(22) Filed: **Oct. 17, 2007**

(57) **CLAIM**

(30) **Foreign Application Priority Data**

The ornamental design for a cap of pen, as shown and described.

Apr. 18, 2007 (JP) 2007-010377

DESCRIPTION

(51) **LOC (9) Cl.** **19-06**

FIG. 1 is a perspective view of the top, front and left side of a cap of pen showing my new design;

(52) **U.S. Cl.** **D19/57**

FIG. 2 is a front elevational view thereof, the rear view being a mirror image;

(58) **Field of Classification Search** D19/35,
D19/36, 41, 42, 44, 45, 46, 43, 47, 48, 49,
D19/50, 51, 54, 55, 56, 57; 24/11 R, 11 F,
24/11 P; 401/55, 99, 100, 104, 105, 106,
401/107, 109, 196, 197, 202, 208, 209, 213,
401/192, 195, 243, 244, 245, 246, 247; 708/107
See application file for complete search history.

FIG. 3 is a top plan view thereof;

FIG. 4 is a bottom plan view thereof;

FIG. 5 is a left side elevational view thereof;

FIG. 6 is a right side elevational view thereof;

(56) **References Cited**

U.S. PATENT DOCUMENTS

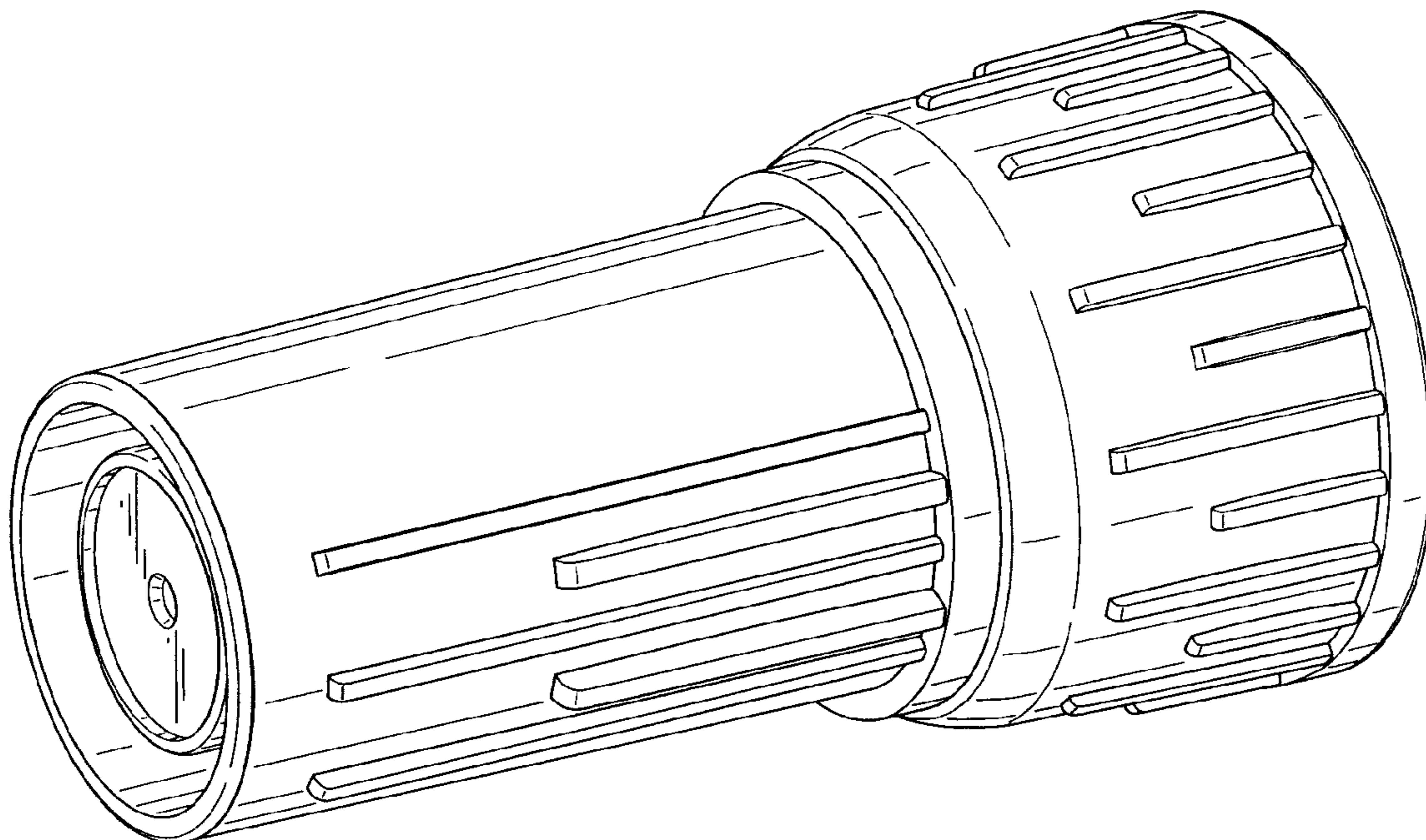
D369,183 S * 4/1996 Yoshida D19/49
D371,388 S * 7/1996 Ito et al. D19/49
D389,862 S * 1/1998 Imagawa D19/43
D415,797 S * 10/1999 Wright et al. D19/66
D470,887 S * 2/2003 Okutani D19/43
D496,070 S * 9/2004 Furlong et al. D19/57

FIG. 7 is a sectional view thereof along the lines 7—7 in FIG. 2;

FIG. 8 is a sectional view thereof along the lines 8—8 in FIG. 2; and,

FIG. 9 is a sectional view thereof along the lines 9—9 in FIG. 2.

1 Claim, 4 Drawing Sheets



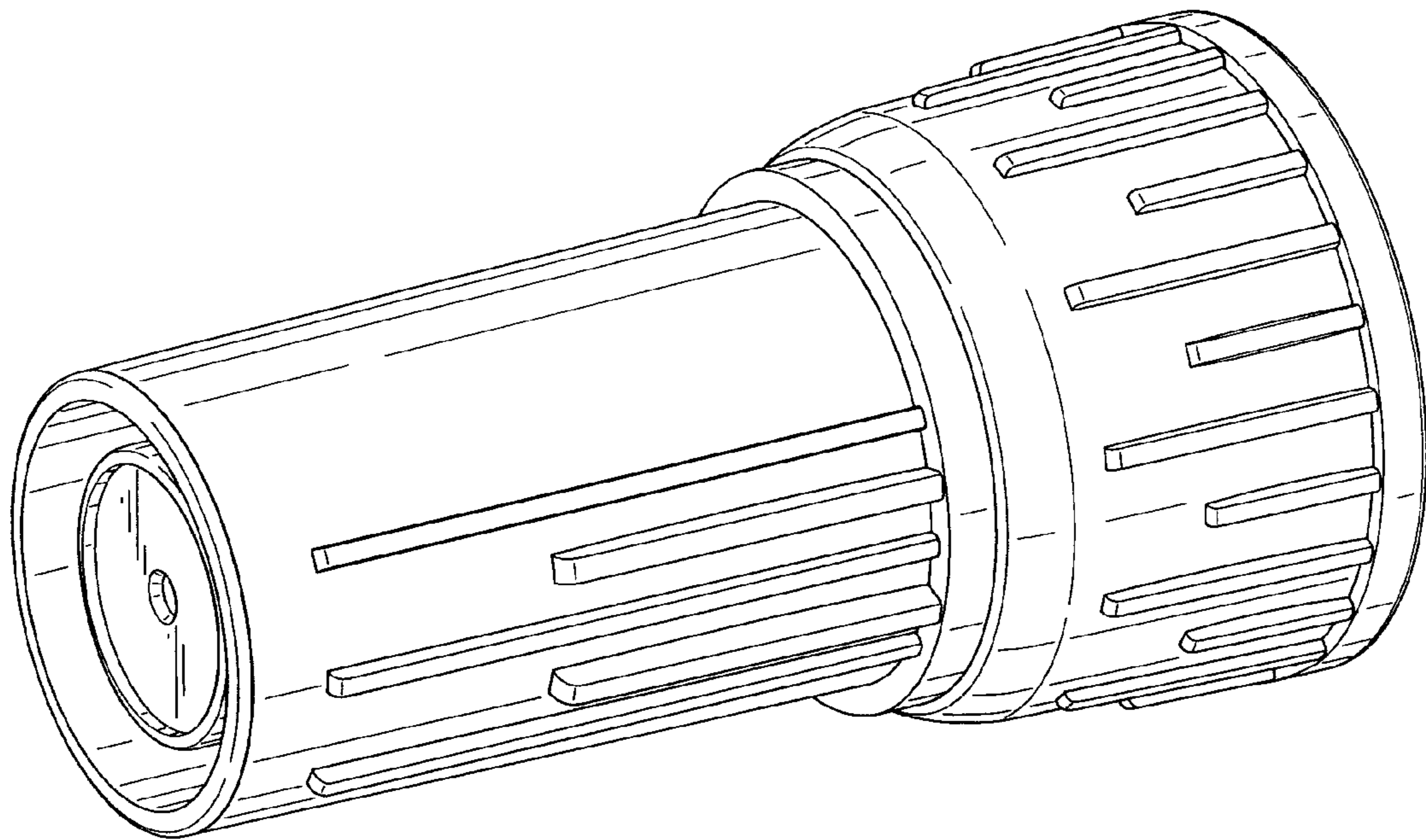


FIG. 1

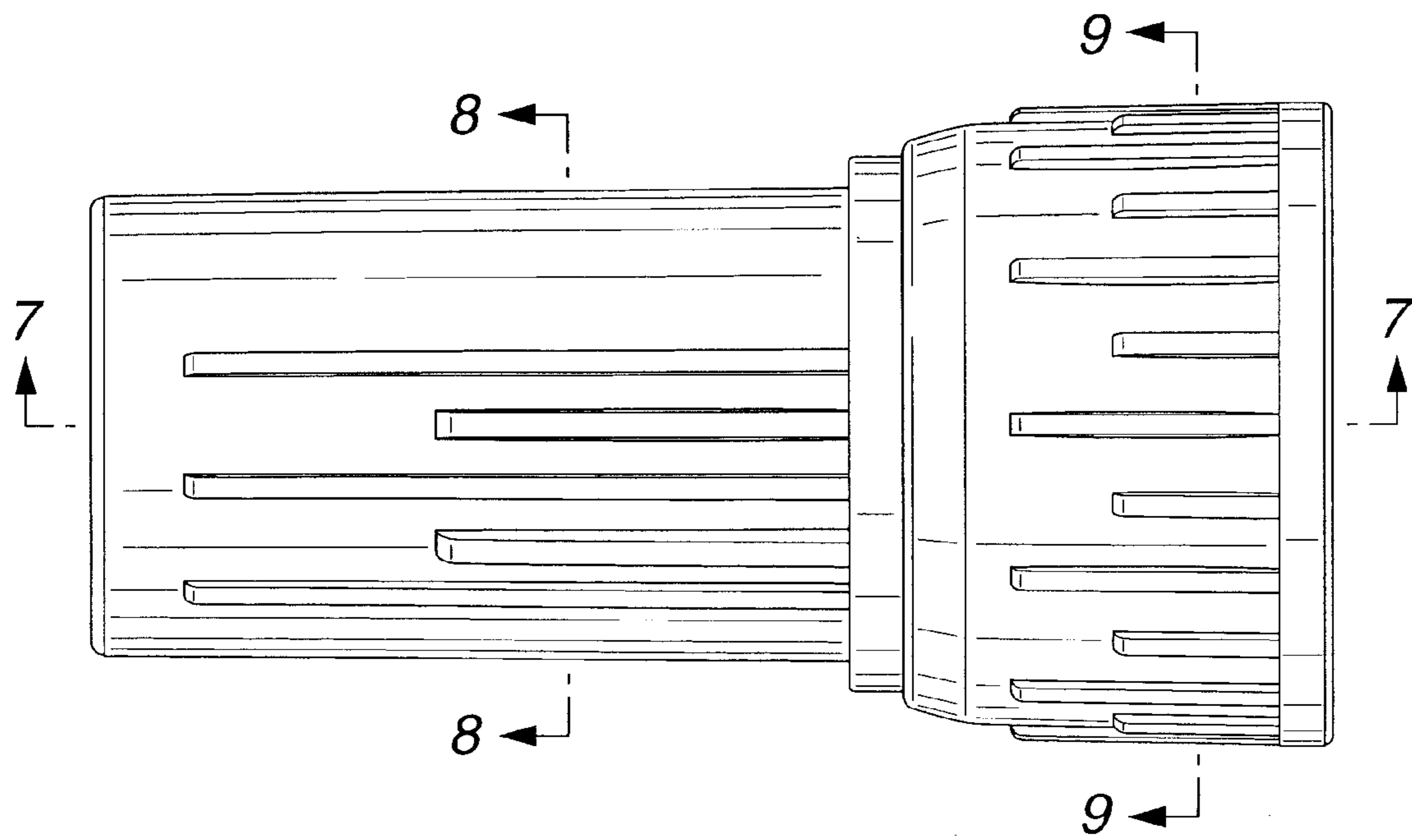


FIG. 2

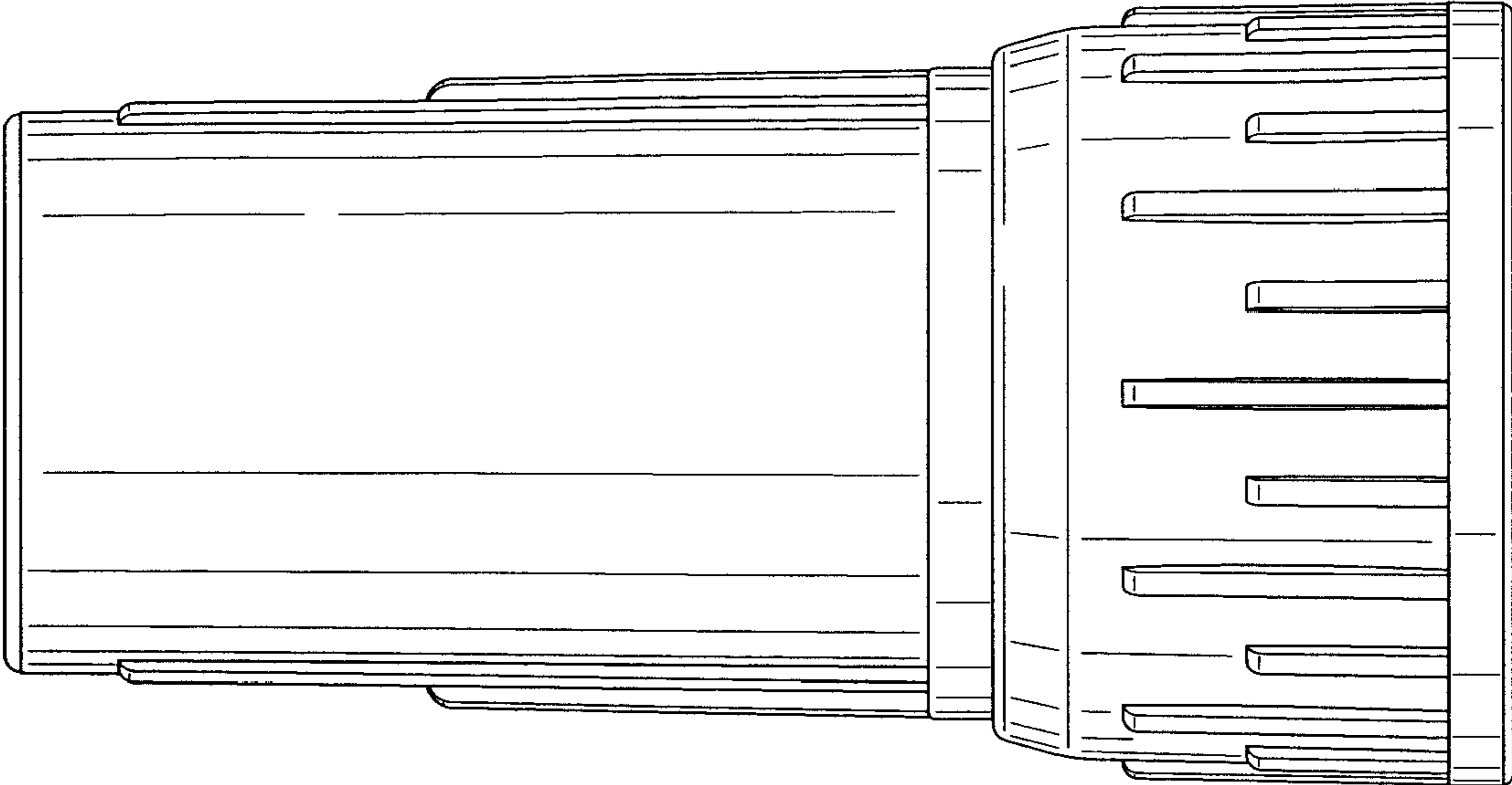


FIG. 3

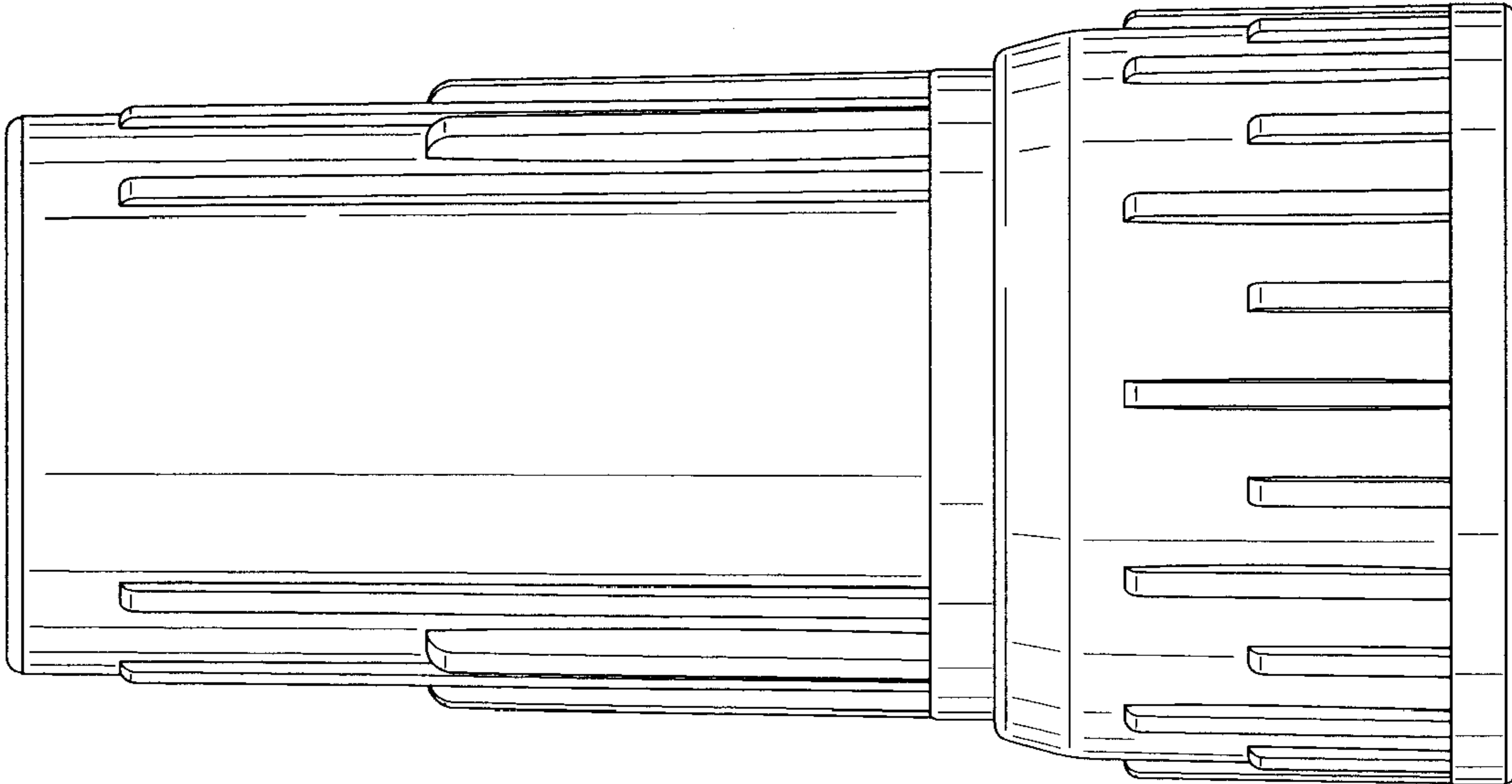


FIG. 4

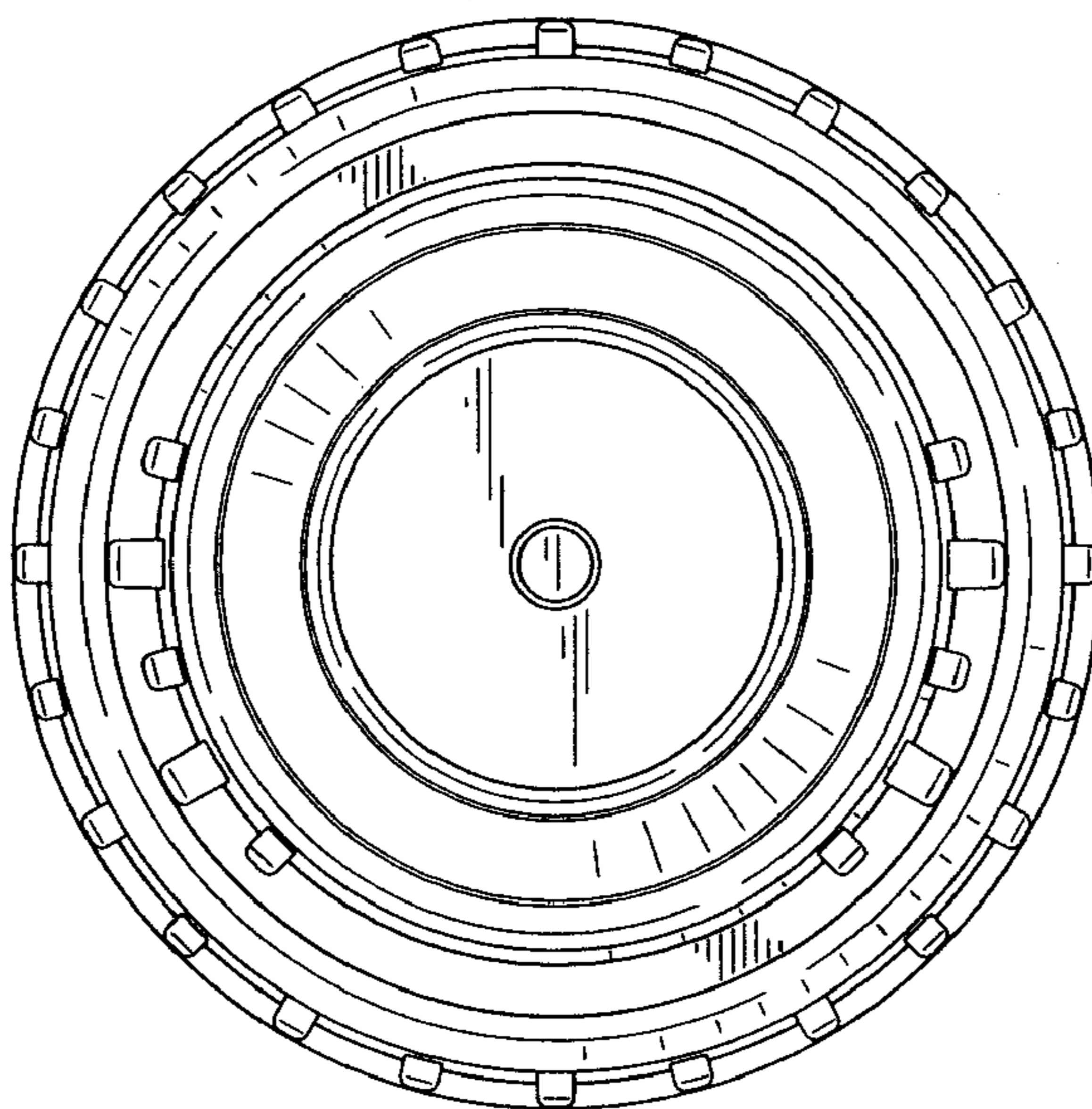


FIG. 5

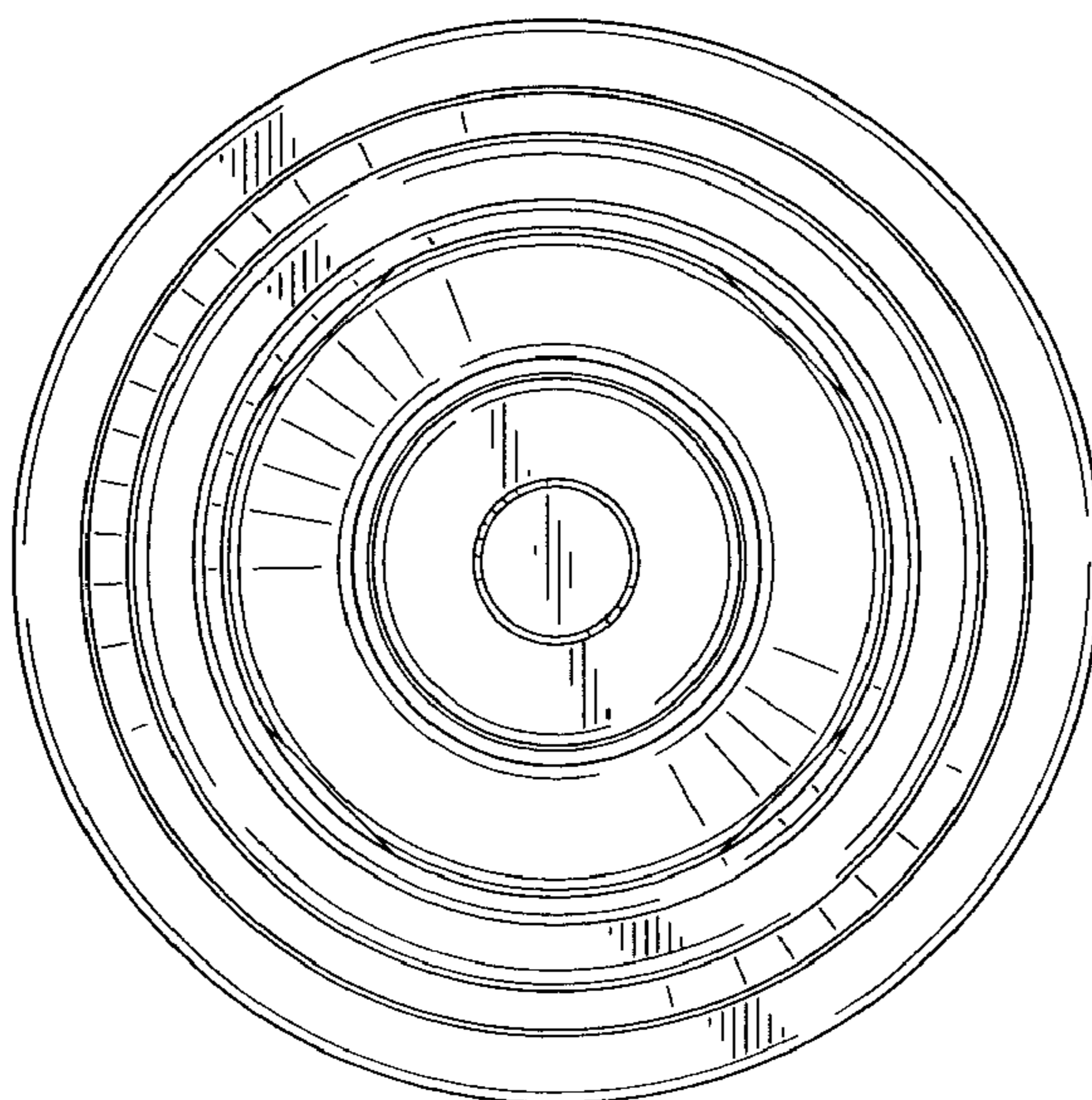


FIG. 6

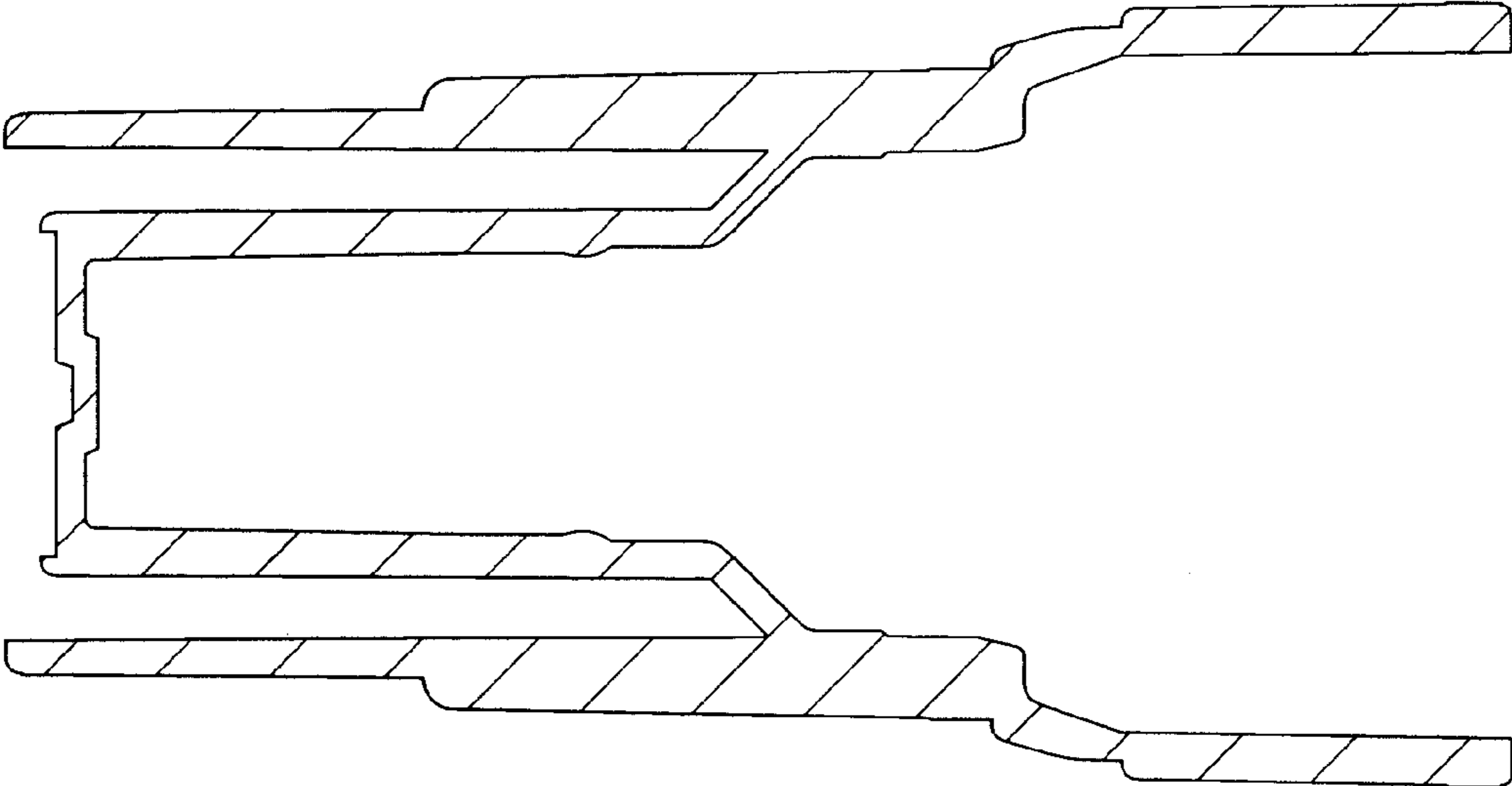


FIG. 7

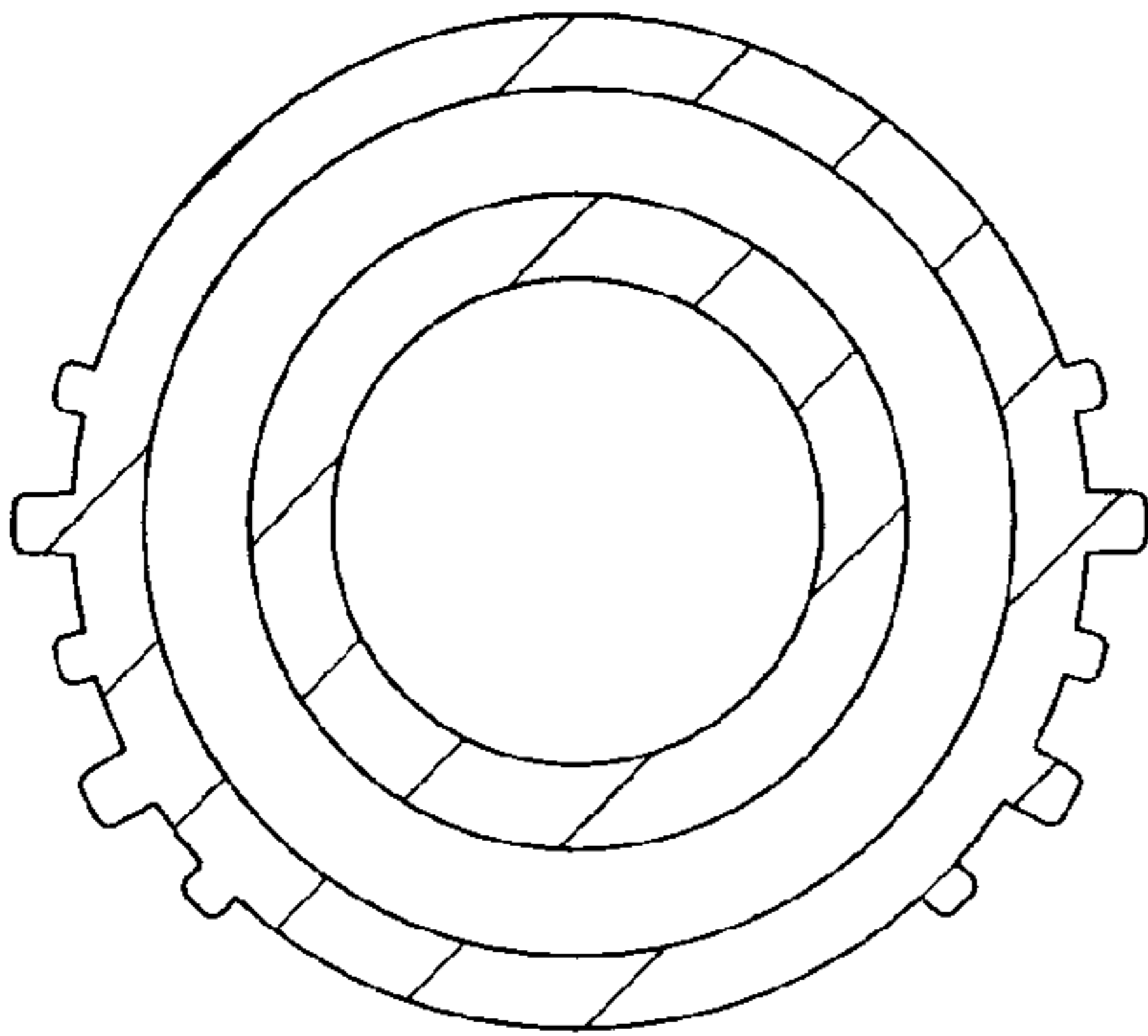


FIG. 8

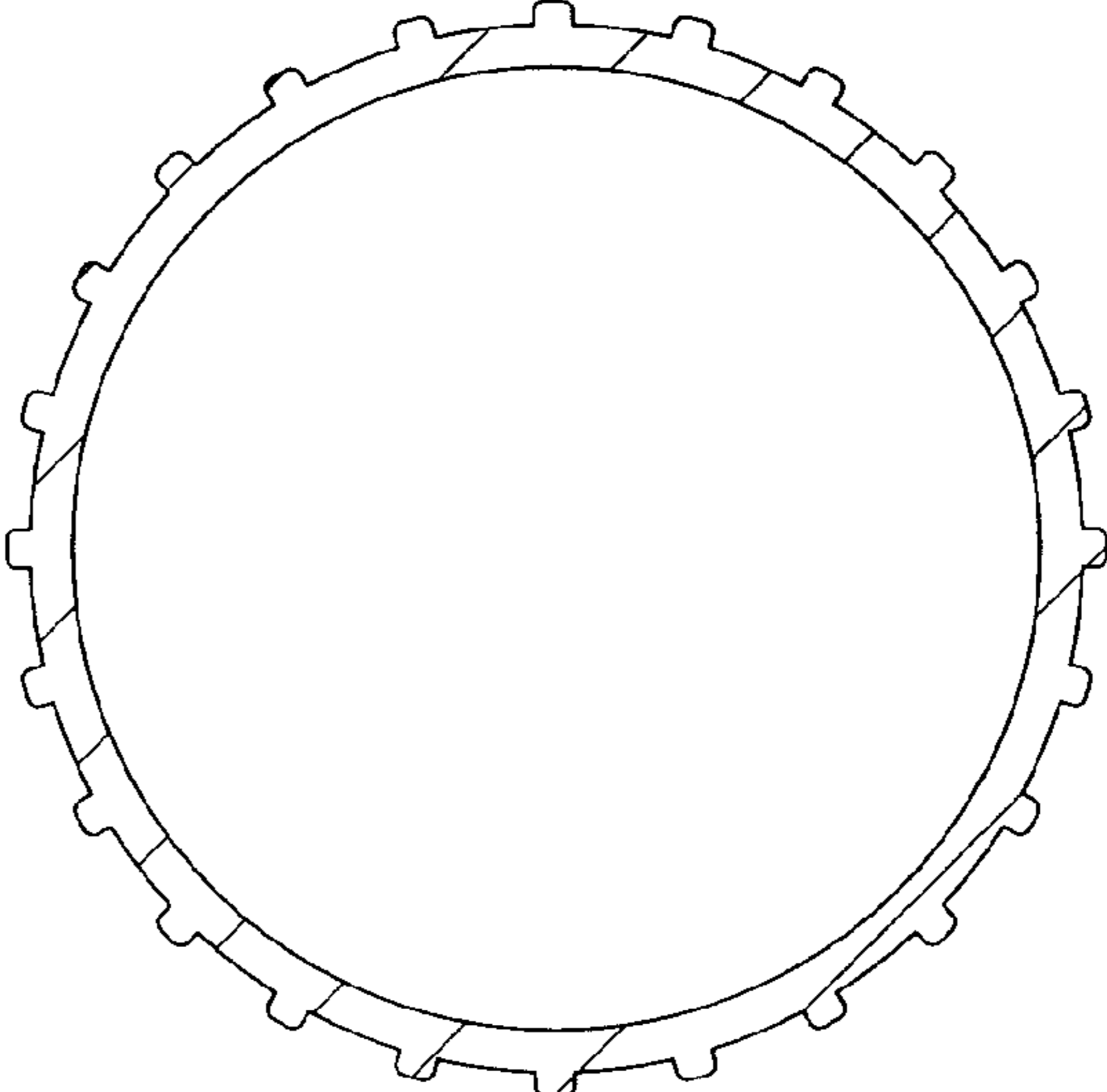


FIG. 9