



US00D586851S

(12) **United States Design Patent**
Lapsker

(10) **Patent No.:** **US D586,851 S**

(45) **Date of Patent:** **** Feb. 17, 2009**

(54) **PORTFOLIO**

(75) Inventor: **Joshua Lapsker**, Christ Church (BB)
(73) Assignee: **Calypso International Inc.**, St. Michael, Bridgetown (BB)
(**) Term: **14 Years**
(21) Appl. No.: **29/301,755**
(22) Filed: **Mar. 14, 2008**

D447,170 S * 8/2001 Wolff et al. D19/26
D499,761 S * 12/2004 Walley et al. D19/26
D509,245 S * 9/2005 Ong D19/26
D523,078 S * 6/2006 Ong D19/26
D523,473 S * 6/2006 Regala D19/26
D526,018 S * 8/2006 Salander et al. D19/26
D534,952 S * 1/2007 Wittmeyer, Jr. D19/26
D546,878 S * 7/2007 Bharna D19/26
D557,739 S * 12/2007 Bharna D19/26
D558,267 S * 12/2007 Bharna D19/26
D570,409 S * 6/2008 Smith et al. D19/26
D573,638 S * 7/2008 Takaghi D19/26

* cited by examiner

(51) **LOC (9) Cl.** **19-04**
(52) **U.S. Cl.** **D19/26**
(58) **Field of Classification Search** D3/301, D3/289, 287, 285, 284, 276, 267, 206, 268; D9/417, 423, 424, 430; D19/86, 88, 26, D19/27; D6/631, 632, 633; 383/4, 10; 224/651, 224/652; 206/320; 190/111, 117, 114, 115
See application file for complete search history.

Primary Examiner—Cathron C Brooks
Assistant Examiner—Austin Murphy
(74) *Attorney, Agent, or Firm*—Hodgson Russ LLP

(57) **CLAIM**

The ornamental design for a portfolio, as shown and described.

(56) **References Cited**

U.S. PATENT DOCUMENTS

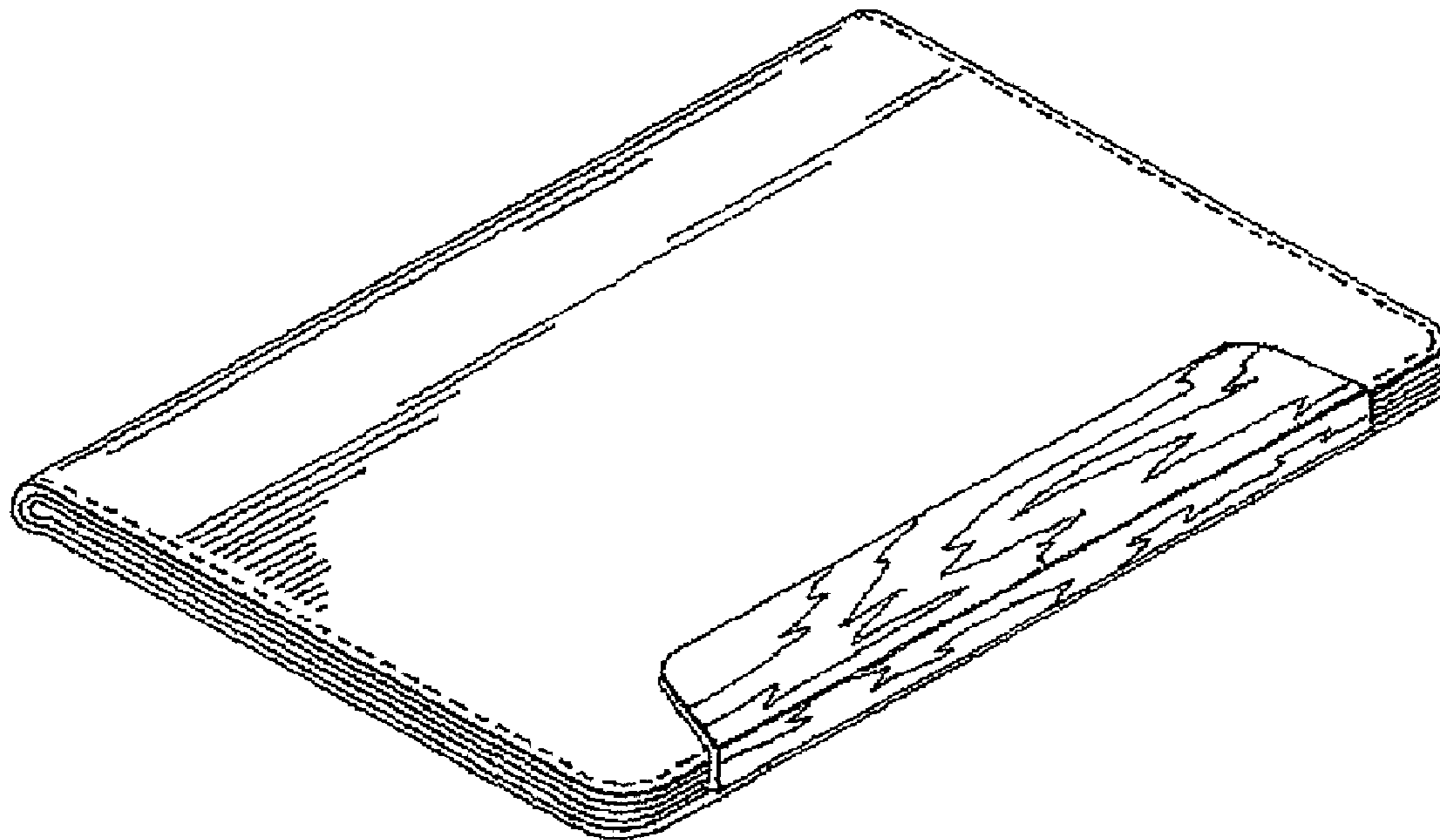
273,301 A * 3/1883 McCleery 24/67.9
D29,519 S * 10/1898 Schwartz D19/26
1,478,219 A * 12/1923 Hammitt 24/67.3
D118,194 S * 12/1939 Trussell D19/26
D118,195 S * 12/1939 Trussell D19/26
D129,375 S * 9/1941 Guild D19/26
2,718,229 A * 9/1955 Gregory 402/19
D242,343 S * 11/1976 Testro D19/26
4,364,984 A * 12/1982 Wentworth 428/106
D319,729 S * 9/1991 Kogutt D3/299
D325,393 S * 4/1992 Schertz et al. D19/26
D328,470 S * 8/1992 Costello et al. D19/26
D374,037 S * 9/1996 Wyant et al. D19/26
D429,497 S * 8/2000 Wyant D19/26

DESCRIPTION

FIG. 1 is a perspective view of the portfolio showing my new design;
FIG. 2 is a top plan view thereof;
FIG. 3 is a bottom plan view thereof;
FIG. 4 is a rear elevational view thereof;
FIG. 5 is a front elevational view thereof;
FIG. 6 is a right-hand side elevational view thereof; and,
FIG. 7 is a left-hand side elevational view thereof.

The dashed lines shown in FIGS. 1, 2, 3 and 7 represent stitching. These dashed lines form part of the claimed design.

1 Claim, 4 Drawing Sheets



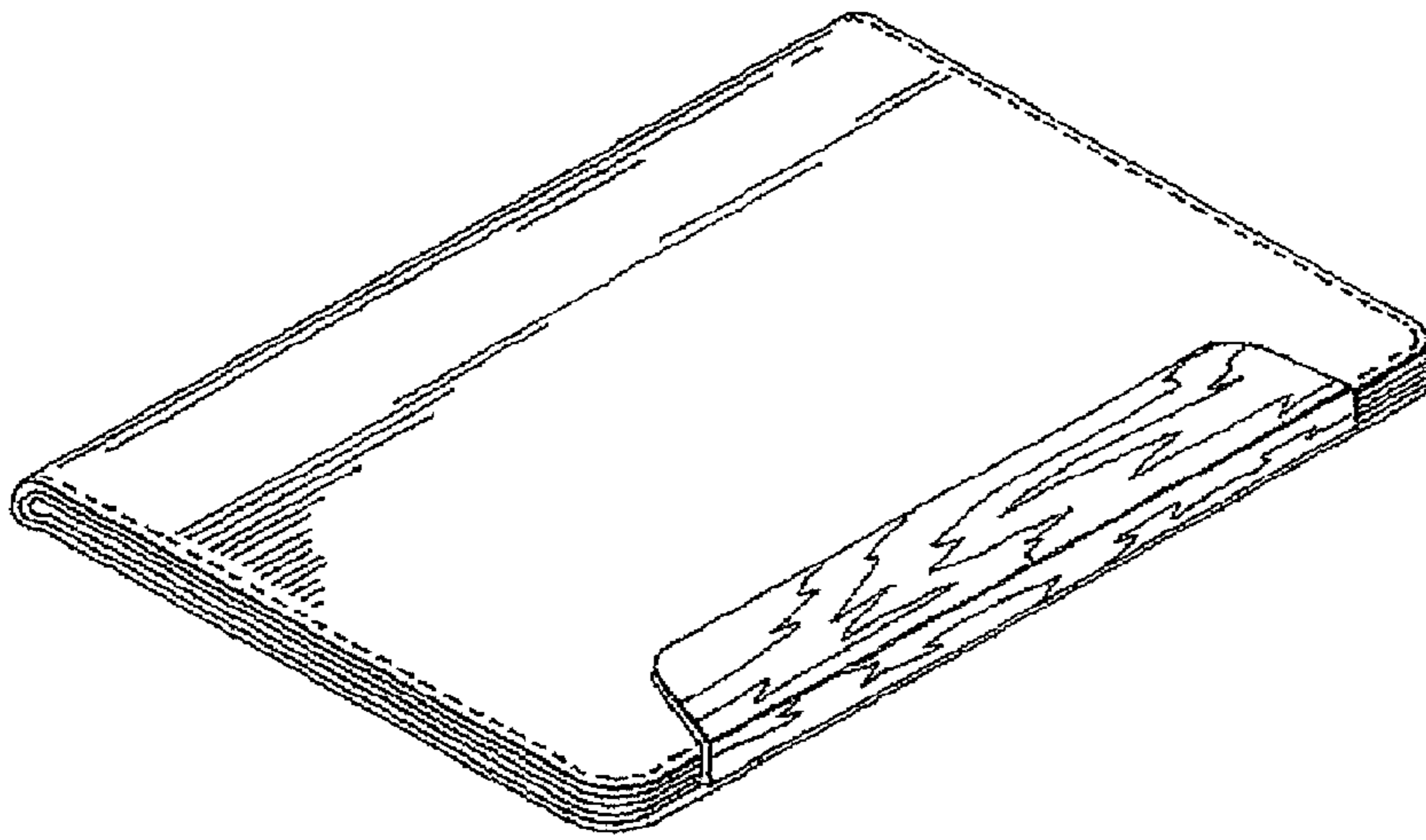
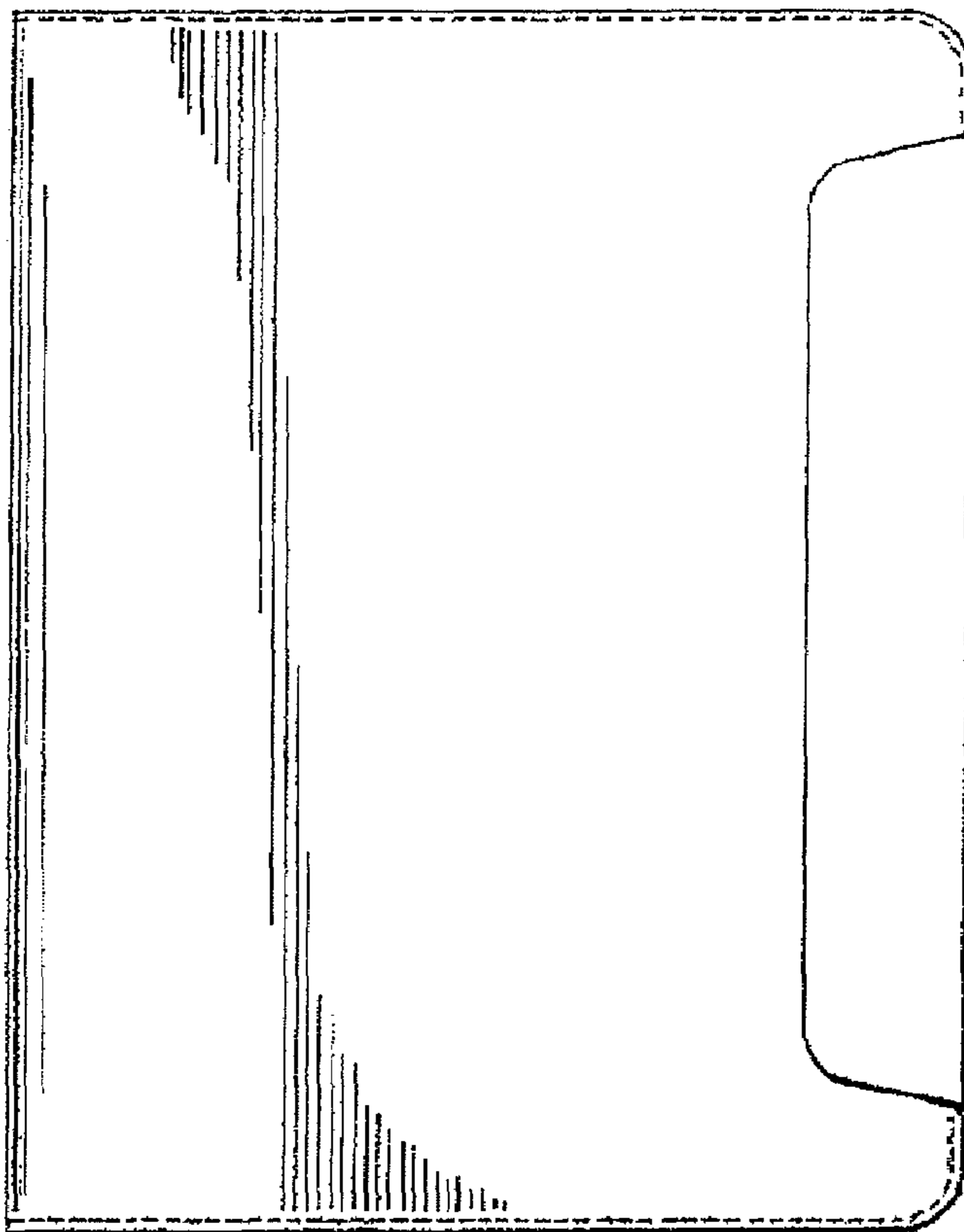


FIG. 1

FIG. 2



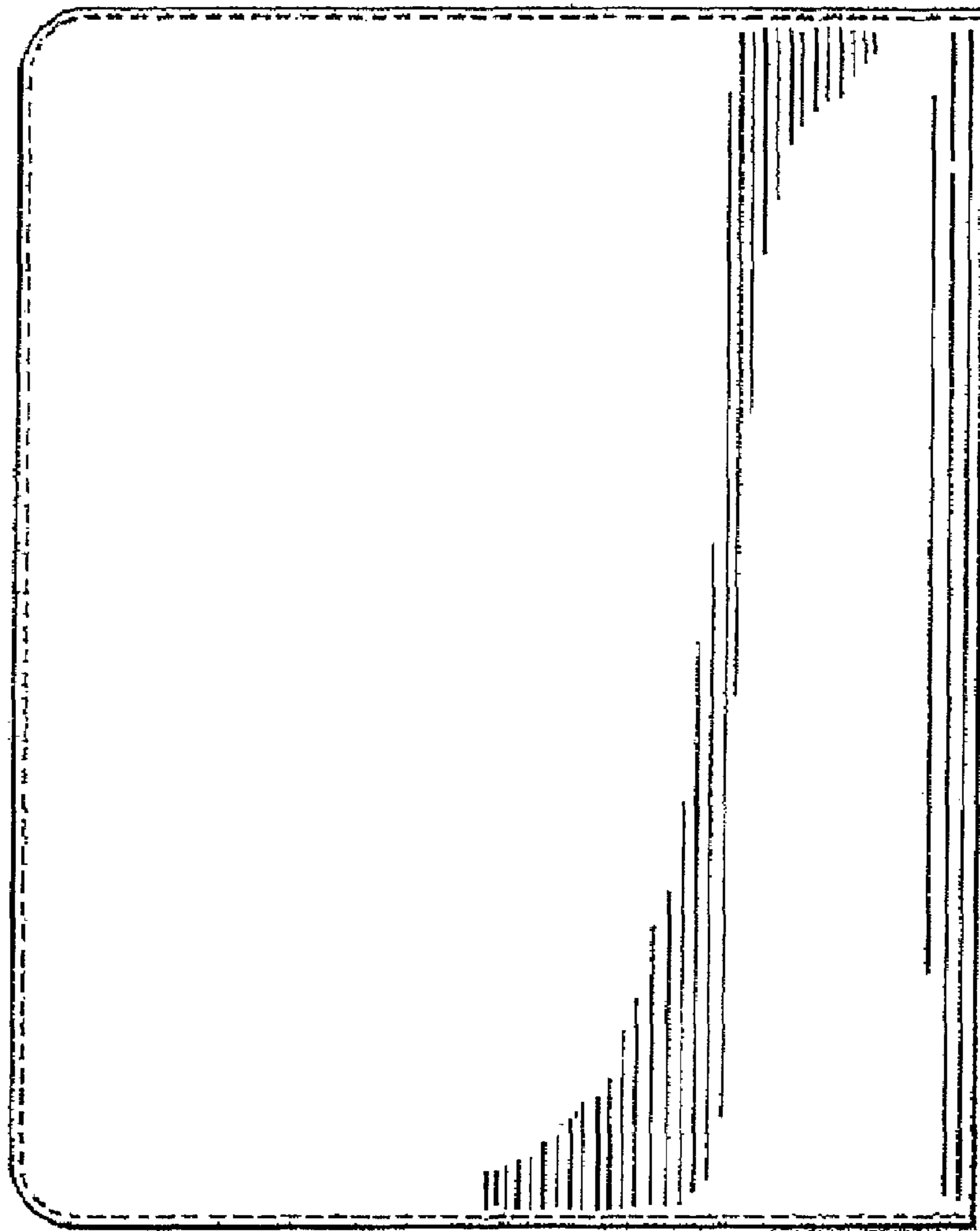


FIG. 3

FIG. 4

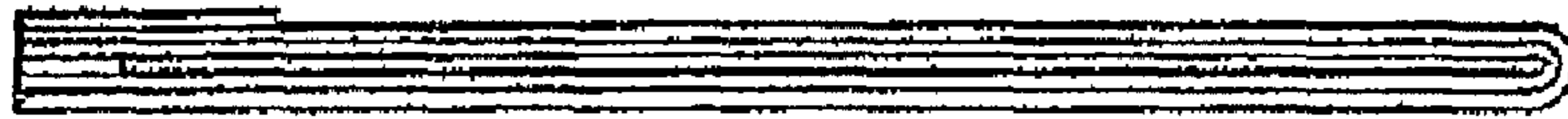


FIG. 5

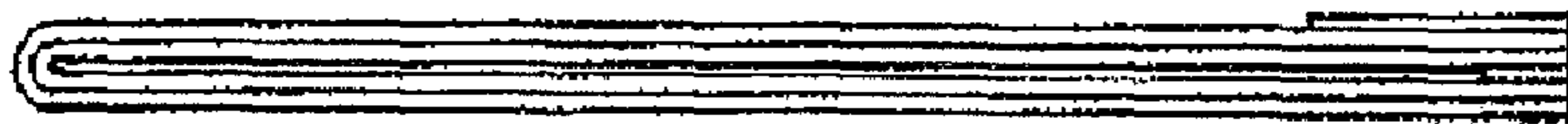


FIG. 6

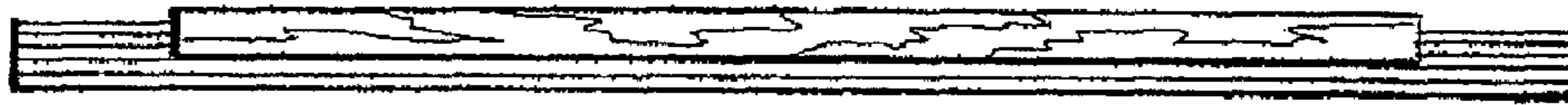


FIG. 7

