



US00D586849S

(12) **United States Design Patent**  
**Nozawa et al.**

(10) **Patent No.:** **US D586,849 S**  
(45) **Date of Patent:** **\*\* Feb. 17, 2009**

(54) **INK CARTRIDGE**

(75) Inventors: **Izumi Nozawa**, Matsumoto (JP);  
**Hitoshi Kimura**, Matsumoto (JP)

(73) Assignee: **Seiko Epson Corporation** (JP)

(\*\*) Term: **14 Years**

(21) Appl. No.: **29/292,531**

(22) Filed: **Oct. 15, 2007**

(30) **Foreign Application Priority Data**

Apr. 18, 2007	(JP)	.....	2007-010328
Apr. 18, 2007	(JP)	.....	2007-010330
Apr. 18, 2007	(JP)	.....	2007-010331
Apr. 18, 2007	(JP)	.....	2007-010332
Sep. 21, 2007	(JP)	.....	2007-025686

(51) **LOC (9) Cl.** ..... **18-02**

(52) **U.S. Cl.** ..... **D18/56; 347/86**

(58) **Field of Classification Search** ..... D18/12,  
D18/43, 56; 347/85-87  
See application file for complete search history.

(56) **References Cited**

**U.S. PATENT DOCUMENTS**

D464,672	S *	10/2002	Shinano et al.	.....	D18/56
D477,020	S *	7/2003	Seino	.....	D18/56
D489,757	S *	5/2004	Matsumoto	.....	D18/56
D522,049	S *	5/2006	Ishizawa et al.	.....	D18/56
D524,855	S *	7/2006	Ishizawa et al.	.....	D18/56
D529,954	S *	10/2006	Matsumoto	.....	D18/56
D538,338	S *	3/2007	Matsumoto	.....	D18/56
D573,180	S *	7/2008	Yoshino	.....	D18/56
2005/0036015	A1 *	2/2005	Seino et al.	.....	347/86
2007/0132820	A1 *	6/2007	Sato	.....	347/86
2008/0024572	A1 *	1/2008	Kimura et al.	.....	347/86

2008/0030558 A1\* 2/2008 Seino et al. .... 347/86

**FOREIGN PATENT DOCUMENTS**

JP 1253580 10/2005

\* cited by examiner

*Primary Examiner*—Cathy Anne MacCormac

(74) *Attorney, Agent, or Firm*—Harness, Dickey & Pierce, P.L.C.

(57) **CLAIM**

The ornamental design for an ink cartridge, as shown and described.

**DESCRIPTION**

FIG. 1 is a top front perspective view of an ink cartridge showing our new design;

FIG. 2 is a bottom front perspective view thereof;

FIG. 3 is a front view thereof;

FIG. 4 is a rear view thereof;

FIG. 5 is a top plan view thereof;

FIG. 6 is a bottom plan view thereof;

FIG. 7 is a right side elevational view thereof;

FIG. 8 is a left side elevational view thereof;

FIG. 9 is a top front perspective view of an ink cartridge according to a second embodiment of the present design;

FIG. 10 is a bottom front perspective view thereof;

FIG. 11 is a front view thereof;

FIG. 12 is a rear view thereof;

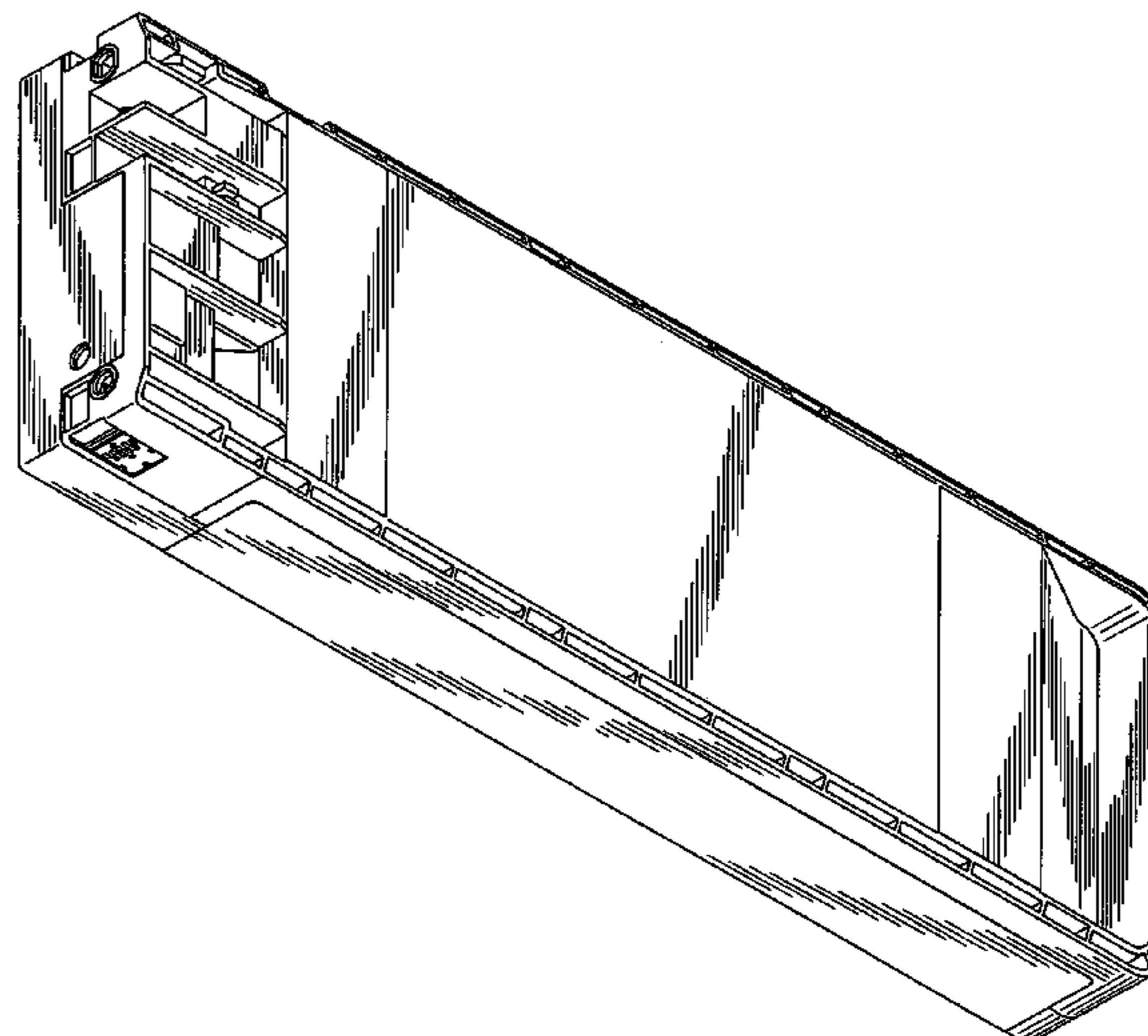
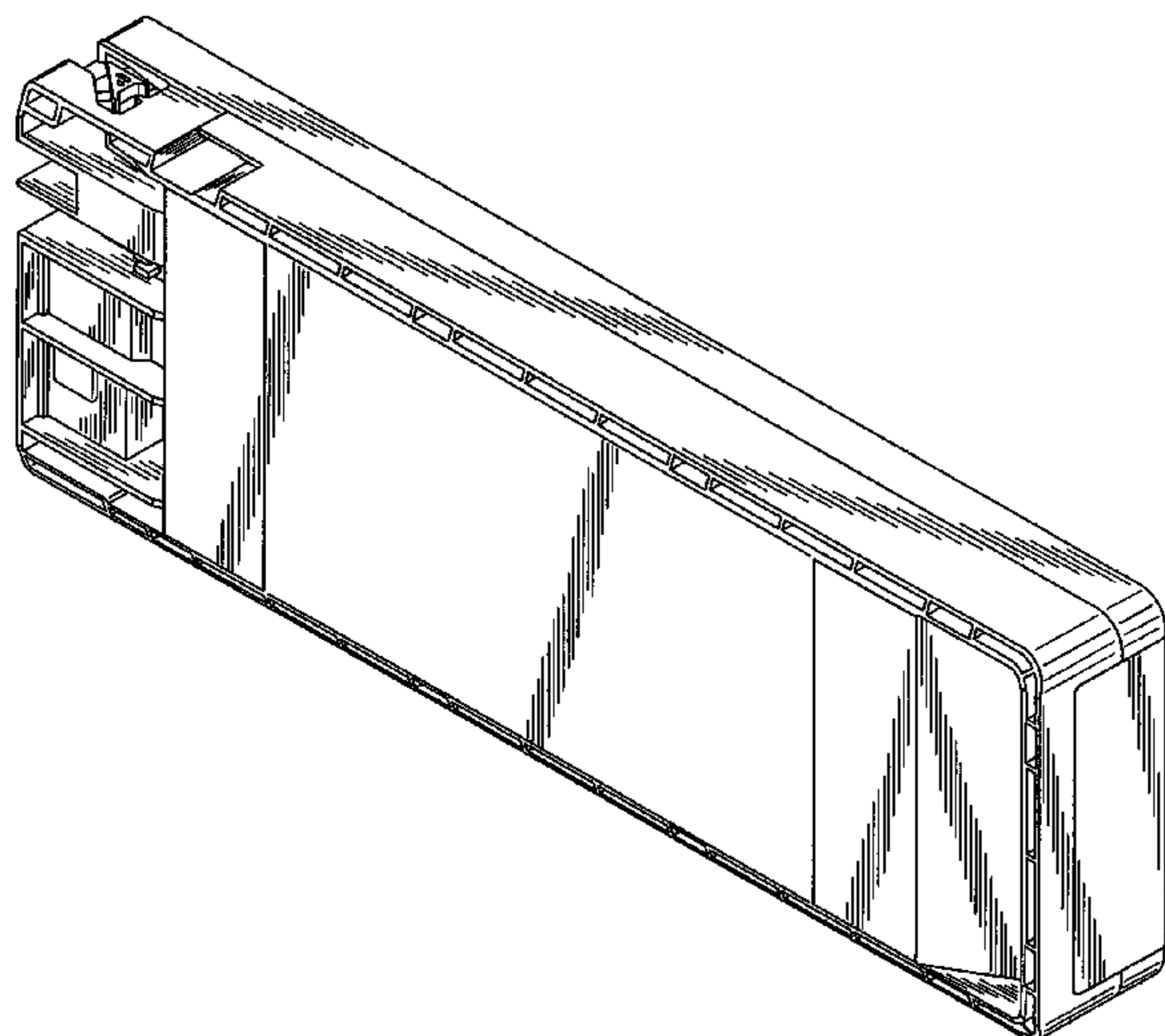
FIG. 13 is a top plan view thereof;

FIG. 14 is a bottom plan view thereof;

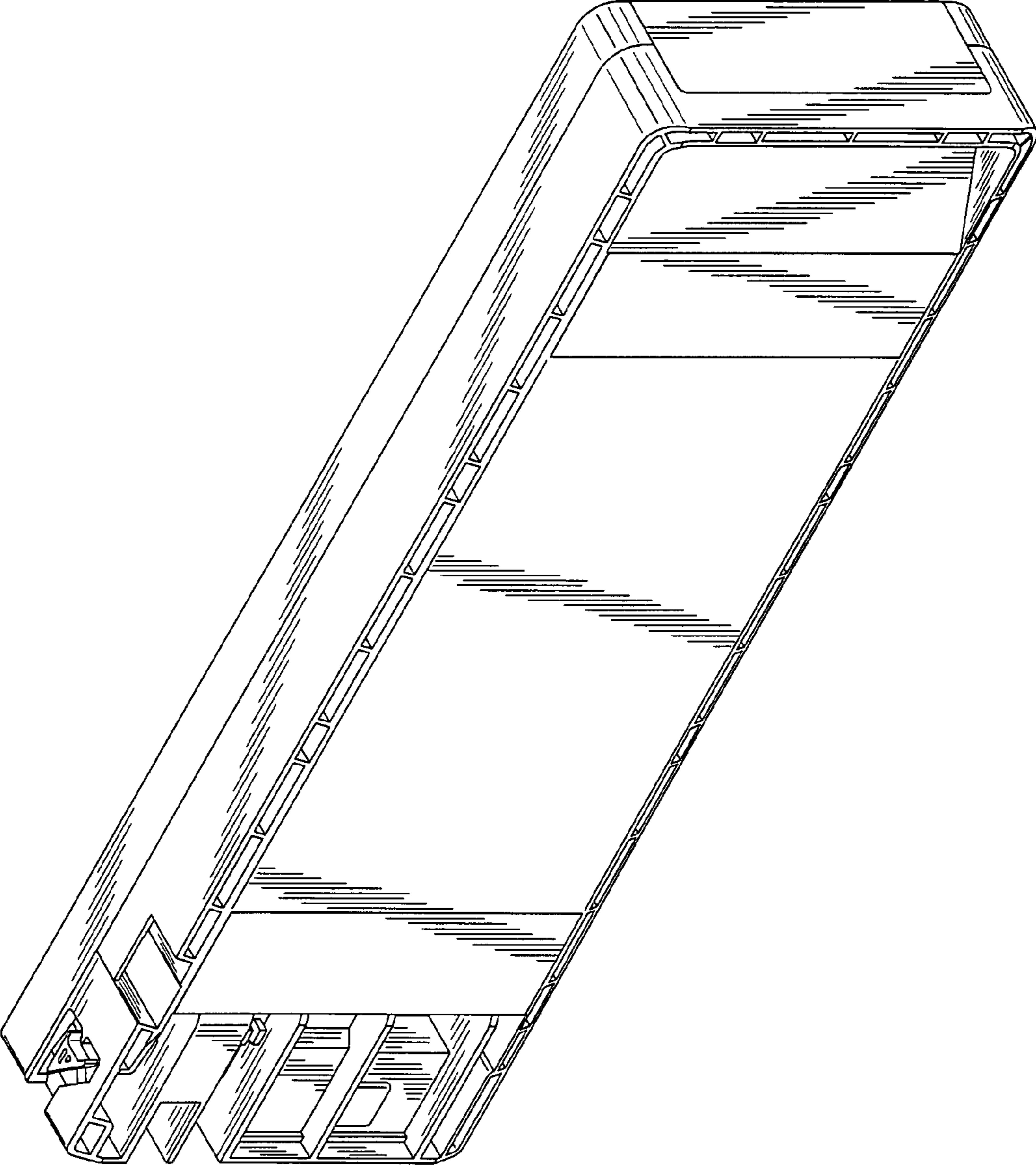
FIG. 15 is a right side elevational view thereof; and,

FIG. 16 is a left side elevational view thereof.

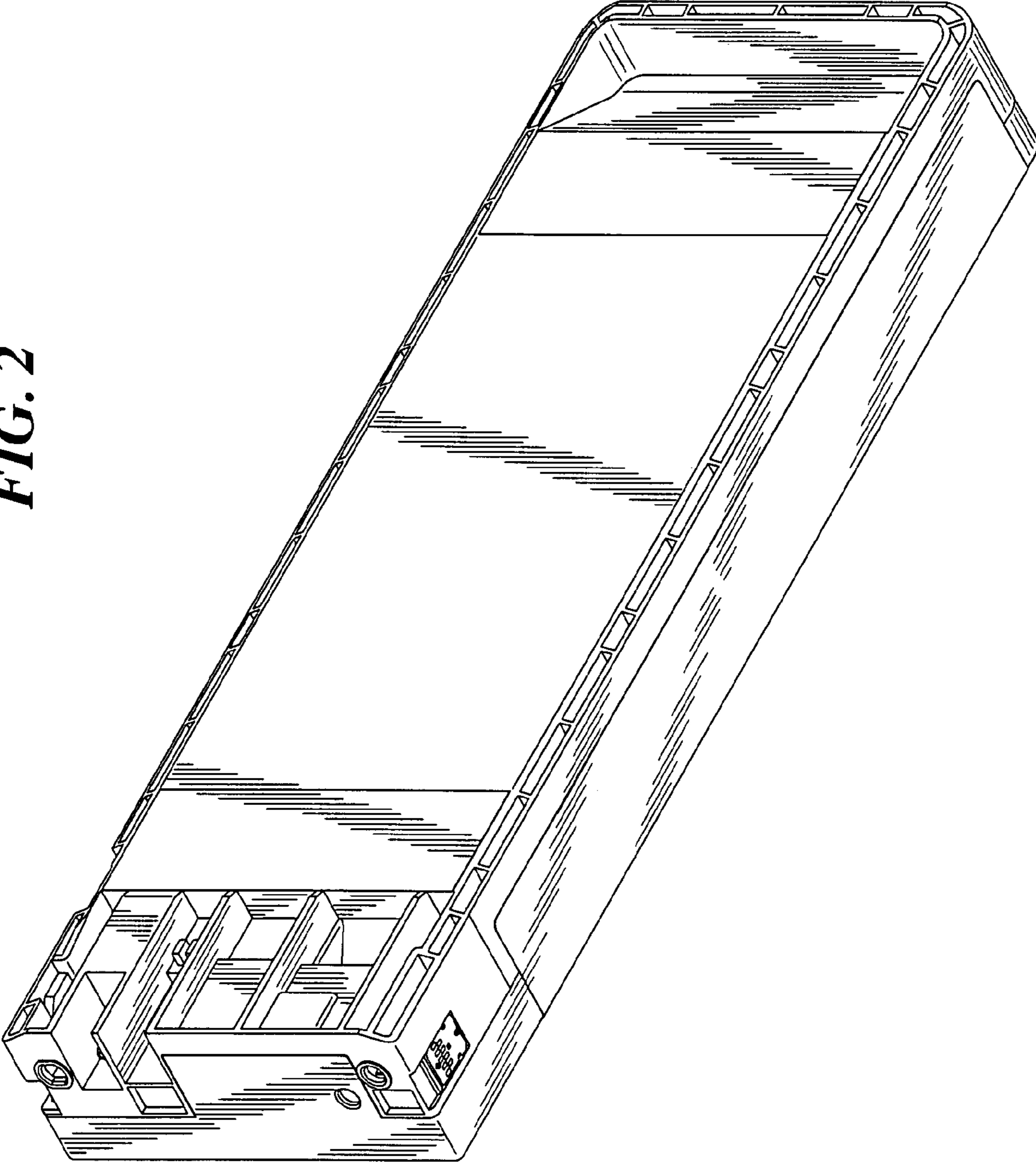
**1 Claim, 12 Drawing Sheets**



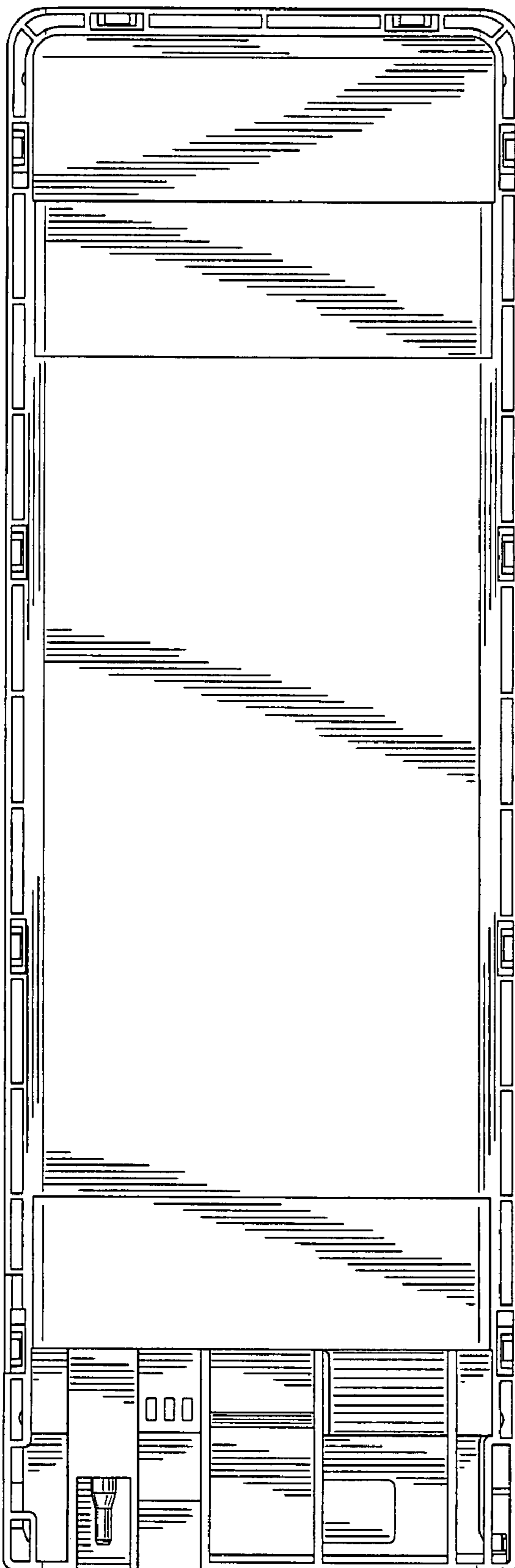
**FIG. 1**



*FIG. 2*

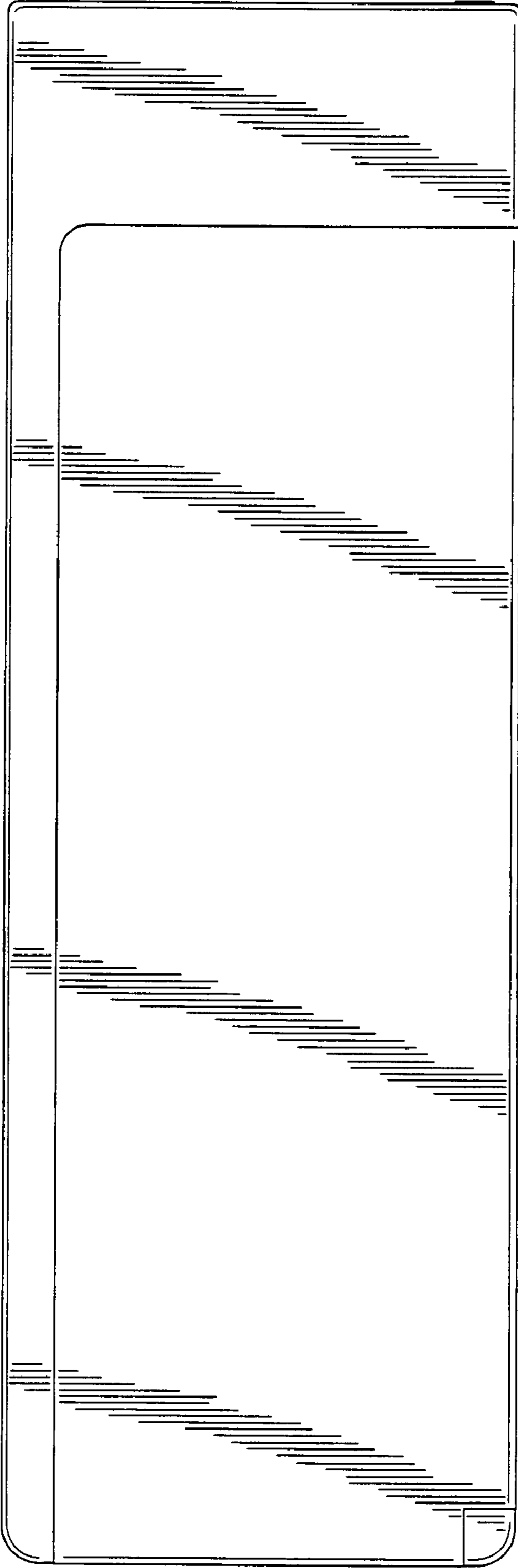


*FIG. 3*

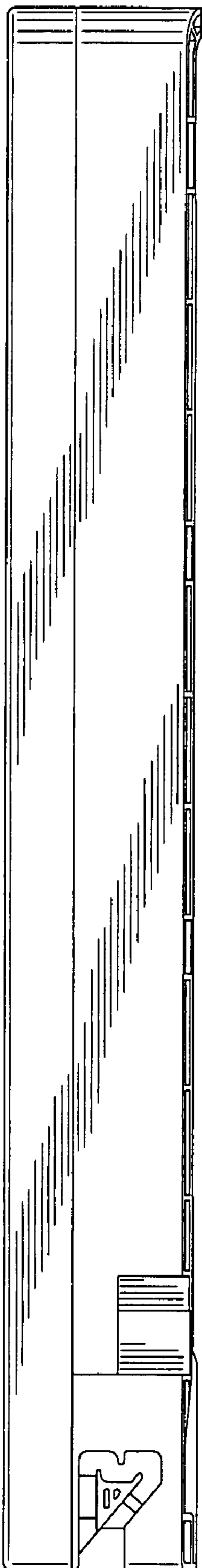




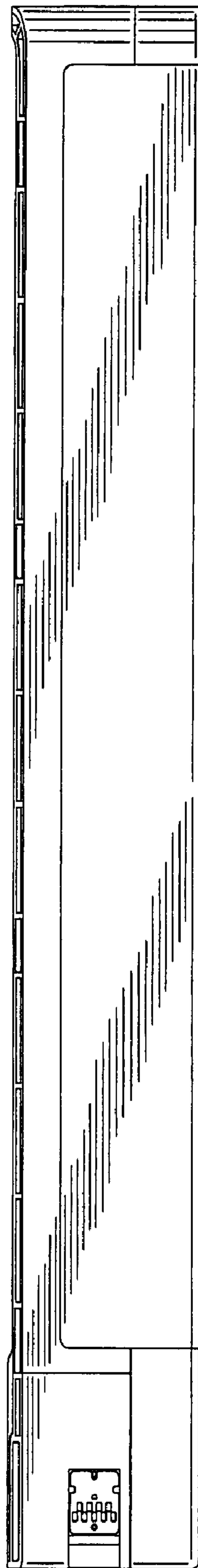
**FIG. 4**



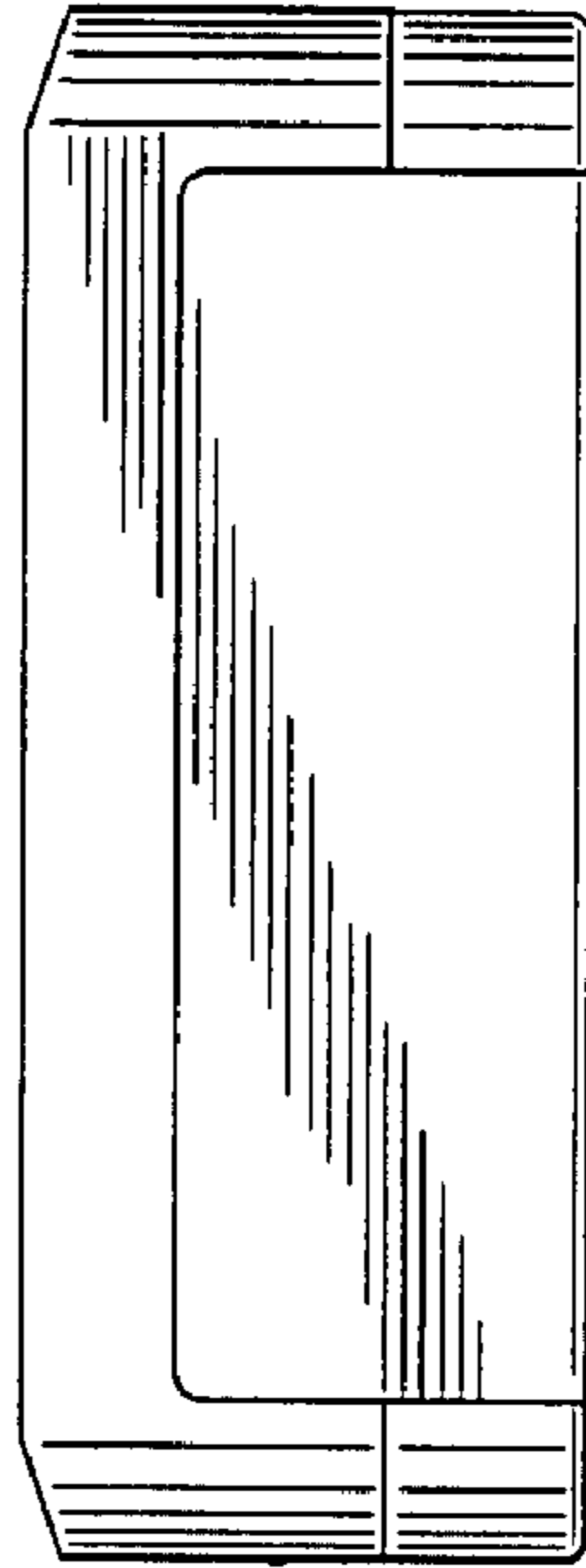
*FIG. 5*



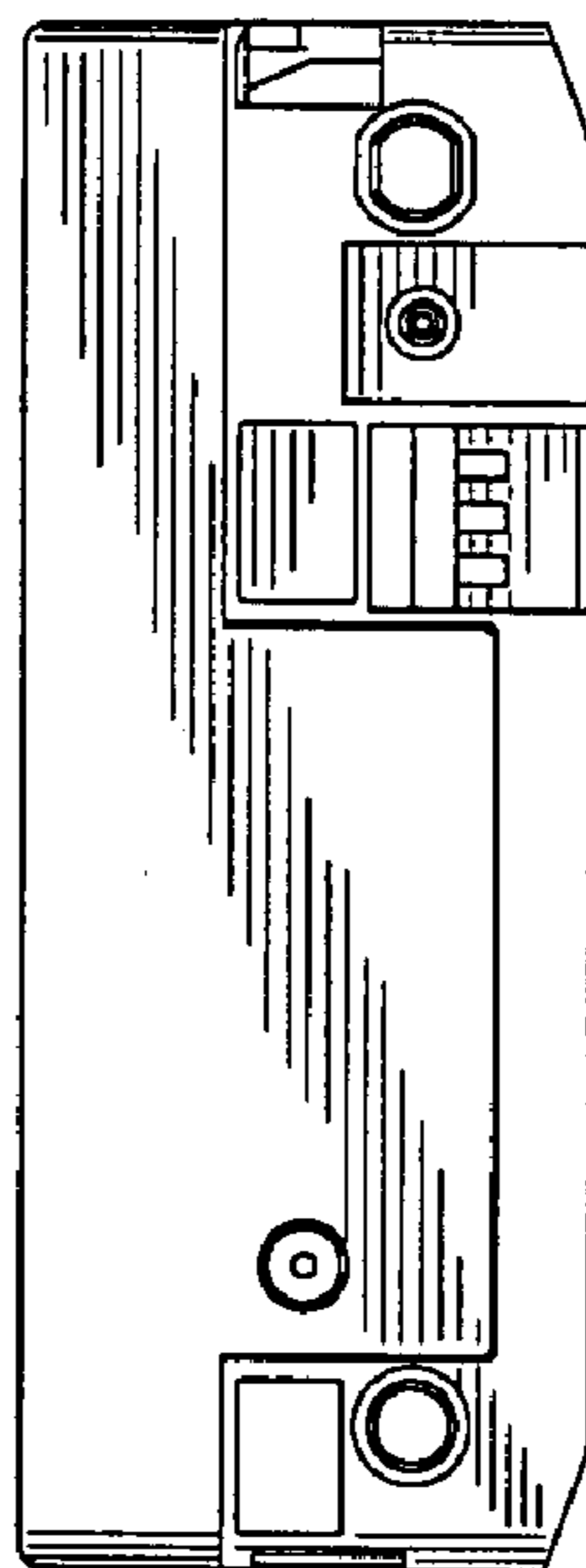
*FIG. 6*



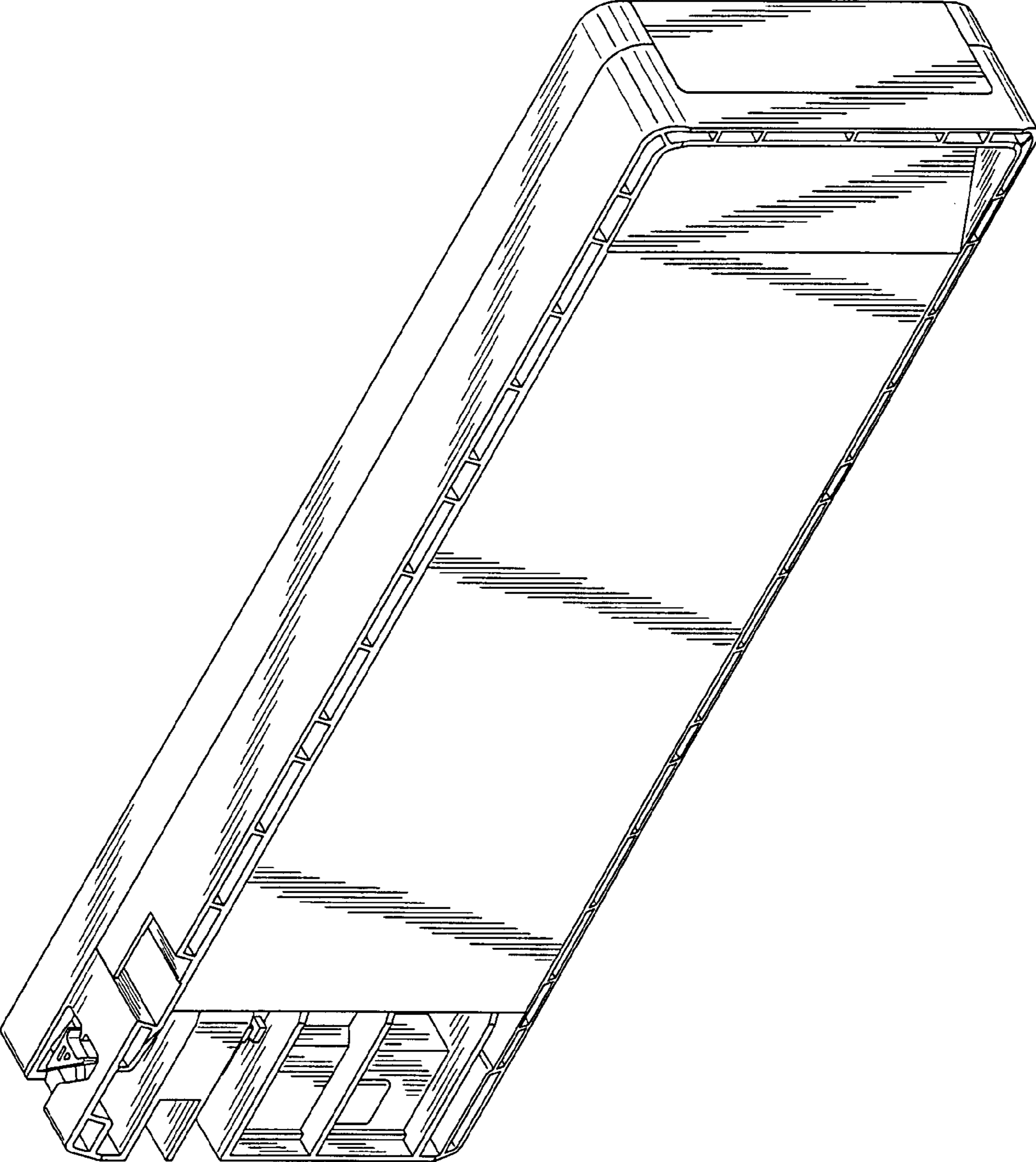
***FIG. 7***



***FIG. 8***

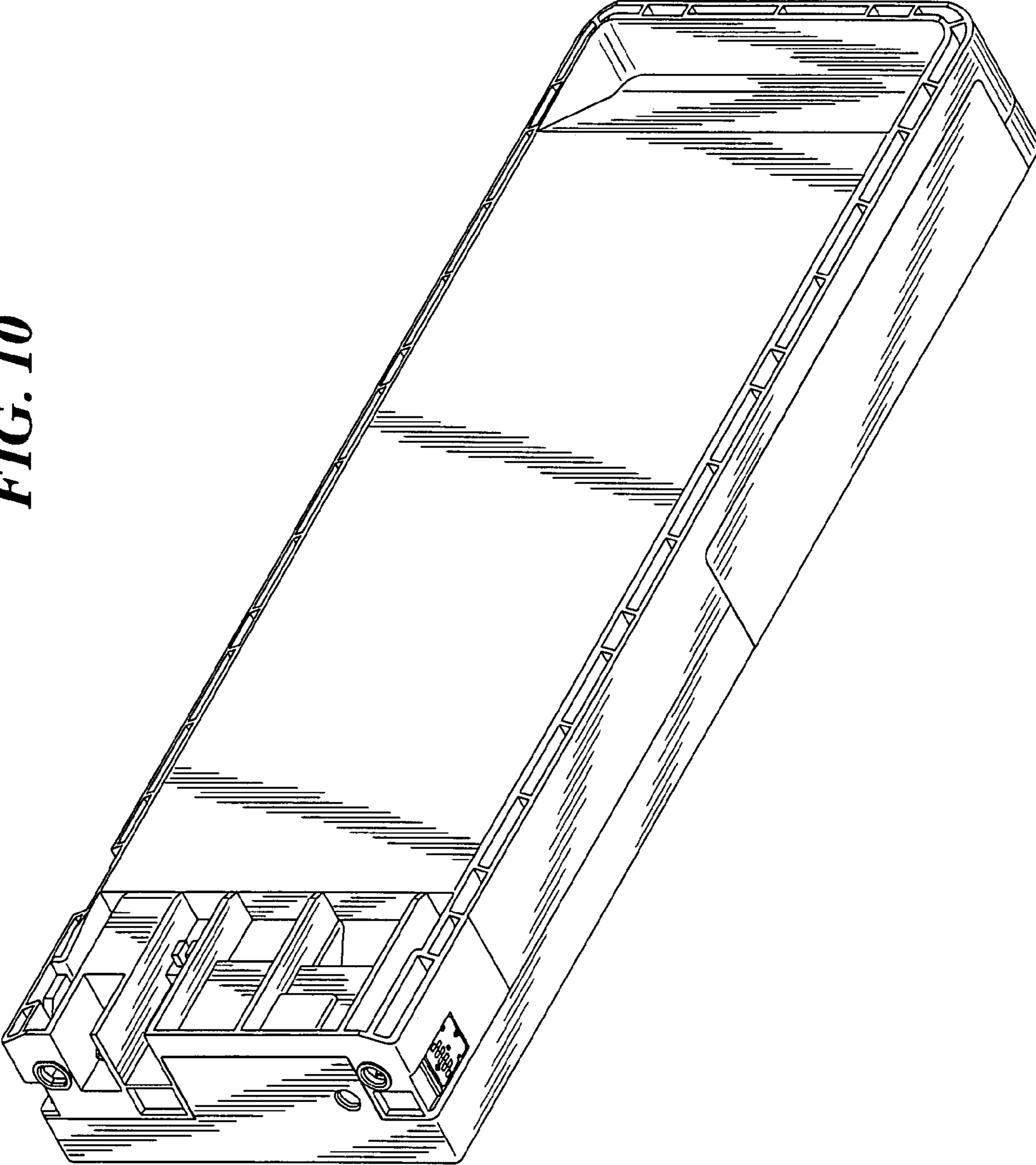


**FIG. 9**

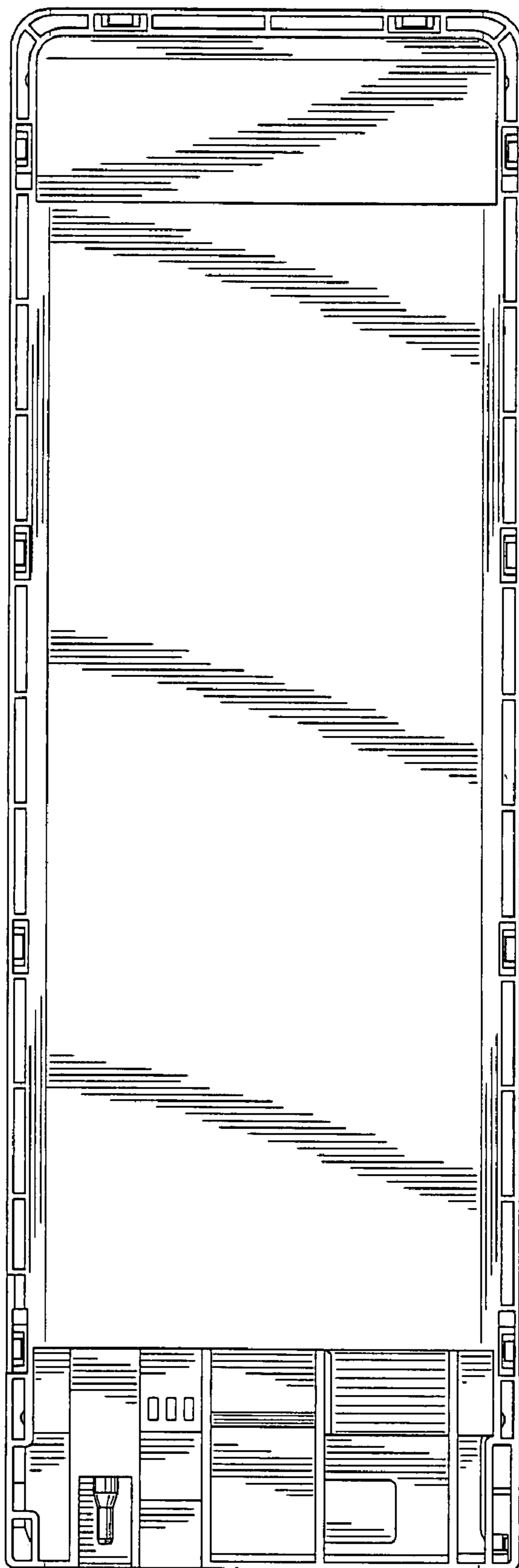




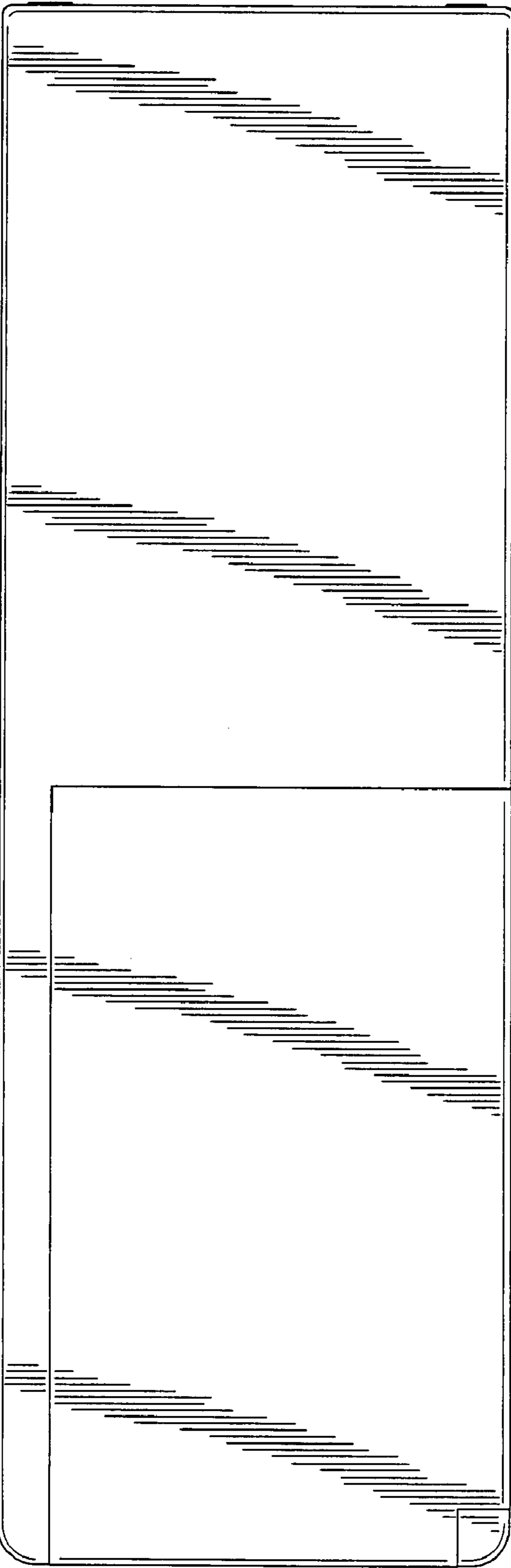
**FIG. 10**



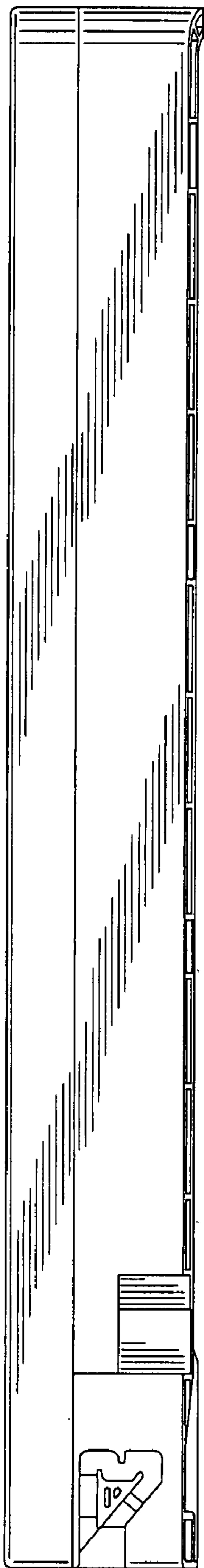
*FIG. 11*



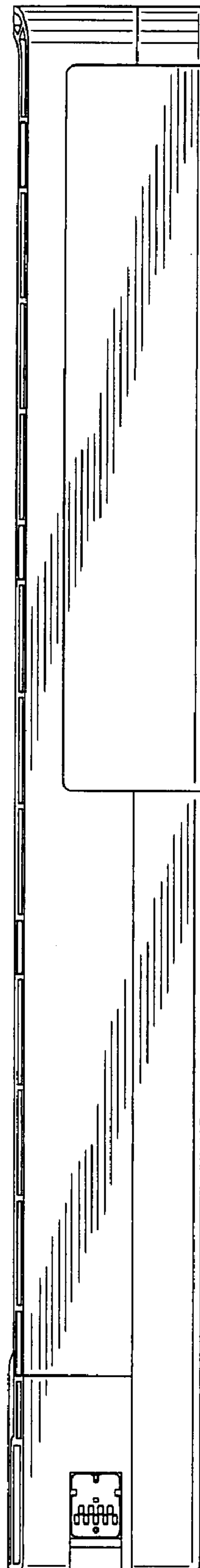
*FIG. 12*



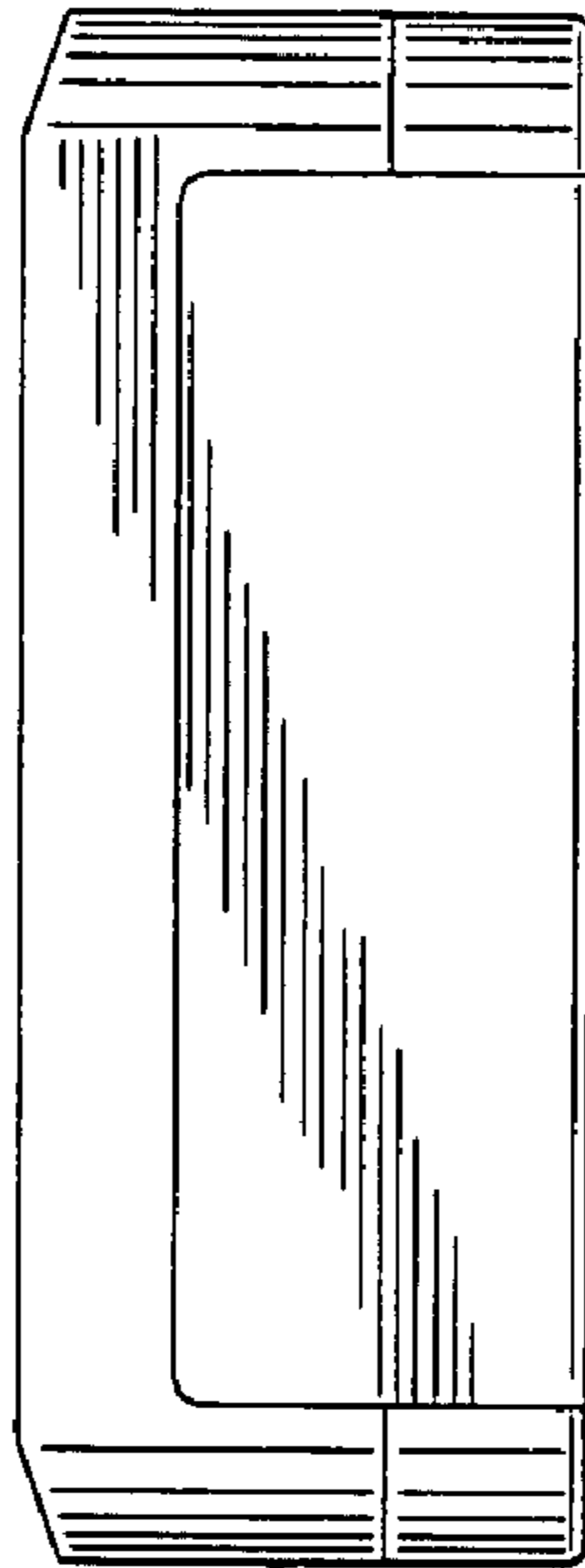
*FIG. 13*



*FIG. 14*



***FIG. 15***



***FIG. 16***

