



US00D586844S

(12) **United States Design Patent**
Shih

(10) **Patent No.:** **US D586,844 S**

(45) **Date of Patent:** **** Feb. 17, 2009**

(54) **STAMP**

(76) Inventor: **Shiny Shih**, No. 31, Lane 349,
Chungcheng S. Rd., Yungkang City,
Tainan Hsien (TW)

(**) Term: **14 Years**

(21) Appl. No.: **29/298,123**

(22) Filed: **Nov. 29, 2007**

(51) **LOC (9) Cl.** **19-02**

(52) **U.S. Cl.** **D18/15**

(58) **Field of Classification Search** D18/15,
D18/16, 17, 18, 50; 101/333, 334, 327, 328,
101/352.07, 405, 406; 118/264, 268
See application file for complete search history.

(56) **References Cited**

U.S. PATENT DOCUMENTS

| | | | | |
|--------------|---------|----------------|-------|--------|
| D101,469 S * | 10/1936 | Melid | | D18/15 |
| D101,470 S * | 10/1936 | Melind | | D18/15 |
| D400,566 S * | 11/1998 | Schreiberhuber | | D18/15 |
| D417,464 S * | 12/1999 | Skopek | | D18/15 |

| | | | | |
|----------------|--------|-------|-------|---------|
| 7,024,994 B2 * | 4/2006 | Dour | | 101/333 |
| D538,328 S * | 3/2007 | Faber | | D18/15 |
| D540,848 S * | 4/2007 | Faber | | D18/15 |
| D542,335 S * | 5/2007 | Faber | | D18/15 |
| D542,835 S * | 5/2007 | Faber | | D18/15 |

* cited by examiner

Primary Examiner—Charles A Rademaker

(74) *Attorney, Agent, or Firm*—Rabin & Berdo, P.C.

(57) **CLAIM**

The ornamental design for a stamp, as shown and described.

DESCRIPTION

FIG. 1 is a perspective view of a stamp, showing my new design;

FIG. 2 is a front view thereof;

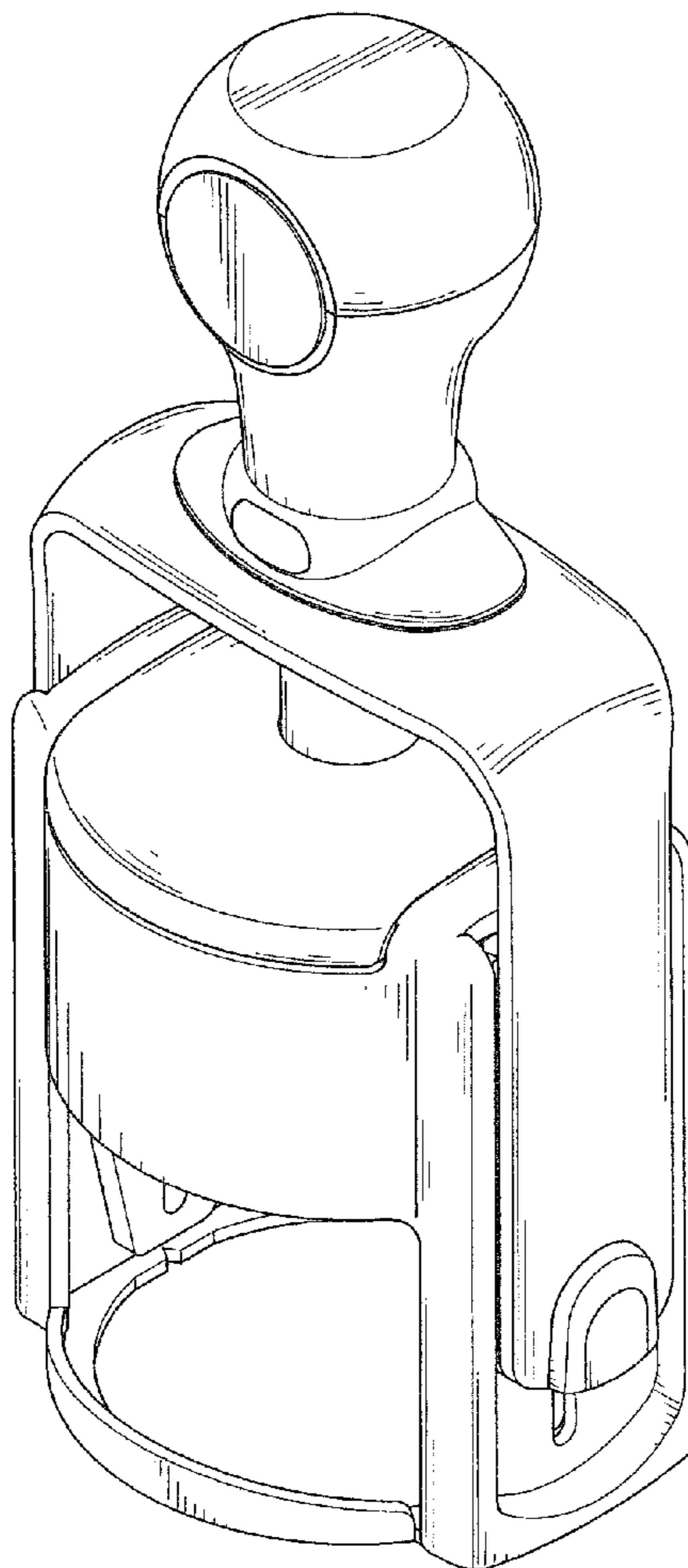
FIG. 3 is a rear view thereof;

FIG. 4 is a left view thereof;

FIG. 5 is a right view thereof; and,

FIG. 6 is a top view thereof.

1 Claim, 5 Drawing Sheets



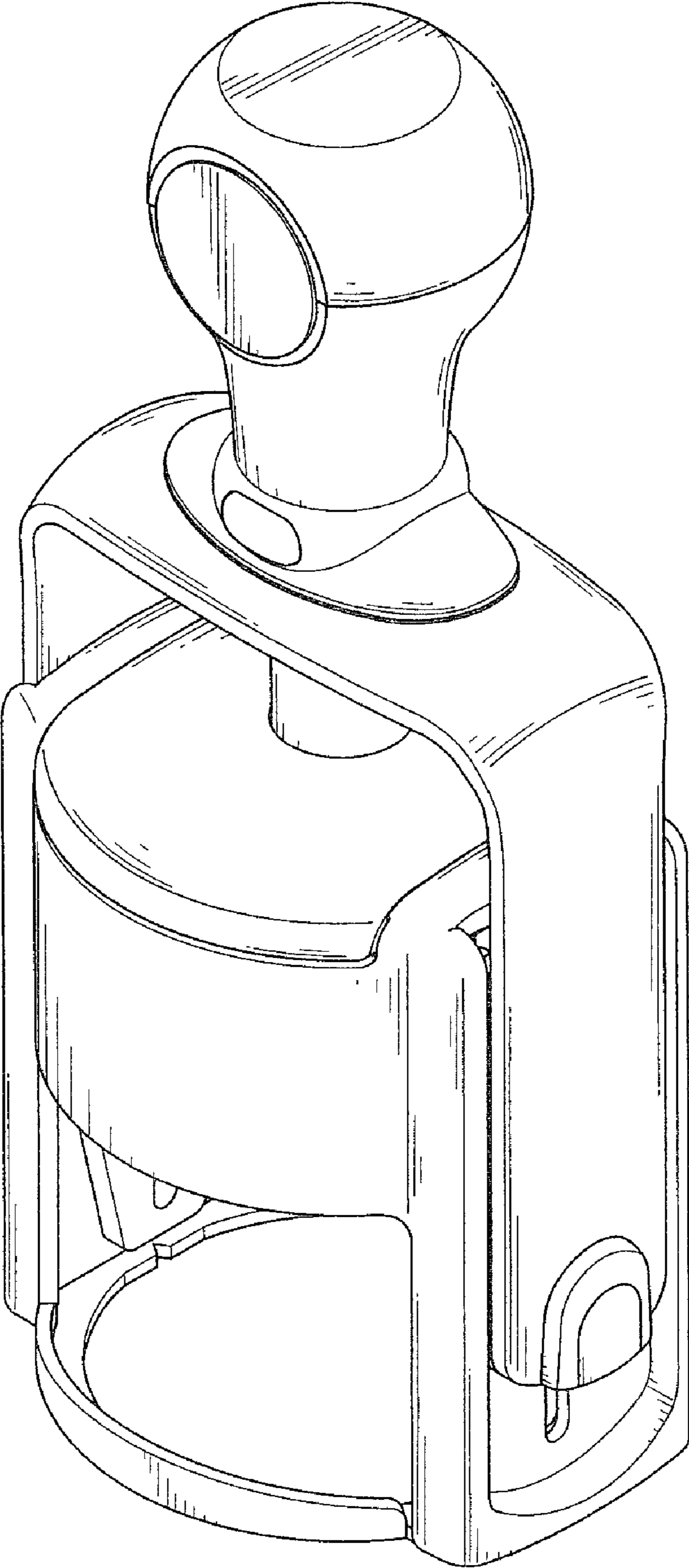


FIG. 1

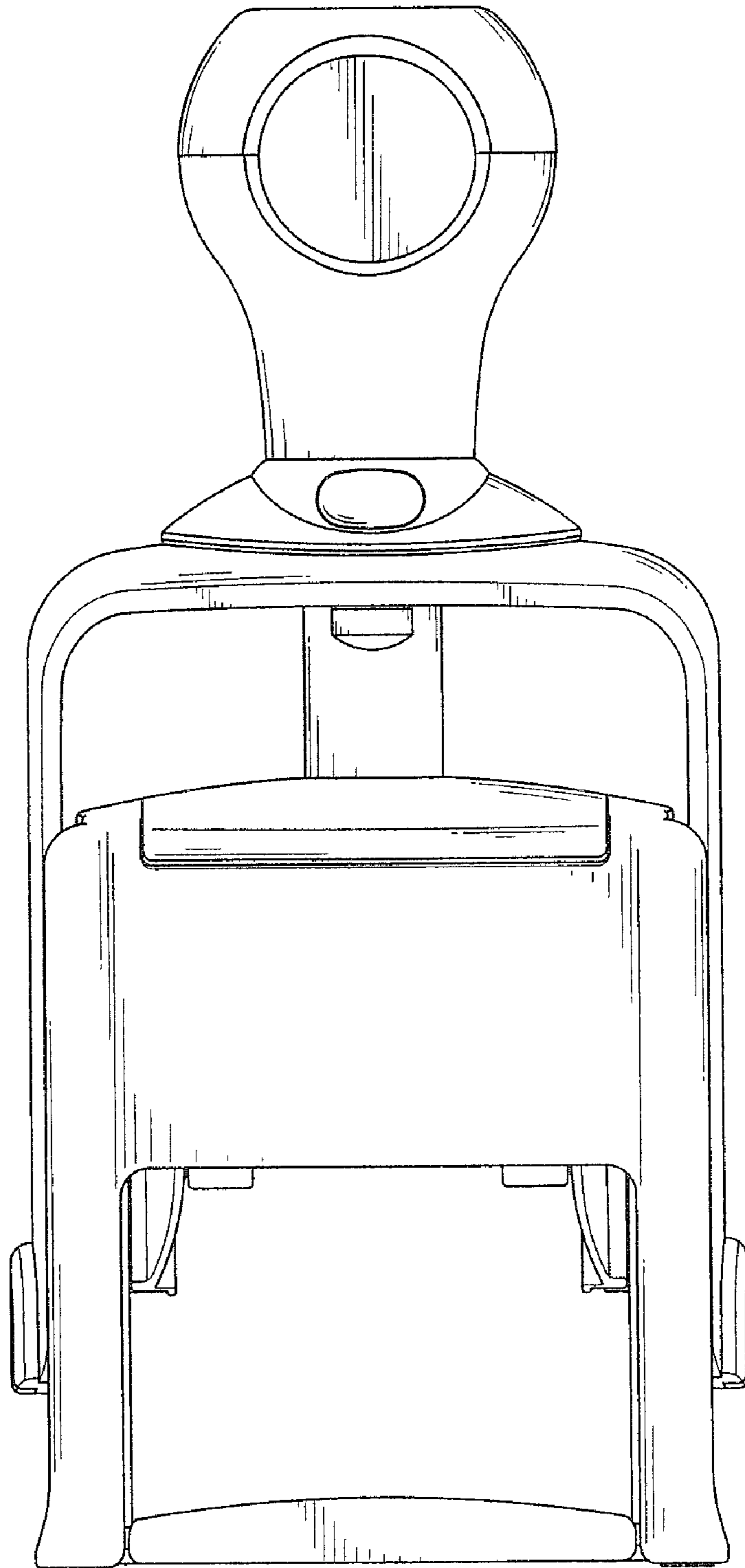


FIG.2

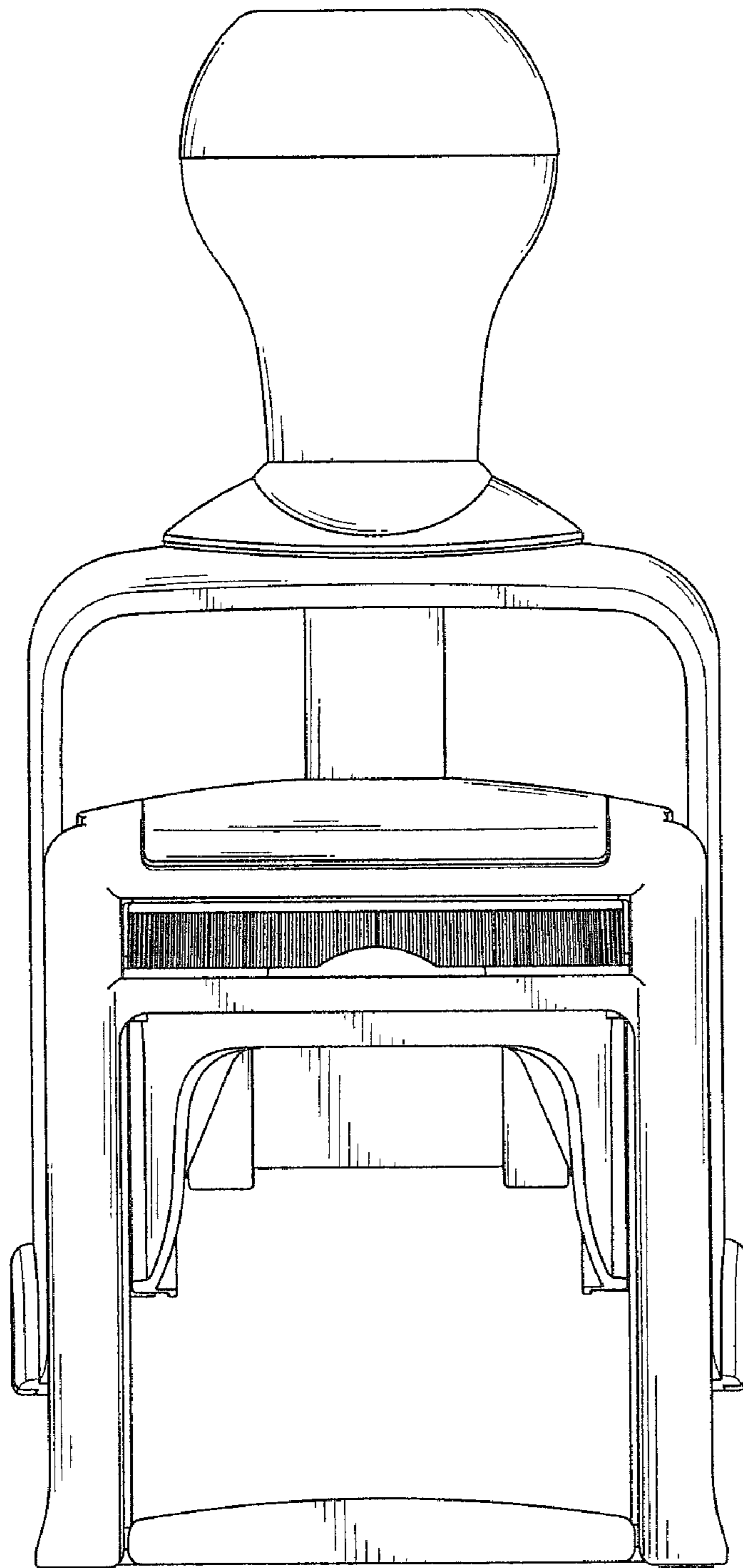


FIG. 3

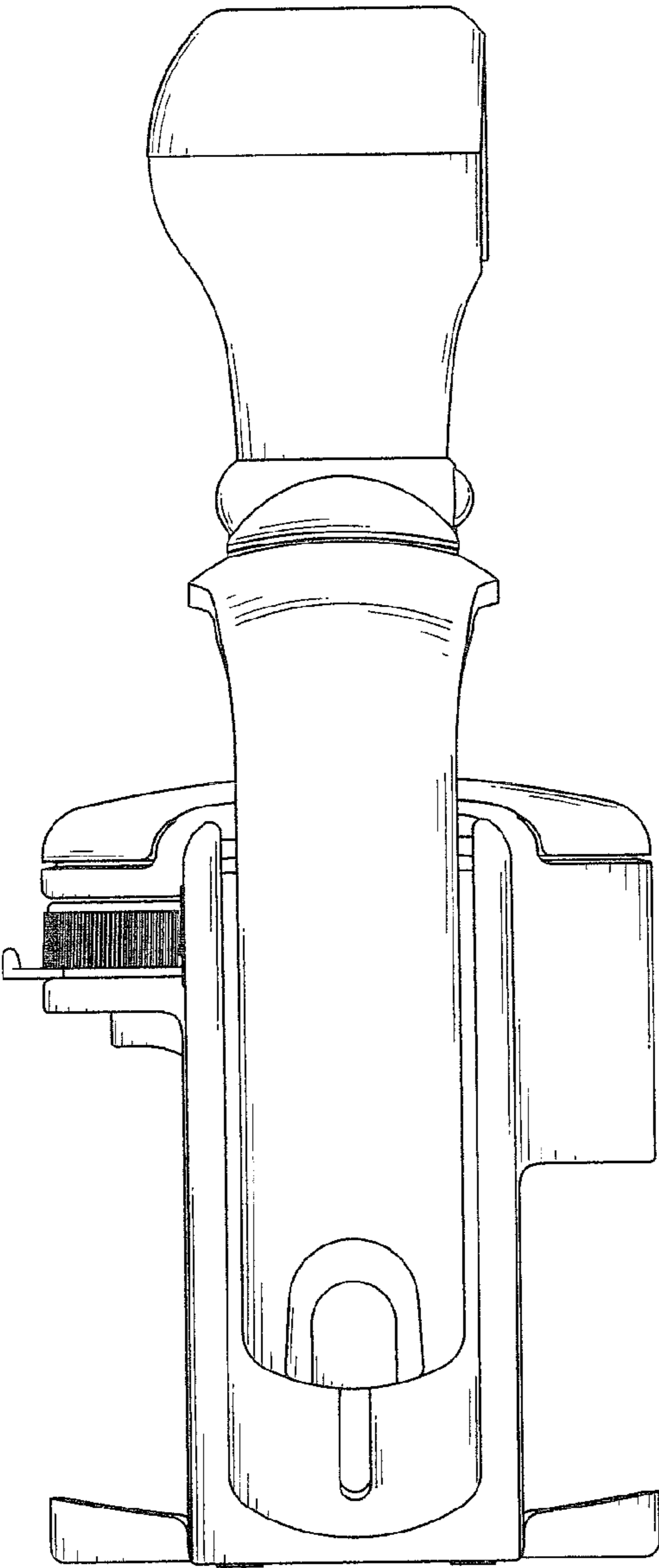


FIG. 4

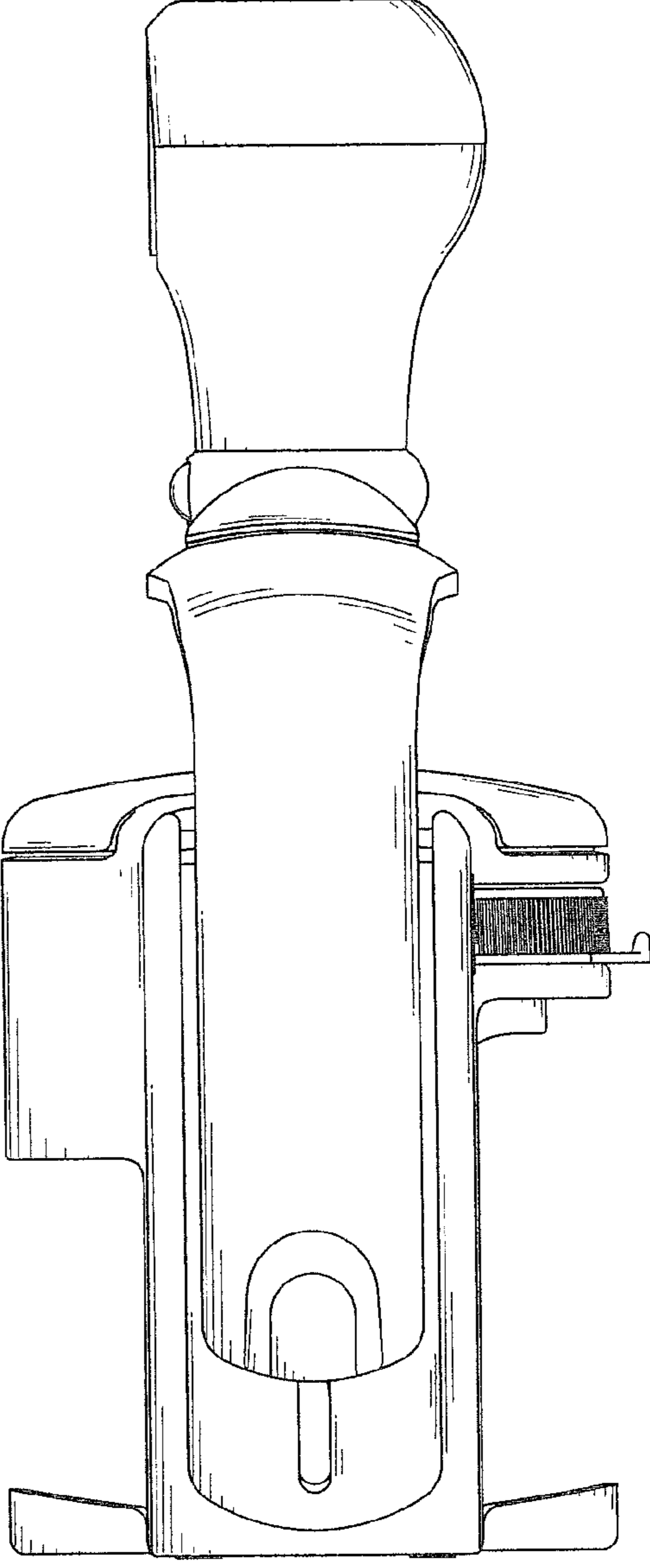


FIG. 5

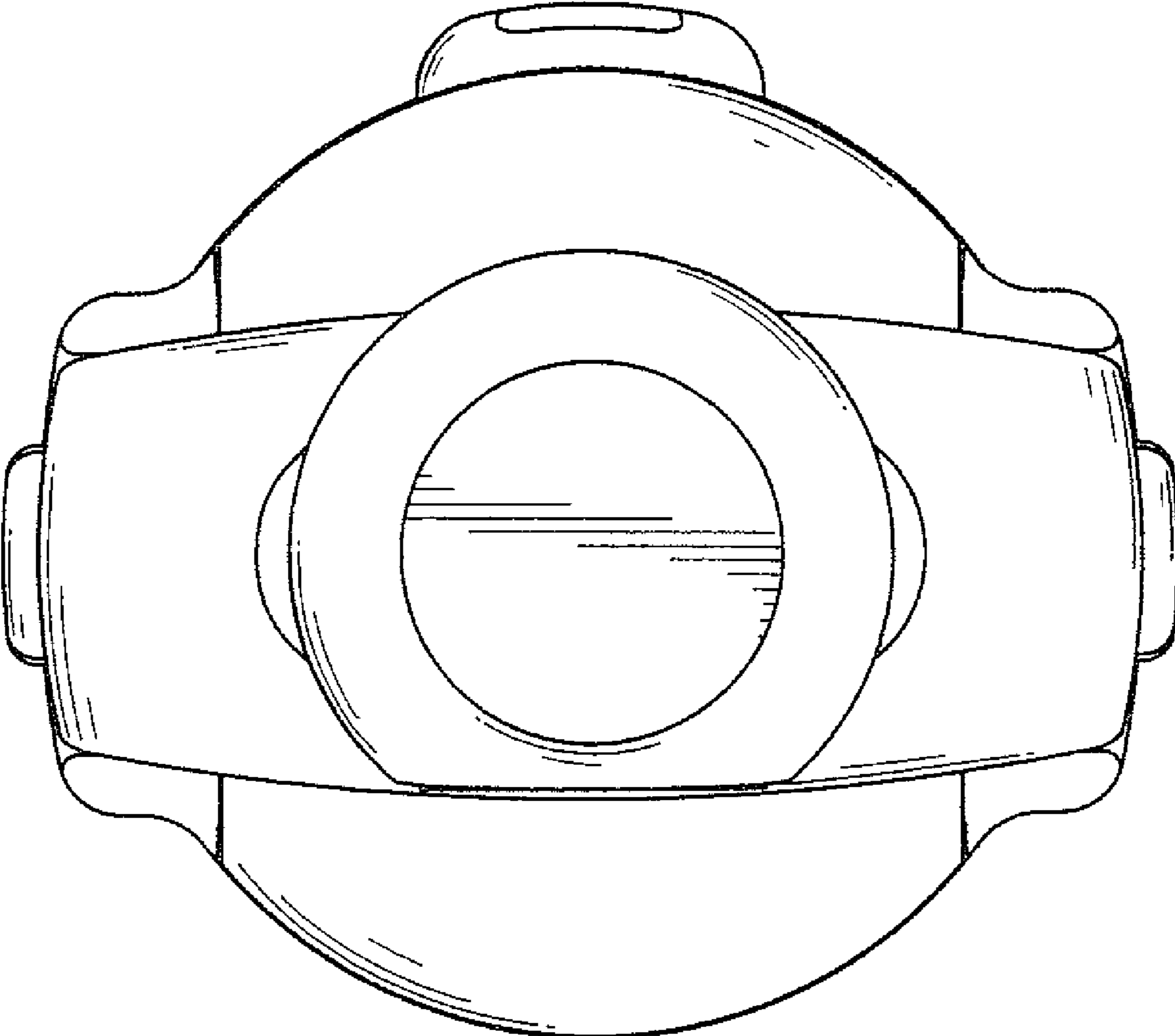


FIG.6