



US00D586839S

(12) **United States Design Patent**
Blaser et al.

(10) **Patent No.:** **US D586,839 S**
(45) **Date of Patent:** **** Feb. 17, 2009**

(54) **EYEGLASS FRAME**

D321,702 S * 11/1991 Jennings 2/12
D388,112 S * 12/1997 Giakonowski D16/306
D410,939 S 6/1999 Blaser et al.

(76) Inventors: **Linda A. Blaser**, 3245 W. Way Dr.,
Green Bay, WI (US) 54313; **Jerome
Blaser**, 3245 W. Way Dr., Green Bay, WI
(US) 54313; **Daniel Van Kauwenberg**,
3233 W. Way Dr., Green Bay, WI (US)
54313; **Jan Van Kauwenberg**, 3233 W.
Way Dr., Green Bay, WI (US) 54313

* cited by examiner

Primary Examiner—Raphael Barkai
(74) *Attorney, Agent, or Firm*—Richard C. Litman

(**) Term: **14 Years**

(21) Appl. No.: **29/290,430**

(22) Filed: **Dec. 5, 2007**

(51) **LOC (9) Cl.** **16-06**

(52) **U.S. Cl.** **D16/306**

(58) **Field of Classification Search** D16/101,
D16/300–342; D29/109–110; D24/110.2;
351/41, 44, 51–52, 62, 158, 92, 103–123,
351/140, 153; 2/426–432, 447–449, 441,
2/434–437; D21/483, 659–661

See application file for complete search history.

(56) **References Cited**

U.S. PATENT DOCUMENTS

D132,269 S 8/1942 Collins

(57) **CLAIM**

The ornamental design for an eyeglass frame, as shown and described.

DESCRIPTION

FIG. 1 is a perspective view of an eyeglass frame showing our new design;

FIG. 2 is a front elevational view thereof;

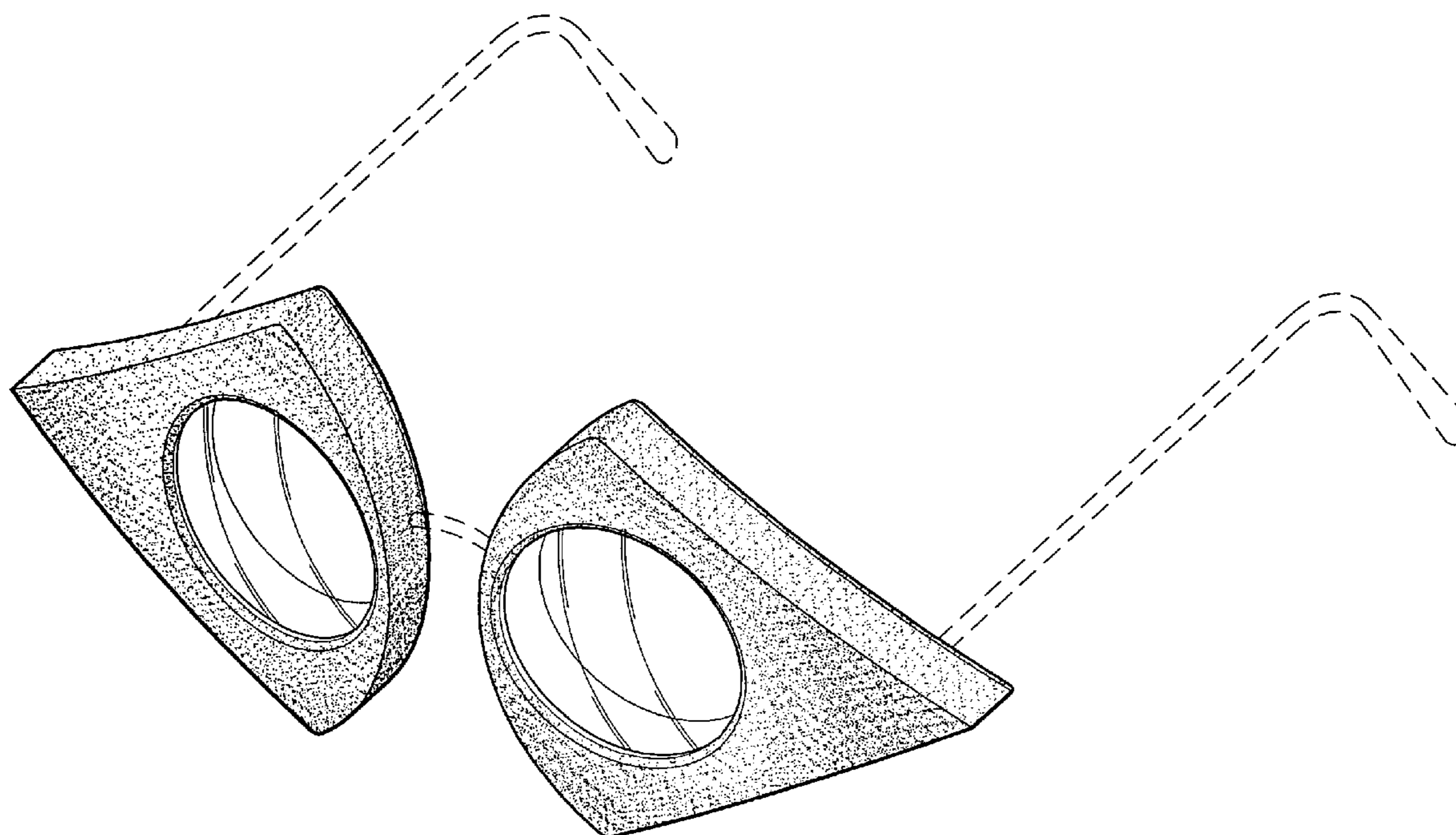
FIG. 3 is a top plan view, with the bottom view being a mirror image, thereof;

FIG. 4 is a right side elevational view, with the left side being a mirror image, thereof; and,

FIG. 5 is a rear elevational view thereof.

The broken line showing of the bridge and the temple portions in FIGS. 1–5 is for illustrative purposes only and forms no part of the claimed design.

1 Claim, 3 Drawing Sheets



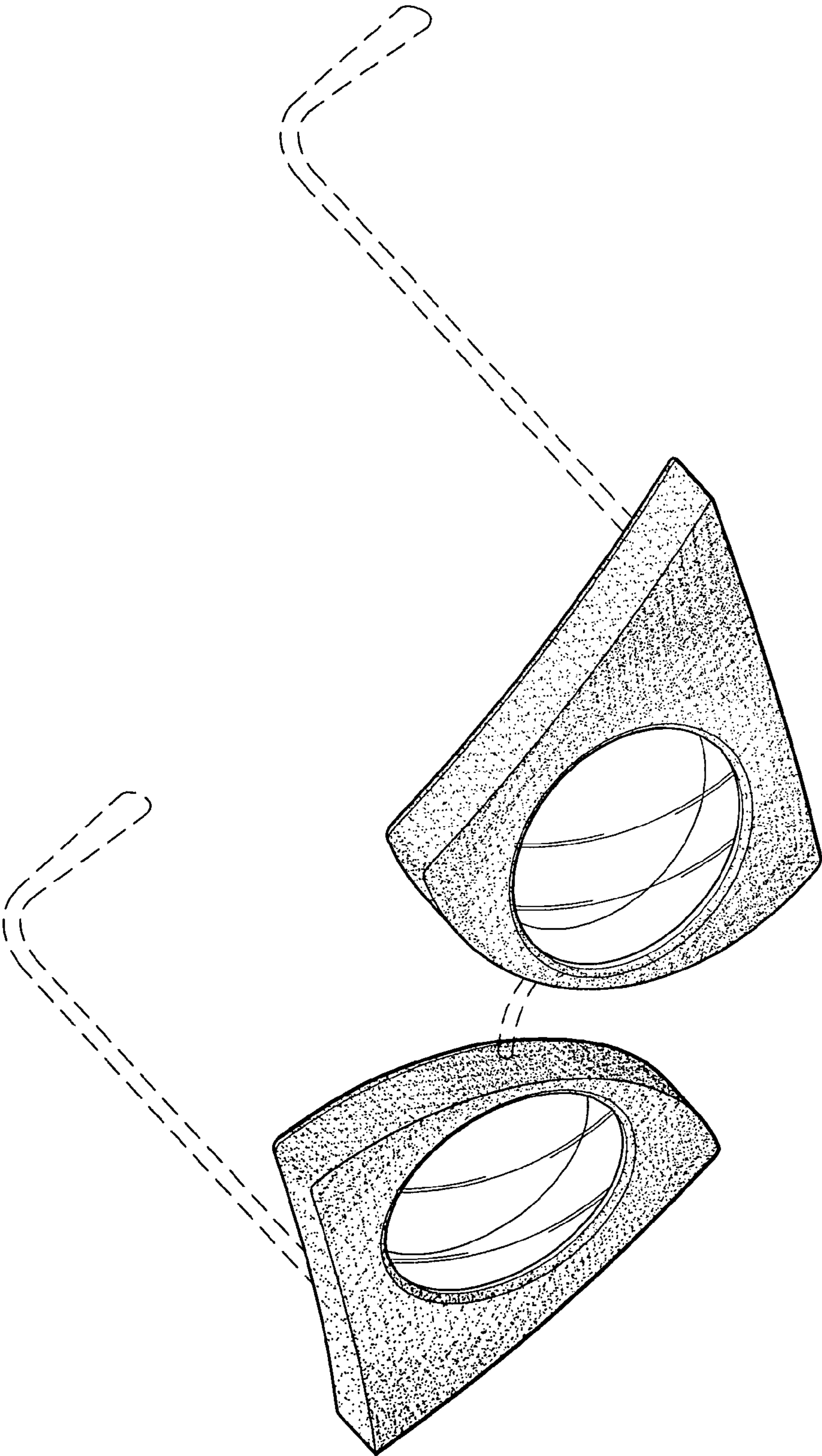


Fig. 1

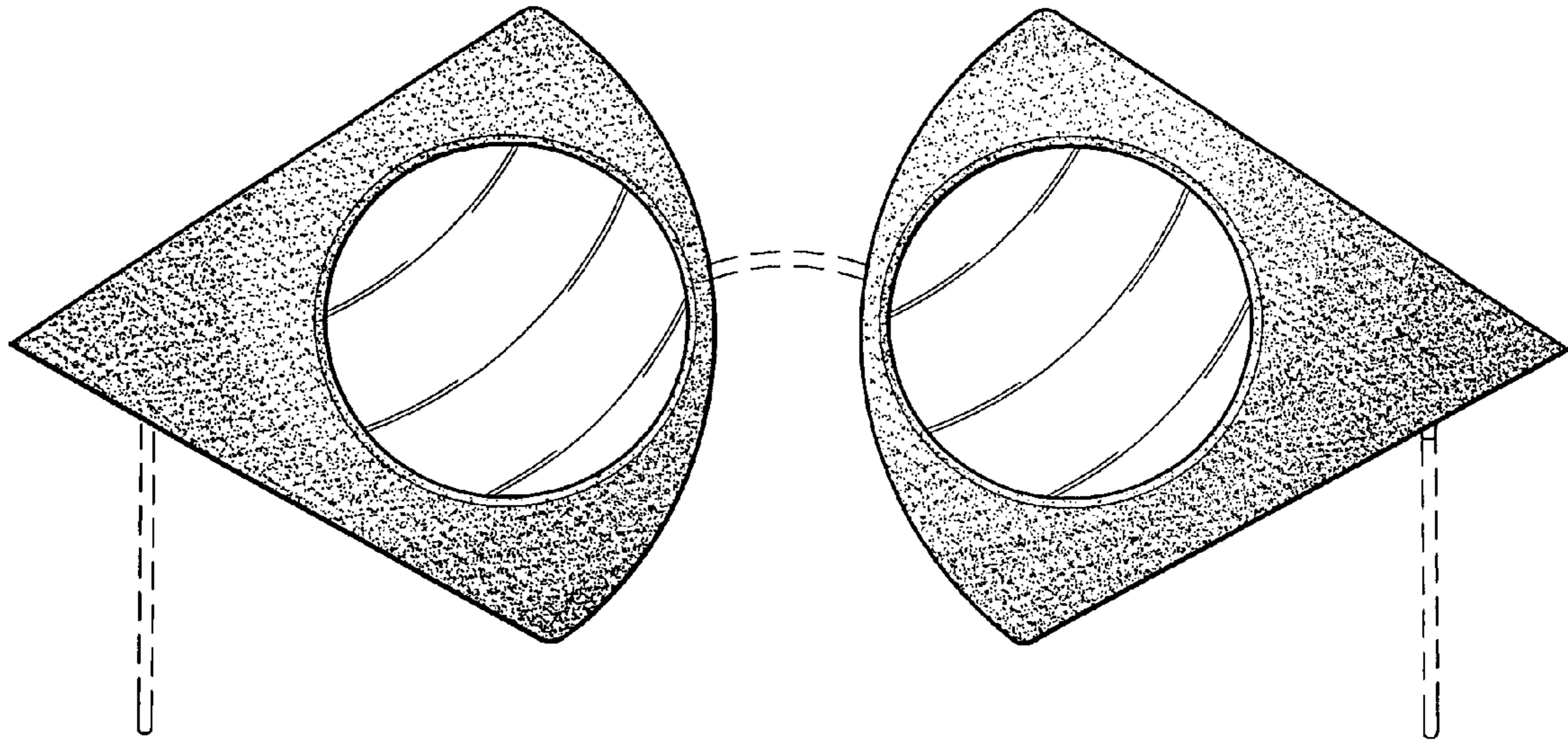


Fig. 2

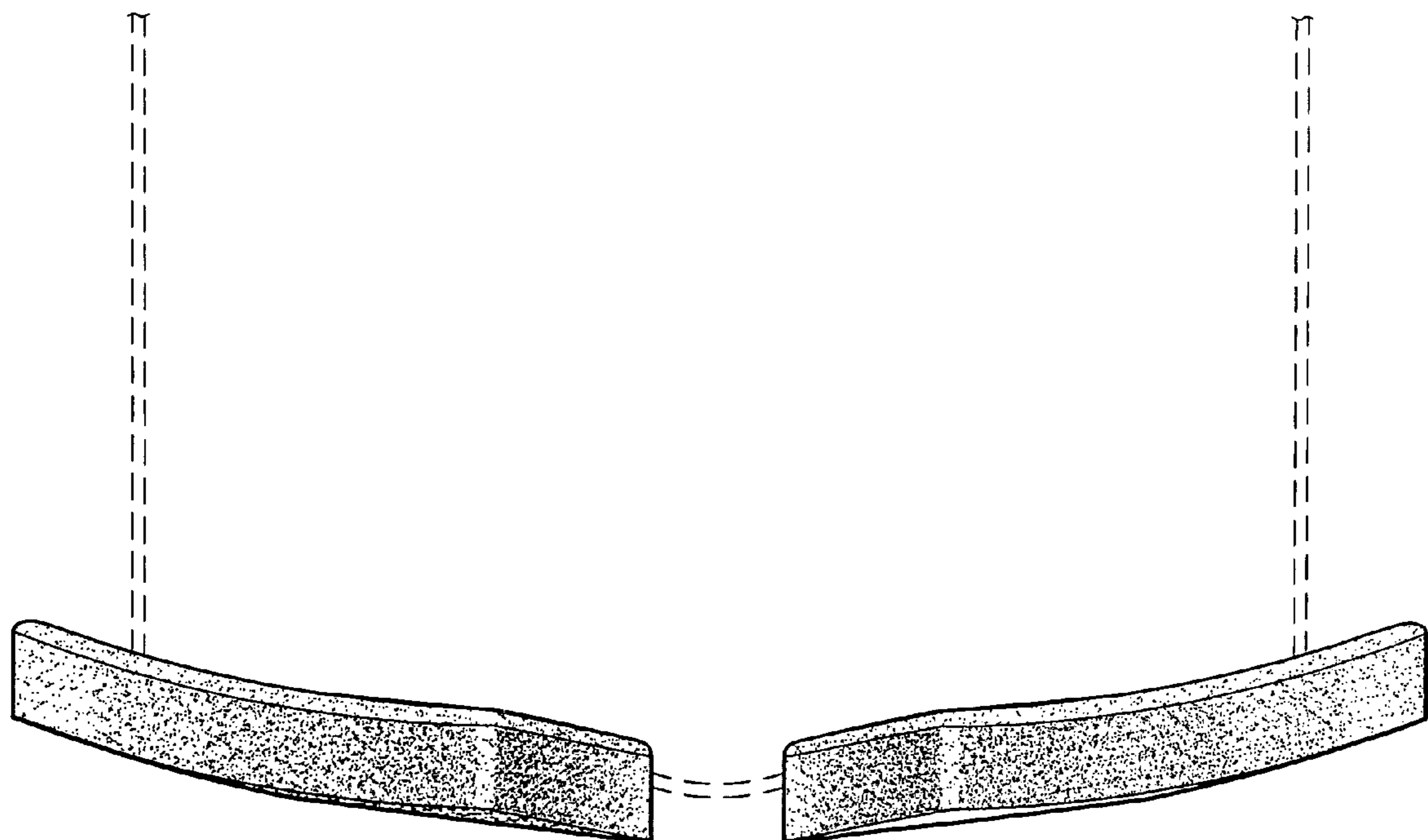


Fig. 3

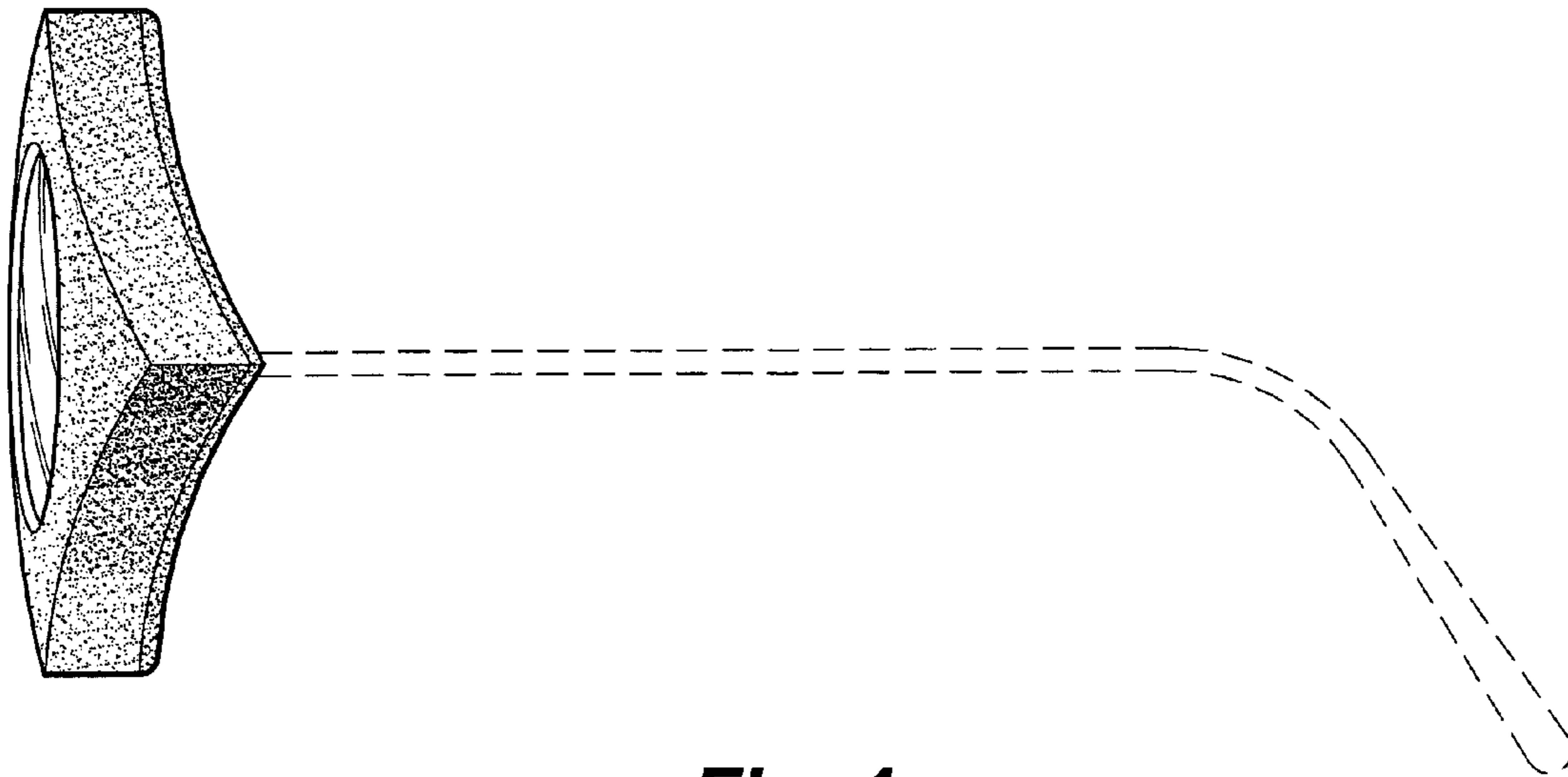


Fig. 4

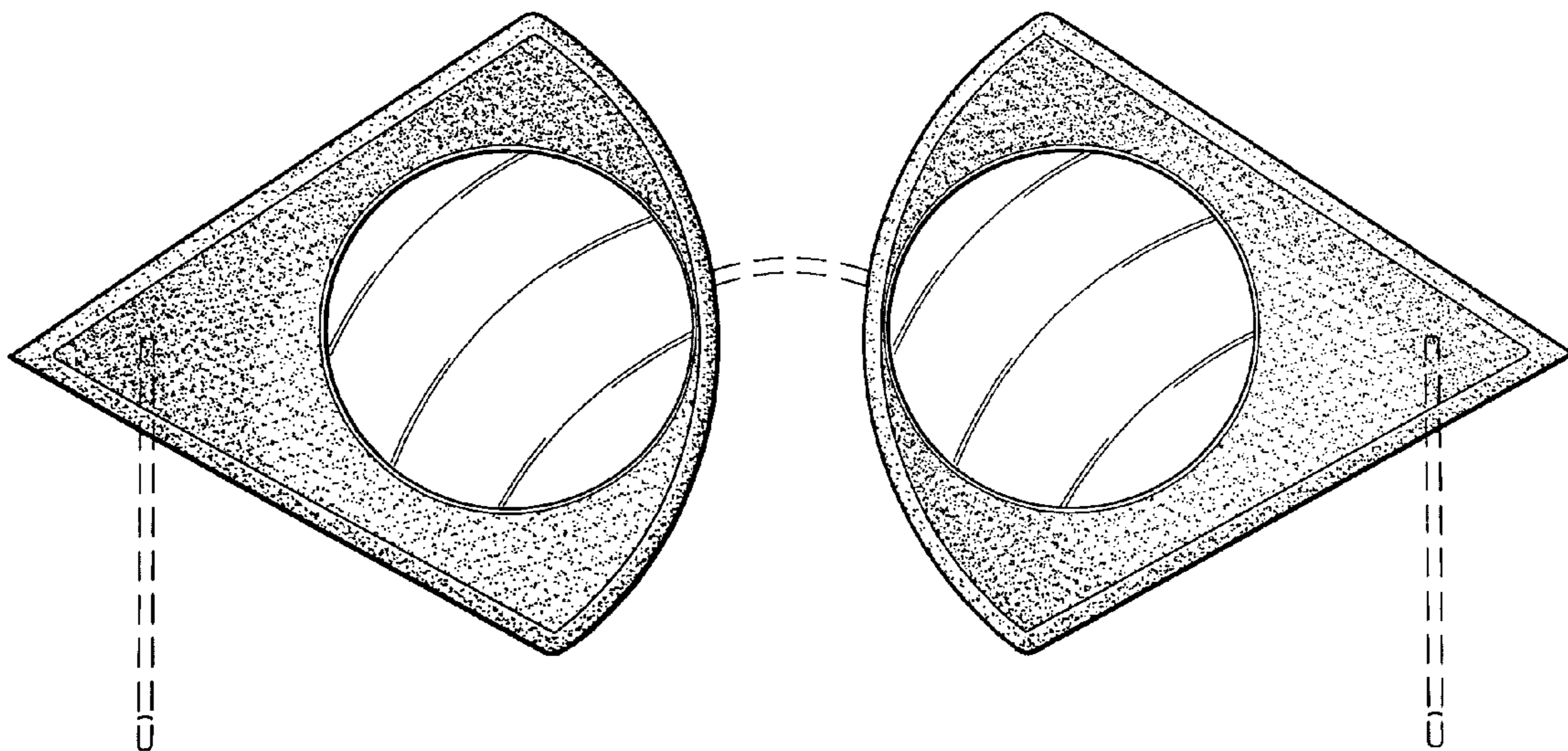


Fig. 5