

US00D586838S

(12) **United States Design Patent**
Tainaka

(10) **Patent No.:** **US D586,838 S**

(45) **Date of Patent:** **** Feb. 17, 2009**

(54) **DIGITAL CAMERA**

(75) Inventor: **Daisuke Tainaka**, Hachioji (JP)

(73) Assignee: **Olympus Imaging Corp.**, Tokyo (JP)

(**) Term: **14 Years**

(21) Appl. No.: **29/292,161**

(22) Filed: **Sep. 28, 2007**

(30) **Foreign Application Priority Data**

Aug. 21, 2007 (JP) 2007-022598
Aug. 21, 2007 (JP) 2007-022601

(51) **LOC (9) Cl.** **16-05**

(52) **U.S. Cl.** **D16/219**

(58) **Field of Classification Search** D16/200–204,
D16/208, 218, 219; 348/373–376; 358/909.1;
396/6, 535–541

See application file for complete search history.

(56) **References Cited**

U.S. PATENT DOCUMENTS

D516,599 S 3/2006 Nakamura
D524,345 S 7/2006 Hayamizu
D526,675 S * 8/2006 Nasu D16/219
D531,653 S * 11/2006 Lee D16/219
D535,314 S 1/2007 Chang
D546,854 S 7/2007 Hayashi
D548,252 S 8/2007 Tajima

D553,658 S 10/2007 Naito et al.
D562,373 S 2/2008 Nakamura
D562,867 S 2/2008 Inaba
D566,156 S * 4/2008 Tainaka D16/219
D566,741 S 4/2008 Matsuda
D571,389 S * 6/2008 Naito D16/219

* cited by examiner

Primary Examiner—Adir Aronovich

(74) *Attorney, Agent, or Firm*—Frishauf, Holtz, Goodman & Chick, P.C.

(57) **CLAIM**

The ornamental design for a digital camera, as shown and described.

DESCRIPTION

FIG. 1 is a front, top and right side perspective view of a digital camera showing my new design;

FIG. 2 is a front elevational view thereof;

FIG. 3 is a rear elevational view thereof;

FIG. 4 is a top plan view thereof;

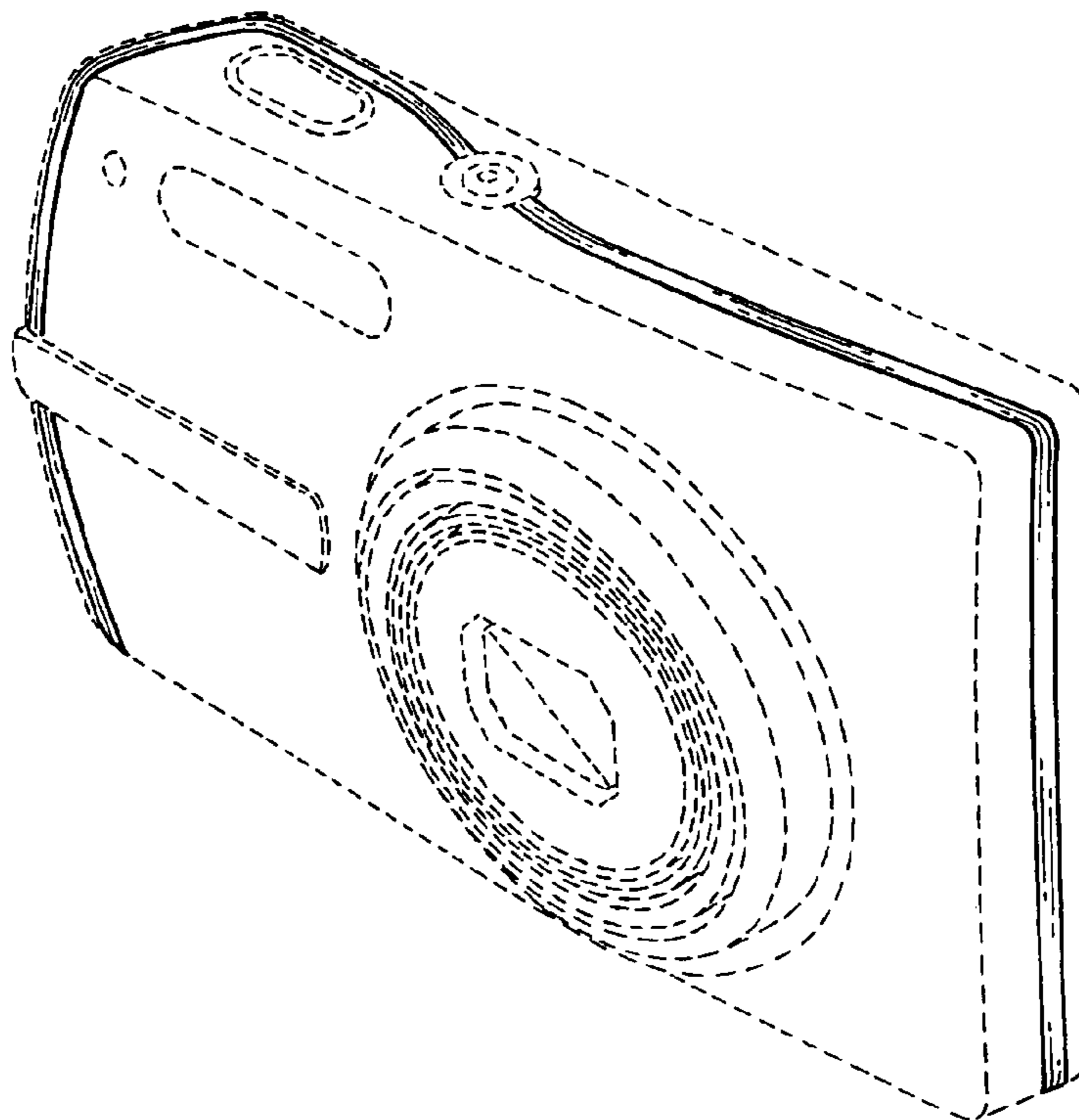
FIG. 5 is a bottom plan view thereof;

FIG. 6 is a right side elevational view thereof; and,

FIG. 7 is a left side elevational view thereof.

The portions of the digital camera shown in broken lines are shown for illustrative purposes only and form no part of the claimed design.

1 Claim, 4 Drawing Sheets



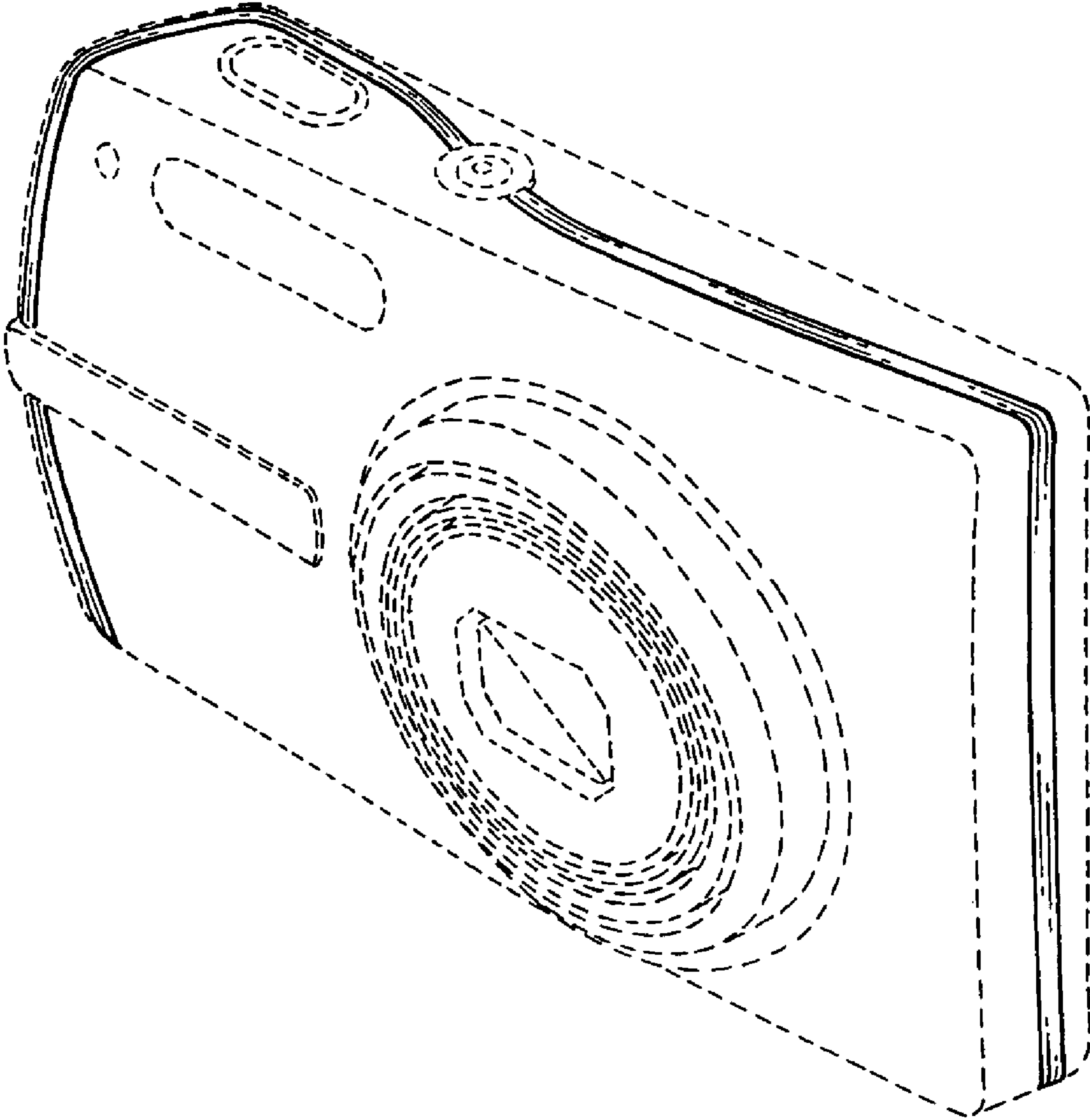


Fig. 1

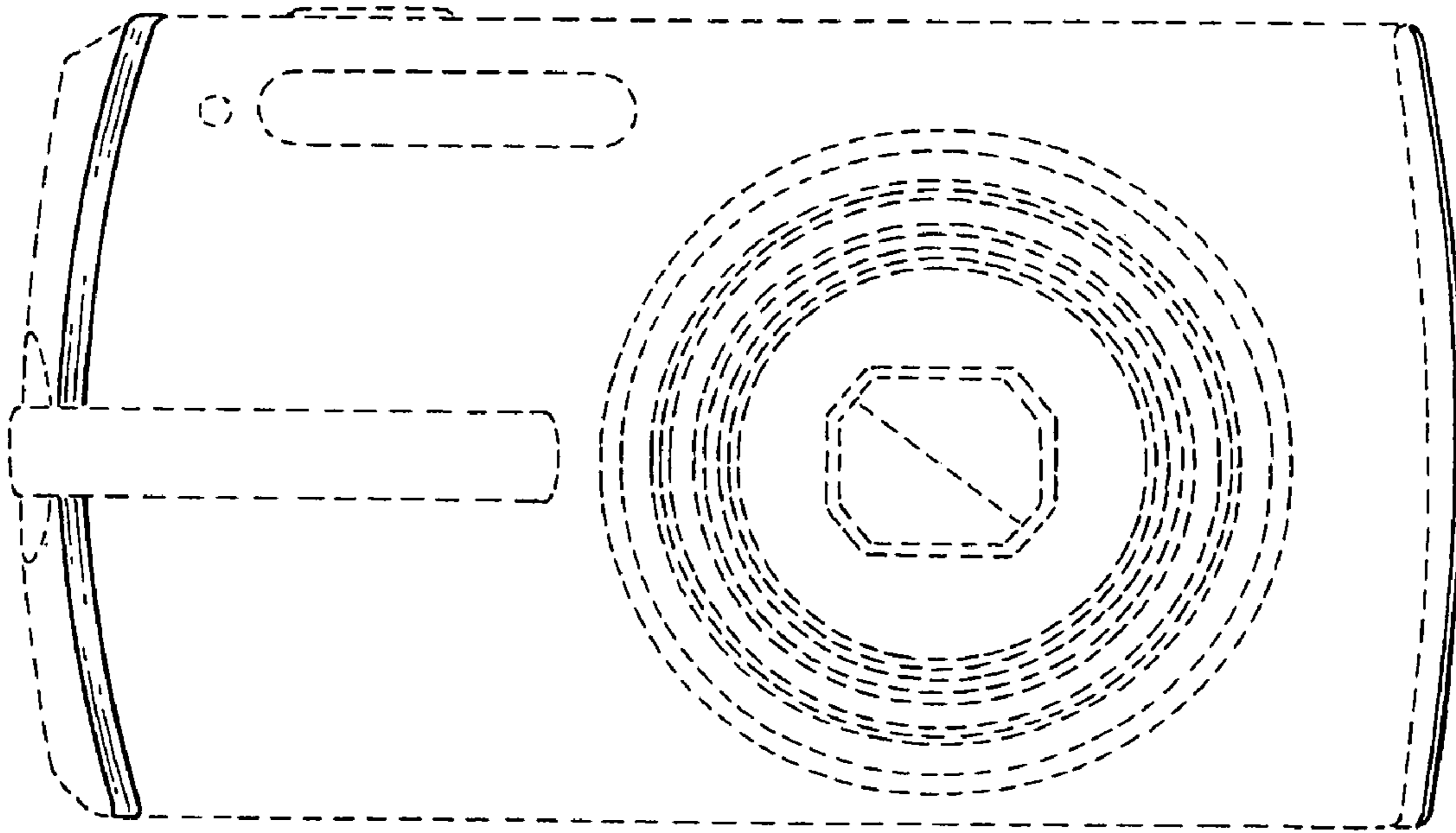


Fig. 2

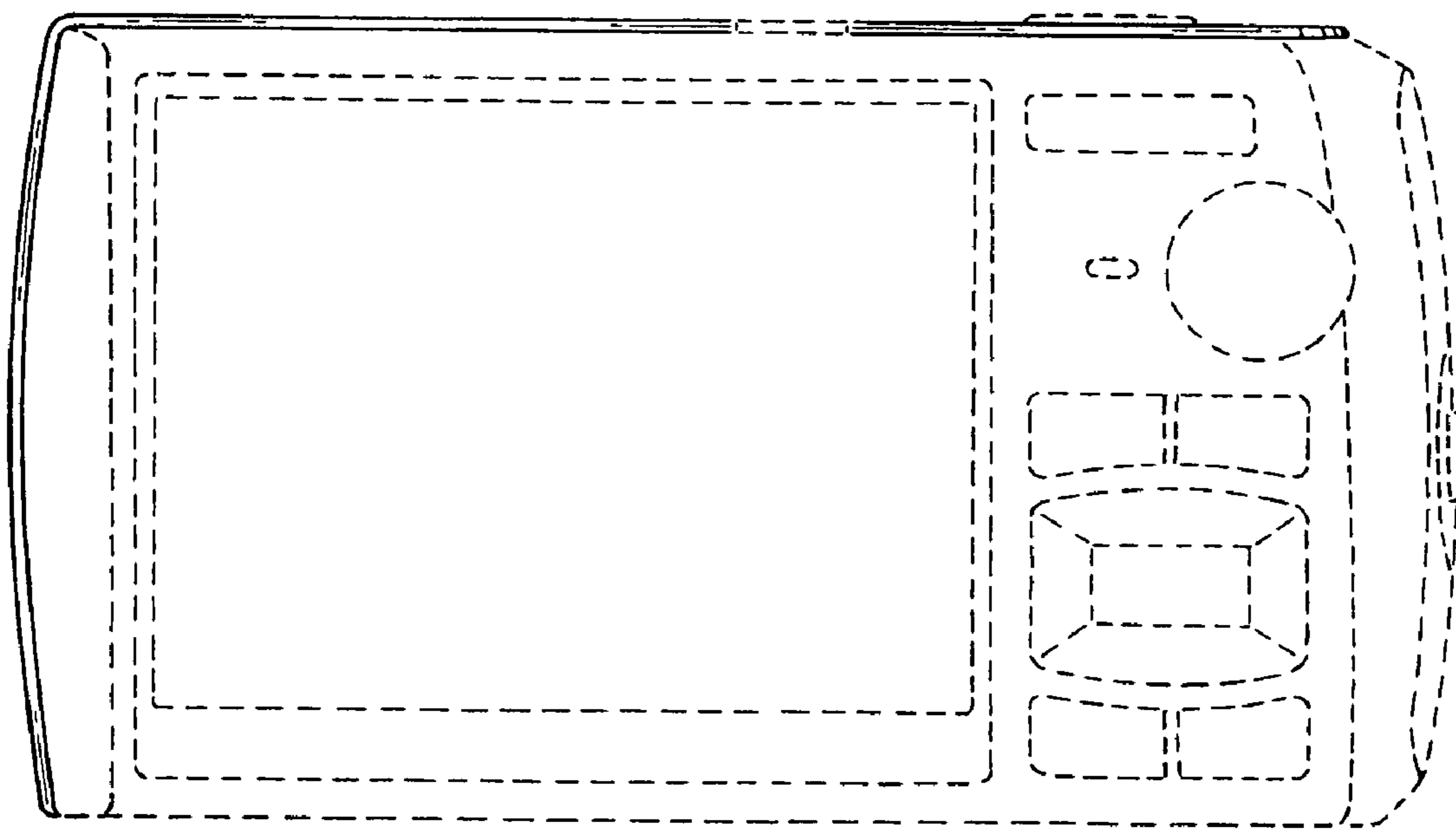


Fig. 3

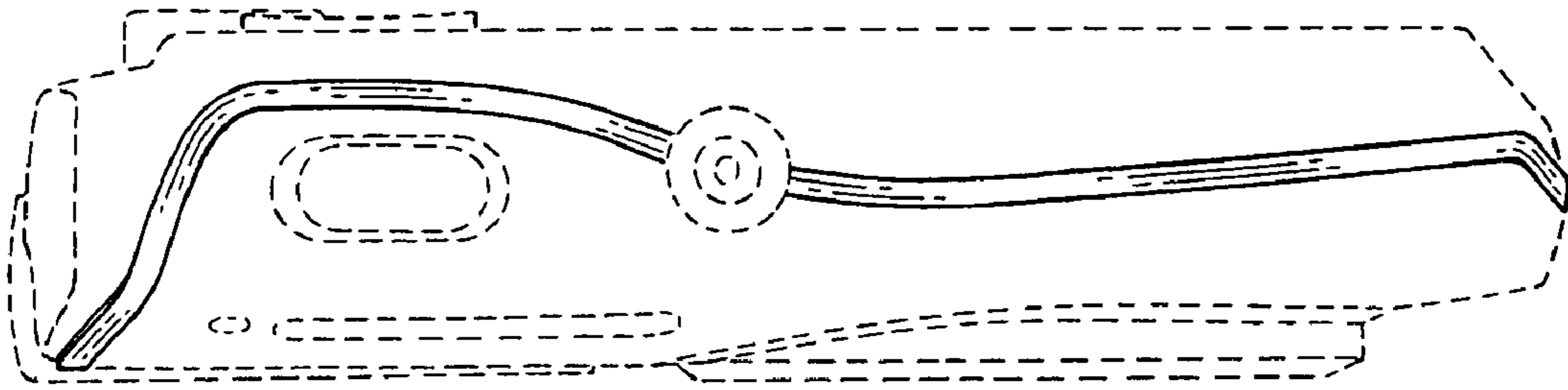


Fig. 4

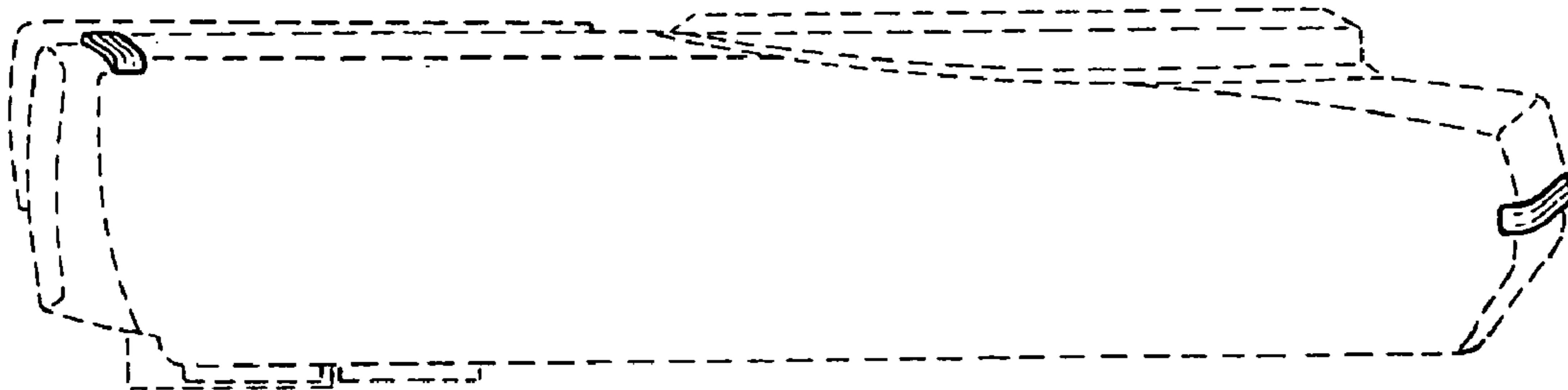


Fig. 5

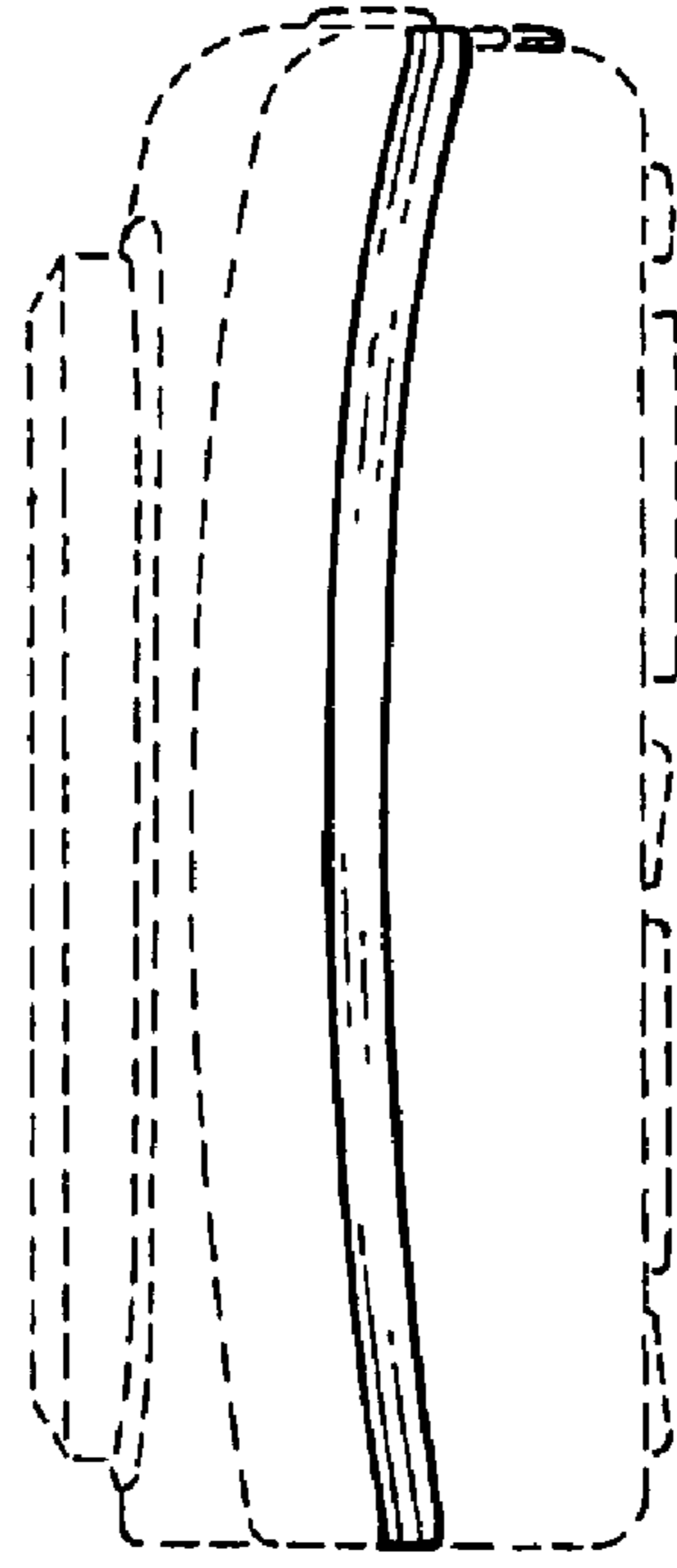


Fig. 6

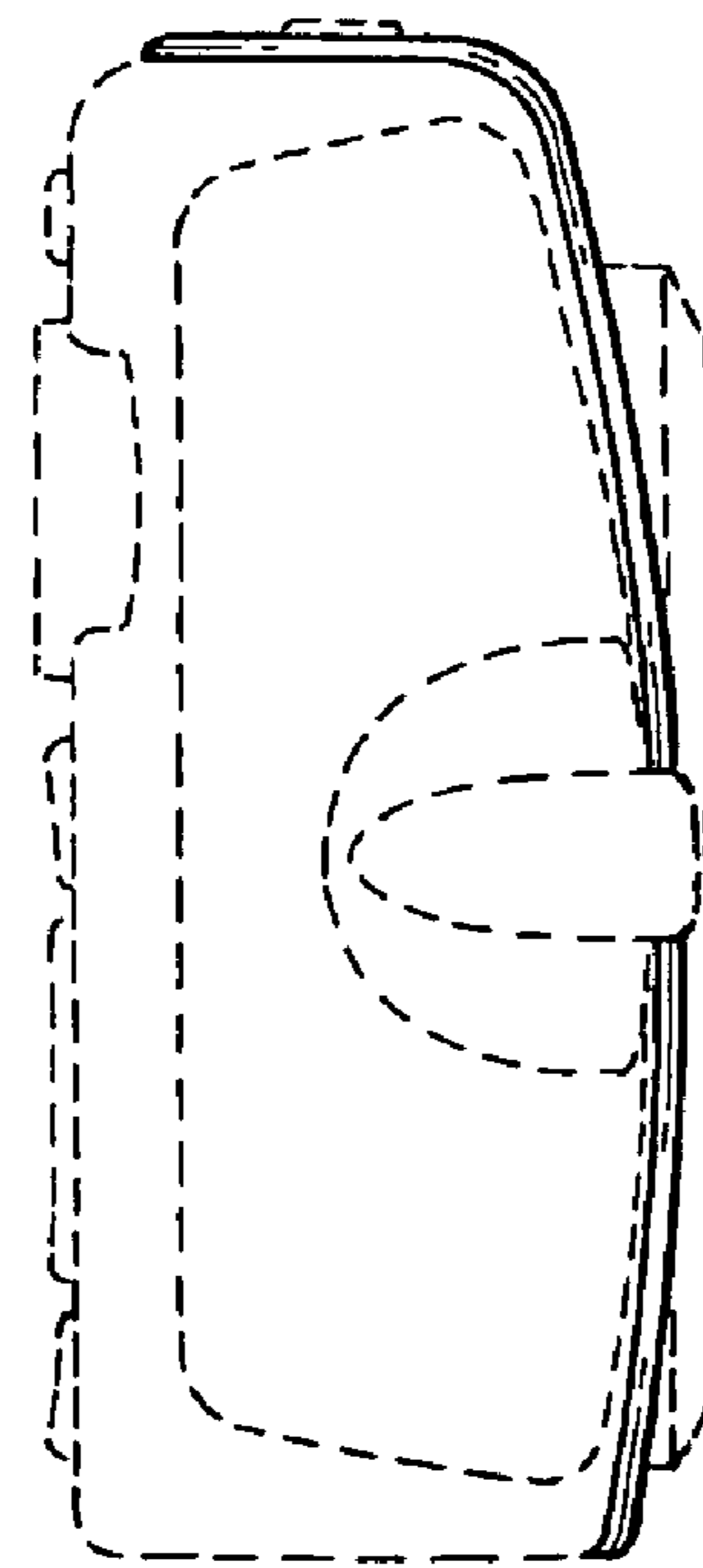


Fig. 7