



US00D586834S

(12) **United States Design Patent**  
**Andrews et al.**

(10) **Patent No.:** **US D586,834 S**  
(45) **Date of Patent:** **\*\* Feb. 17, 2009**

(54) **CAMERA ENCLOSURE**

(75) Inventors: **Craig Andrews**, Fresno, CA (US);  
**James Arbuckle**, Clovis, CA (US)

(73) Assignee: **Pelco, Inc.**, Clovis, CA (US)

(\*\*) Term: **14 Years**

(21) Appl. No.: **29/291,876**

(22) Filed: **Sep. 18, 2007**

(51) **LOC (9) Cl.** ..... **16-01**

(52) **U.S. Cl.** ..... **D16/203**

(58) **Field of Classification Search** ..... D16/200–205,  
D16/208, 218; 348/143, 151, 373–376; 396/427,  
396/535–541

See application file for complete search history.

(56) **References Cited**

**U.S. PATENT DOCUMENTS**

D339,598 S *	9/1993	Shimizu	.....	D16/202
D350,553 S *	9/1994	Lo	.....	D16/203
5,940,122 A *	8/1999	Kizawa et al.	.....	348/151
D476,671 S *	7/2003	van Schaik et al.	.....	D16/203
6,637,952 B2 *	10/2003	Arbuckle et al.	.....	396/427
D532,806 S *	11/2006	Cheng	.....	D16/203
D540,361 S *	4/2007	Yamakawa	.....	D16/203

**OTHER PUBLICATIONS**

Pelco Product Specification Sheet; CC3701H-2 Series Digital CCD Color Camera, Pelco Product Specification Book, 2005, p. 119-120, Clovis, California.

Pelco Product Specification Sheet; LDC100 Lens Driver Converter, Pelco Product Specification Book, 2005, p. 161-162, Clovis, California.

\* cited by examiner

*Primary Examiner*—Adir Aronovich

(74) *Attorney, Agent, or Firm*—Paul T. Kashimba, Esq.

(57) **CLAIM**

The ornamental design for a camera enclosure, as shown and described.

**DESCRIPTION**

FIG. 1 is a front perspective view of a camera enclosure showing our new design;

FIG. 2 is a rear perspective view thereof;

FIG. 3 is a front elevational view thereof;

FIG. 4 is a rear elevational view thereof;

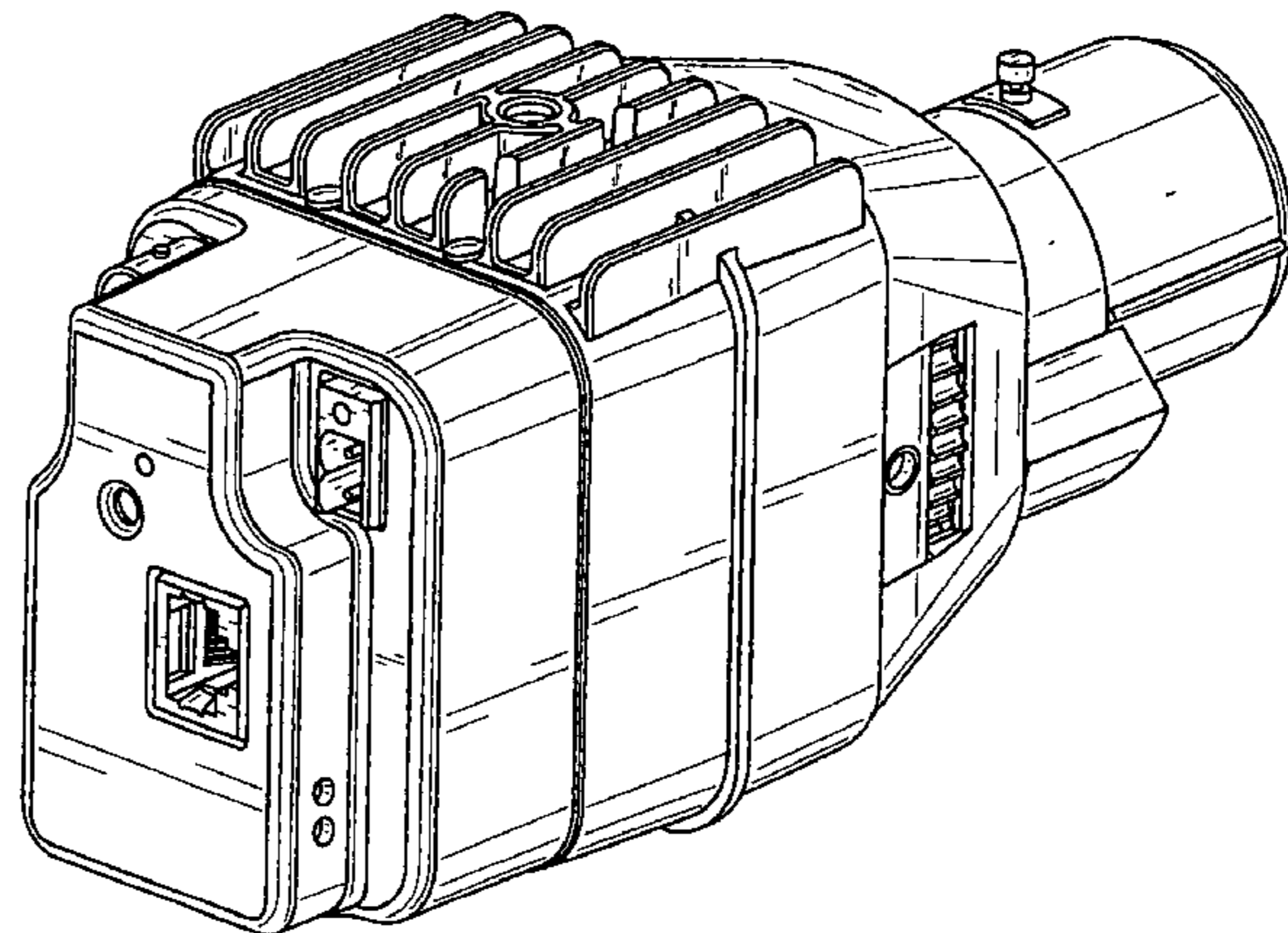
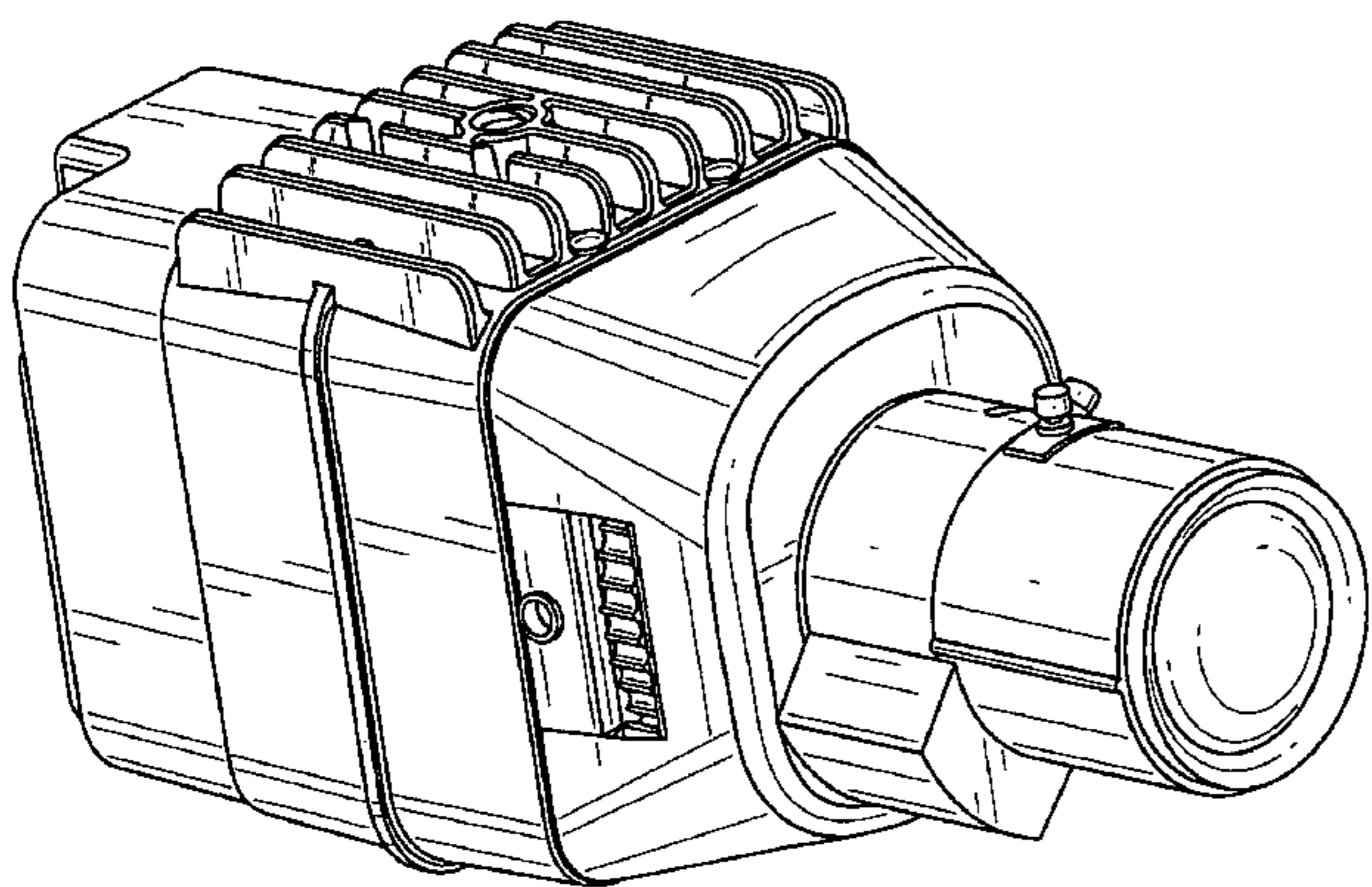
FIG. 5 is a right side elevational view thereof; and

FIG. 6 is a left side elevational view thereof.

FIG. 7 is a top plan view thereof; and,

FIG. 8 is a bottom plan view thereof.

**1 Claim, 7 Drawing Sheets**



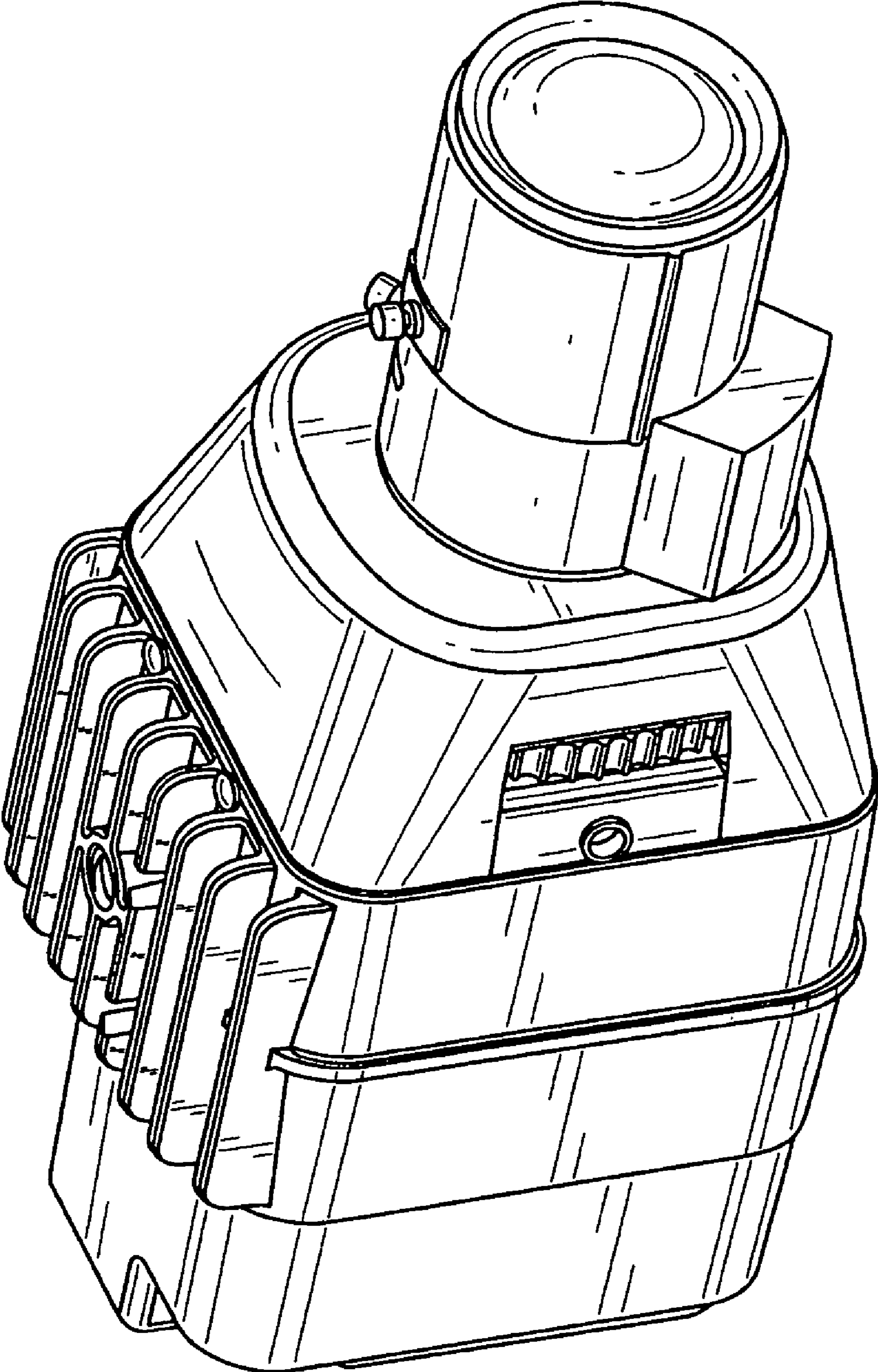


FIG. 1

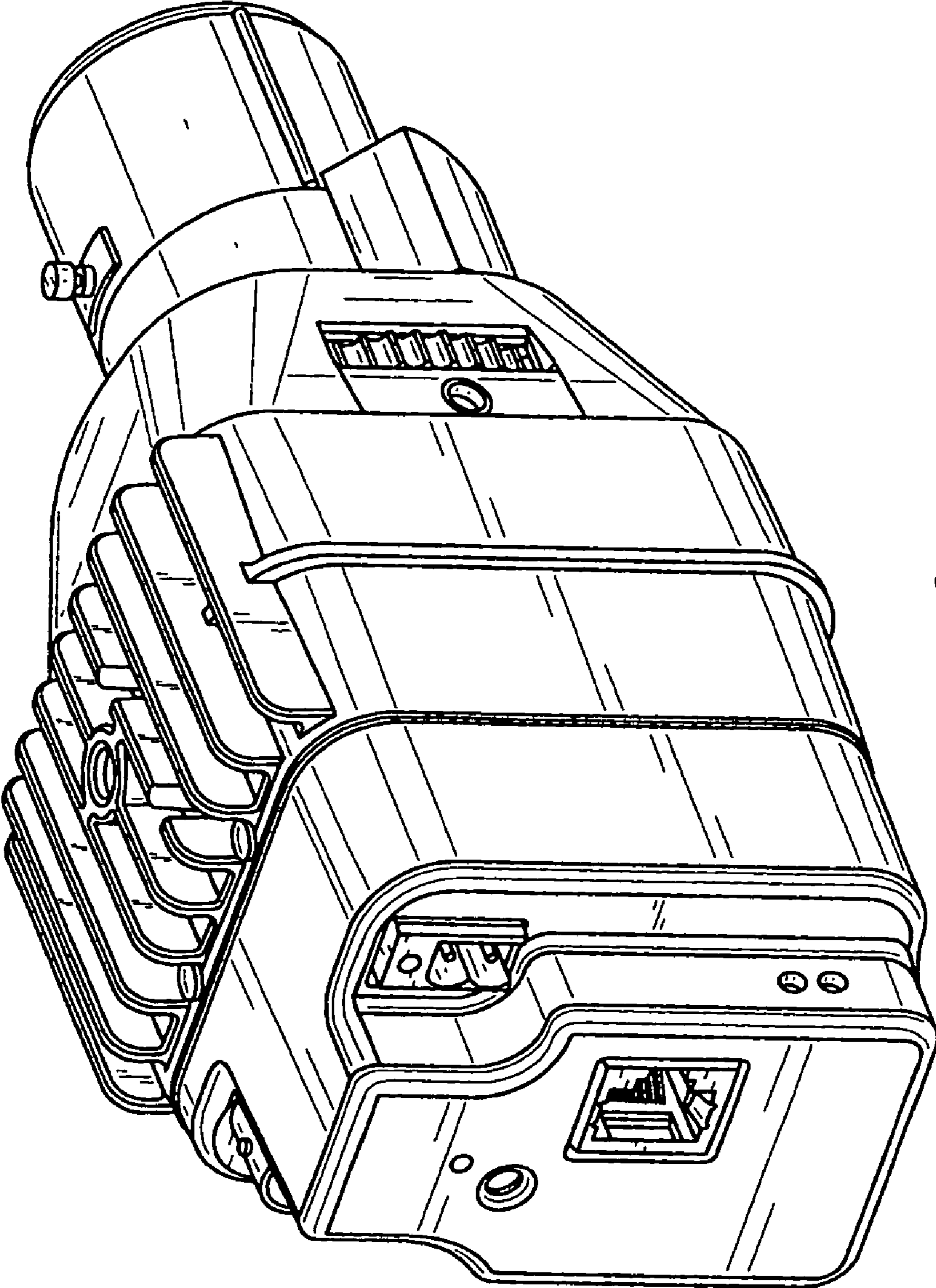


FIG. 2

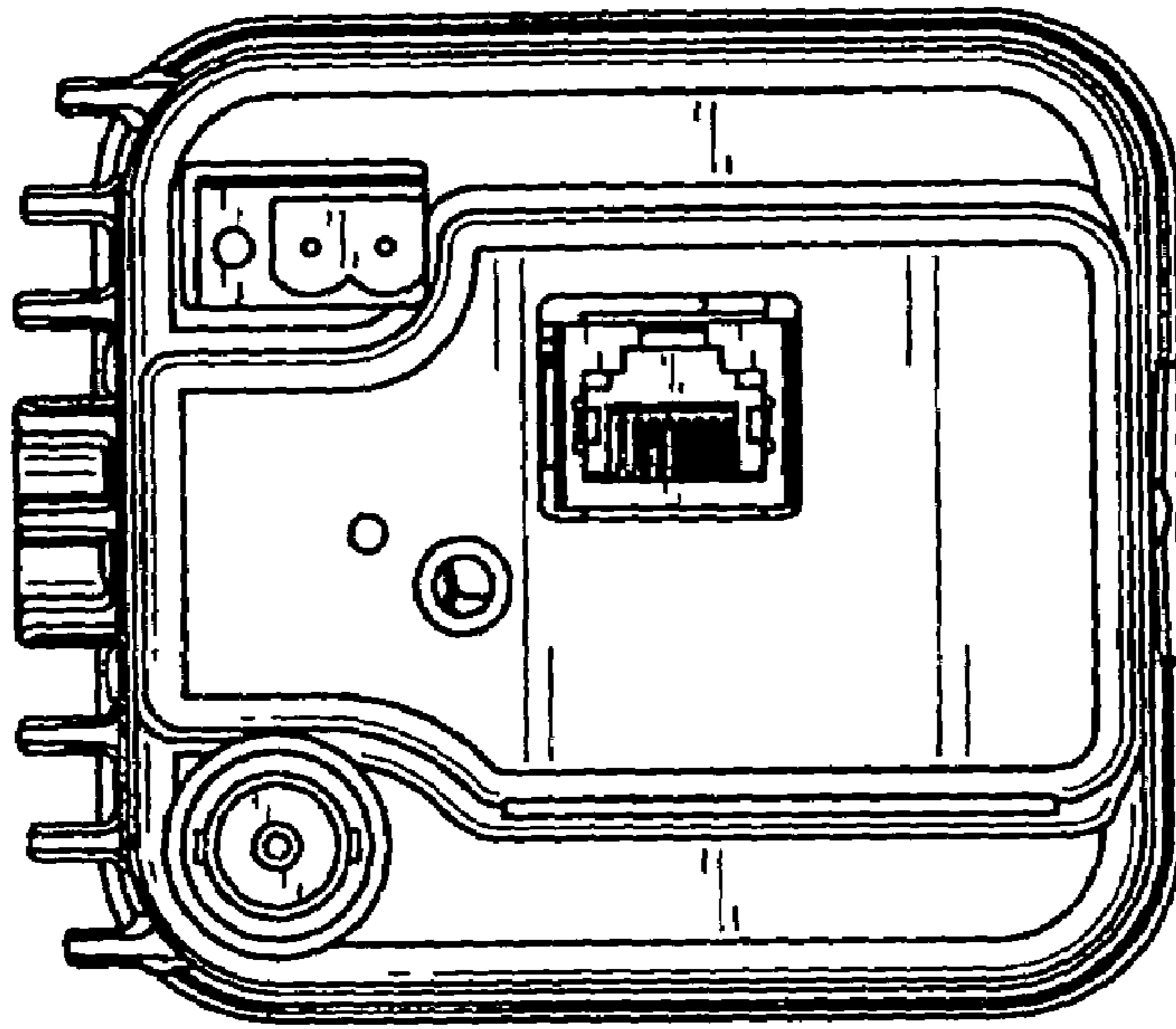


FIG. 4

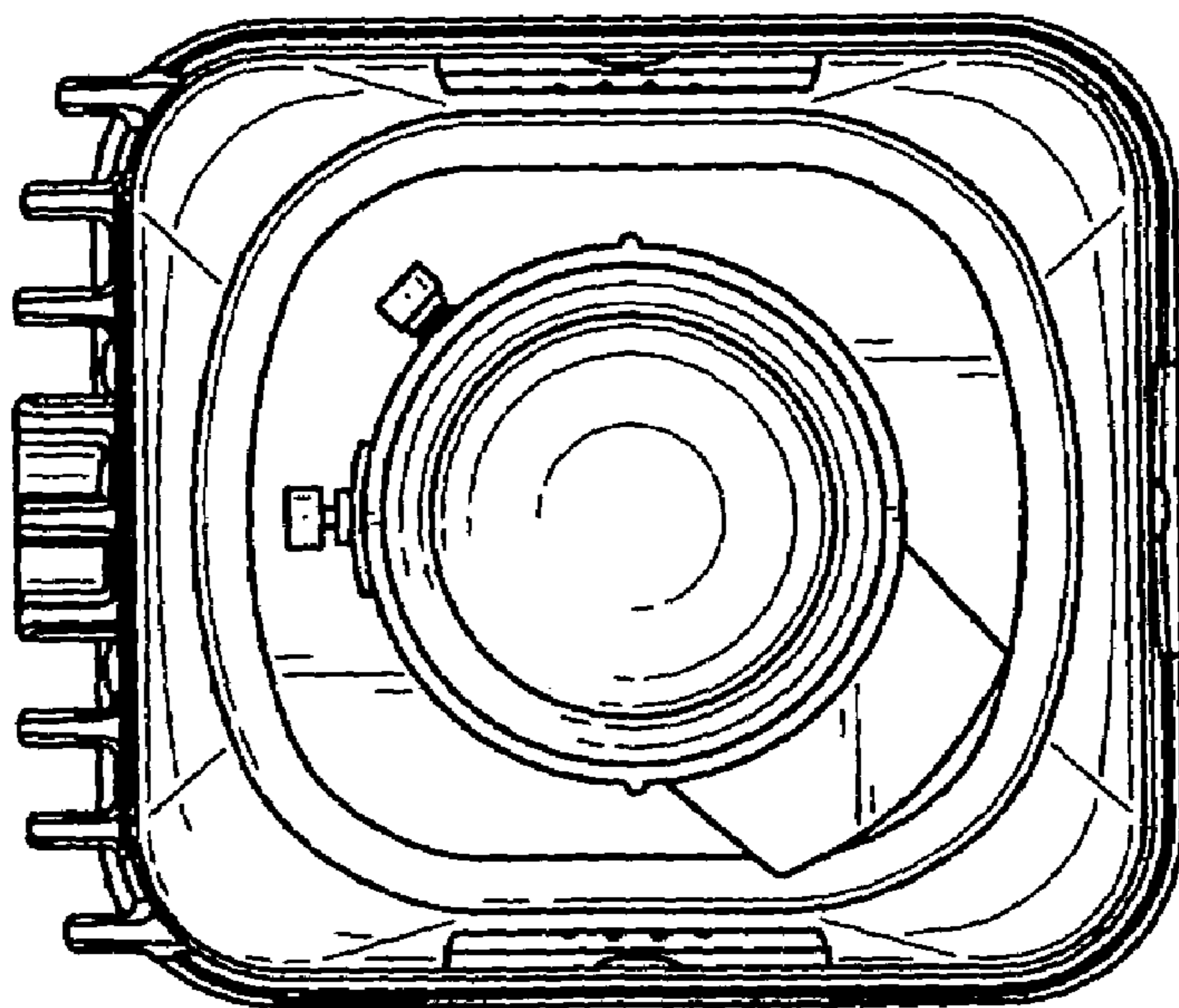


FIG. 3

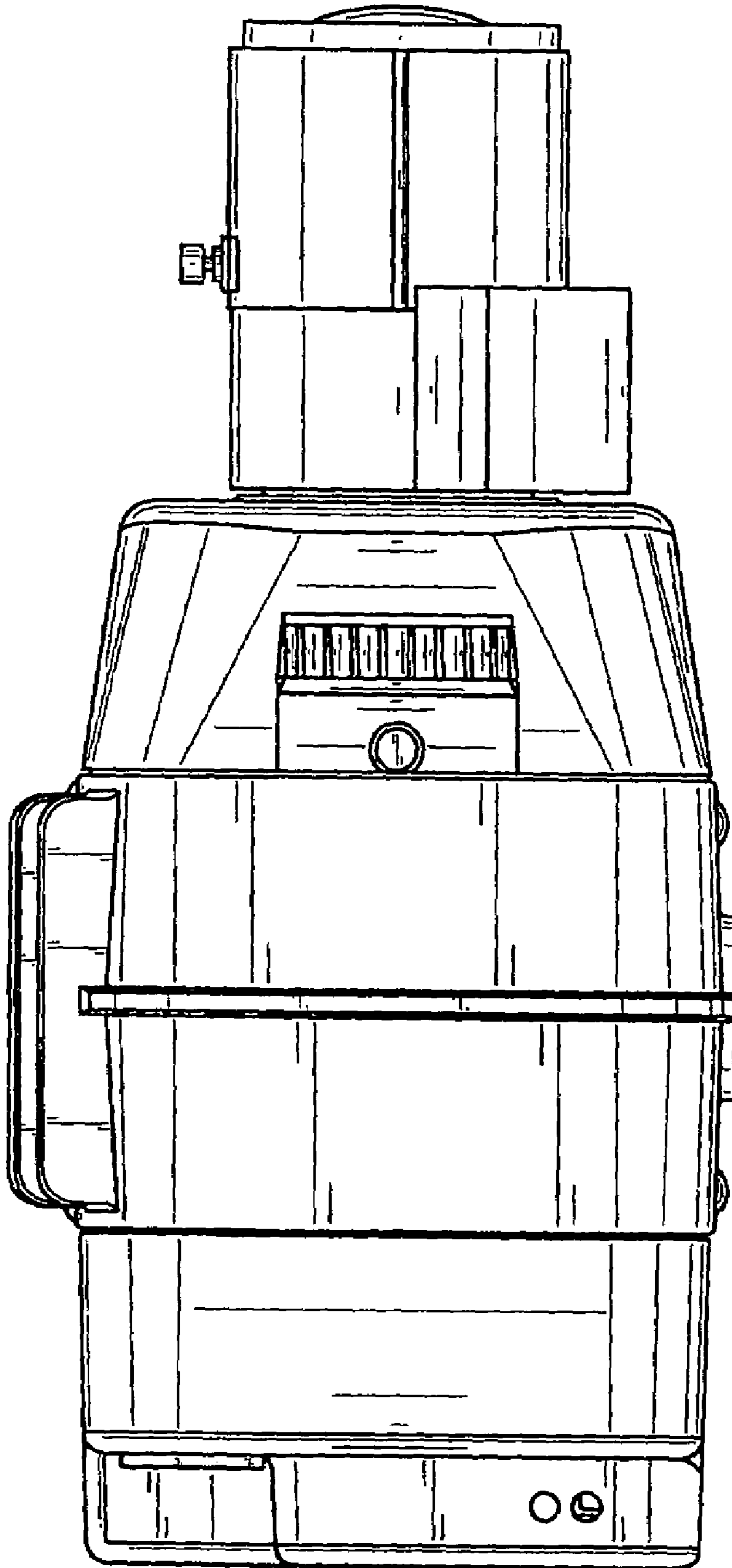


FIG. 5

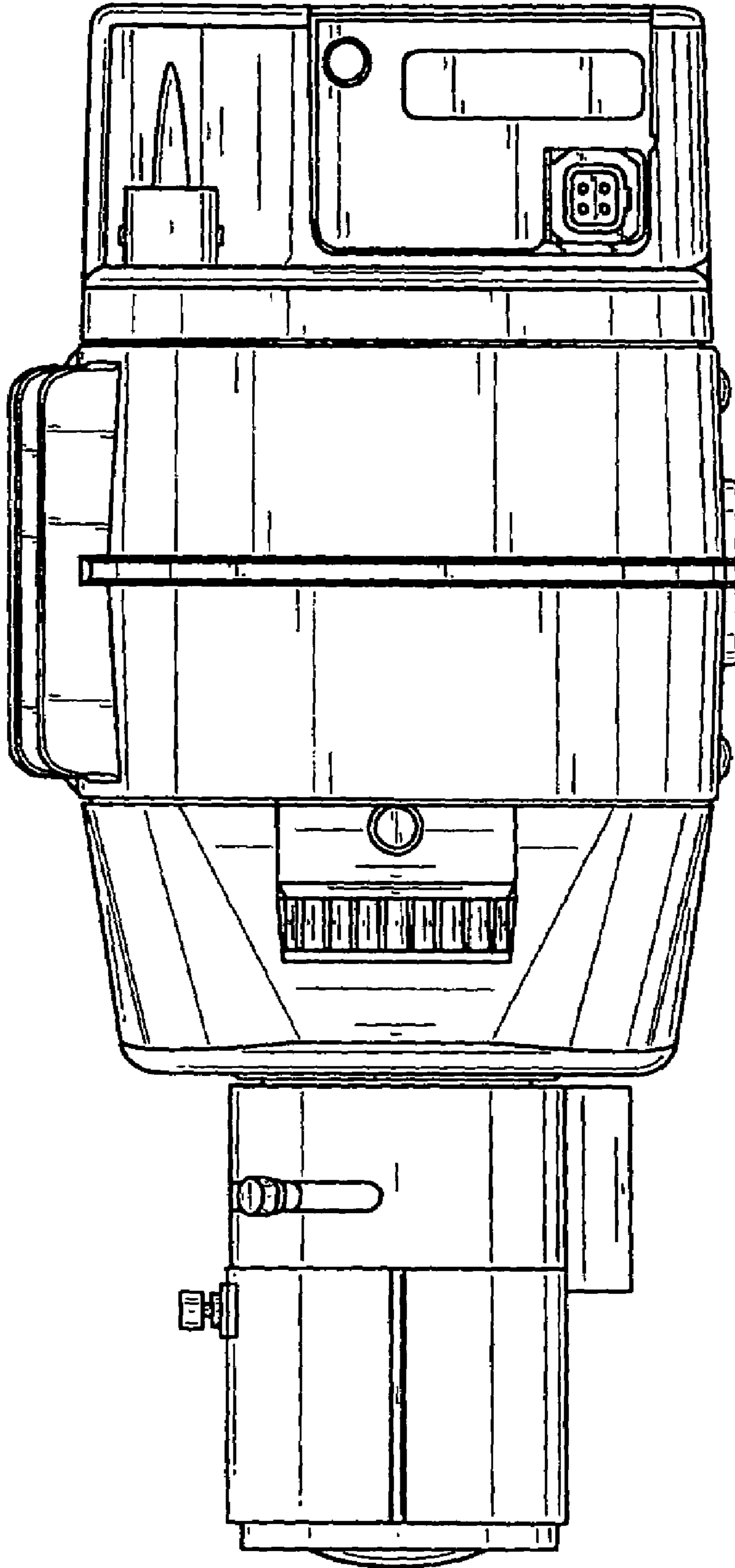


FIG. 6

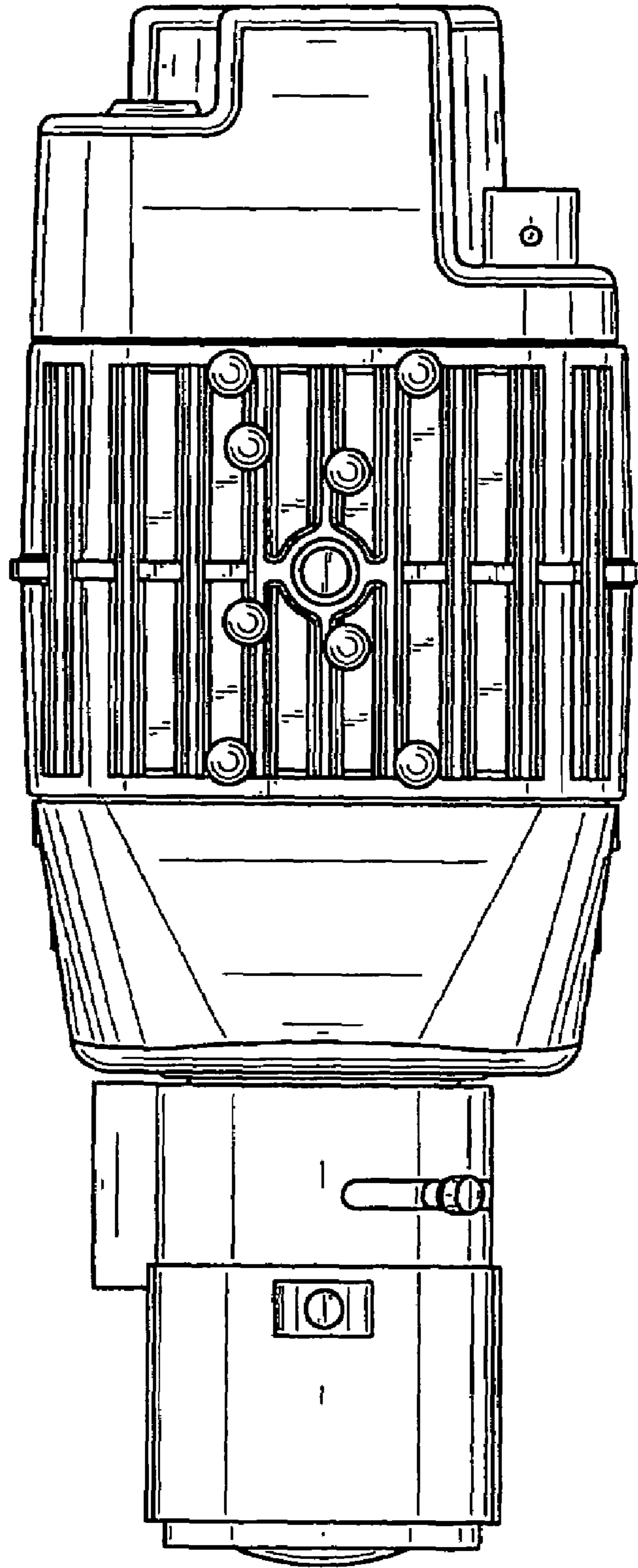


FIG. 7

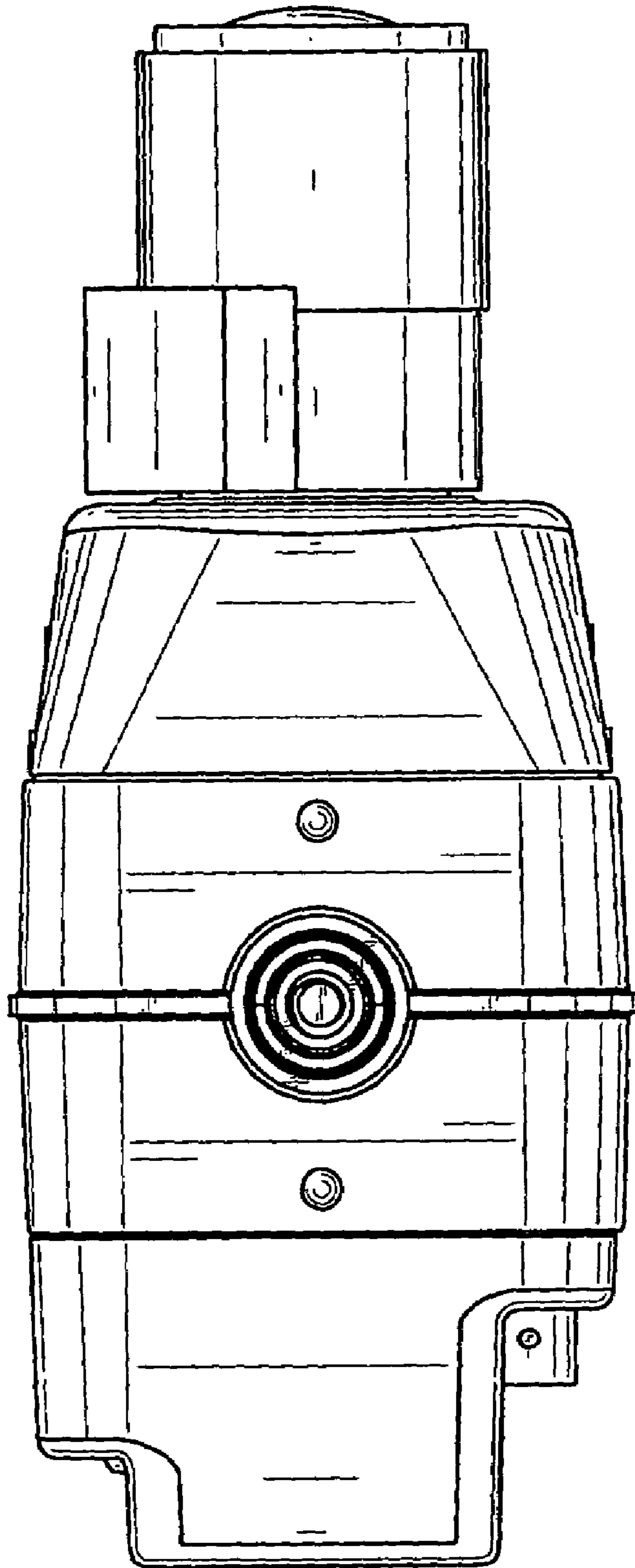


FIG. 8