



US00D586831S

(12) **United States Design Patent**
Khanin et al.

(10) **Patent No.:** **US D586,831 S**
(45) **Date of Patent:** **** Feb. 17, 2009**

(54) **TURBO MACHINE DOUBLE BLADE AND PLATFORM**
(75) Inventors: **Alexander Anatolievich Khanin**,
Moscow (RU); **Maxim Konter**,
Klingnau (CH); **Dietrich Eckardt**,
Ennetbaden (CH); **Victor Vladimirovich**
Odinokov, Moscow (RU)
(73) Assignee: **ALSTOM Technology Ltd.**, Baden
(CH)

2002/0119043 A1 * 8/2002 Allen et al. 415/200
2005/0079062 A1 * 4/2005 Surace et al. 416/248
2005/0169758 A1 * 8/2005 Dube et al. 416/191
2007/0031259 A1 * 2/2007 Dube et al. 416/193 A
2007/0041838 A1 * 2/2007 Charbonneau et al. .. 416/193 A
2007/0243067 A1 * 10/2007 Bil et al. 416/193 A
2007/0258816 A1 * 11/2007 Bouchard et al. 416/193 A
2007/0258817 A1 * 11/2007 Allen-Bradley et al. . 416/193 A
2007/0269313 A1 * 11/2007 Nadvit et al. 416/193 A
2007/0292271 A1 * 12/2007 Bil et al. 416/193 A
2008/0038116 A1 * 2/2008 Zemitis et al. 416/191

* cited by examiner

(**) Term: **14 Years**

Primary Examiner—Sandra Snapp

(21) Appl. No.: **29/283,947**

Assistant Examiner—Patricia Palasik

(22) Filed: **Aug. 28, 2007**

(74) *Attorney, Agent, or Firm*—Cermak Kenealy Vaidya &
Nakajima LLP; Adam J. Cermak

(51) **LOC (9) Cl.** **15-08**
(52) **U.S. Cl.** **D15/138; D15/139**
(58) **Field of Classification Search** D15/138,
D15/139, 199; 277/421, 422, 643; 415/135,
415/136, 138, 139; 416/22 R, 146 R, 145,
416/173.1, 173.4, 190, 191, 193 A, 220, 220 R,
416/224, 248, 500
See application file for complete search history.

(57) **CLAIM**

The ornamental design for a turbo machine double blade and platform, as shown and described.

(56) **References Cited**

DESCRIPTION

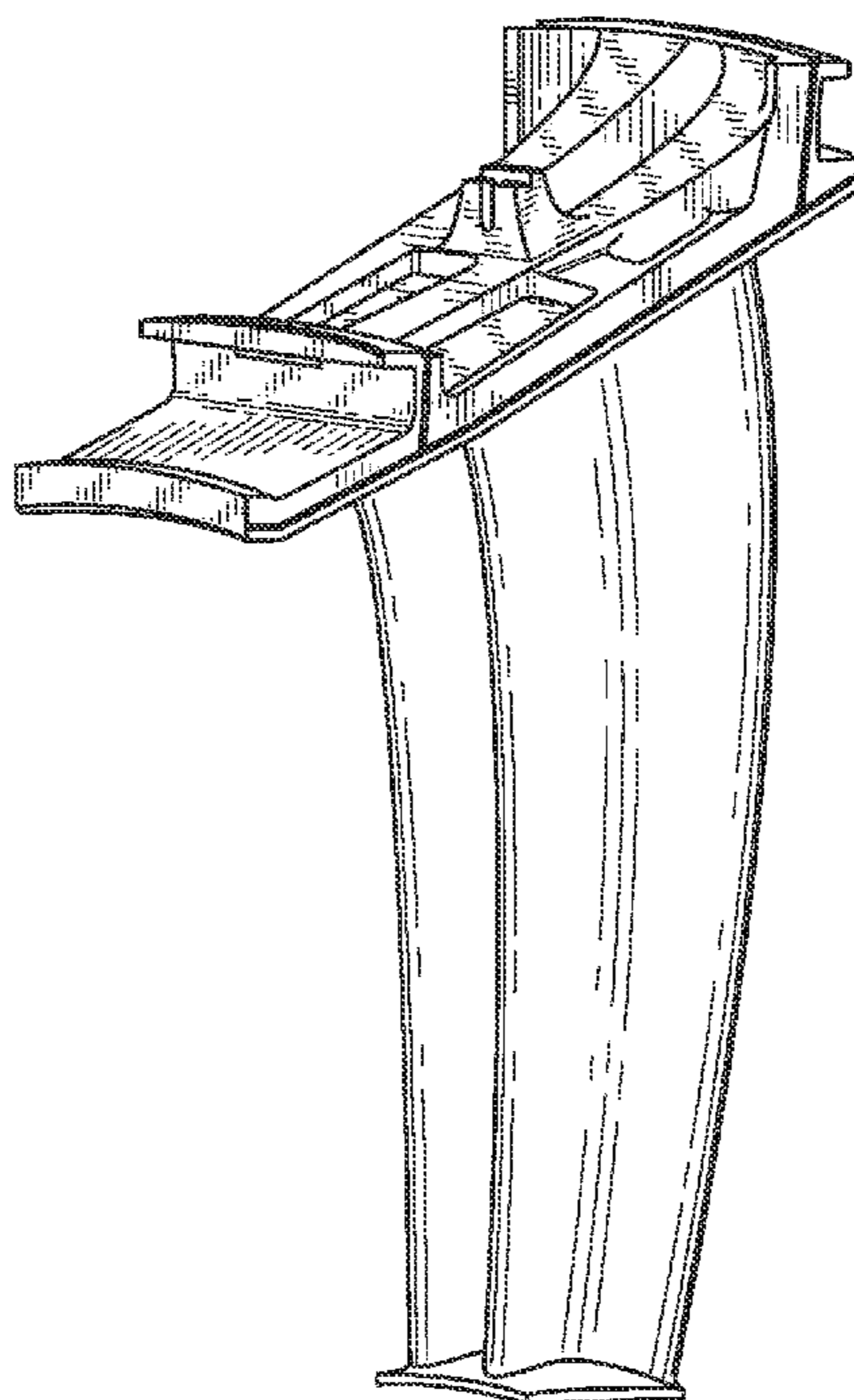
U.S. PATENT DOCUMENTS

2,751,189 A * 6/1956 Ledwith 416/217
2,796,215 A * 6/1957 Warnken 416/230
4,460,314 A * 7/1984 Fuller 416/145
7,186,089 B2 * 3/2007 Liang 416/193 A
7,334,993 B2 * 2/2008 Sekihara et al. 416/97 R

FIG. 1 is a bottom, left, front perspective view of a turbo machine blade and platform showing our new design;
FIG. 2 is a bottom, right, front perspective view of the turbo machine blade and platform shown in FIG. 1; and,
FIG. 3 is a top, right, rear perspective view of the turbo machine blade and platform shown in FIG. 1.

Portions of the turbo machine blade and platform not shown in the drawings form no part of the claimed design.

1 Claim, 3 Drawing Sheets



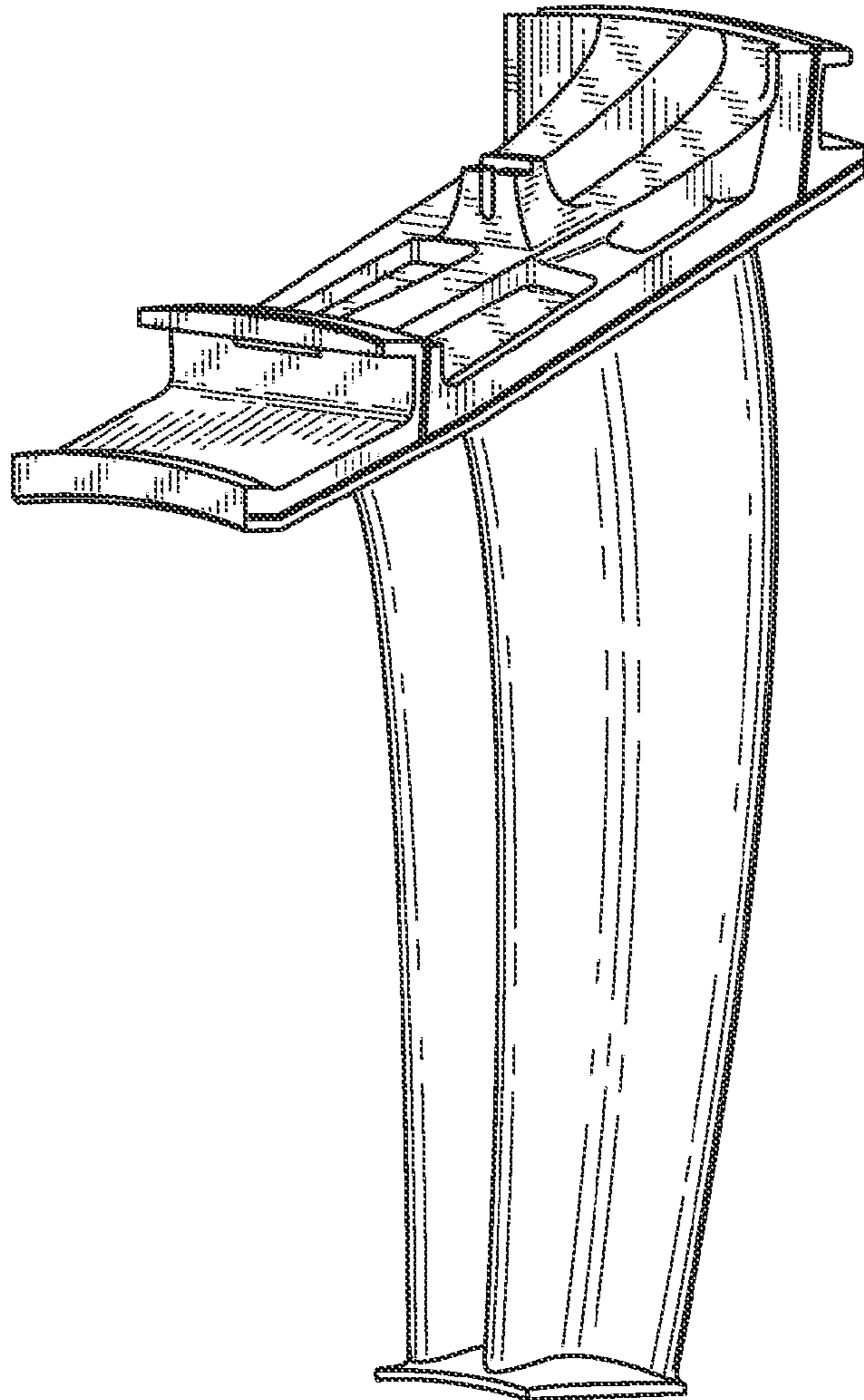


FIG. 1

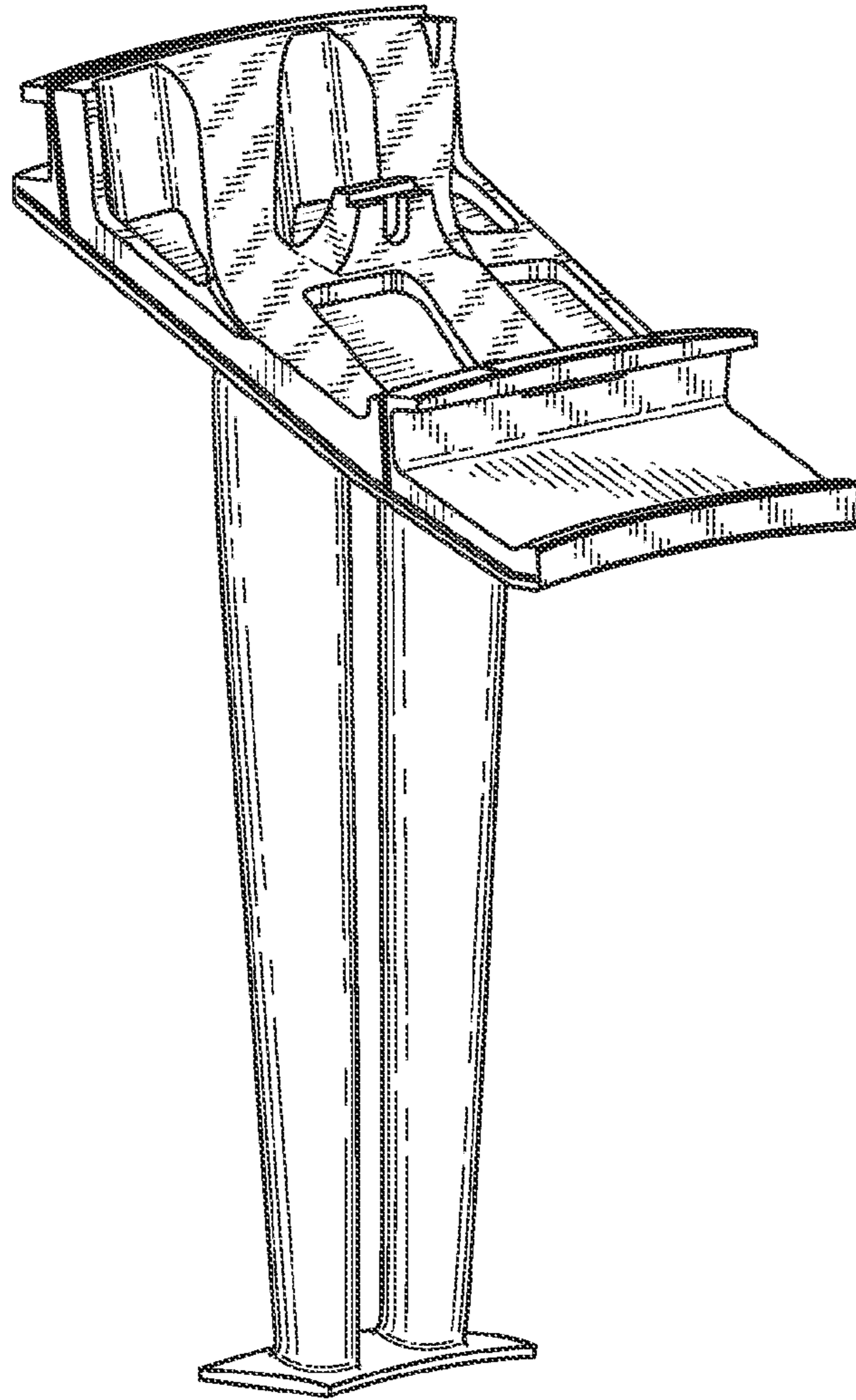


FIG. 2

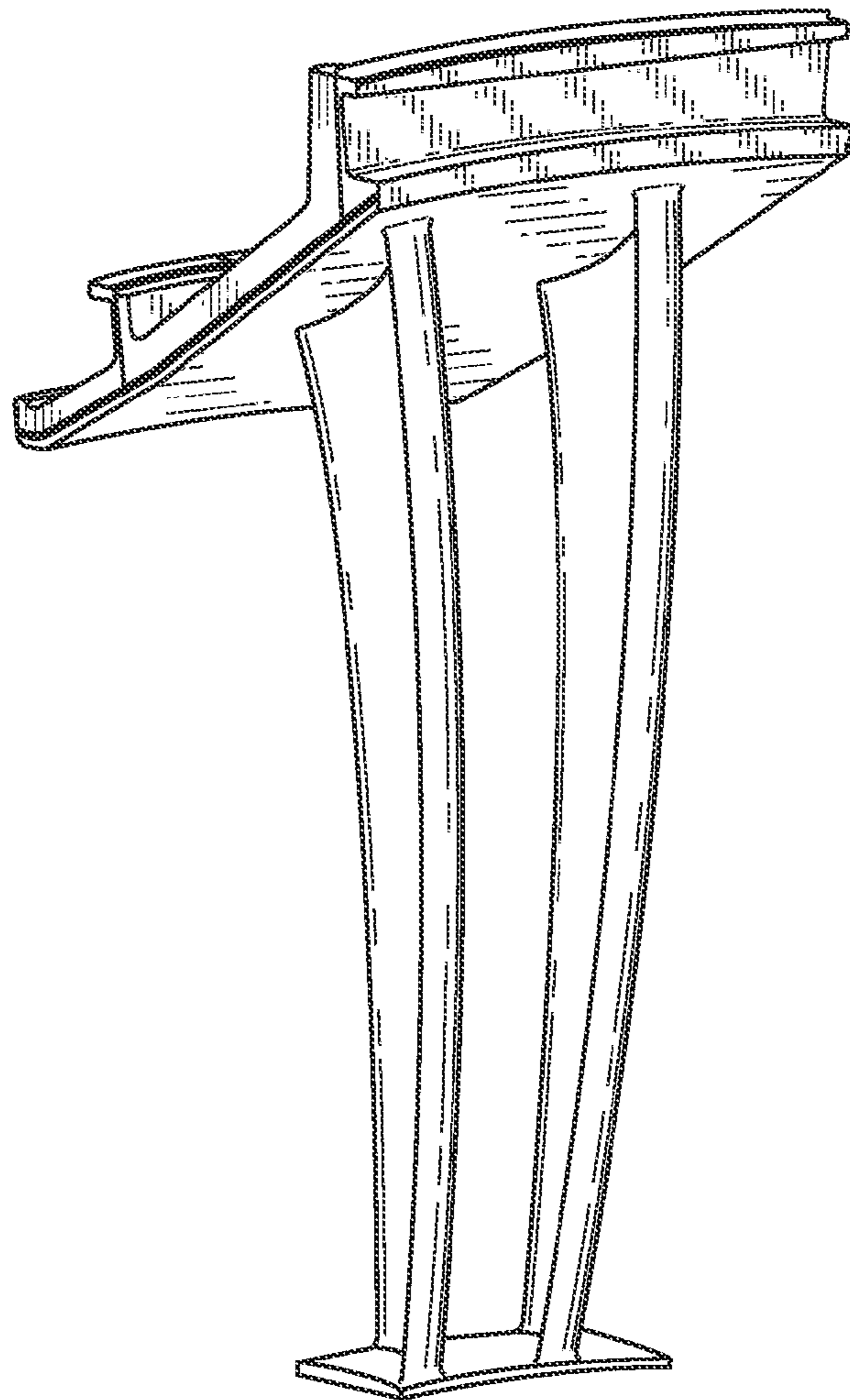


FIG. 3