



US00D586830S

(12) **United States Design Patent**  
**de Groot**

(10) **Patent No.:** **US D586,830 S**

(45) **Date of Patent:** **\*\* Feb. 17, 2009**

(54) **ICE CUBE TRAY**

(75) Inventor: **Jan-Hendrik de Groot**, Haaltert (BE)

(73) Assignee: **Dart Industries Inc.**, Orlando, FL (US)

(\*\*) Term: **14 Years**

(21) Appl. No.: **29/293,209**

(22) Filed: **Nov. 9, 2007**

(51) **LOC (9) Cl.** ..... **15-07**

(52) **U.S. Cl.** ..... **D15/90**

(58) **Field of Classification Search** ..... D15/79,  
D15/89, 90; 62/3.1, 3.6, 3.63, 3.64, 45.1,  
62/293, 331, 371, 440, 467, 529, 531; 312/236,  
312/352, 400-408; D7/354, 357; D3/203.3;  
D9/715, 737, 756-758; 220/23.2; 249/121,  
249/127, 130, 133; 425/127

See application file for complete search history.

(56) **References Cited**

**U.S. PATENT DOCUMENTS**

2,955,044	A	10/1960	Tupper	
D245,008	S	* 7/1977	LaLonde	..... D15/90
4,148,457	A	* 4/1979	Gurbin	..... 249/130
D280,293	S	* 8/1985	D'Amour et al.	..... D15/79
D346,528	S	* 5/1994	Crawford et al.	..... D7/357

D352,045	S	11/1994	Daenen et al.	
D359,966	S	7/1995	Laib et al.	
D438,792	S	* 3/2001	Pero et al.	..... D9/715
D496,374	S	* 9/2004	Zimmerman	..... D15/90
D497,077	S	10/2004	de Groot	
D513,019	S	* 12/2005	Lion et al.	..... D15/90
D560,695	S	* 1/2008	Marchionda	..... D15/90

\* cited by examiner

*Primary Examiner*—Stella M Reid  
*Assistant Examiner*—Shanda Hill

(57) **CLAIM**

The ornamental design for an ice cube tray, as shown and described.

**DESCRIPTION**

FIG. 1 is a top, side and front perspective view of an ice cube tray showing my new design;

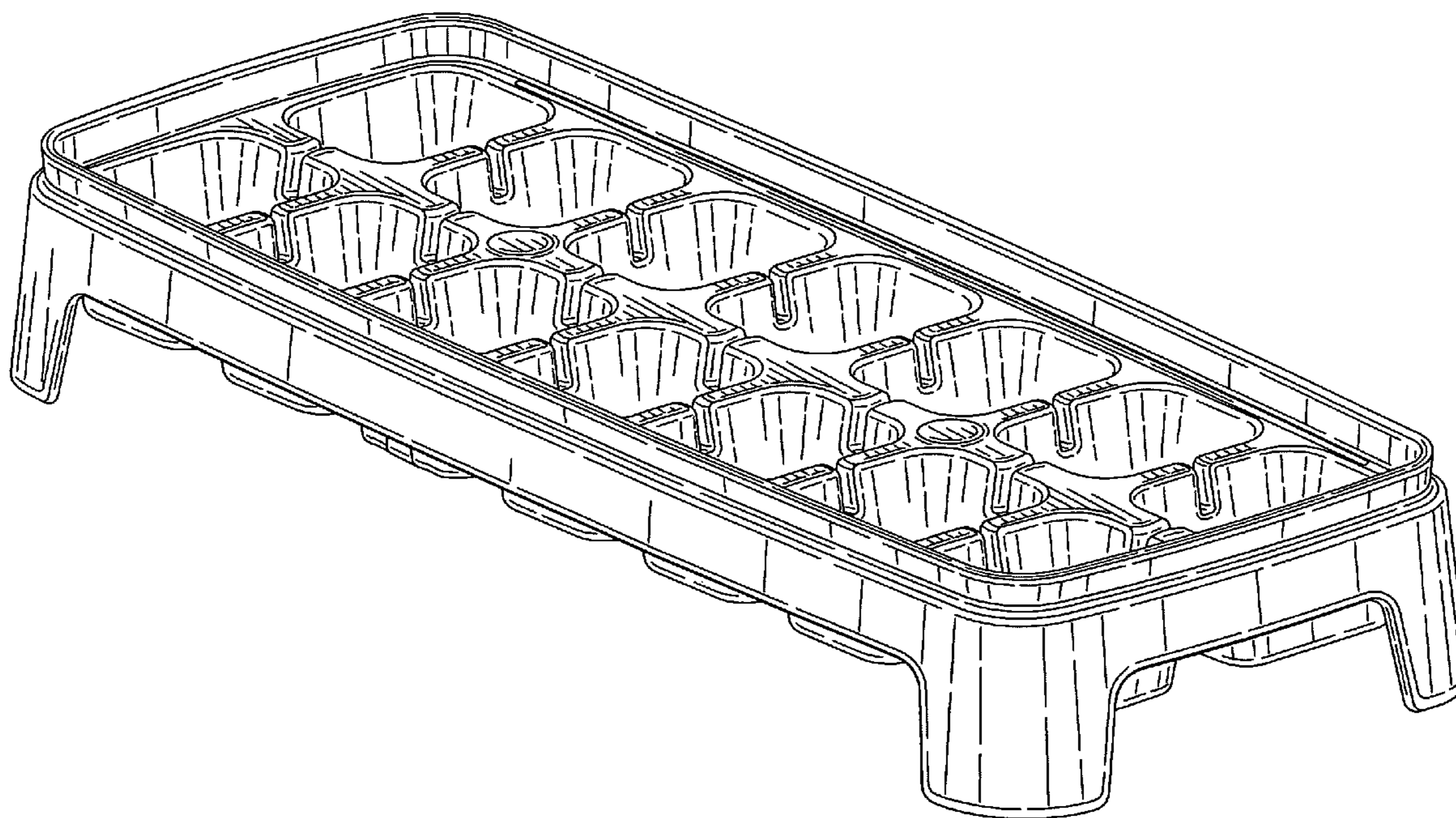
FIG. 2 is a front elevation view, the rear elevation being identical thereto;

FIG. 3 is a right side elevation view, the left side elevation being identical thereto;

FIG. 4 is a top plan view thereof; and,

FIG. 5 is a bottom plan view thereof.

**1 Claim, 4 Drawing Sheets**



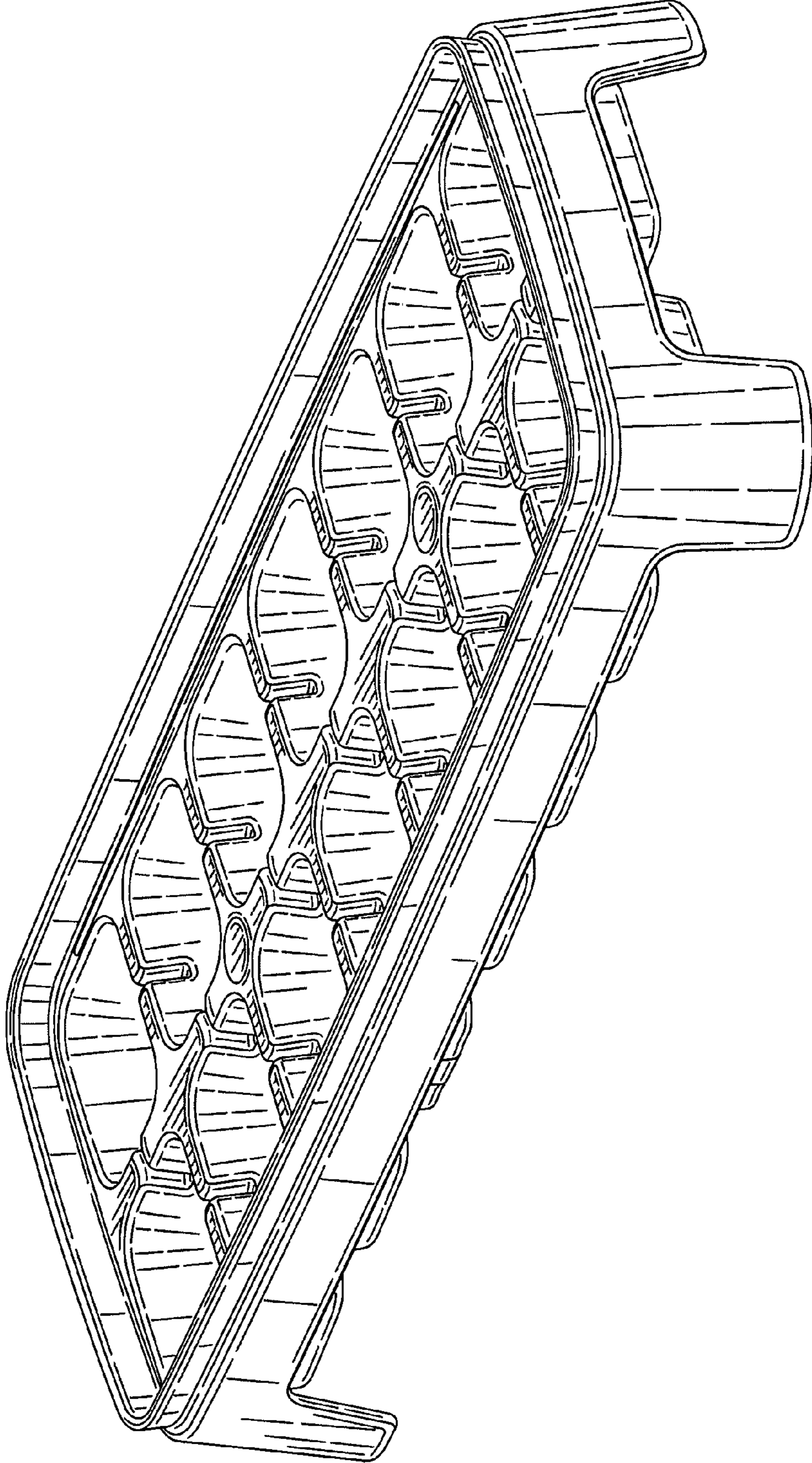


FIG. 1

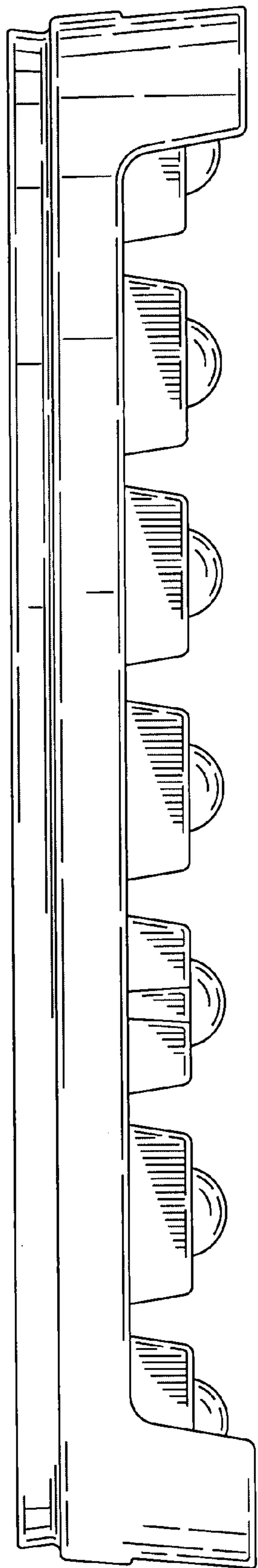


FIG. 2

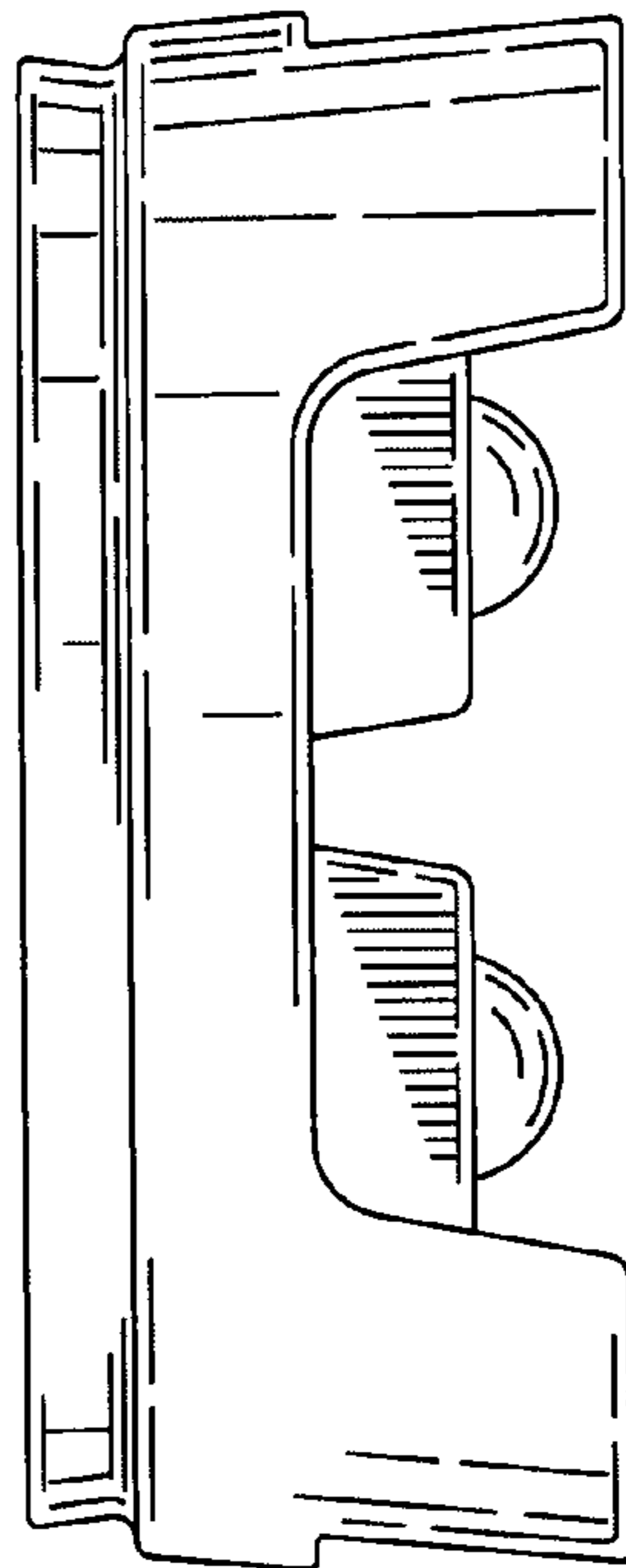


FIG. 3

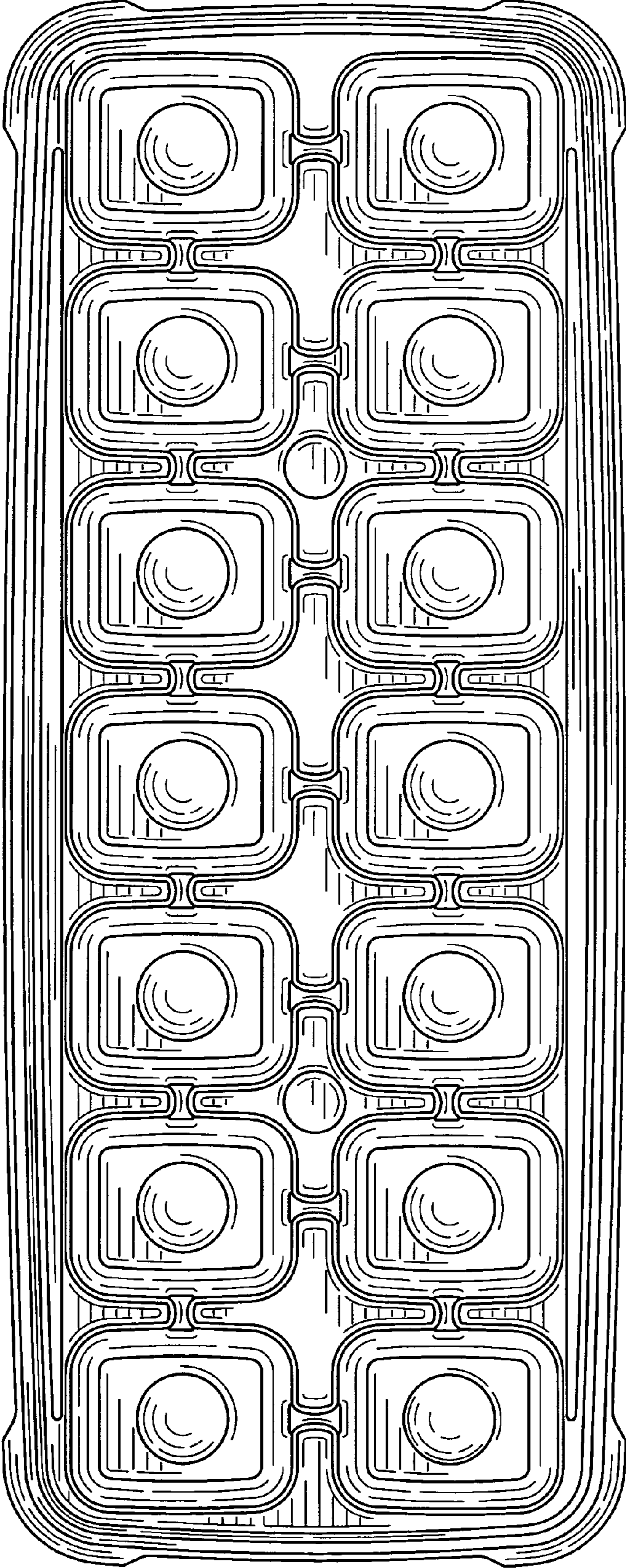


FIG. 4

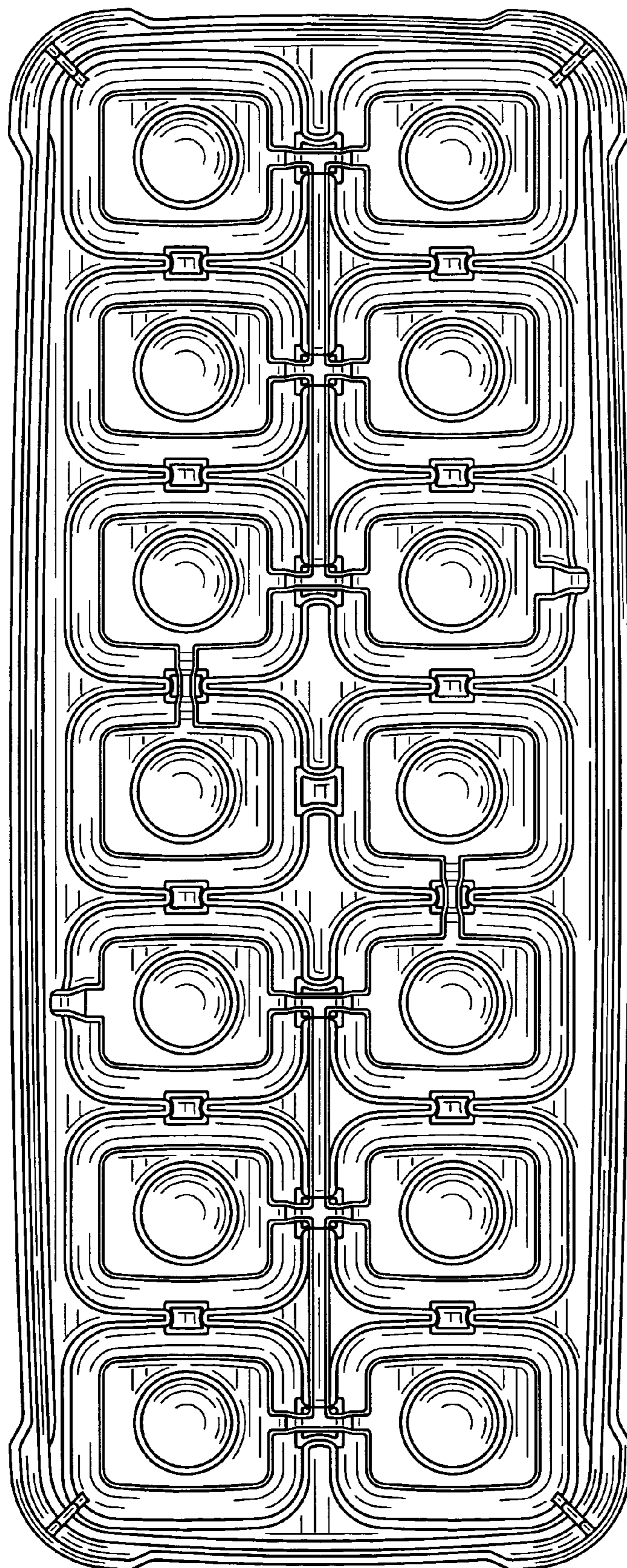


FIG. 5