



US00D586825S

(12) **United States Design Patent**  
**Cantrill et al.**

(10) **Patent No.:** **US D586,825 S**

(45) **Date of Patent:** **\*\* Feb. 17, 2009**

(54) **PUMP CASING**

D453,525 S \* 2/2002 Lutes ..... D15/7  
D512,441 S \* 12/2005 Iwata ..... D15/7

(75) Inventors: **Garth Norman Cantrill**, Seven Hills (AU); **Ana Milian**, Quakers Hill (AU)

\* cited by examiner

(73) Assignee: **Weir Minerals Australia, Ltd.**, Artarmon (AU)

*Primary Examiner*—R. Seifert

(74) *Attorney, Agent, or Firm*—Morriss O'Bryant Compagni

(\*\*) Term: **14 Years**

(57) **CLAIM**

(21) Appl. No.: **29/307,702**

The ornamental design for the pump casing, as shown and described herein.

(22) Filed: **May 6, 2008**

(30) **Foreign Application Priority Data**

Nov. 6, 2007 (AU) ..... 20652/2007

**DESCRIPTION**

(51) **LOC (9) Cl.** ..... **15-02**

FIG. 1 is a perspective view from the drive side of the pump casing design of the present invention;

(52) **U.S. Cl.** ..... **D15/7**

FIG. 2 is a plan view of the pump casing looking into the drive side opening of the pump casing;

(58) **Field of Classification Search** ..... D15/7-9;  
D23/231, 232, 225; 417/410.1, 359, 415-416,  
417/234, 321, 265, 405

FIG. 3 is a view in elevation of the pump casing with the drive side of the pump casing being oriented upwardly;

See application file for complete search history.

FIG. 4 is a perspective view of the pump casing as seen from the suction side of the pump casing; and,

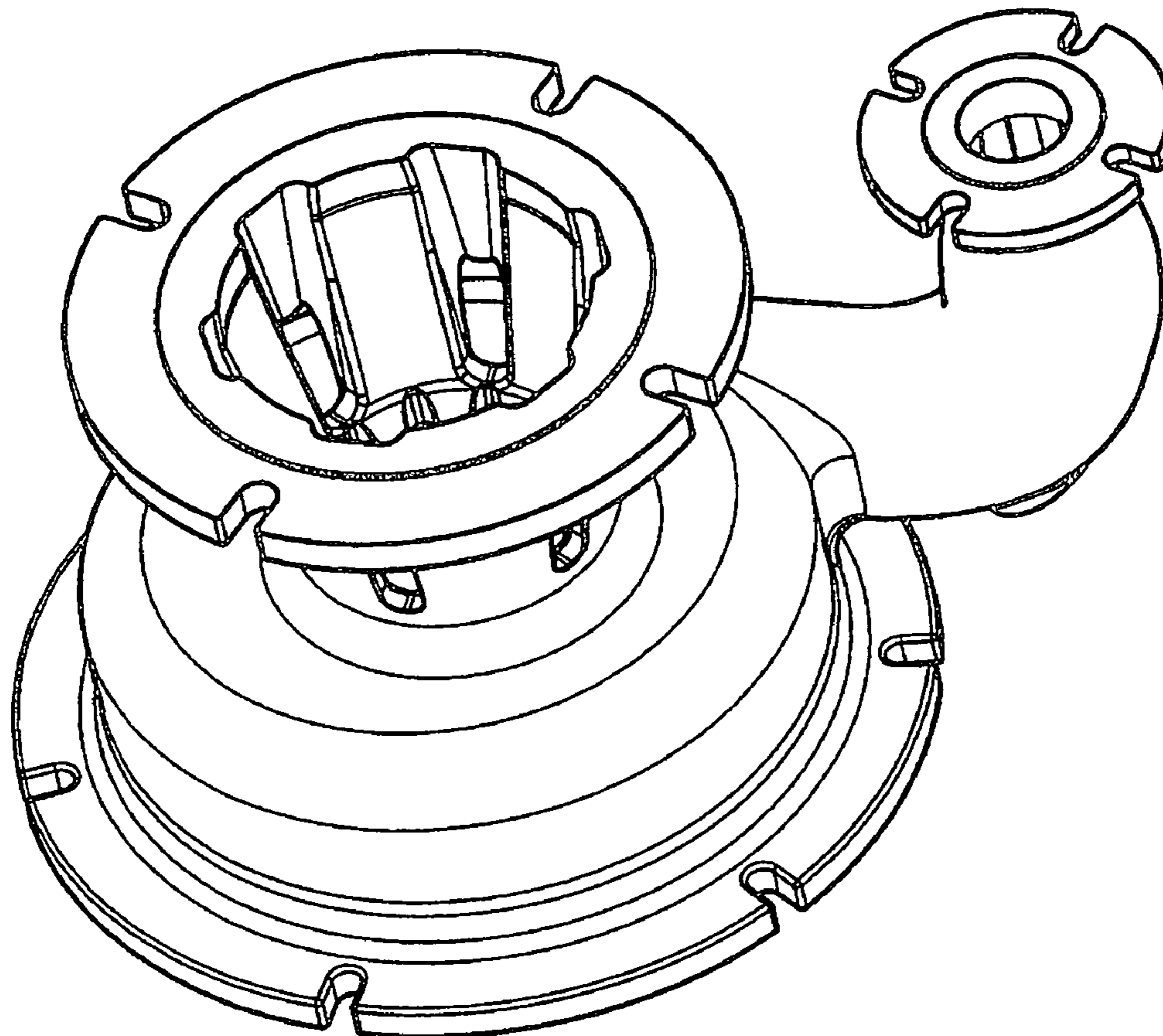
(56) **References Cited**

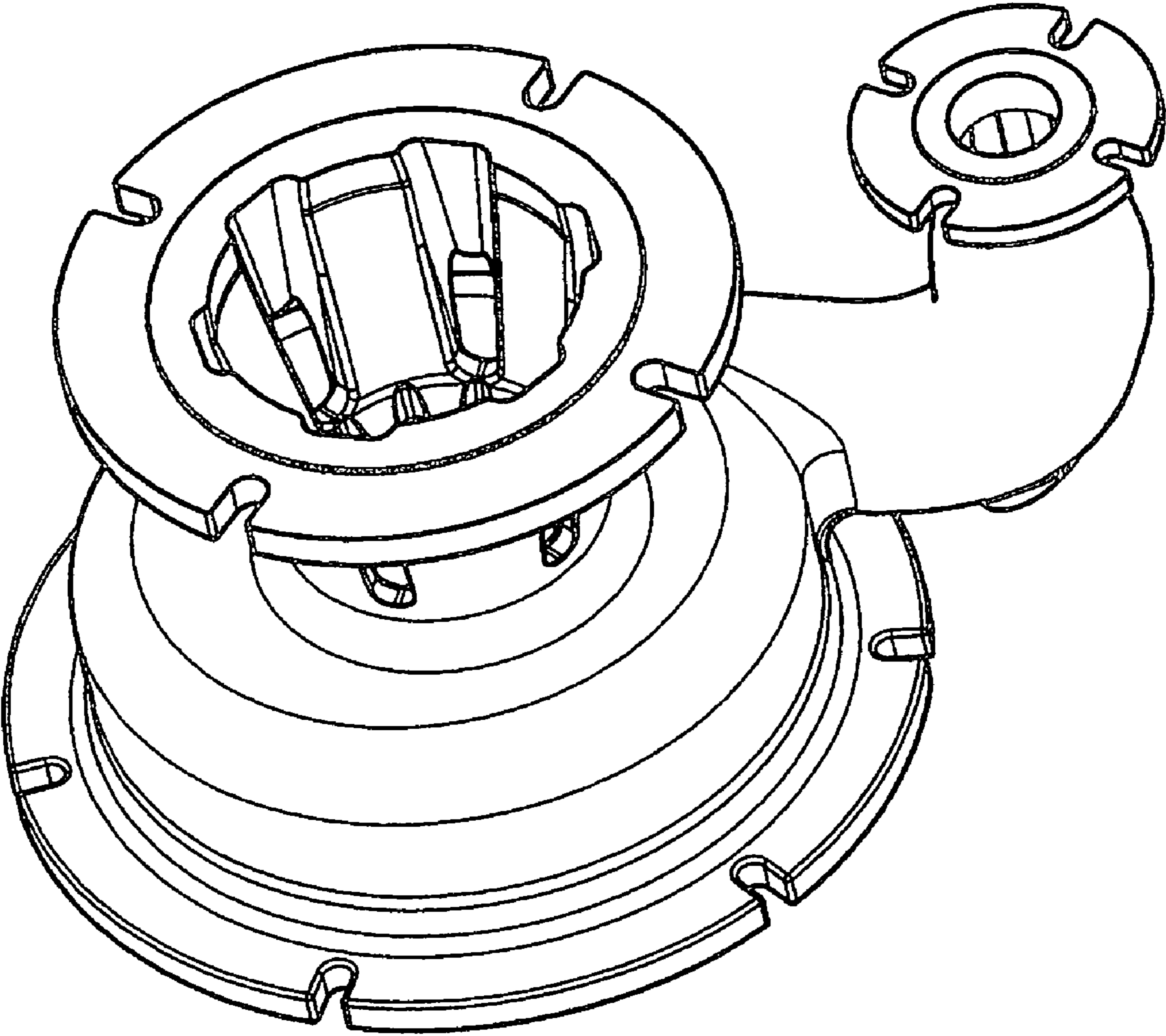
FIG. 5 is a plan view of the pump casing as viewed looking into the suction side of the pump casing.

**U.S. PATENT DOCUMENTS**

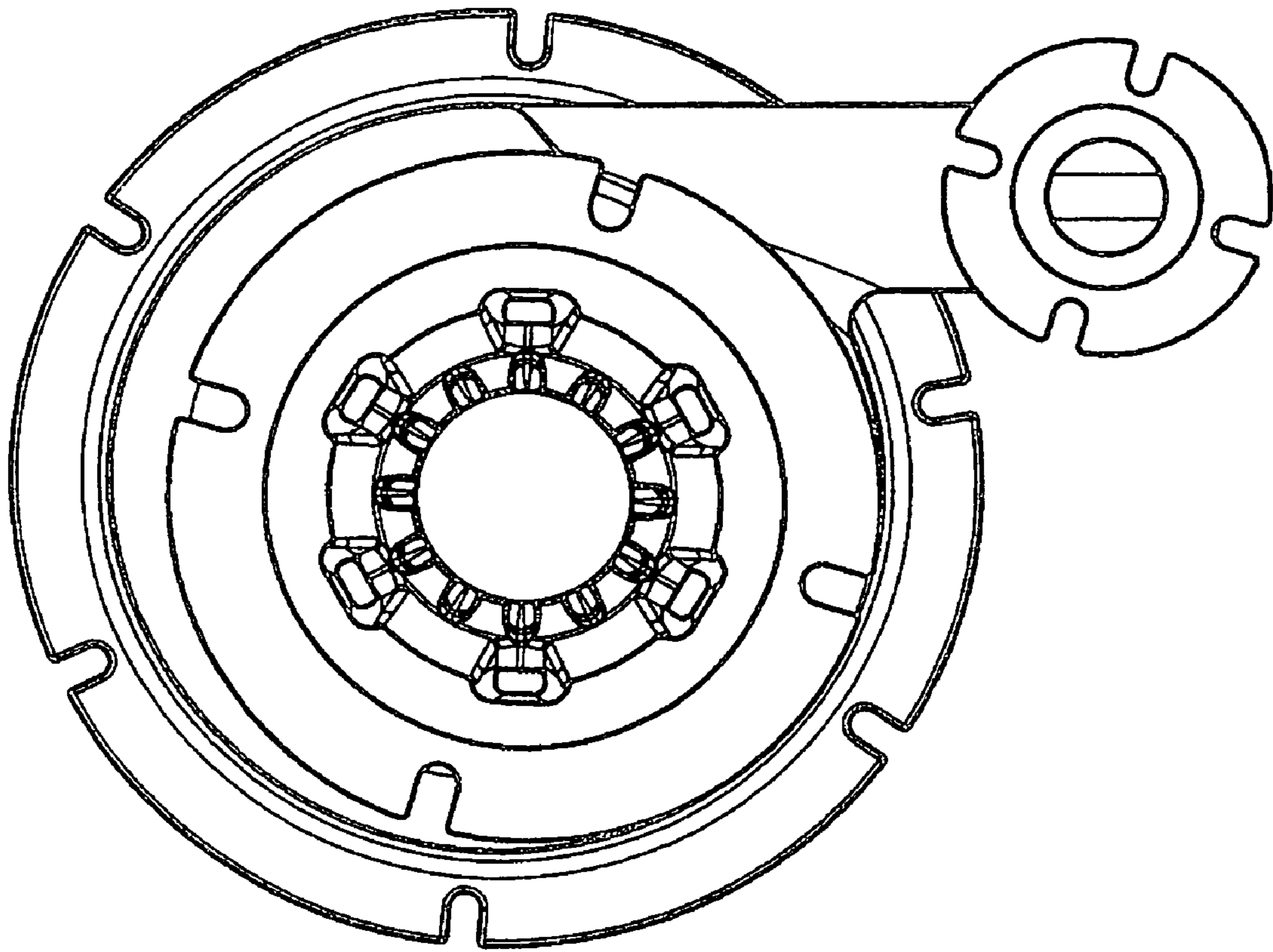
D450,327 S \* 11/2001 Mori et al. .... D15/7

**1 Claim, 5 Drawing Sheets**

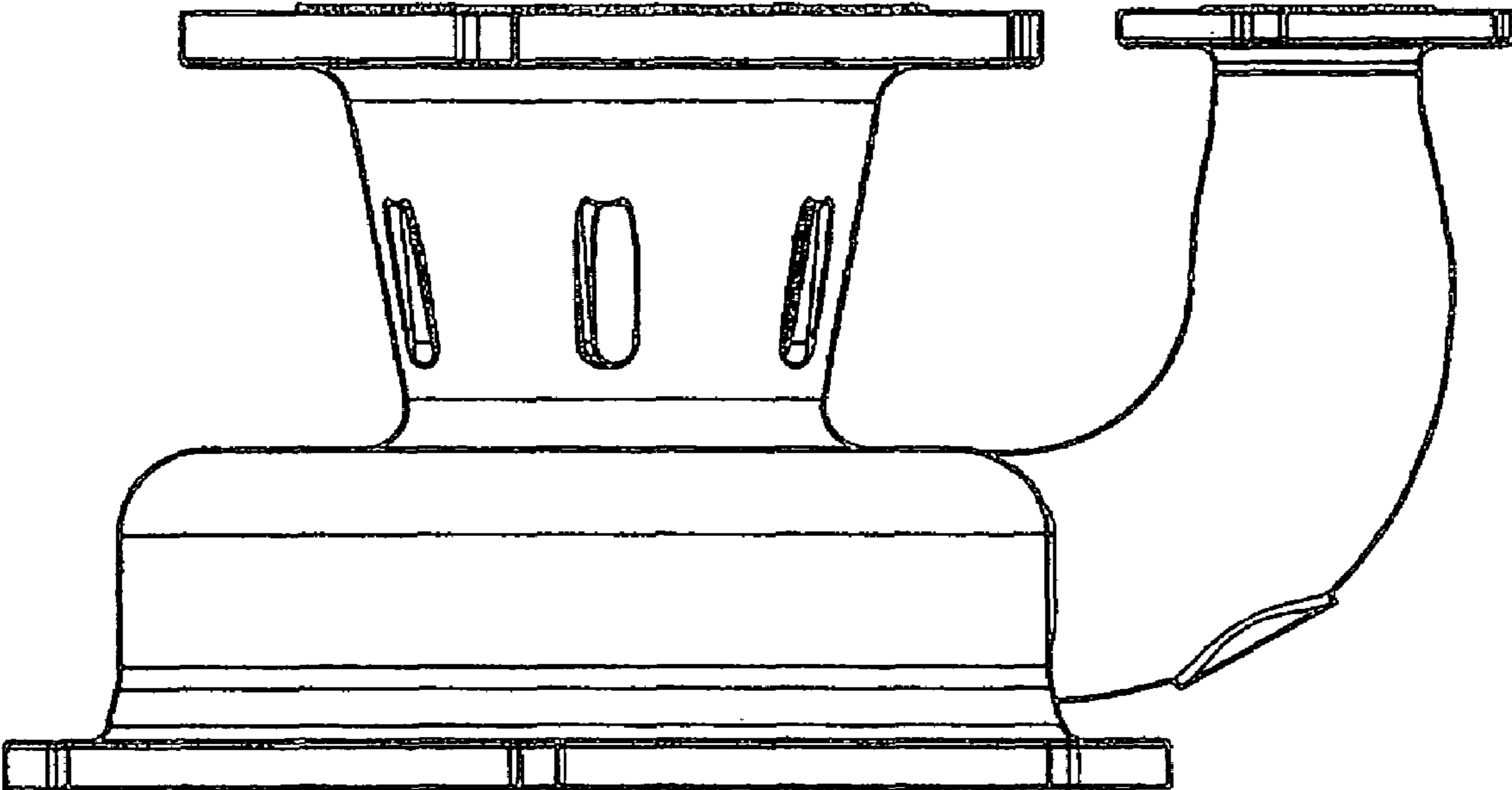




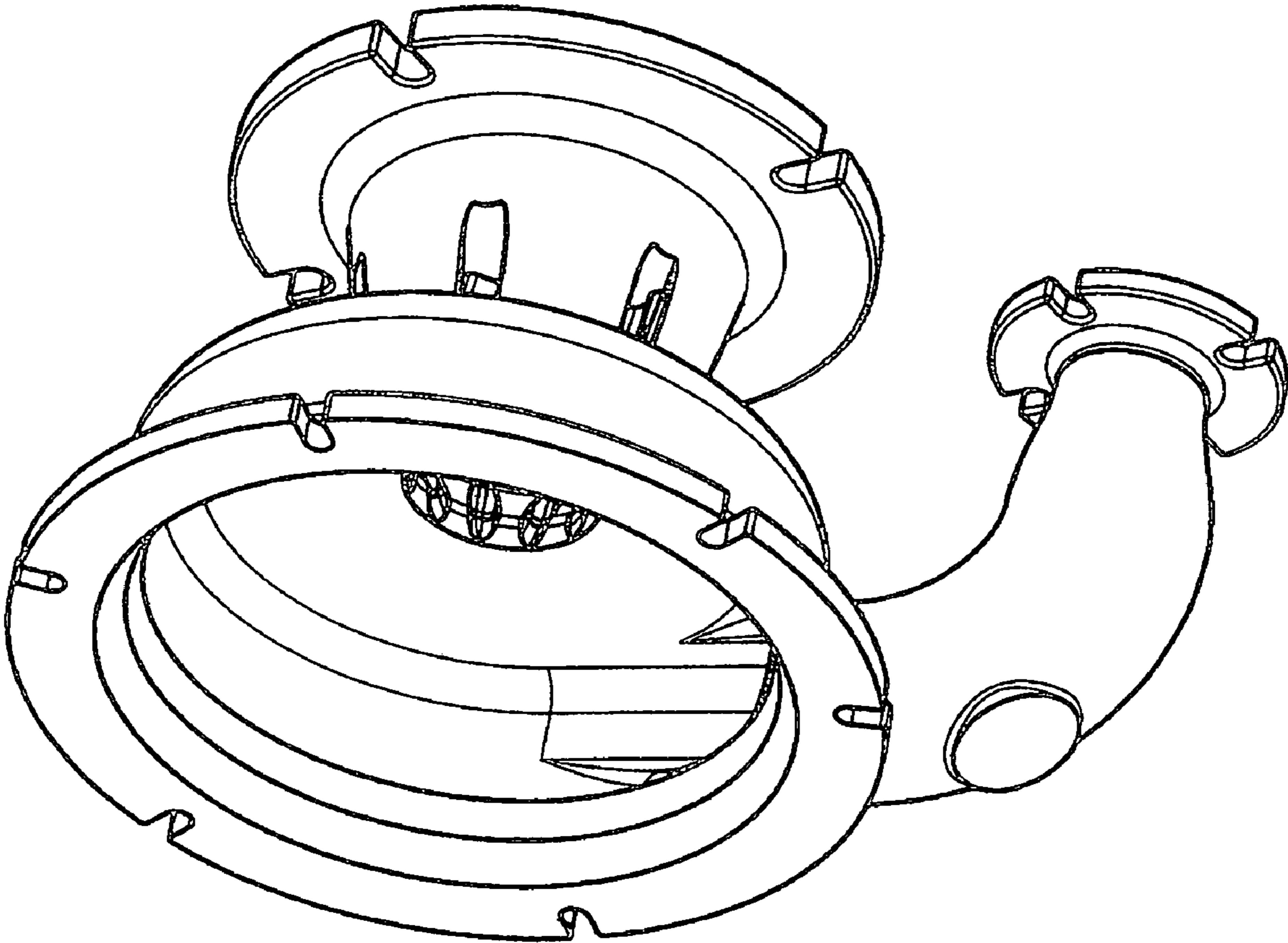
**FIG. 1**



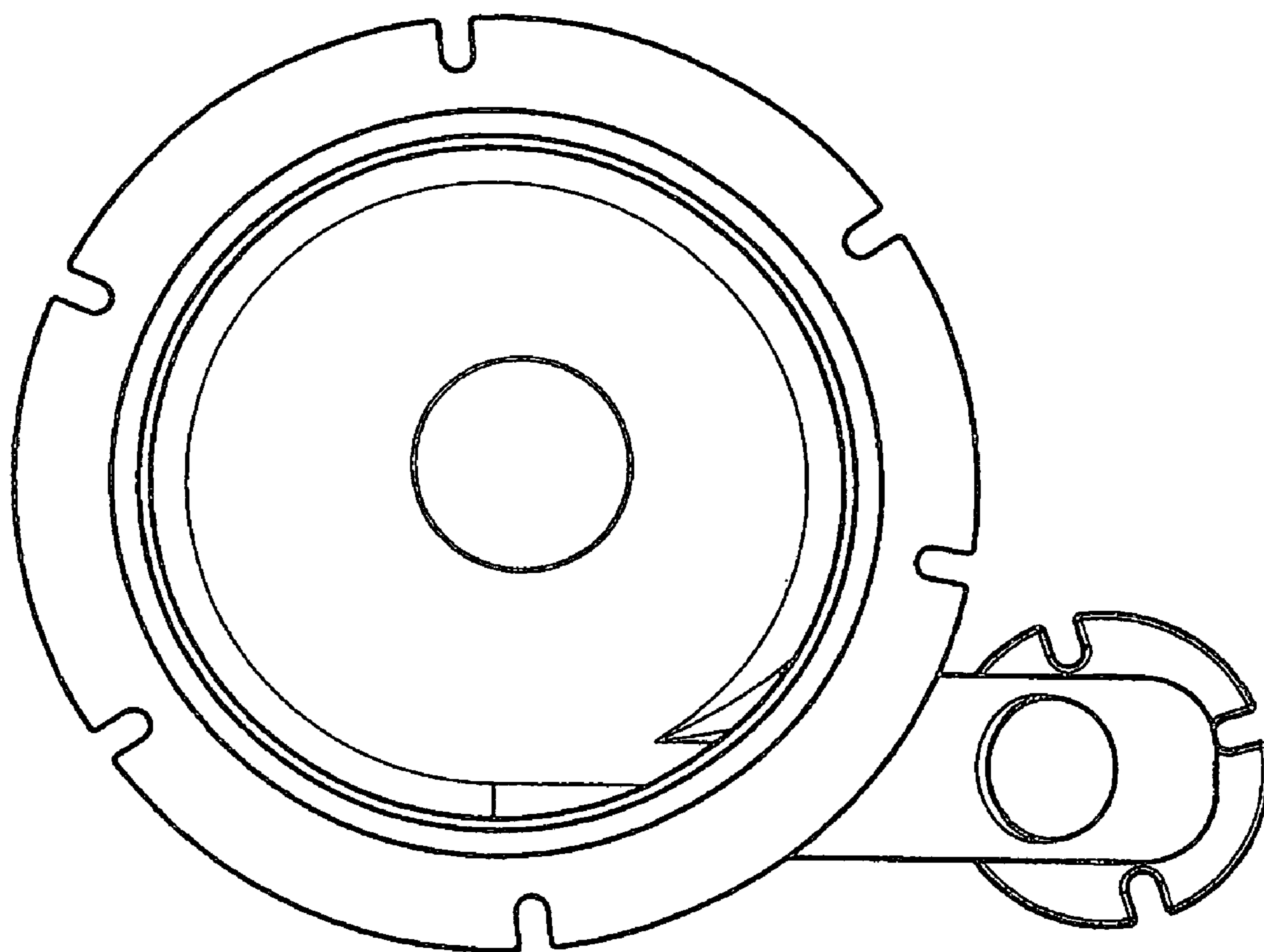
**FIG. 2**



**FIG. 3**



*FIG. 4*



*FIG. 5*