



US00D586824S

(12) **United States Design Patent**
Yamakawa

(10) **Patent No.:** **US D586,824 S**
(45) **Date of Patent:** **** Feb. 17, 2009**

(54) **HARD DISC RECORDER**

FOREIGN PATENT DOCUMENTS

(75) Inventor: **Yasuki Yamakawa**, Kanagawa (JP)

JP D993879 10/1997

JP D1147628 7/2002

JP D1299698 5/2007

(73) Assignee: **Panasonic Corporation**, Osaka (JP)

* cited by examiner

(**) Term: **14 Years**

Primary Examiner—Nanda Bondade

(21) Appl. No.: **29/318,798**

(74) *Attorney, Agent, or Firm*—Brinks Hofer Gilson & Lione

(22) Filed: **May 28, 2008**

(57) **CLAIM**

(30) **Foreign Application Priority Data**

I claim the ornamental design for a hard disc recorder, as shown and described.

Nov. 29, 2007 (JP) 2007-032747

DESCRIPTION

(51) **LOC (9) Cl.** **14-01**

FIG. 1 is a front perspective view of a hard disc recorder of the present invention;

(52) **U.S. Cl.** **D14/500**

FIG. 2 is a front view thereof;

(58) **Field of Classification Search** D14/496,

FIG. 3 is a first side view thereof;

D14/498-511, 167-168, 188, 197-198, 357;

FIG. 4 is a second side view thereof;

360/99.02, 99.07; 369/75.11, 75.21, 77.11,

FIG. 5 is a top view thereof; and,

369/77.21; 720/601, 612, 619, 649, 655;

FIG. 6 is a bottom view thereof.

455/344, 347-351

See application file for complete search history.

The broken line showing of hard disc recorder is included for the purpose of illustrating environment and forms no part of the claimed design.

(56) **References Cited**

U.S. PATENT DOCUMENTS

D441,375 S * 5/2001 Hisatsune et al. D14/496

D527,390 S * 8/2006 Millar et al. D14/496

D534,142 S * 12/2006 Nakajima et al. D14/135

1 Claim, 4 Drawing Sheets

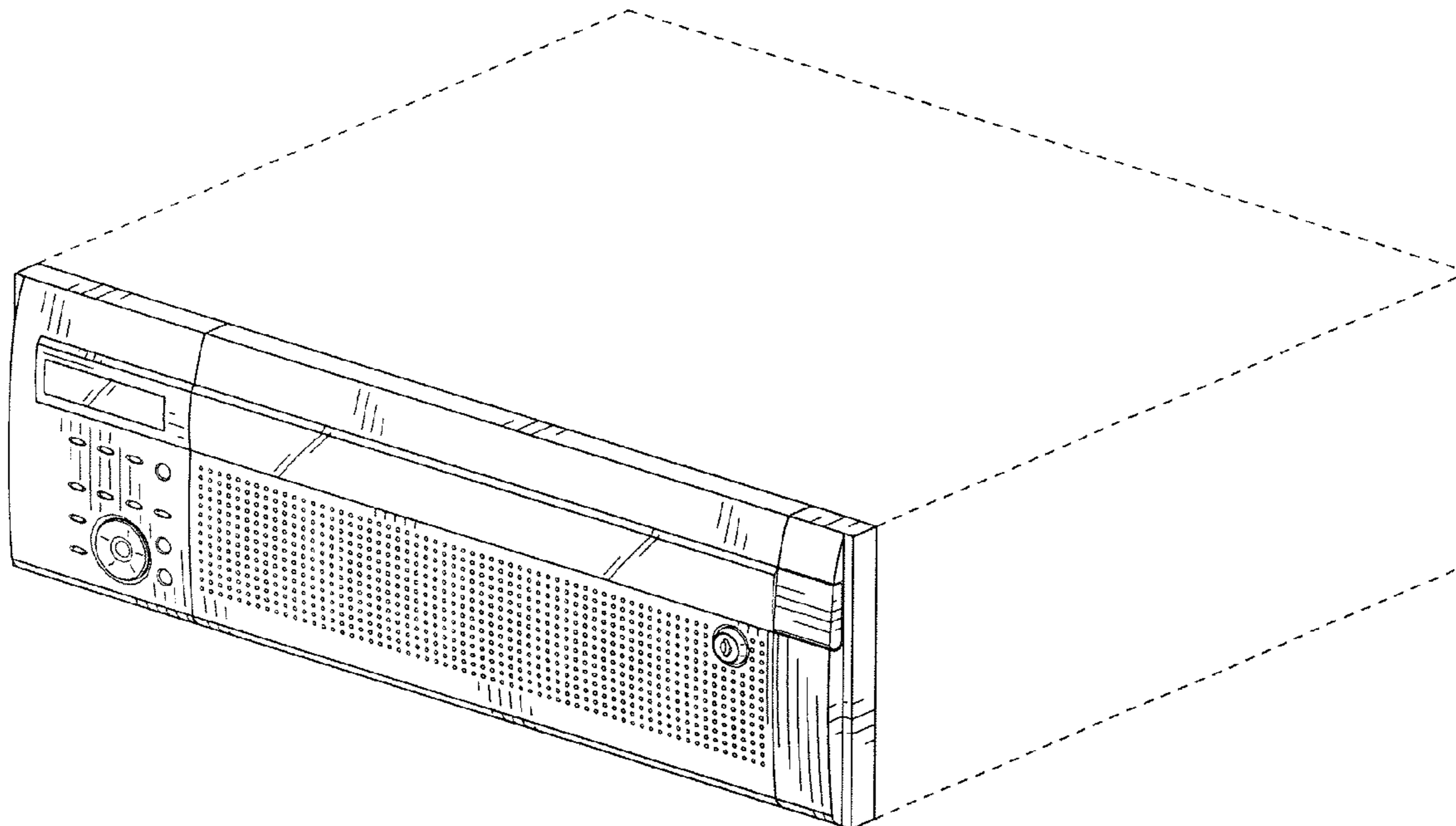


FIG.1

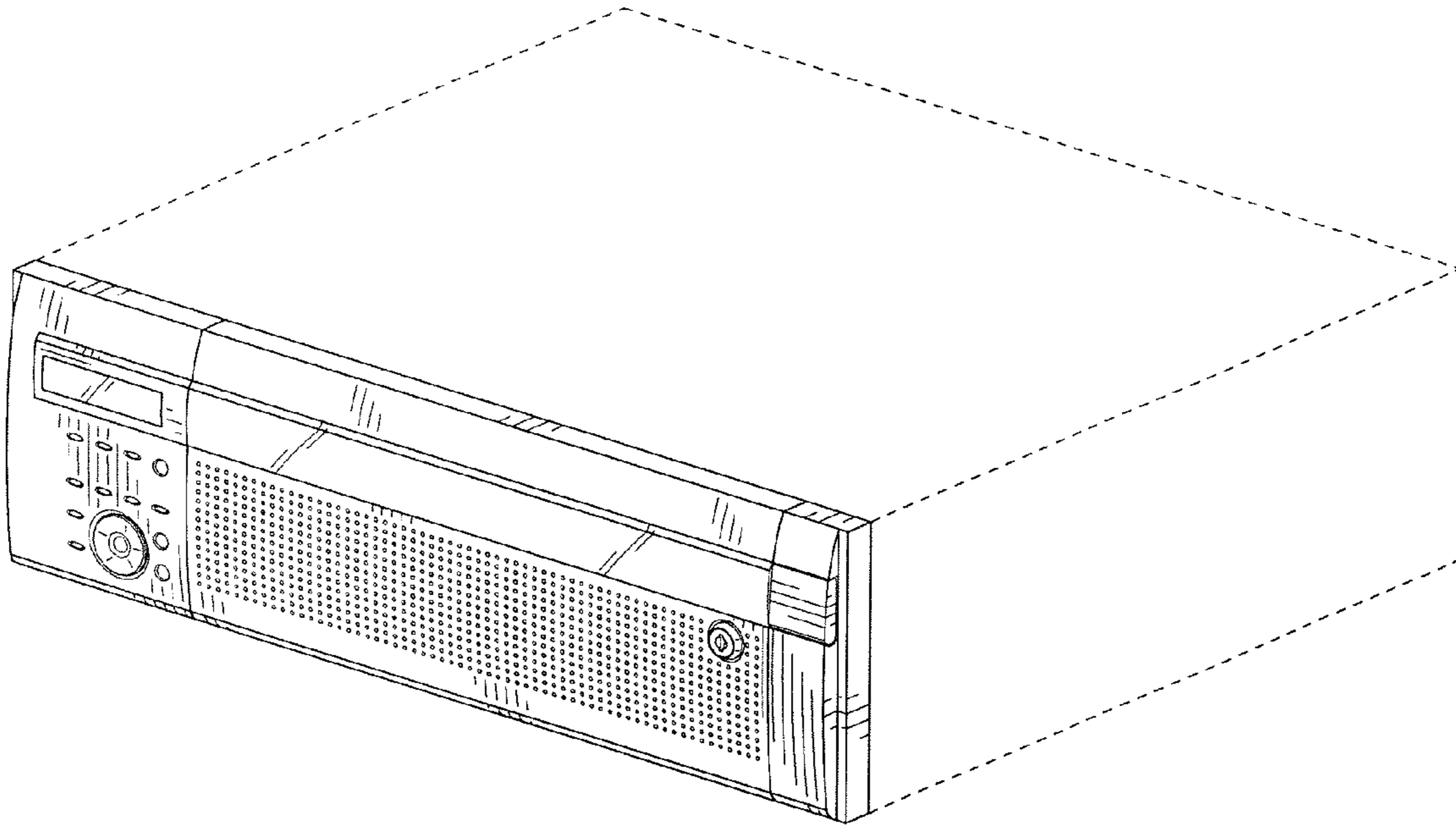


FIG.2

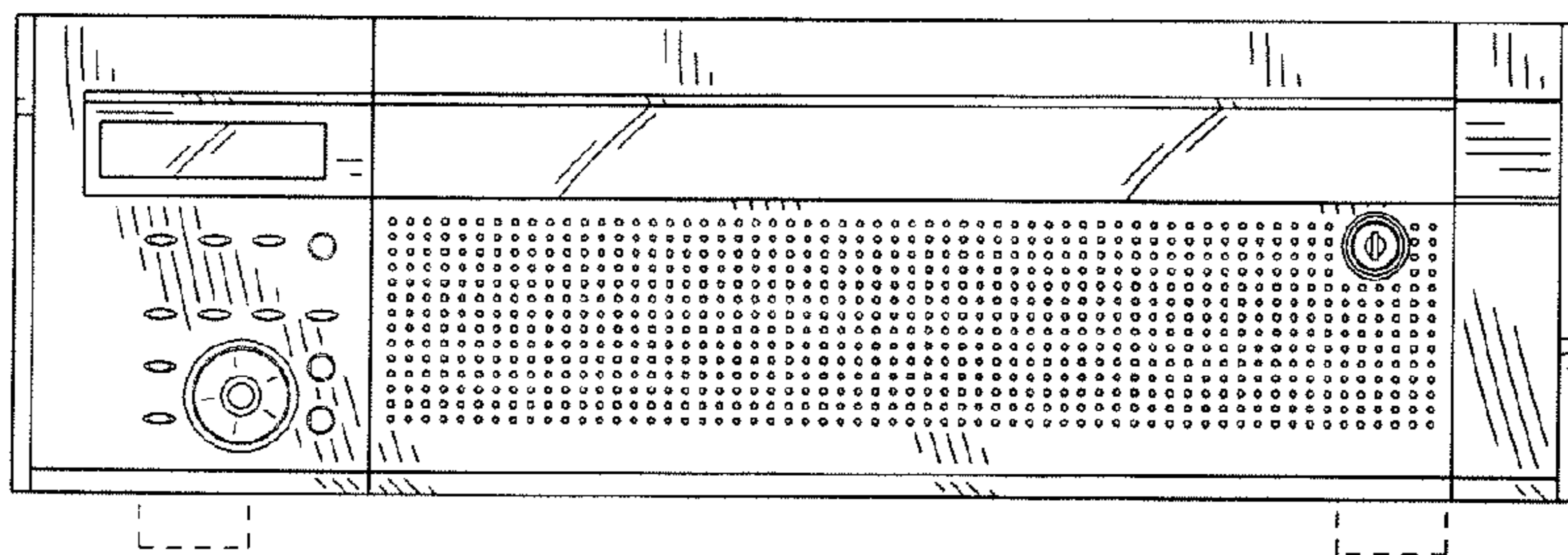


FIG.3

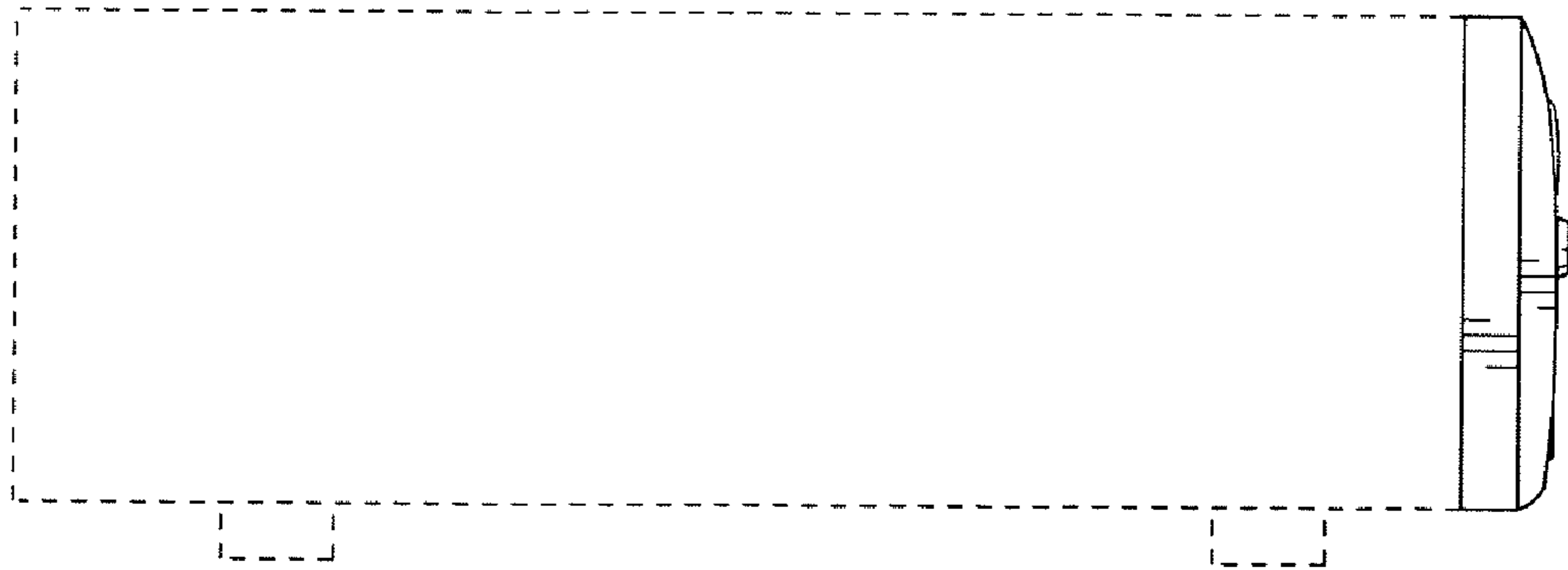


FIG.4

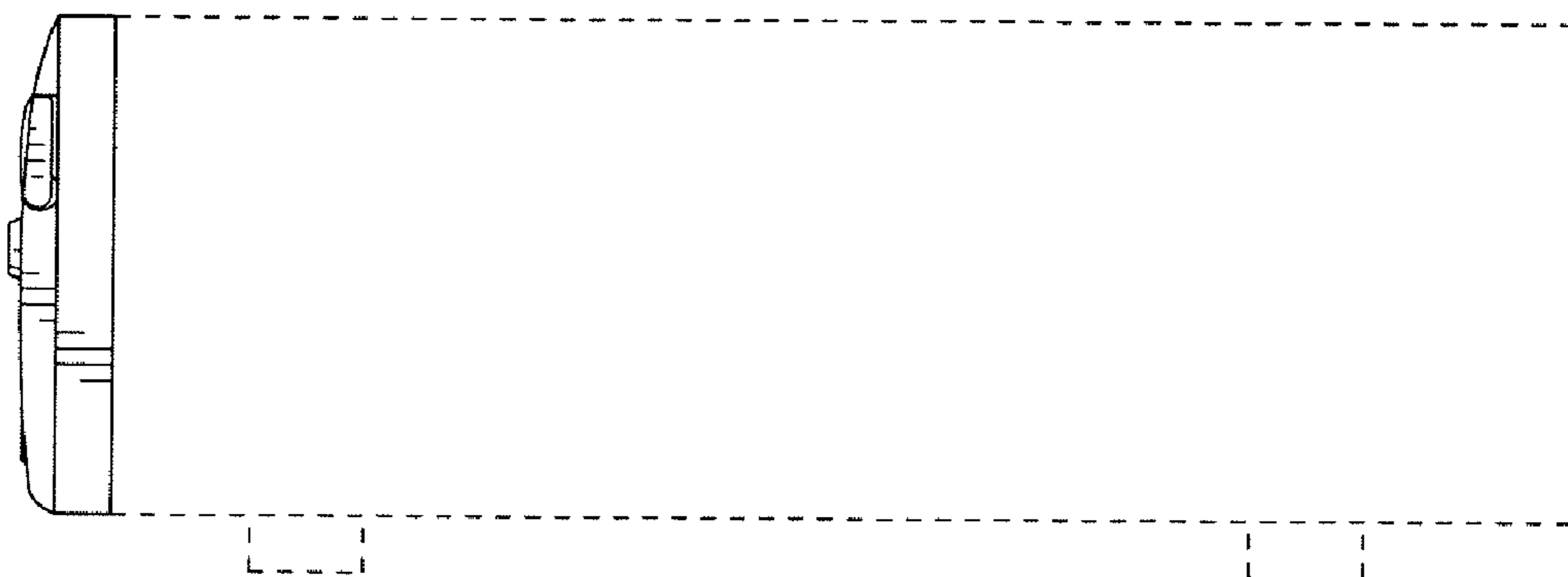


FIG.5

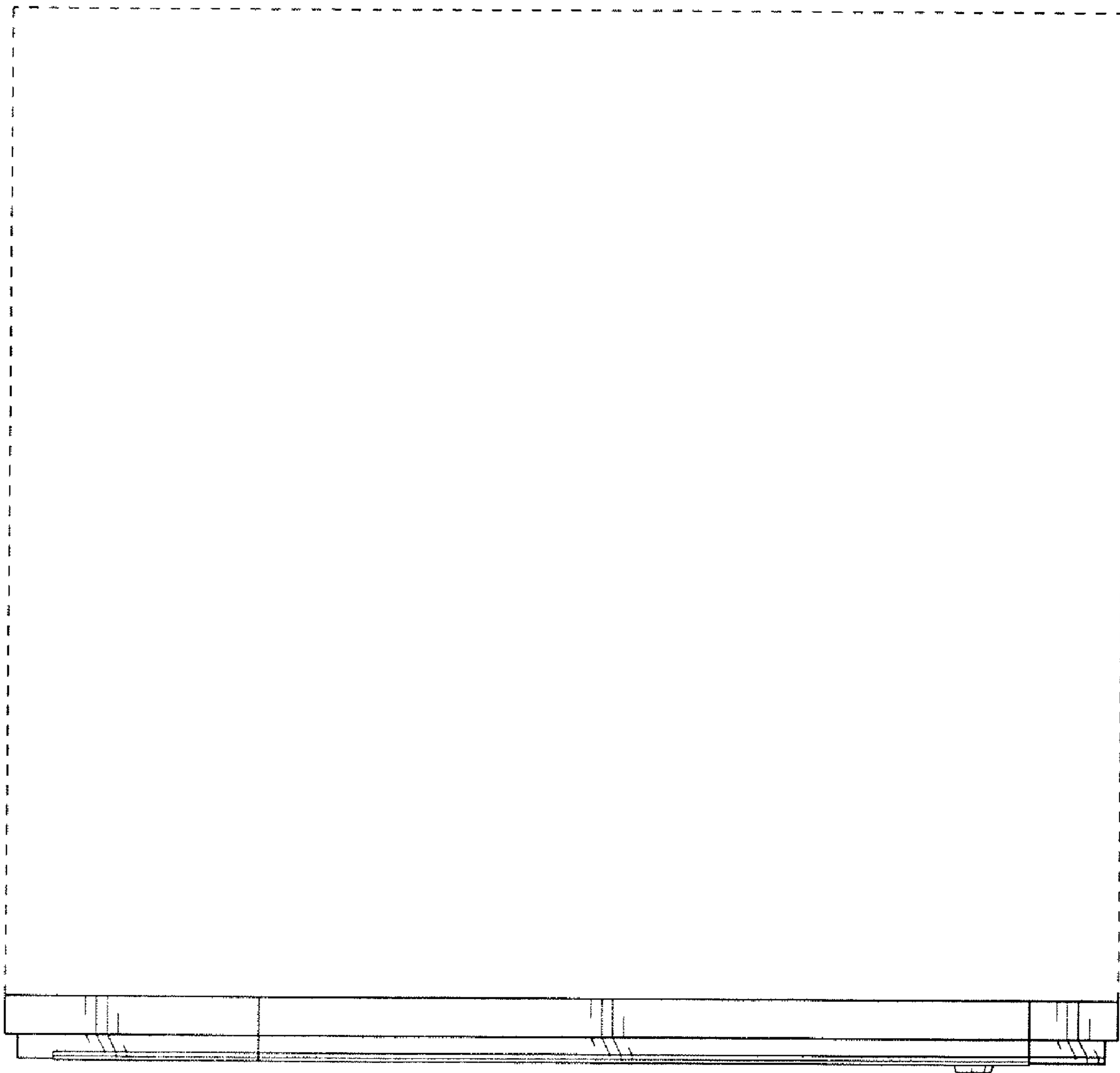


FIG.6

