



US00D586823S

(12) **United States Design Patent**
Anderson et al.

(10) **Patent No.:** **US D586,823 S**
(45) **Date of Patent:** **** Feb. 17, 2009**

- (54) **ELECTRONIC DEVICE TO BE WORN ON THE ARM**
- (75) Inventors: **Robert C. Anderson**, Cumming, GA (US); **James Pierce**, Cumming, GA (US)
- (73) Assignee: **L-3 Communications Corporation**, New York, NY (US)
- (**) Term: **14 Years**
- (21) Appl. No.: **29/319,011**
- (22) Filed: **Jun. 2, 2008**

Related U.S. Application Data

- (62) Division of application No. 29/247,928, filed on Jul. 20, 2006, now Pat. No. Des. 572,266.

- (51) **LOC (9) Cl.** **14-03**
- (52) **U.S. Cl.** **D14/496; D21/329**
- (58) **Field of Classification Search** D14/496, D14/155, 160-173, 217, 257, 258; D21/324, D21/328, 329; D3/215, 218, 904; 273/148 B; 463/1, 29-35, 46, 47; 369/75.11, 1; 455/344-351; 224/164, 165, 175, 178, 218-221; 368/3, 368/9, 10, 278, 281-285

See application file for complete search history.

(56) **References Cited**

U.S. PATENT DOCUMENTS

- 5,181,009 A * 1/1993 Perona 340/407.1
- D341,094 S * 11/1993 Austin D10/46.1
- 5,265,009 A * 11/1993 Colavita 463/1
- D347,733 S 6/1994 Miller
- D350,351 S 9/1994 Nakamura
- 5,355,352 A 10/1994 Kobayashi et al.
- 5,386,933 A 2/1995 Greene et al.
- D369,754 S * 5/1996 Donaldson D10/46.1
- D418,174 S 12/1999 Jankowski et al.
- D418,879 S 1/2000 Hornsby et al.
- D419,459 S 1/2000 Dickson
- D433,008 S 10/2000 Pardo
- 6,430,110 B2 8/2002 Baroche

- 6,712,501 B2 3/2004 Kinkio et al.
- 6,753,882 B2 6/2004 Nakazawa et al.
- 7,004,469 B2 2/2006 von Goeben
- 7,006,408 B2 2/2006 Chen

OTHER PUBLICATIONS

- W-B Pen and Watch; www.pensandwatches.com, printed Aug. 14, 2006, 12 pages.
- www.amazon.com; printed Jan. 19, 2006, PSP Soft Case and Wrist Strap, 6 pages.
- www.online.wsj.com, printed Nov. 2004, The Wall Street Journal Online, "The Bid Idea Defense Industry Turns to Tech Cos For Help" by Donna Fuscaldo, 2 pages.
- www.news.yahoo.com, printed Mar. 2005, Associated Press, 'Wrist Video' Give Israeli Army an Edge by Josef Federman, 2 pages.

* cited by examiner

Primary Examiner—Prabhakar Deshmukh
(74) *Attorney, Agent, or Firm*—Gardner Groff Greenwald & Villanueva, PC

(57) **CLAIM**

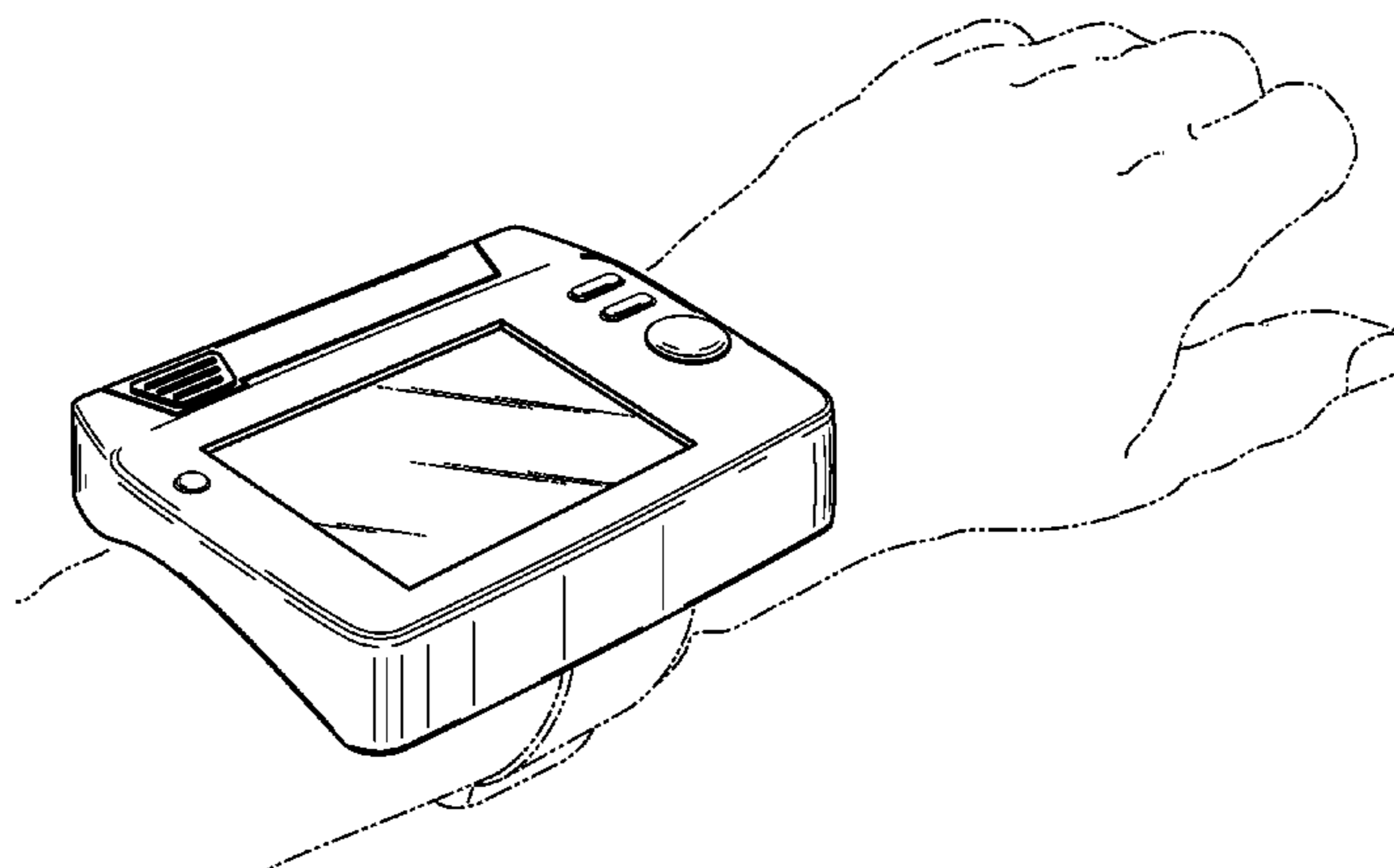
The ornamental design for an electronic device to be worn on the arm, as shown and described.

DESCRIPTION

- FIG. 1 is a perspective view of an electronic device to be worn on the arm showing our new design;
- FIG. 2 is a left side elevational view thereof;
- FIG. 3 is a right side elevational view thereof;
- FIG. 4 is a top plan view thereof;
- FIG. 5 is a bottom plan view thereof;
- FIG. 6 is a front elevational view thereof;
- FIG. 7 is a rear elevational view thereof;
- FIG. 8 is a perspective view of a second embodiment; and,
- FIG. 9 is a front elevational view of FIG. 8.

All other views of the second embodiment (FIG. 8) are the same as disclosed in FIGS. 2-5 and 7. The broken lines are for illustrative purpose only and form no part of the claimed design.

1 Claim, 5 Drawing Sheets



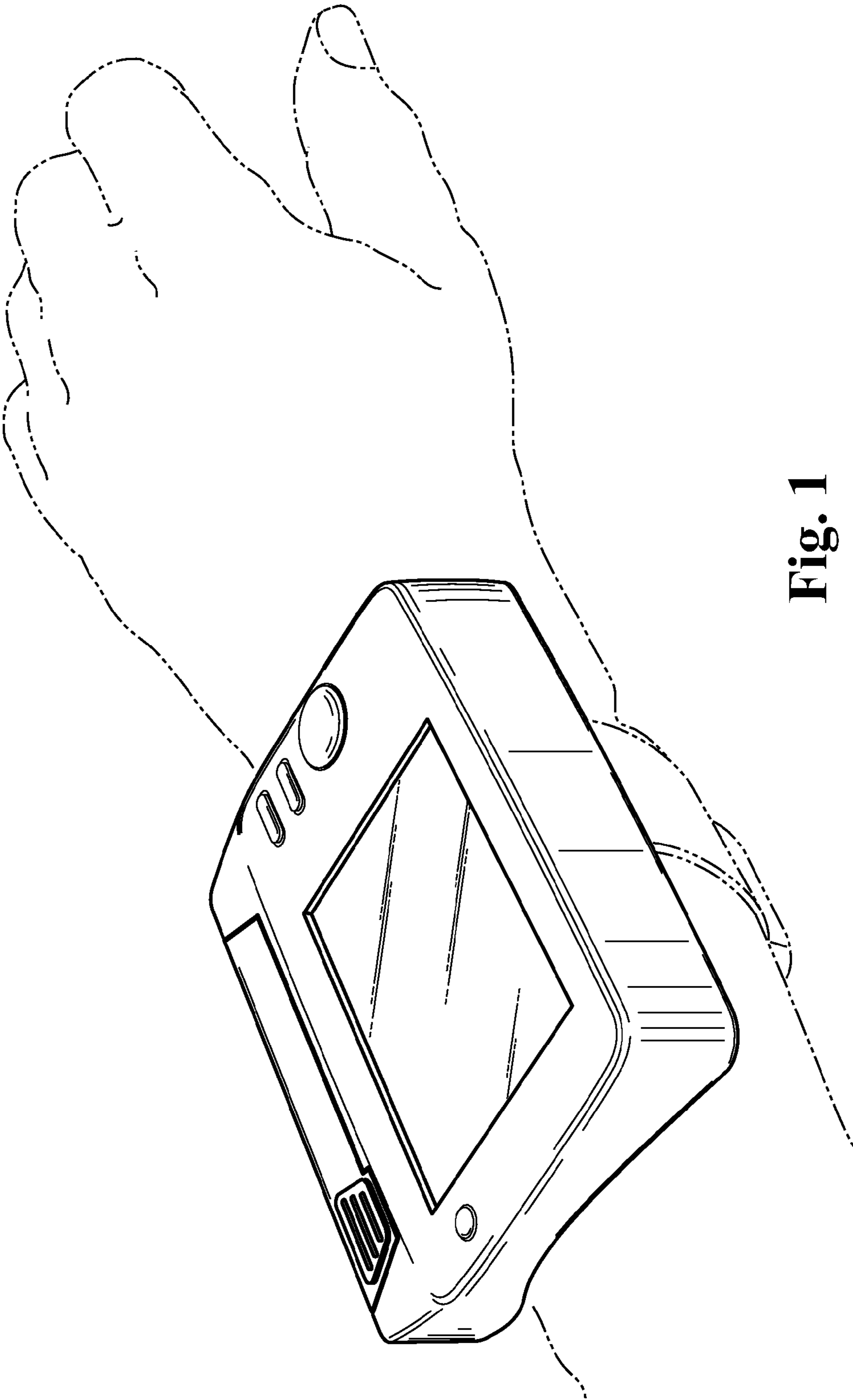


Fig. 1

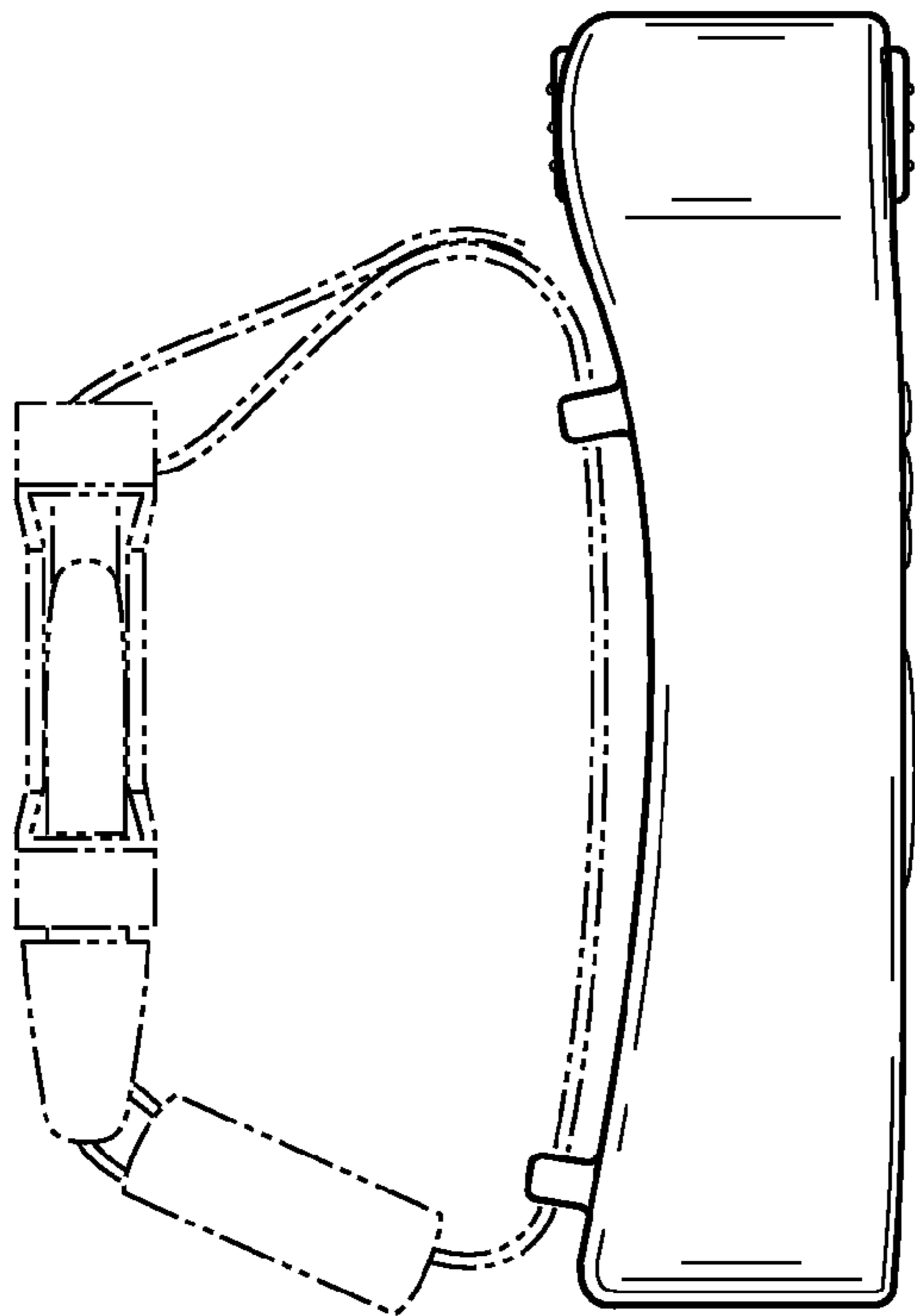


Fig. 2

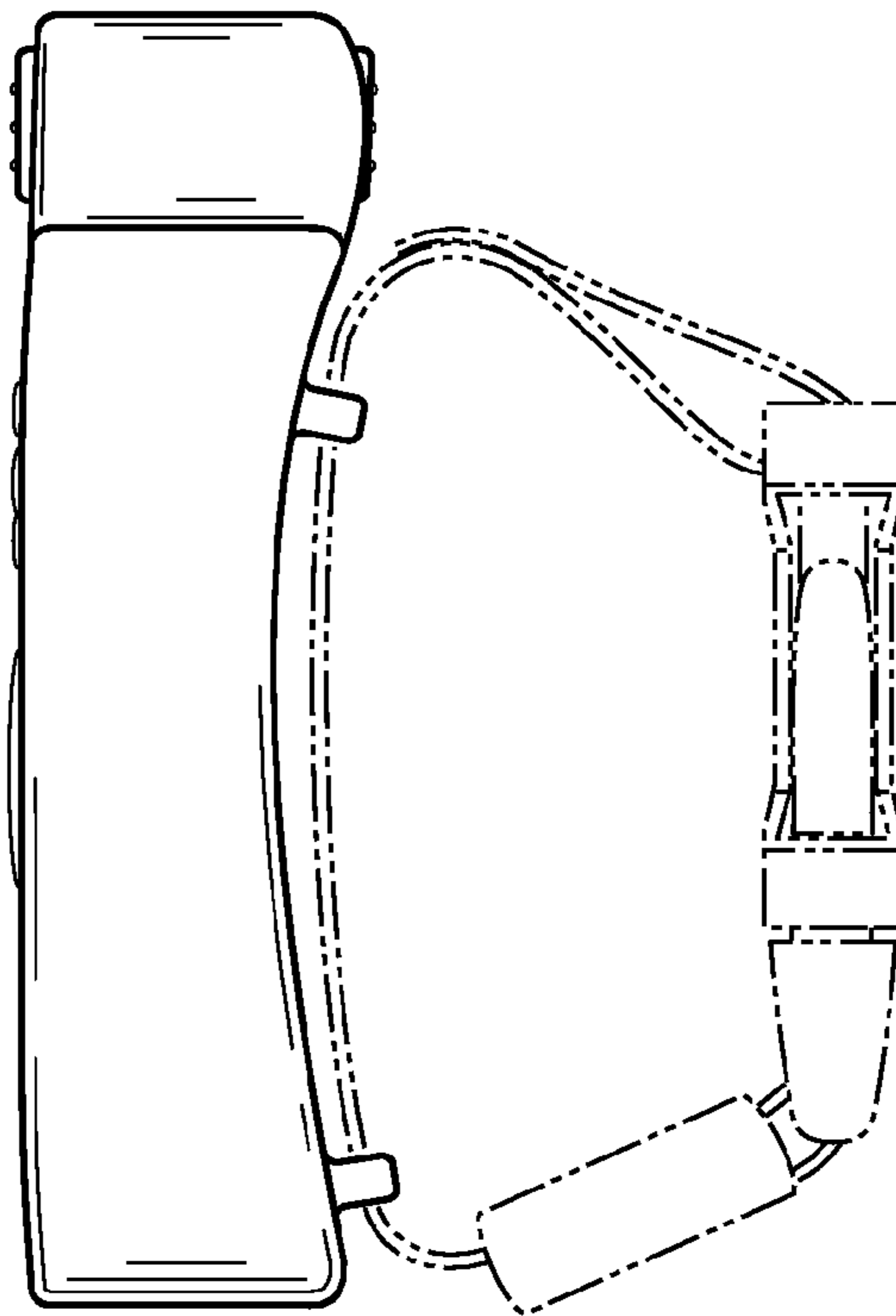


Fig. 3

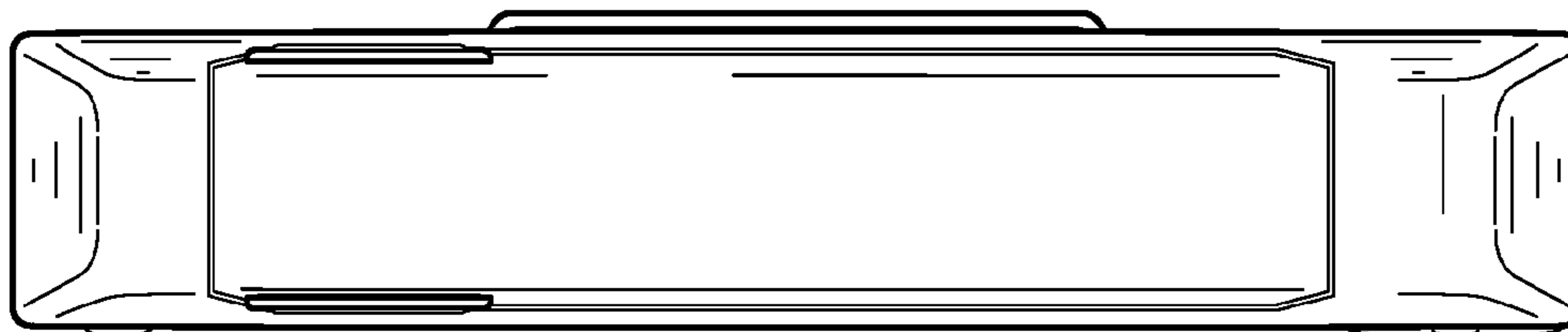


Fig. 4

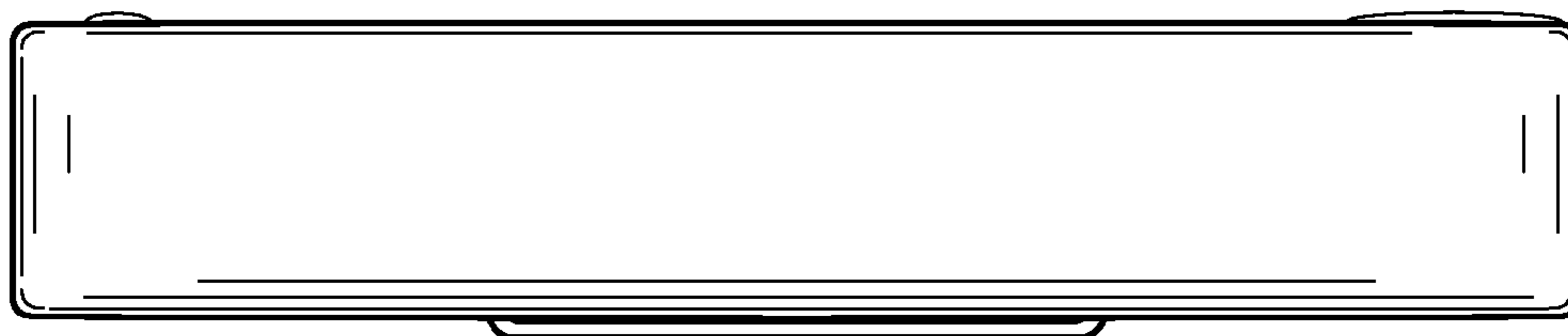


Fig. 5

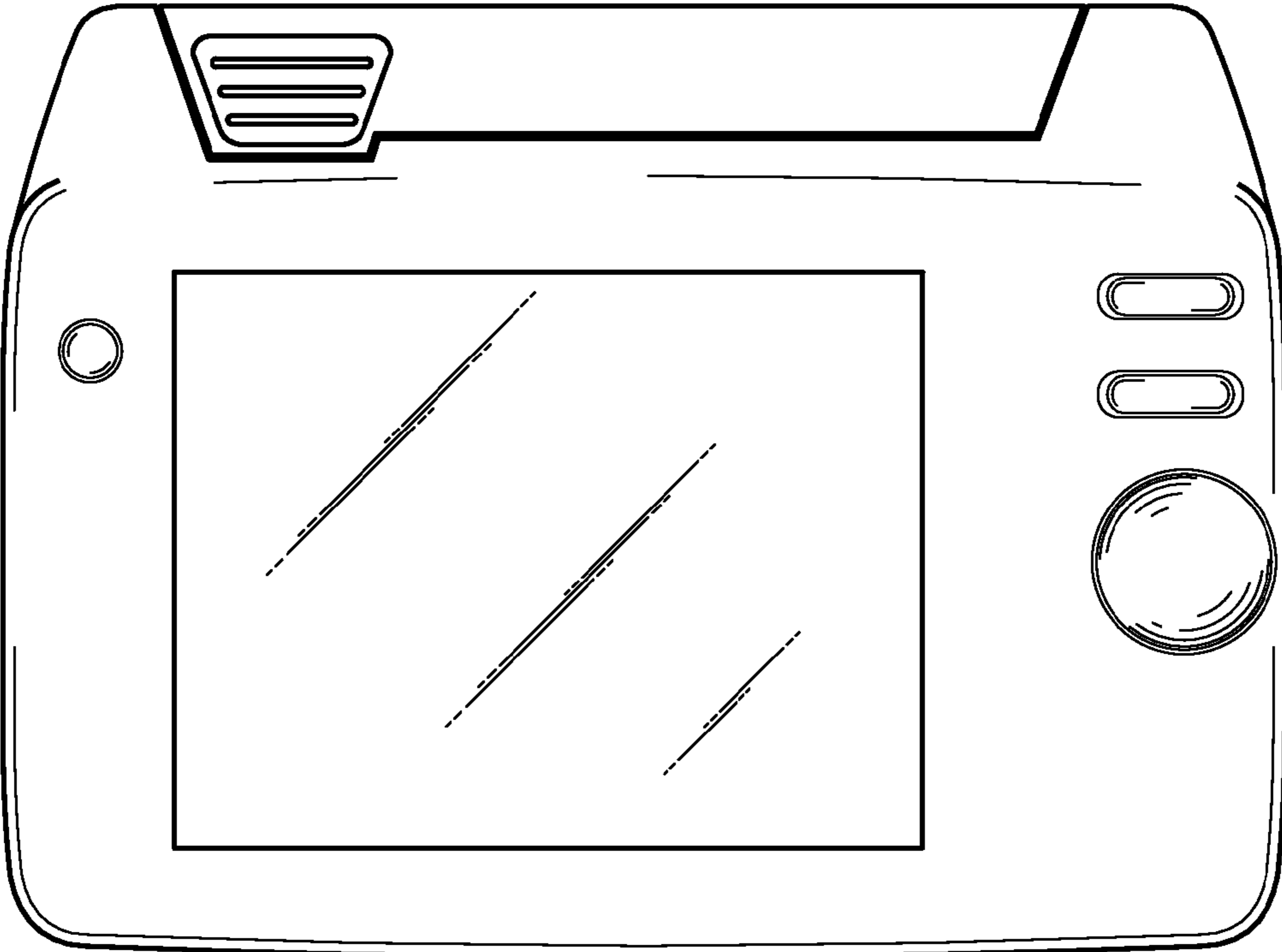


Fig. 6

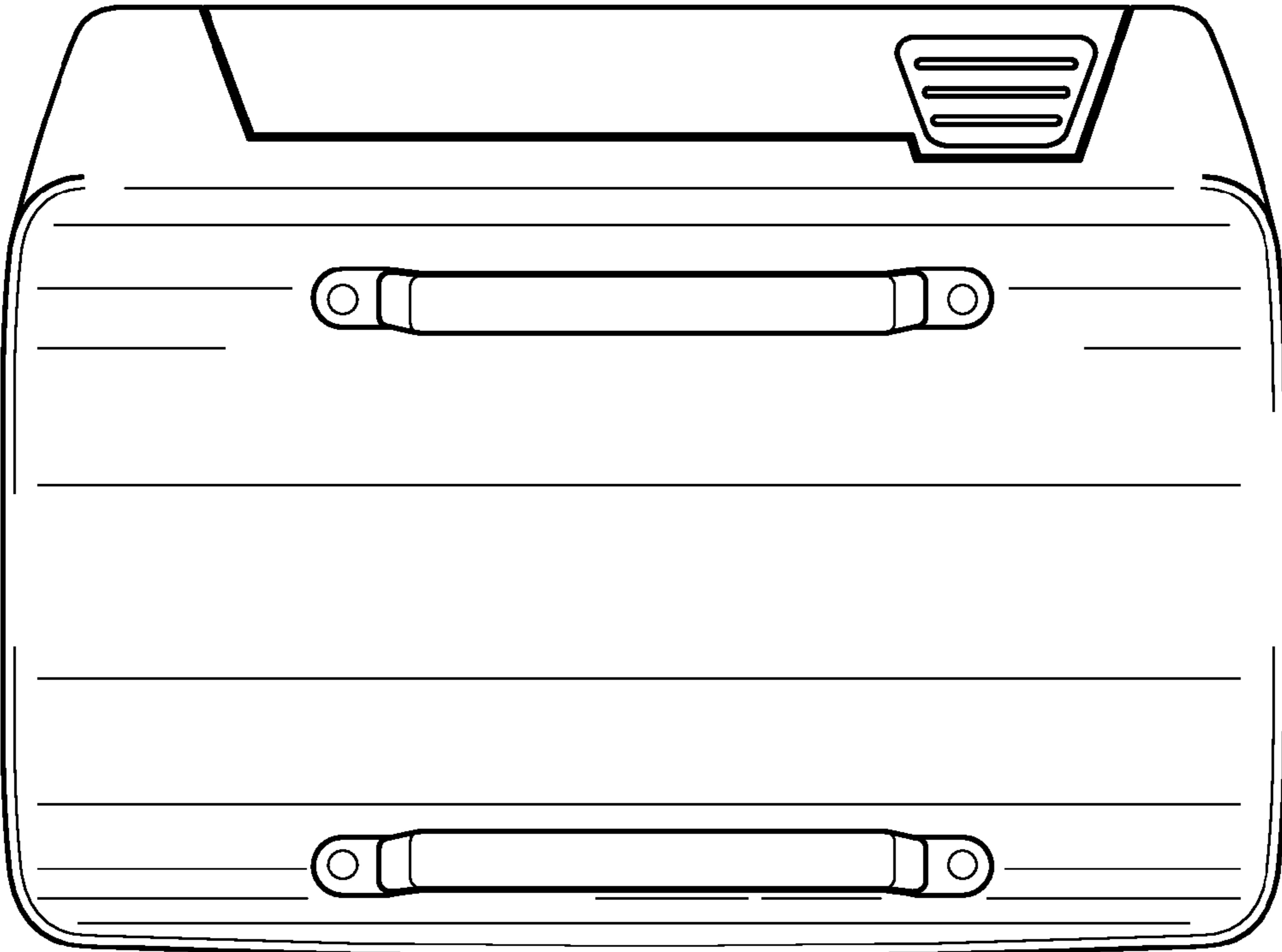


Fig. 7

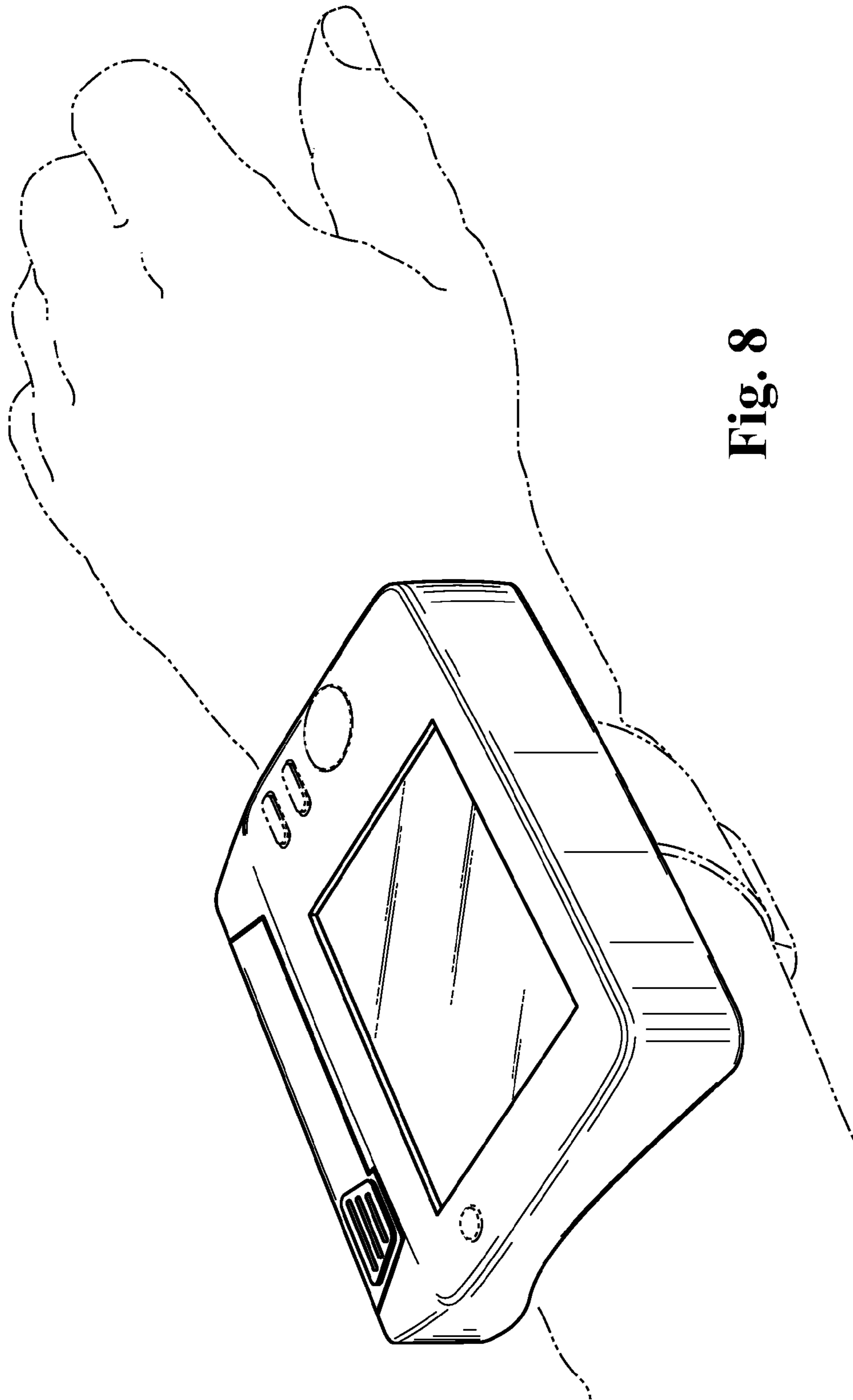


Fig. 8

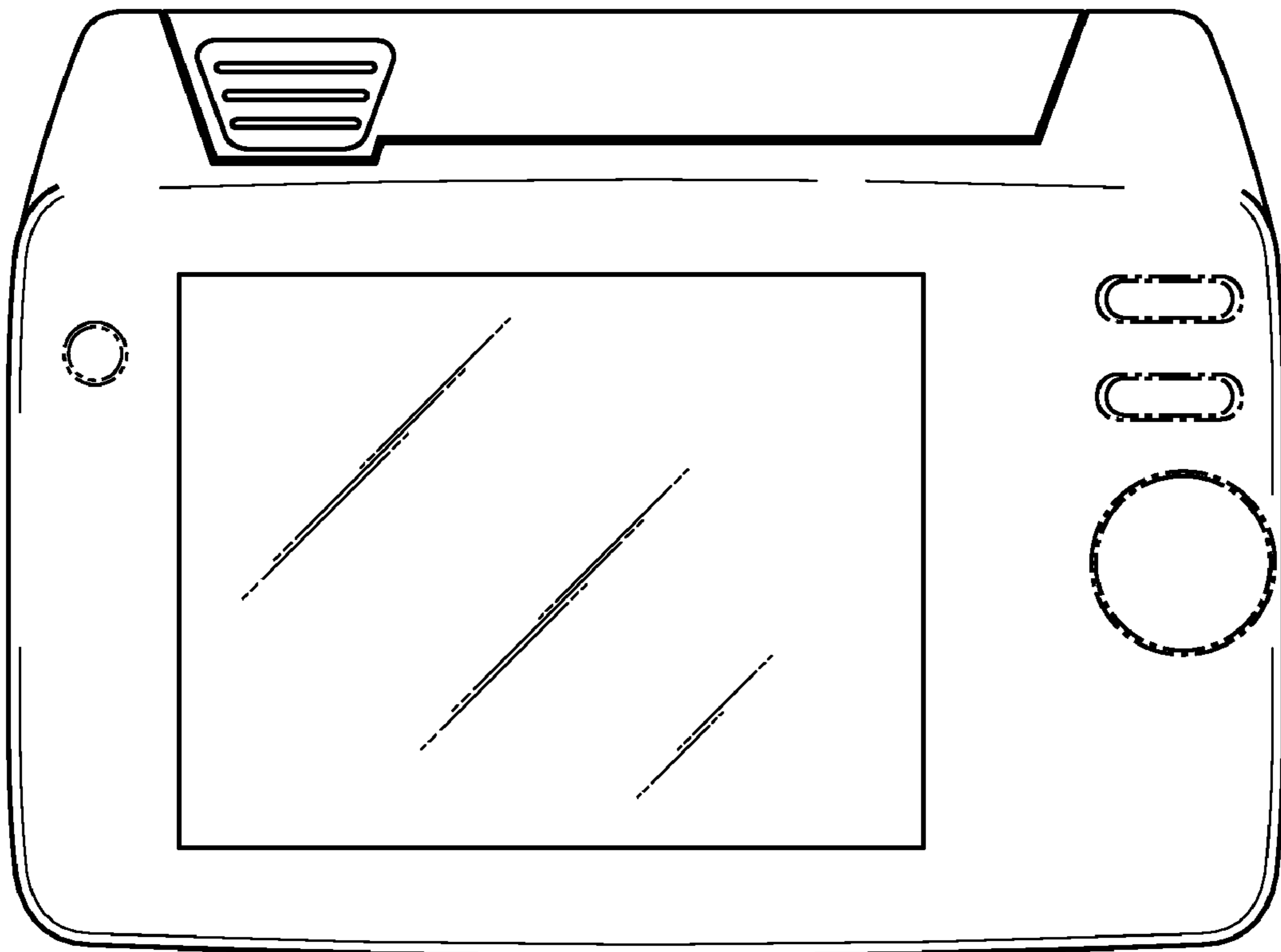


Fig. 9