



US00D586815S

(12) **United States Design Patent**  
**Friedman**

(10) **Patent No.:** **US D586,815 S**  
(45) **Date of Patent:** **\*\* Feb. 17, 2009**

(54) **DATA CARD HOLDER**

(75) Inventor: **Bernard L. Friedman**, Sonoma, CA  
(US)

(73) Assignee: **Sonoma Pins Etc. Corporation**,  
Sonoma, CA (US)

(\*\*) Term: **14 Years**

(21) Appl. No.: **29/279,550**

(22) Filed: **May 2, 2007**

(51) **LOC (9) Cl.** ..... **14-02**

(52) **U.S. Cl.** ..... **D14/436; D14/435; D30/155**

(58) **Field of Classification Search** ..... D14/433,  
D14/435, 436, 432, 242, 437; 439/628, 638,  
439/630, 946, 267, 260, 945, 95, 140, 101,  
439/67, 76.1, 108, 159, 147, 148; 235/441,  
235/486, 451, 479, 453; 710/62, 74, 301;  
361/736, 737, 740, 747, 759, 801, 679, 752,  
361/730, 816, 738, 766, 799, 807, 829; 312/223.2;  
174/35 R, 51; 206/706, 701, 37.1, 37.3;  
360/129, 132, 133, 135; D20/22, 27, 28,  
D20/10; D3/208, 207, 212, 247; D11/95,  
D11/79; D10/104; D30/155; 119/858, 655;  
40/653, 6, 665, 668, 300, 303, 301, 330,  
40/625, 633, 634; D24/125; 362/812; 70/395,  
70/408, 460, 427, 276, 456 R  
See application file for complete search history.

(56) **References Cited**

**U.S. PATENT DOCUMENTS**

D63,812 S \* 1/1924 Wojciechowski ..... D3/247  
1,974,547 A \* 9/1934 Slade ..... 70/456 R  
D129,626 S \* 9/1941 Stiller ..... D3/207  
2,547,524 A \* 4/1951 Gross ..... 70/456 R  
2,569,629 A \* 10/1951 Everitt ..... 453/50  
D168,398 S \* 12/1952 Gazan, Jr. .... D3/247  
2,716,483 A \* 8/1955 Nauman ..... 206/0.81  
D273,837 S \* 5/1984 De Coster ..... D7/391  
D322,816 S \* 12/1991 Immerman ..... D20/28  
D338,102 S \* 8/1993 McGuire et al. .... D3/207

D352,600 S \* 11/1994 Steeley ..... D3/208  
D368,082 S \* 3/1996 Goto ..... D14/435  
D387,811 S \* 12/1997 Kaplan ..... D20/22  
D387,812 S \* 12/1997 Liu ..... D20/27  
D388,721 S \* 1/1998 Kinner ..... D10/104  
D397,866 S \* 9/1998 Hartmann et al. .... D3/212  
D411,193 S \* 6/1999 Oba ..... D14/432  
5,986,562 A \* 11/1999 Nikolich ..... 340/693.5  
D442,598 S \* 5/2001 Wallace et al. .... D14/436  
D446,820 S \* 8/2001 Chan ..... D20/28  
D448,563 S \* 10/2001 Kim ..... D3/266

(Continued)

**OTHER PUBLICATIONS**

Australian Design Journal, p. 2281, Design No. 10875/2005, Listing  
(11) AU-S-302850; European Community, Registration Date: Aug.  
18, 2005, Designer: Ivan Kristensen, Company: Jorgen Kruuse A/S  
of Denmark, Application No. 000276084.\*

*Primary Examiner*—Susan Moon Lee

(74) *Attorney, Agent, or Firm*—Craig M. Stainbrook;  
Stainbrook & Stainbrook, LLP

(57)

**CLAIM**

The ornamental design for a data card holder, as shown and  
described.

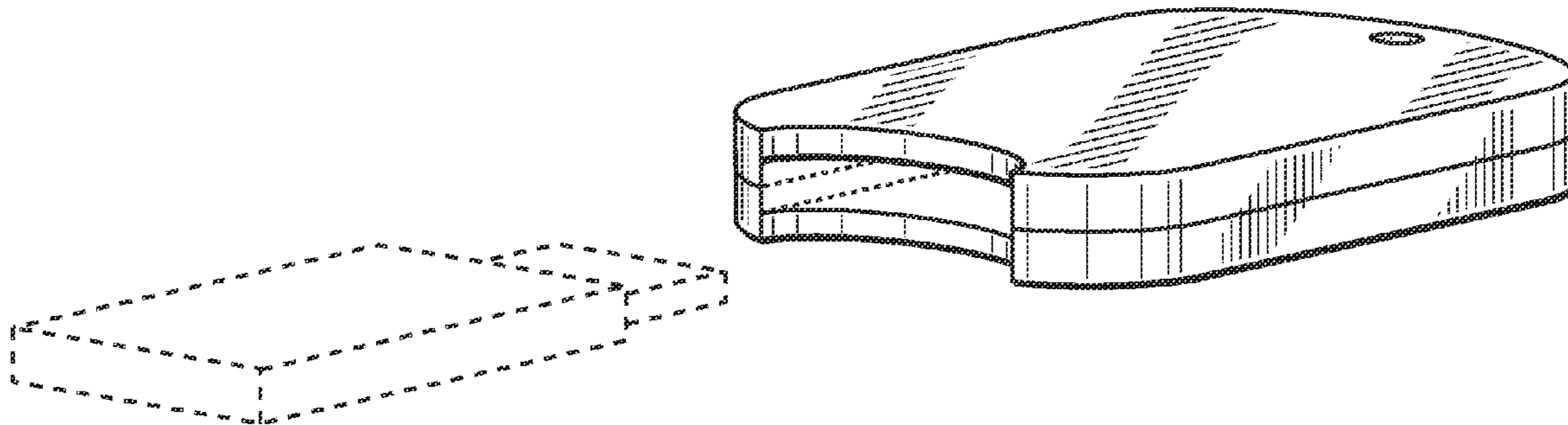
**DESCRIPTION**

FIG. 1 is a lower left front perspective view;  
FIG. 2 is a lower left front exploded perspective view;  
FIG. 3 is a front view in elevation;  
FIG. 4 is a left side view;  
FIG. 5 is a rear view in elevation;  
FIG. 6 is a bottom view; and,  
FIG. 7 is a top view.

The portions shown in broken line are not claimed.

The broken line showing in FIG. 1 and FIG. 2 is for the  
purpose of illustration and forms no part of the claimed  
design.

**1 Claim, 2 Drawing Sheets**



# US D586,815 S

Page 2

---

## U.S. PATENT DOCUMENTS

D451,099 S	*	11/2001	Lee	.....	D14/435	D453,515 S	*	2/2002	Brewer et al.	.....	D14/436
D452,244 S	*	12/2001	Wallace et al.	.....	D14/436	D480,727 S	*	10/2003	Gargani et al.	.....	D14/437
D452,245 S	*	12/2001	Wallace et al.	.....	D14/436	D491,314 S	*	6/2004	Cousins	.....	D28/77
D452,246 S	*	12/2001	Wallace et al.	.....	D14/436	2005/0001712 A1	*	1/2005	Yarbrough	.....	340/5.82

\* cited by examiner

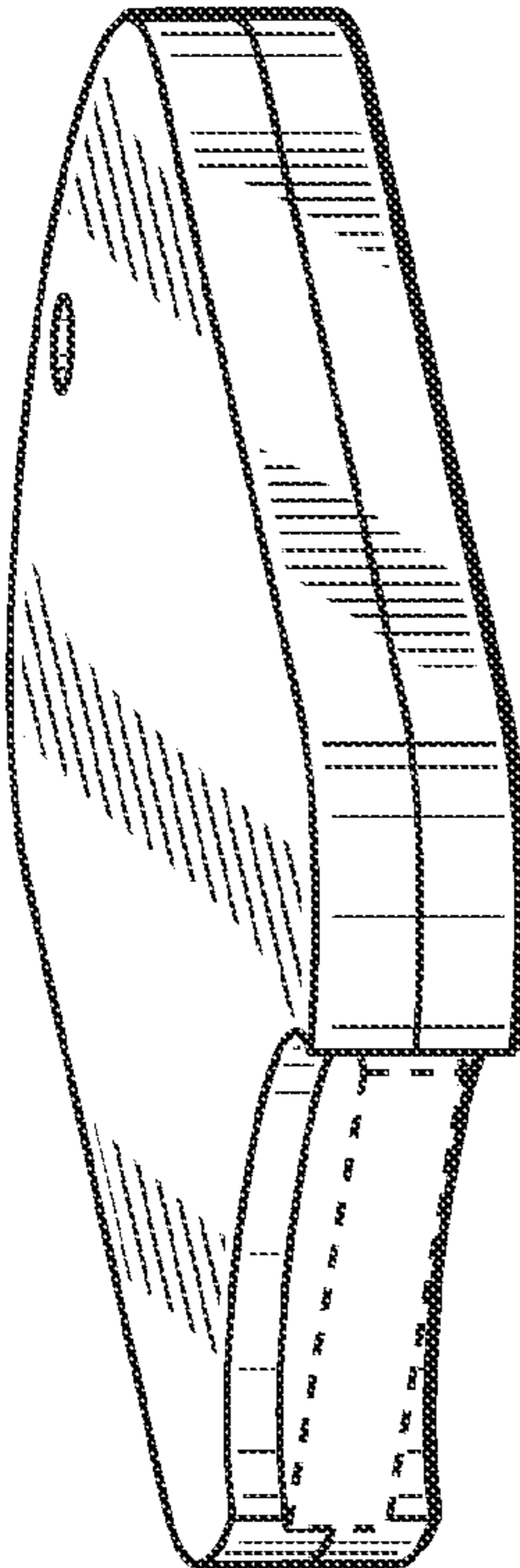


FIG. 1

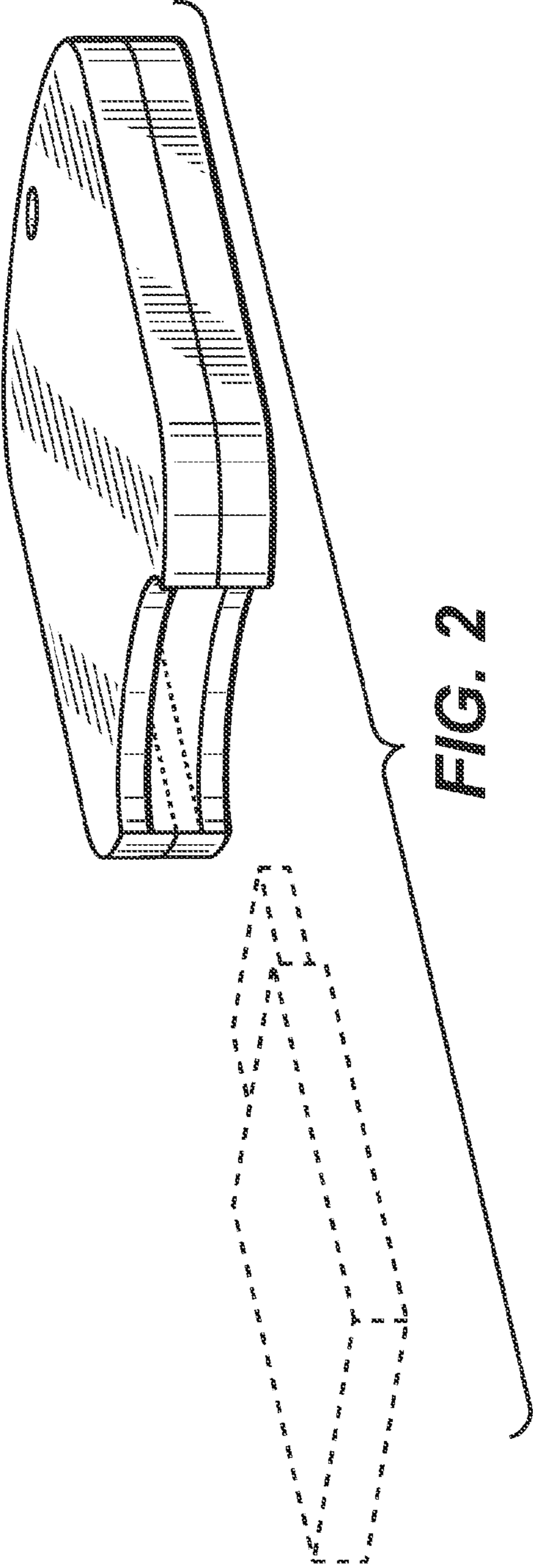
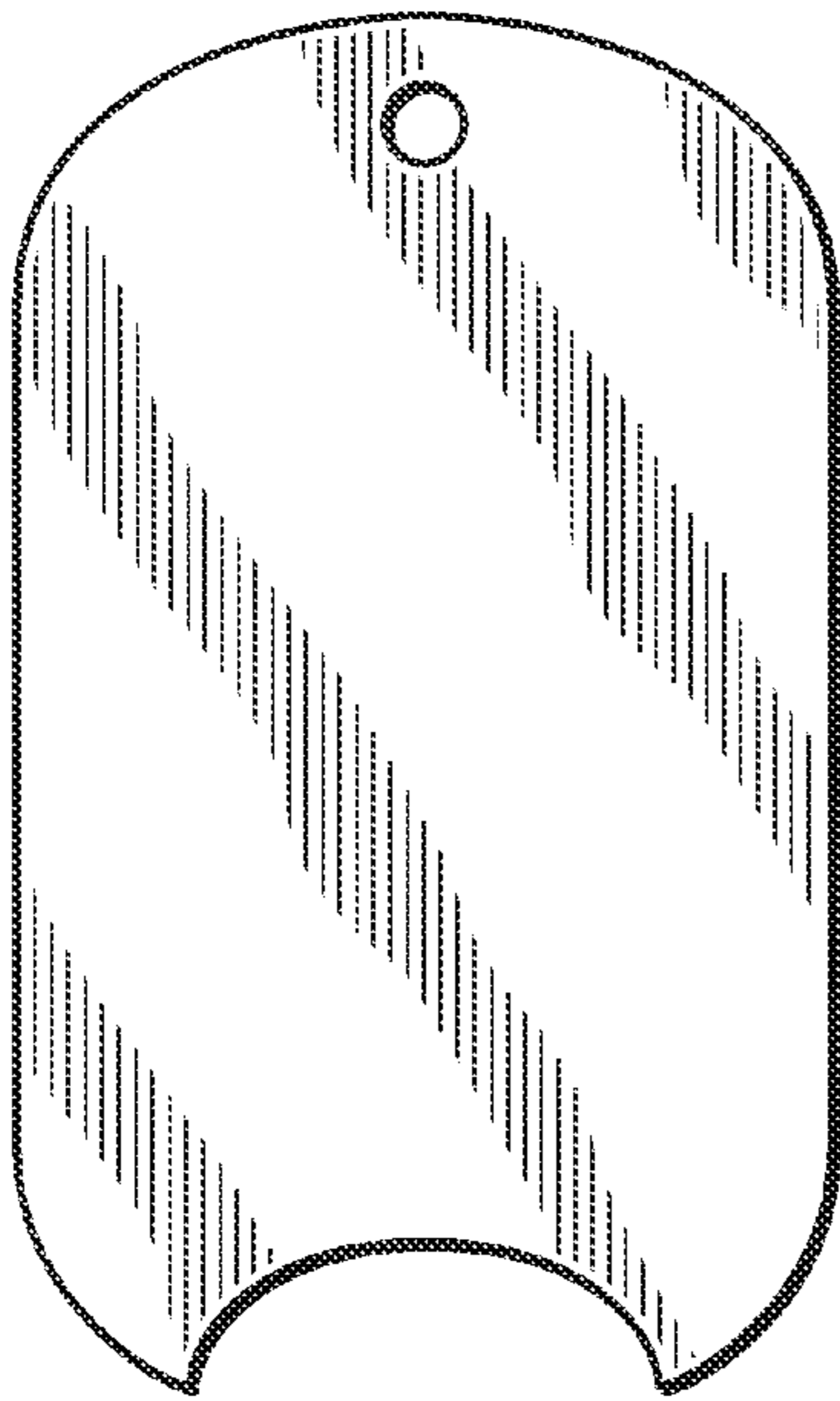


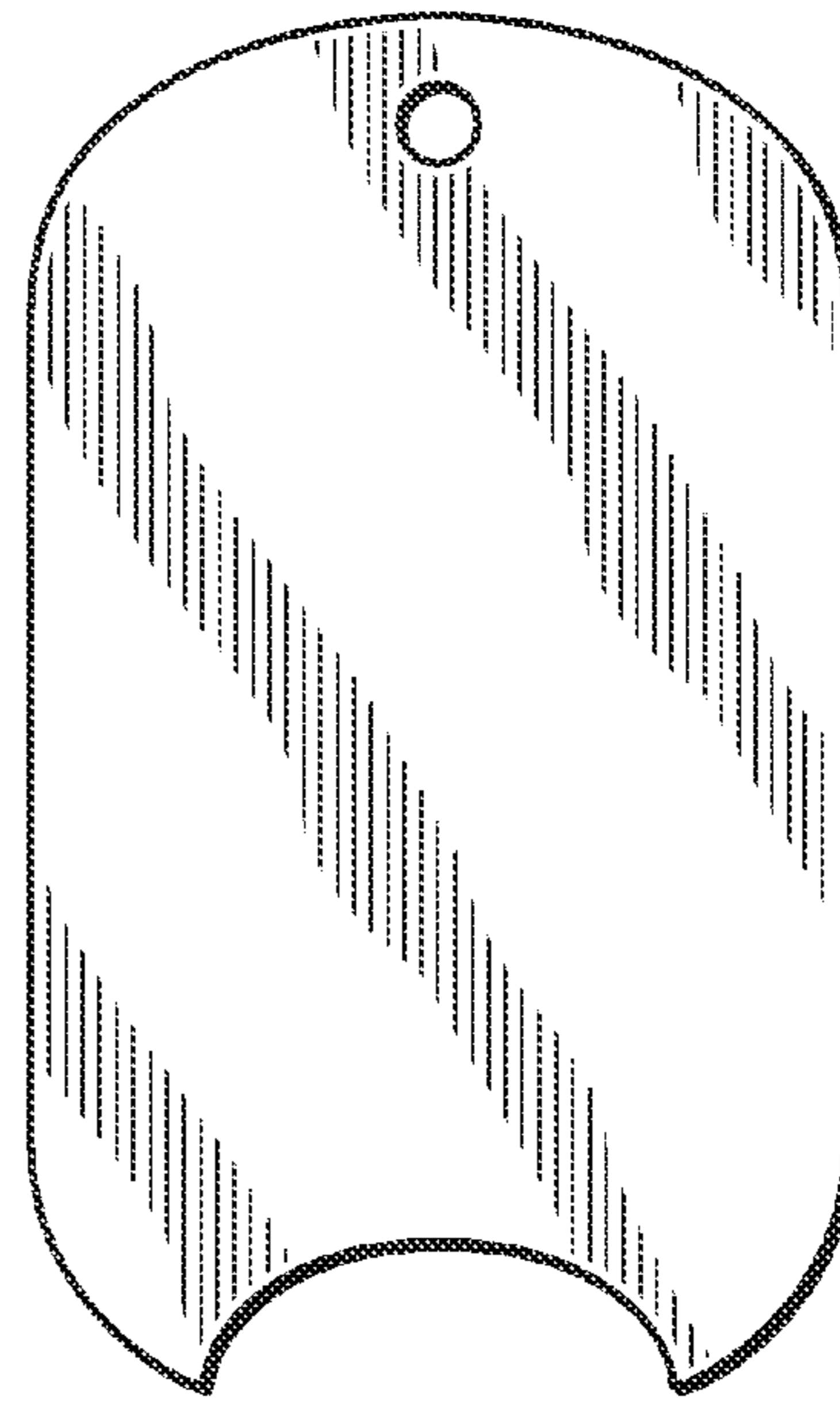
FIG. 2



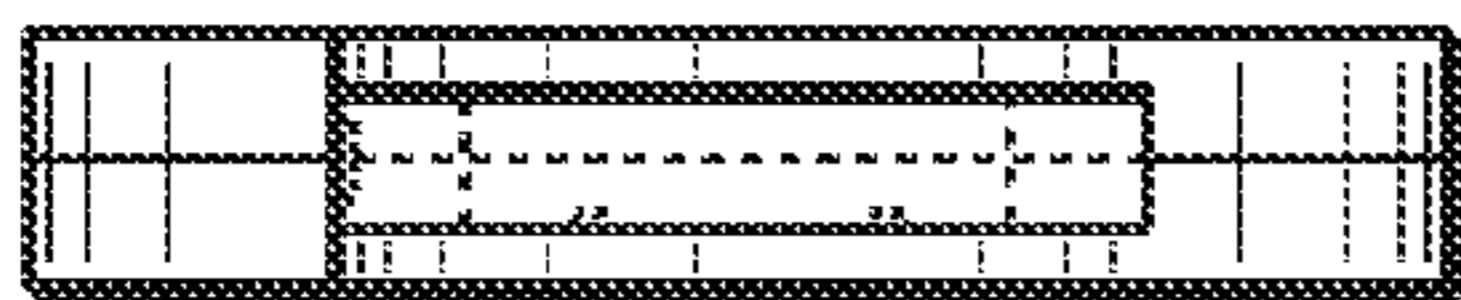
**FIG. 3**



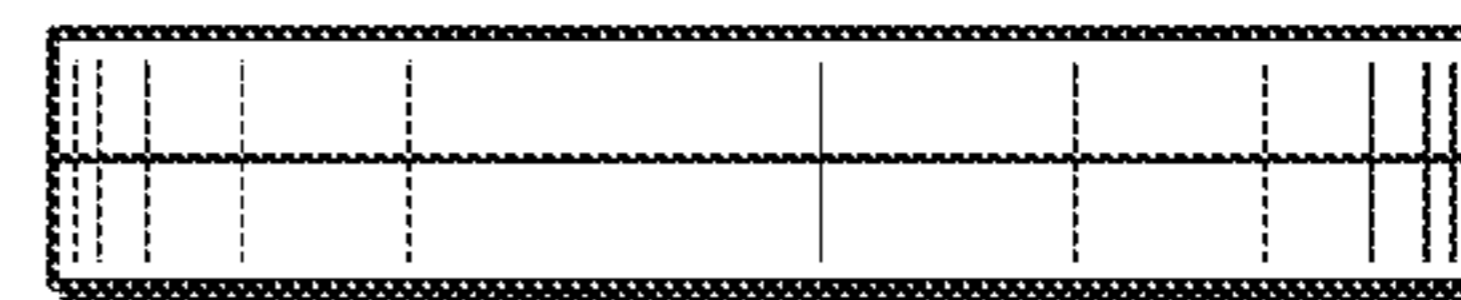
**FIG. 4**



**FIG. 5**



**FIG. 6**



**FIG. 7**