



US00D586814S

(12) **United States Design Patent**
Kramer et al.

(10) **Patent No.:** **US D586,814 S**
(45) **Date of Patent:** **** Feb. 17, 2009**

(54) **INFORMATION HANDLING SYSTEM
POWER SUPPLY HANDLE**

(75) Inventors: **Paul Kramer**, Austin, TX (US);
Richard Crisp, Austin, TX (US);
Vincent Lam, Austin, TX (US)

(73) Assignee: **Dell Products L.P.**, Round Rock, TX
(US)

(**) Term: **14 Years**

(21) Appl. No.: **29/275,827**

(22) Filed: **Jan. 8, 2007**

(51) **LOC (9) Cl.** **14-02**

(52) **U.S. Cl.** **D14/432**

(58) **Field of Classification Search** D14/300–302,
D14/308–314, 328, 348, 349, 356–370, 432,
D14/439–447, 465, 134; D13/123, 133,
D13/146, 147, 154, 156, 158, 162, 173, 175,
D13/177, 184, 110; D8/331, 336, 338, 349;
361/683–686, 725–727; 439/372, 116, 157;
312/333, 332.1, 223.1

See application file for complete search history.

(56) **References Cited**

U.S. PATENT DOCUMENTS

D300,921	S	*	5/1989	Tetreault	D13/154
D312,632	S	*	12/1990	Furuya	D14/465
D332,256	S	*	1/1993	Lewis	D14/367
D346,148	S		4/1994	Chen	D13/110
D348,259	S	*	6/1994	Bates et al.	D14/367
5,344,194	A	*	9/1994	Hatagishi et al.	439/157
5,417,513	A	*	5/1995	Hayashi	439/372
D370,892	S	*	6/1996	Shima et al.	D14/314
D383,736	S	*	9/1997	Corrington et al.	D14/367
D391,556	S	*	3/1998	Corrington et al.	D14/367
5,791,753	A	*	8/1998	Paquin	312/332.1
D404,383	S	*	1/1999	Chang	D14/367
D410,451	S	*	6/1999	Konshak et al.	D14/367
D418,808	S		1/2000	Lee	D13/110
6,040,981	A	*	3/2000	Schmitt et al.	361/695
D423,451	S	*	4/2000	Heckenast et al.	D13/110

D424,027	S	*	5/2000	Shoda et al.	D13/184
D429,213	S	*	8/2000	Colver et al.	D13/110
6,134,115	A	*	10/2000	Sim et al.	361/747
6,178,086	B1	*	1/2001	Sim et al.	361/683
6,222,736	B1	*	4/2001	Sim et al.	361/727
6,231,145	B1	*	5/2001	Liu	312/332.1
D453,139	S		1/2002	Yang	D13/110
6,407,913	B1	*	6/2002	Peachey et al.	361/685
D475,027	S	*	5/2003	Frank et al.	D13/182
D476,631	S	*	7/2003	Frank et al.	D13/182
D477,605	S	*	7/2003	Frank et al.	D14/441
6,631,536	B2	*	10/2003	Feldmeyer	16/422
D484,509	S	*	12/2003	Frank et al.	D14/441
D494,159	S	*	8/2004	Wilson et al.	D14/313
D494,975	S	*	8/2004	McClelland et al.	D14/435

(Continued)

Primary Examiner—Cathron C Brooks
Assistant Examiner—Deanna Fluegeman
(74) *Attorney, Agent, or Firm*—Hamilton & Terrile, LLP;
Robert W. Holland

(57) **CLAIM**

The ornamental design for an information handling system power supply handle, as shown and described.

DESCRIPTION

FIG. 1 is a front perspective view of the information handling system power supply handle comprising the present invention;

FIG. 2 is a top view thereof;

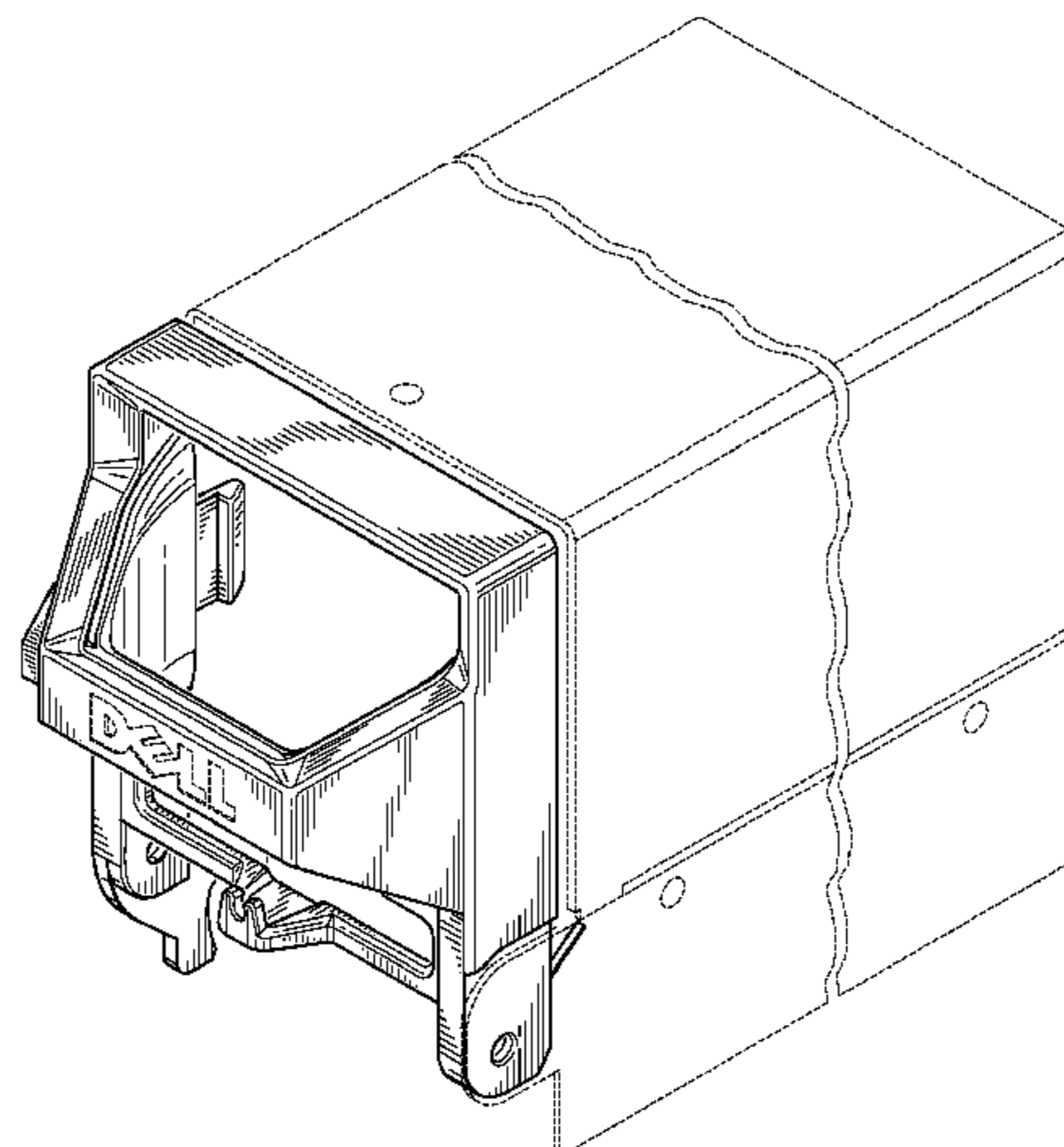
FIG. 3 is a front view thereof;

FIG. 4 is a left side view thereof; and,

FIG. 5 is a right side view thereof.

The broken line showing of portions of the information handling system power supply handle is included for the purpose of illustrating environmental structure and forms no part of the claimed design.

1 Claim, 3 Drawing Sheets



US D586,814 S

Page 2

U.S. PATENT DOCUMENTS							
				7,354,293	B2 *	4/2008	Liang 439/372
D514,109	S *	1/2006	McClelland et al.	D14/439	D570,848	S *	6/2008 Deng D14/441
D517,062	S *	3/2006	Yu et al.	D14/300	2002/0101713	A1 *	8/2002 Eland 361/686
D551,620	S *	9/2007	McClelland, II	D13/110	* cited by examiner		

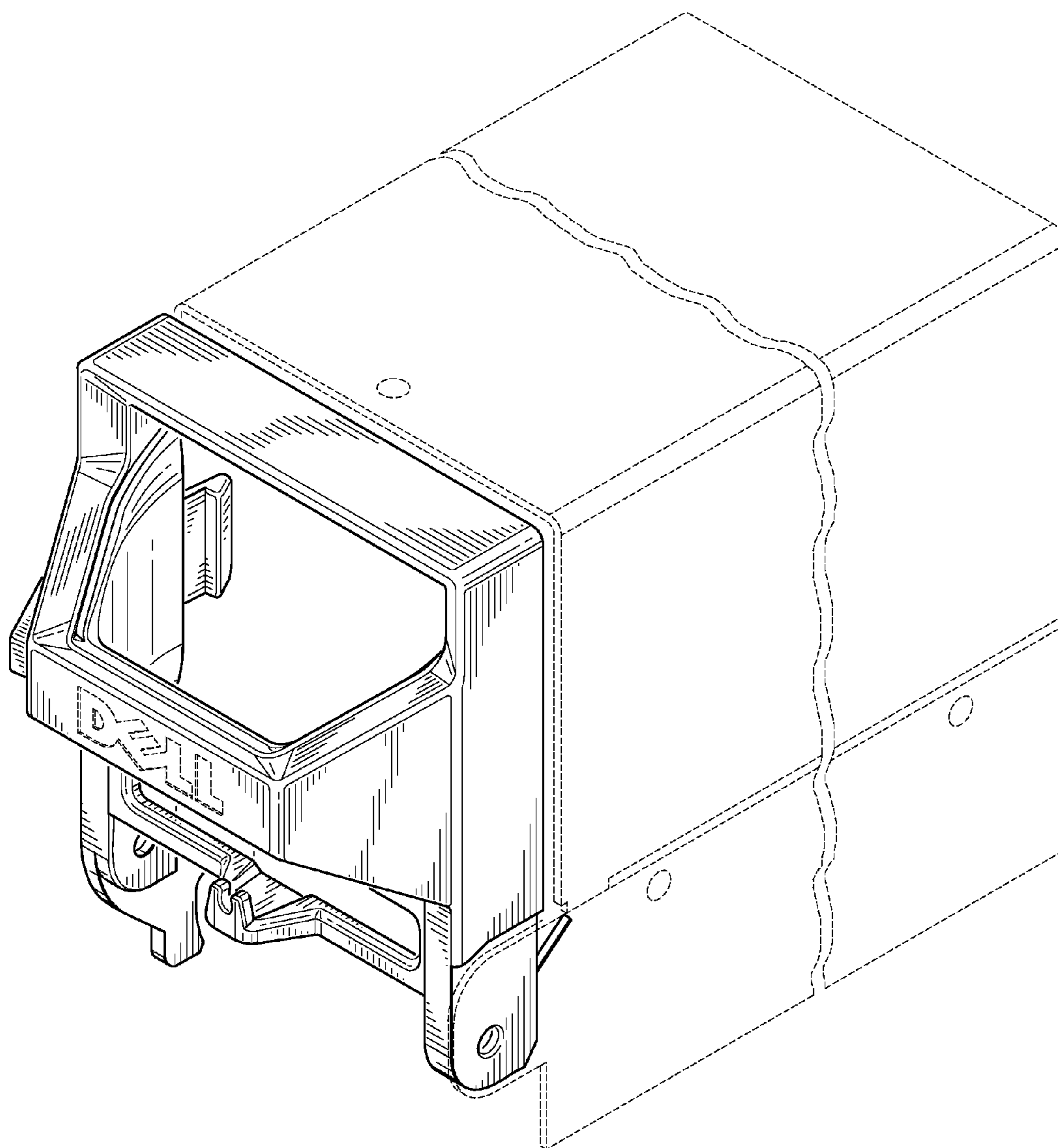


FIG. 1

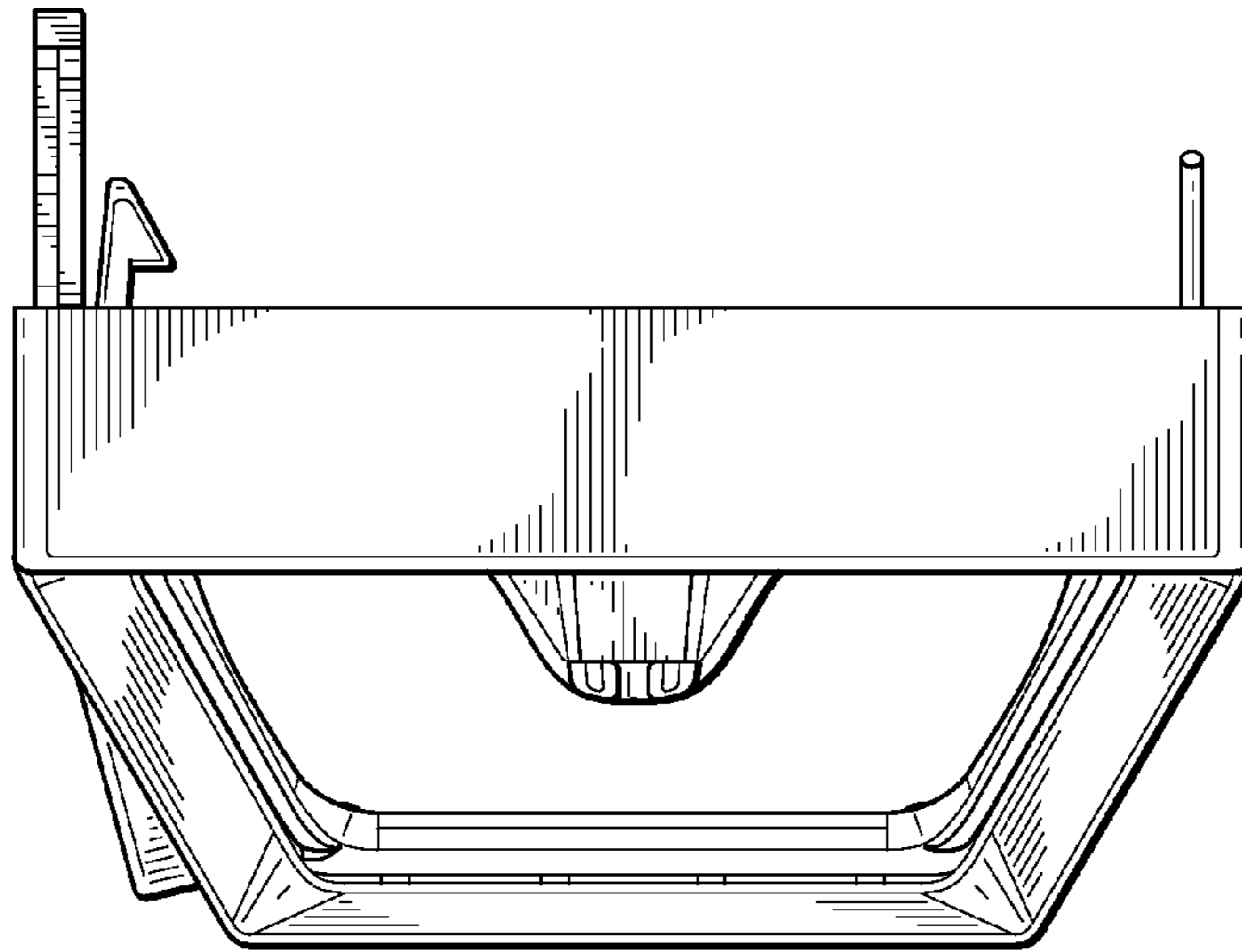


FIG. 2

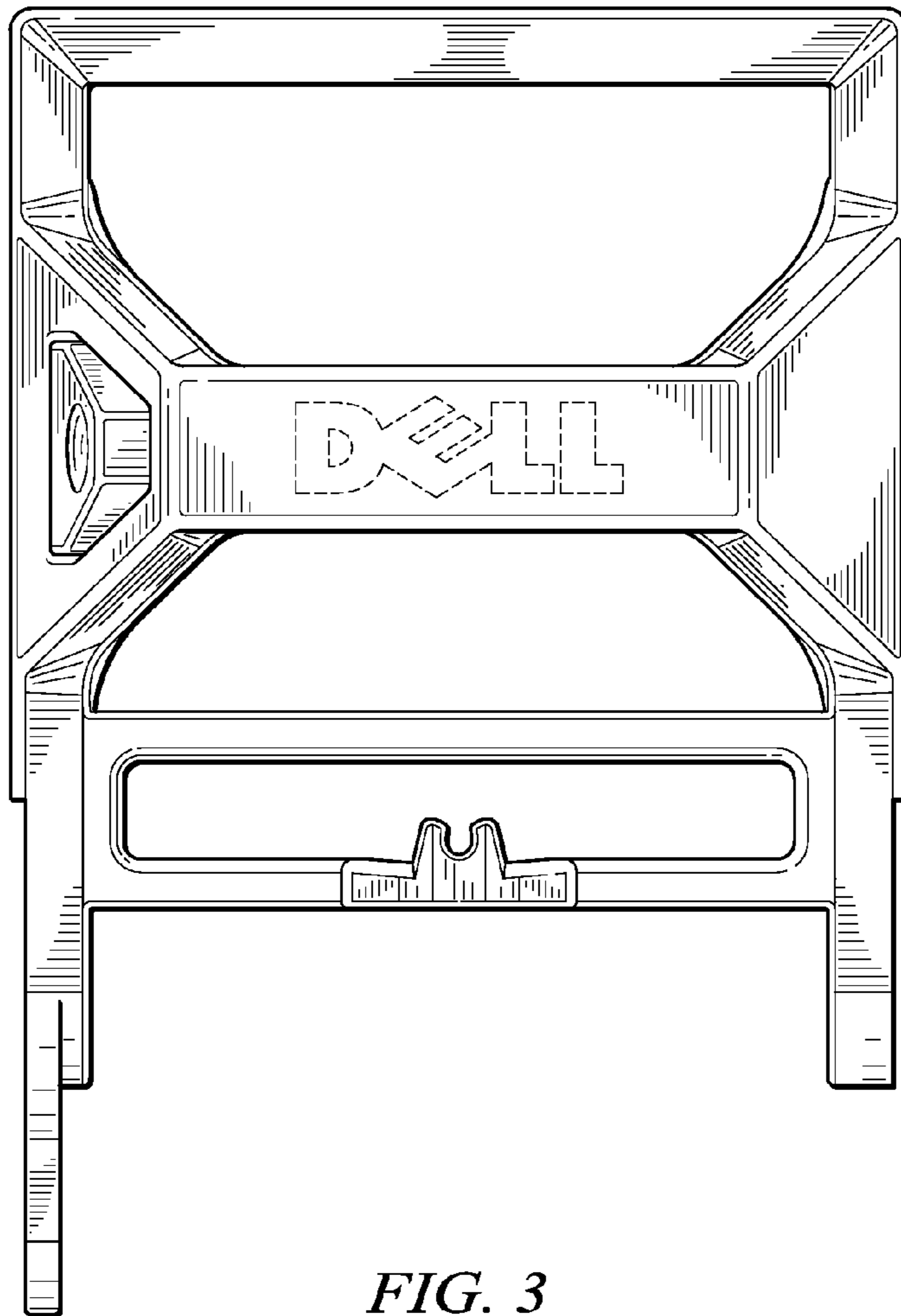


FIG. 3

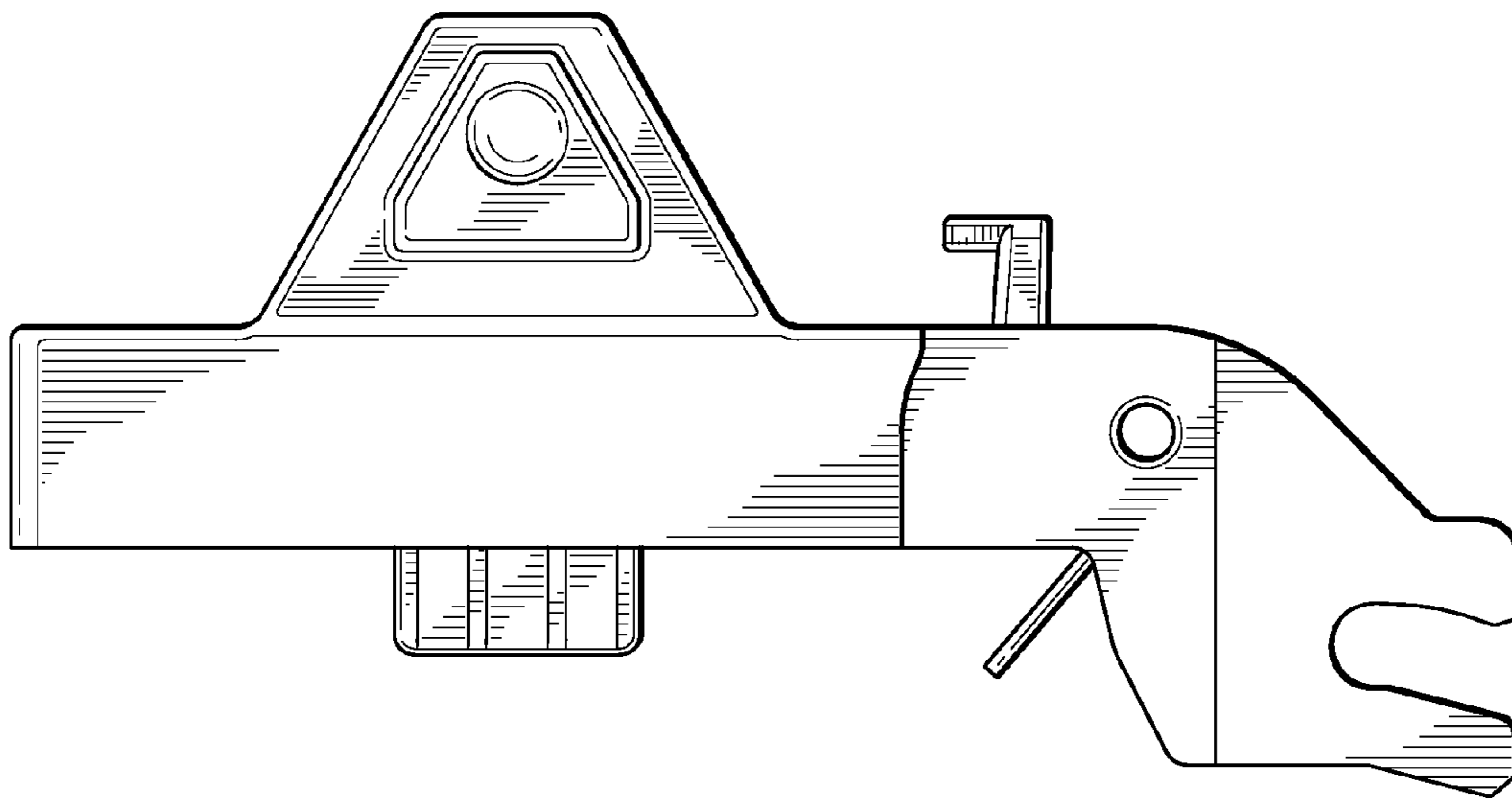


FIG. 5

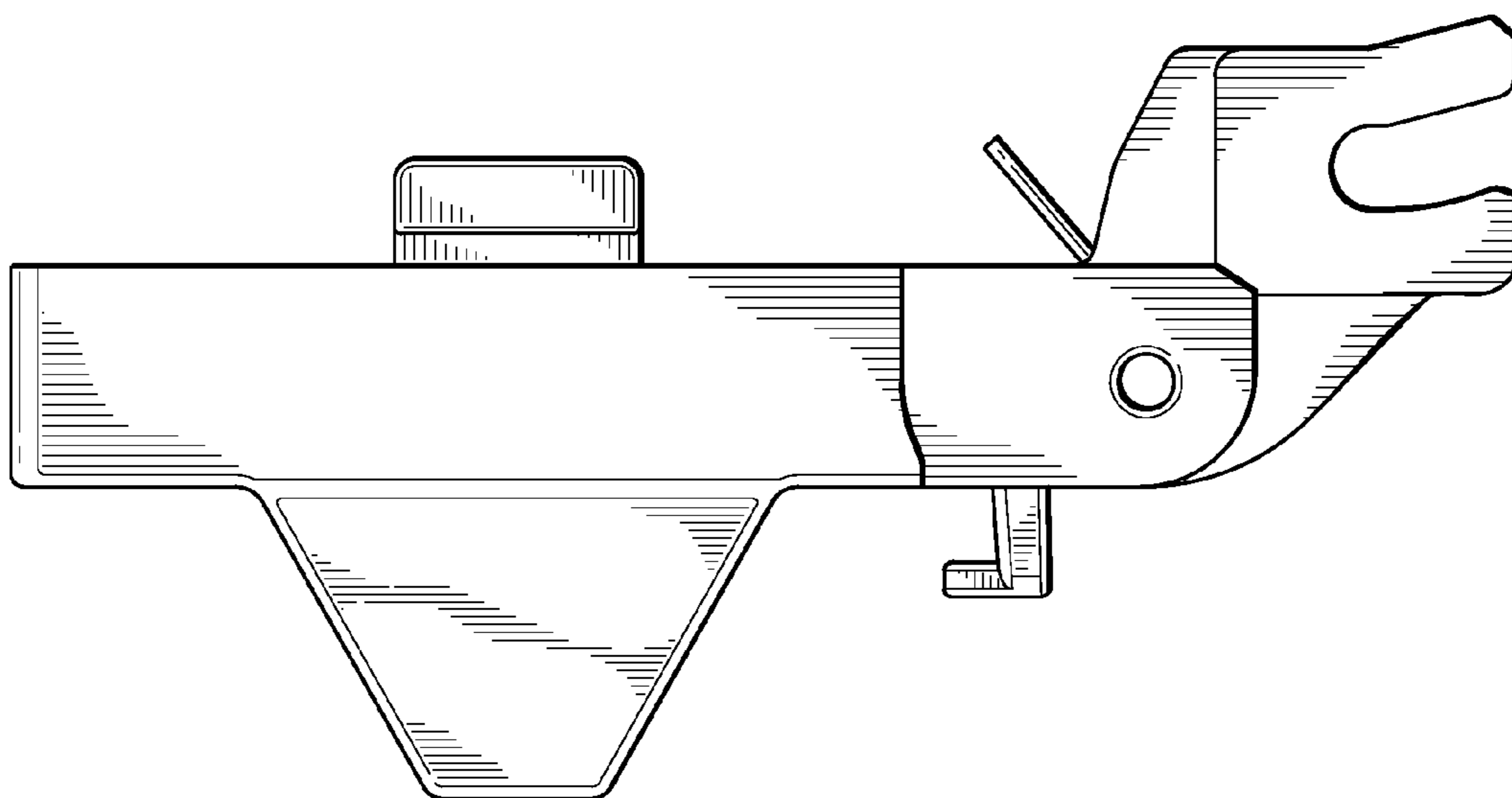


FIG. 4