



US00D586811S

(12) **United States Design Patent**
Kim et al.

(10) **Patent No.:** **US D586,811 S**
(45) **Date of Patent:** **** Feb. 17, 2009**

(54) **LCD MONITOR**

(75) Inventors: **Eui-Seok Kim**, Kyunggi-do (KR);
Yong-Joo Lee, Seoul (KR)

(73) Assignee: **Samsung Electronics, Co., Ltd.**,
Suwon, Kyunggi-Do (KR)

(**) Term: **14 Years**

(21) Appl. No.: **29/301,676**

(22) Filed: **Mar. 12, 2008**

(51) **LOC (9) Cl.** **14-02**

(52) **U.S. Cl.** **D14/374**

(58) **Field of Classification Search** D14/371-376,
D14/125-129, 336, 341, 132; 248/917-924,
248/121, 278.1; 341/12; 345/104, 156, 173,
345/174, 901-905; 348/180, 184, 325, 739,
348/837; 361/680-686; D18/12.3; 349/1,
349/2, 11, 58

See application file for complete search history.

(56) **References Cited**

U.S. PATENT DOCUMENTS

D416,875 S *	11/1999	Chuo et al.	D14/375
6,229,584 B1 *	5/2001	Chuo et al.	349/58
6,381,125 B1 *	4/2002	Mizoguchi et al.	361/682
D494,941 S	8/2004	Kim		
6,807,051 B2 *	10/2004	Takahashi	361/681
D499,386 S	12/2004	Yang		
D512,424 S	12/2005	Kim		
D521,996 S	5/2006	Kim et al.		
D521,997 S	5/2006	Park et al.		
D522,509 S	6/2006	Park et al.		
D524,313 S	7/2006	Boo et al.		

D528,115 S	9/2006	Yoon
D528,116 S	9/2006	Won et al.
D529,910 S	10/2006	Ota
D533,848 S	12/2006	Lee et al.
D536,677 S	2/2007	Kim et al.
D537,079 S	2/2007	Park
D539,242 S	3/2007	Lee et al.
D539,281 S	3/2007	Kim et al.

(Continued)

OTHER PUBLICATIONS

U.S. Appl. No. 29/269,013, Applicant: Jun-Ho Yang, et al., filed Nov. 17, 2006 entitled LCD Television Set.

(Continued)

Primary Examiner—Freda S Nunn
(74) *Attorney, Agent, or Firm*—Flynn, Thiel, Boutell & Tanis, P.C.

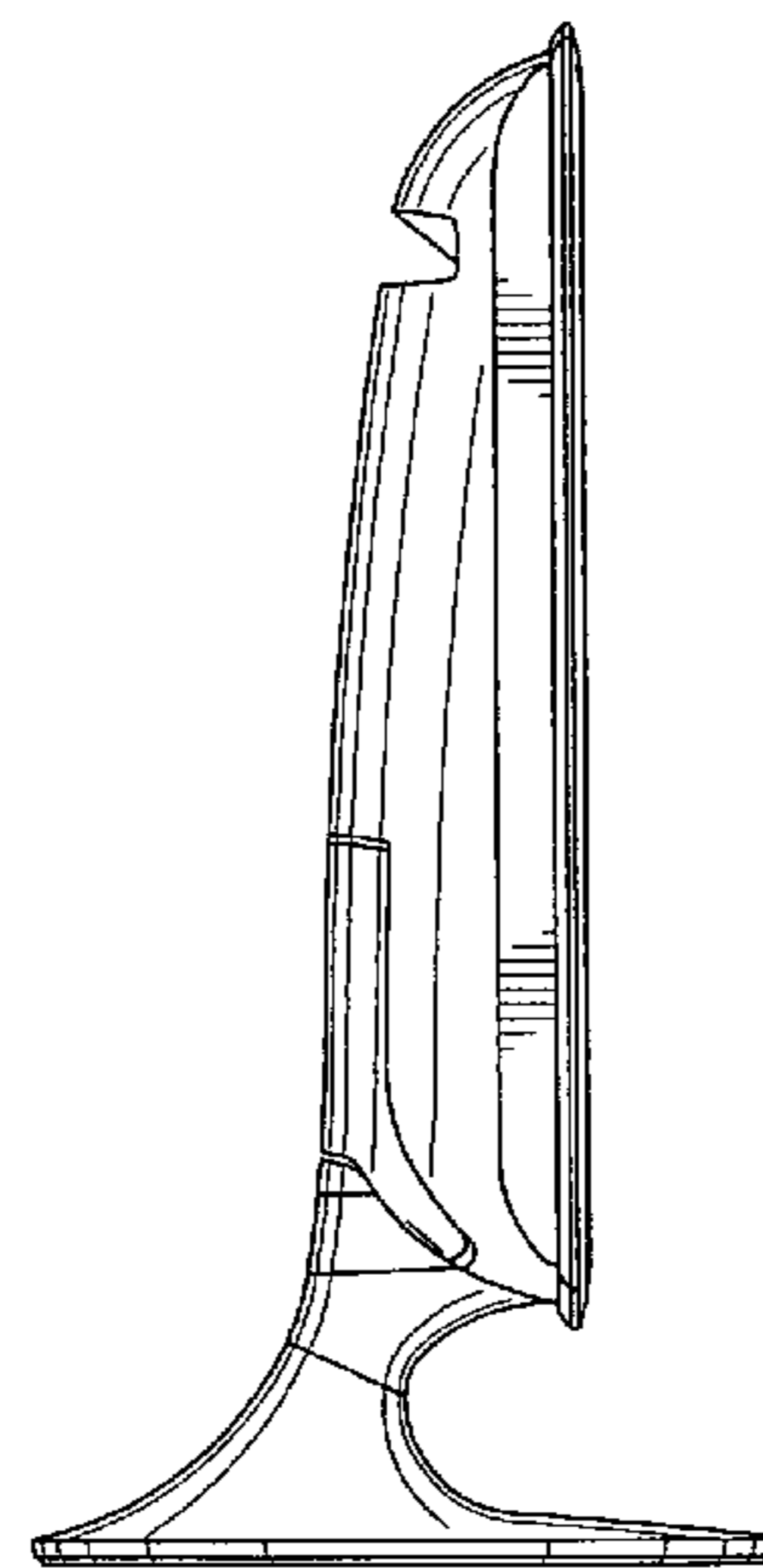
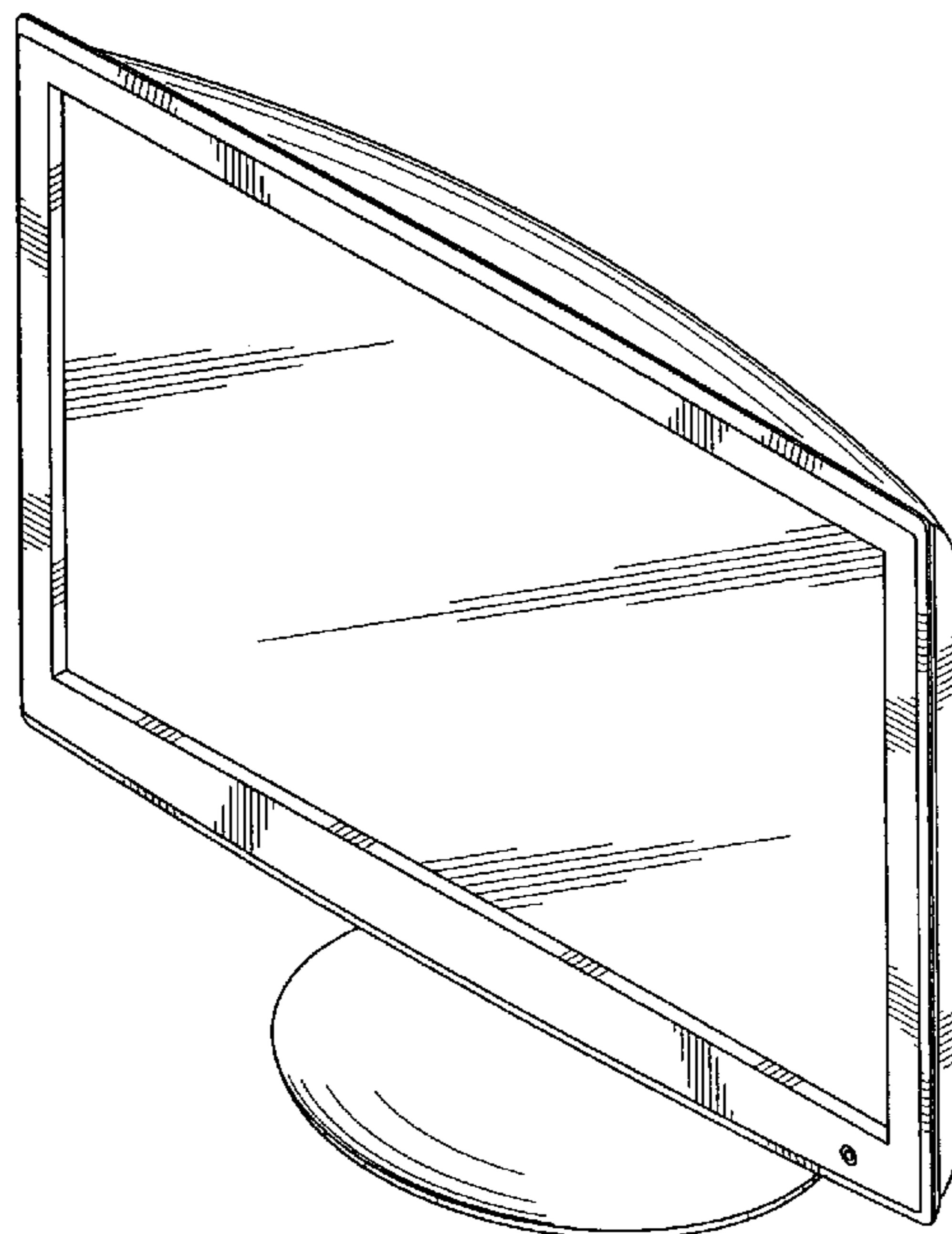
(57) **CLAIM**

The ornamental design for a LCD monitor, as shown and described.

DESCRIPTION

FIG. 1 is a top front perspective view of a LCD monitor showing our new design;
FIG. 2 is a front elevational view thereof;
FIG. 3 is a rear elevational view thereof;
FIG. 4 is a left side elevational view, the right side elevational view is being symmetrical thereof;
FIG. 5 is a top plan view thereof; and,
FIG. 6 is a bottom plan view thereof.

1 Claim, 4 Drawing Sheets



US D586,811 S

Page 2

U.S. PATENT DOCUMENTS

D540,277 S 4/2007 Kim et al.
D541,763 S 5/2007 Kim
D542,746 S 5/2007 Kim
D542,747 S 5/2007 Kim et al.
D544,849 S 6/2007 Yang et al.
D545,312 S 6/2007 Kim
D545,313 S 6/2007 Kim
D545,314 S 6/2007 Kim
D545,315 S 6/2007 Kim
D545,316 S 6/2007 Kim
D545,820 S 7/2007 Won et al.
D546,331 S 7/2007 Kim
D547,313 S 7/2007 Kim
D548,708 S 8/2007 Park et al.
D551,186 S 9/2007 Yang et al.
D556,159 S 11/2007 Park et al.
D556,160 S 11/2007 Lee et al.
D556,709 S 12/2007 Kim et al.
D556,755 S 12/2007 Lee et al.
D556,756 S 12/2007 Kataoka et al.
D556,757 S 12/2007 Kim et al.
D558,201 S 12/2007 Park et al.
D558,696 S 1/2008 Park et al.
D561,130 S 2/2008 Won et al.

D565,521 S 4/2008 Yang et al.
D567,198 S 4/2008 Yang et al.
D567,199 S 4/2008 Kim et al.
2002/0020792 A1* 2/2002 Lee 248/278.1
2005/0041379 A1* 2/2005 Jang 361/681
2006/0076463 A1* 4/2006 Drew 248/121

OTHER PUBLICATIONS

U.S. Appl. No. 29/301,658, Applicant: Eui-Seok Kim, et al., filed Mar. 12, 2008 entitled LCD Monitor.
U.S. Appl. No. 29/269,899, Applicant: Eui-Seok Kim, et al., filed Dec. 11, 2006 entitled: LCD Monitor.
U.S. Appl. No. 29/271,976, Applicant: Kyoung-Hoon Kim, et al., filed Jan. 30, 2007 entitled LCD Television Set.
U.S. Appl. No. 29/271,977, Applicant: Jae-Beom Park, filed Jan. 30, 2007 entitled LCD Monitor.
U.S. Appl. No. 29/286,893, Applicant: Seung-Ho Lee, et al., filed May 22, 2007 entitled LCD Television Set.
U.S. Appl. No. 29/286,895, Applicant: Seung-Ho Lee, et al., filed May 22, 2007 entitled LCD Television Set.
U.S. Appl. No. 29/293,974, Applicant: Eui-Seok Kim, et al., filed Dec. 19, 2007 entitled LCD Monitor.
U.S. Appl. No. 29/293,973, Applicant: Eui-Seok Kim, et al., filed Dec. 19, 2007 entitled LCD Monitor.

* cited by examiner

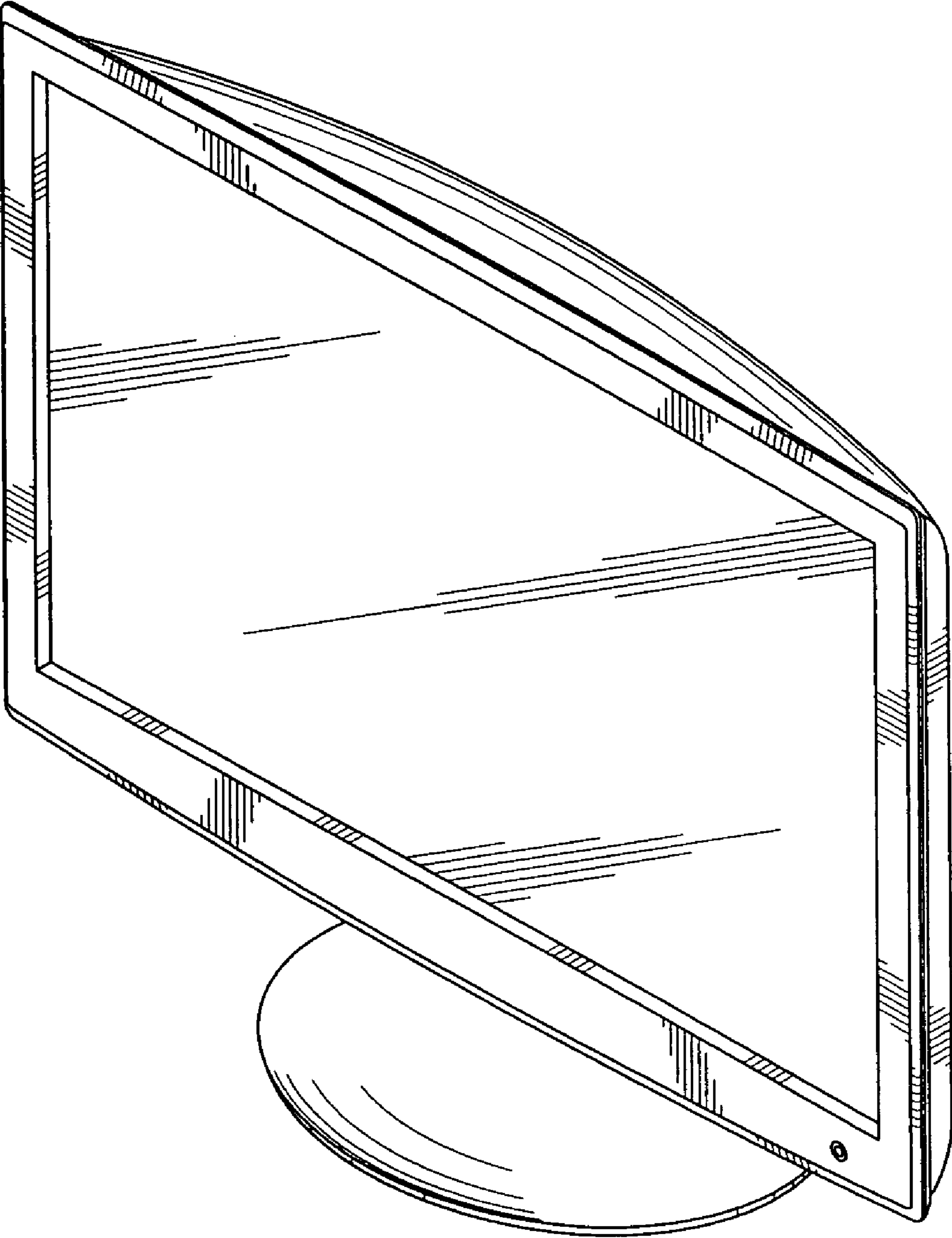


FIG. 1

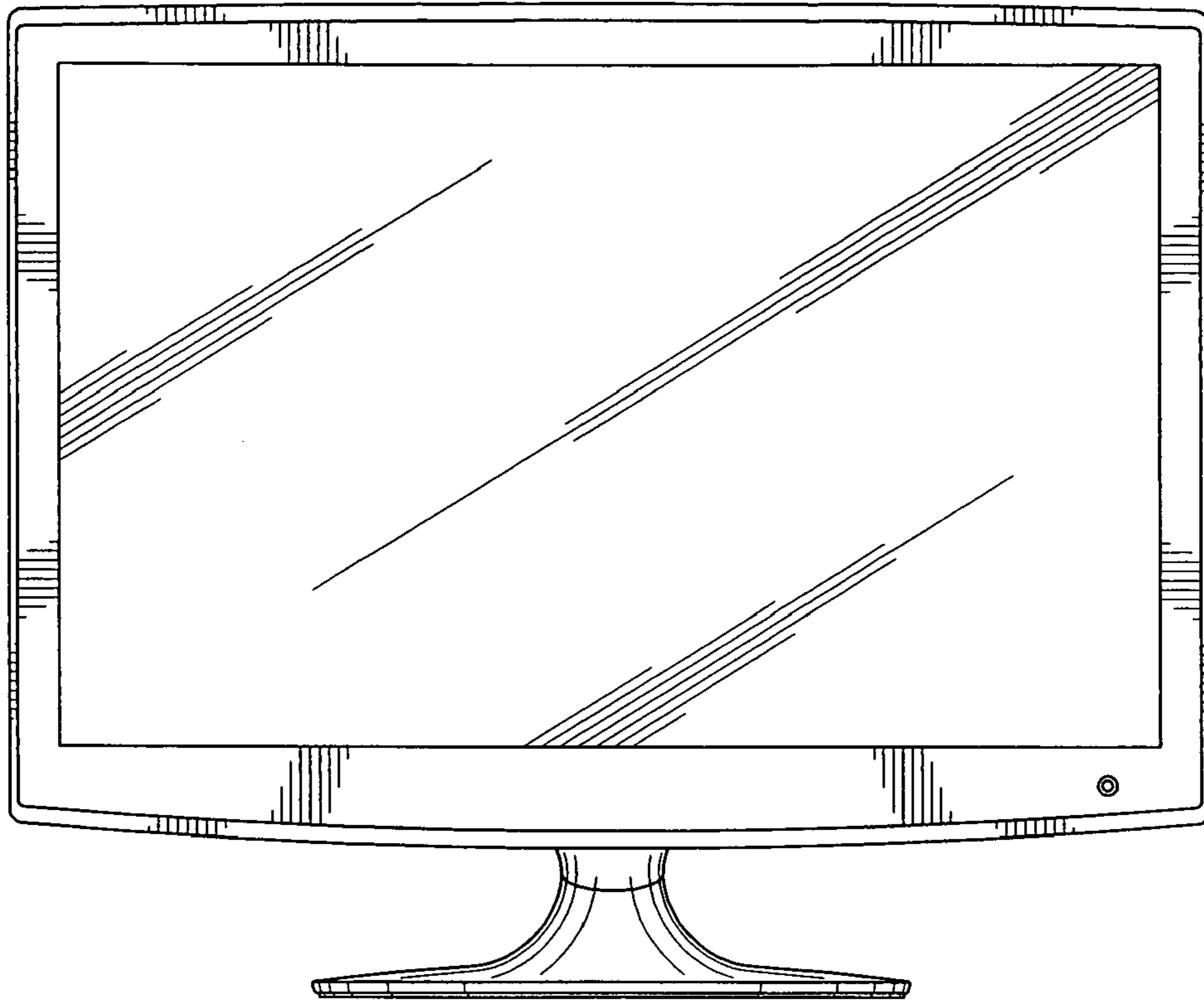


FIG. 2

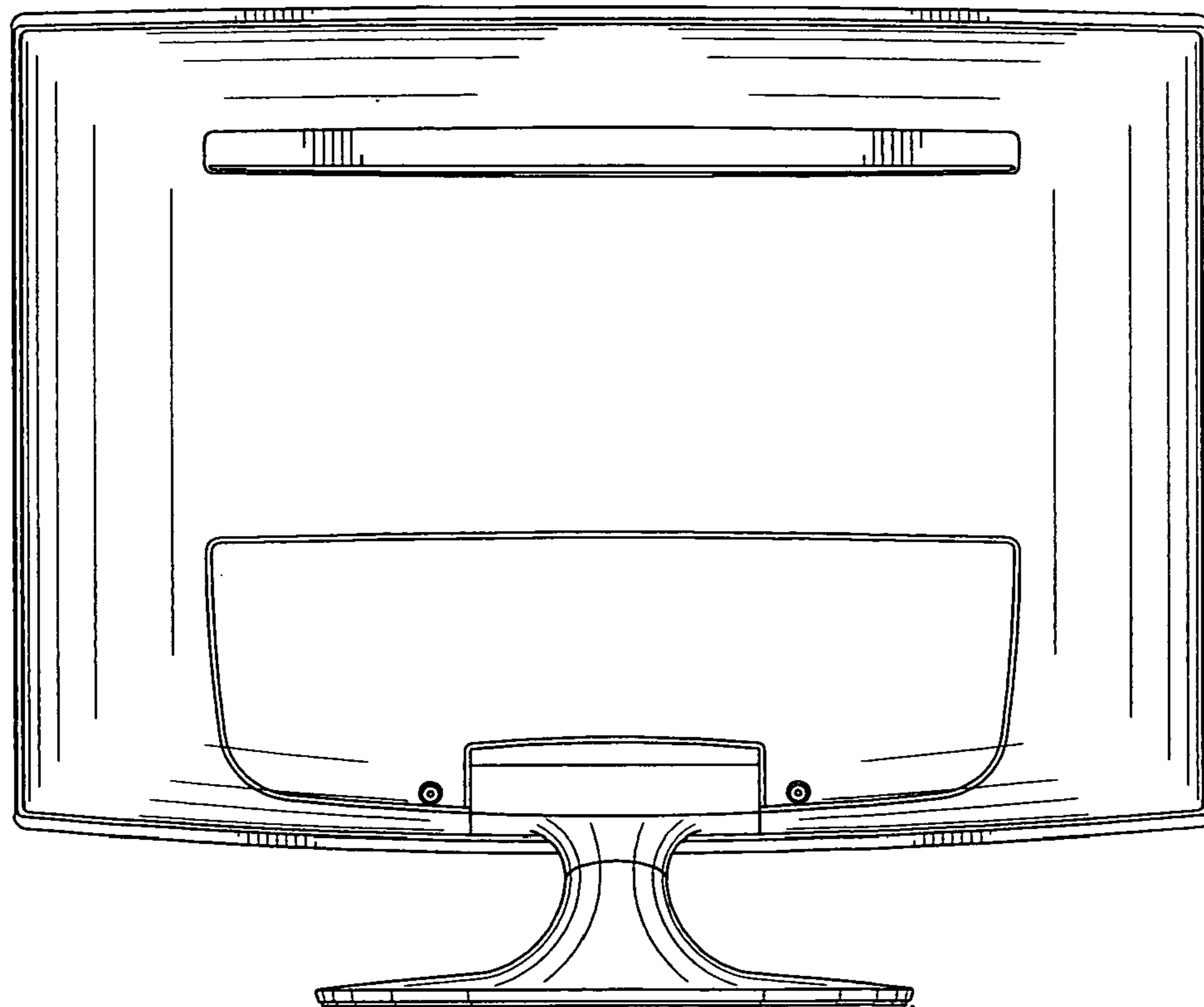


FIG. 3

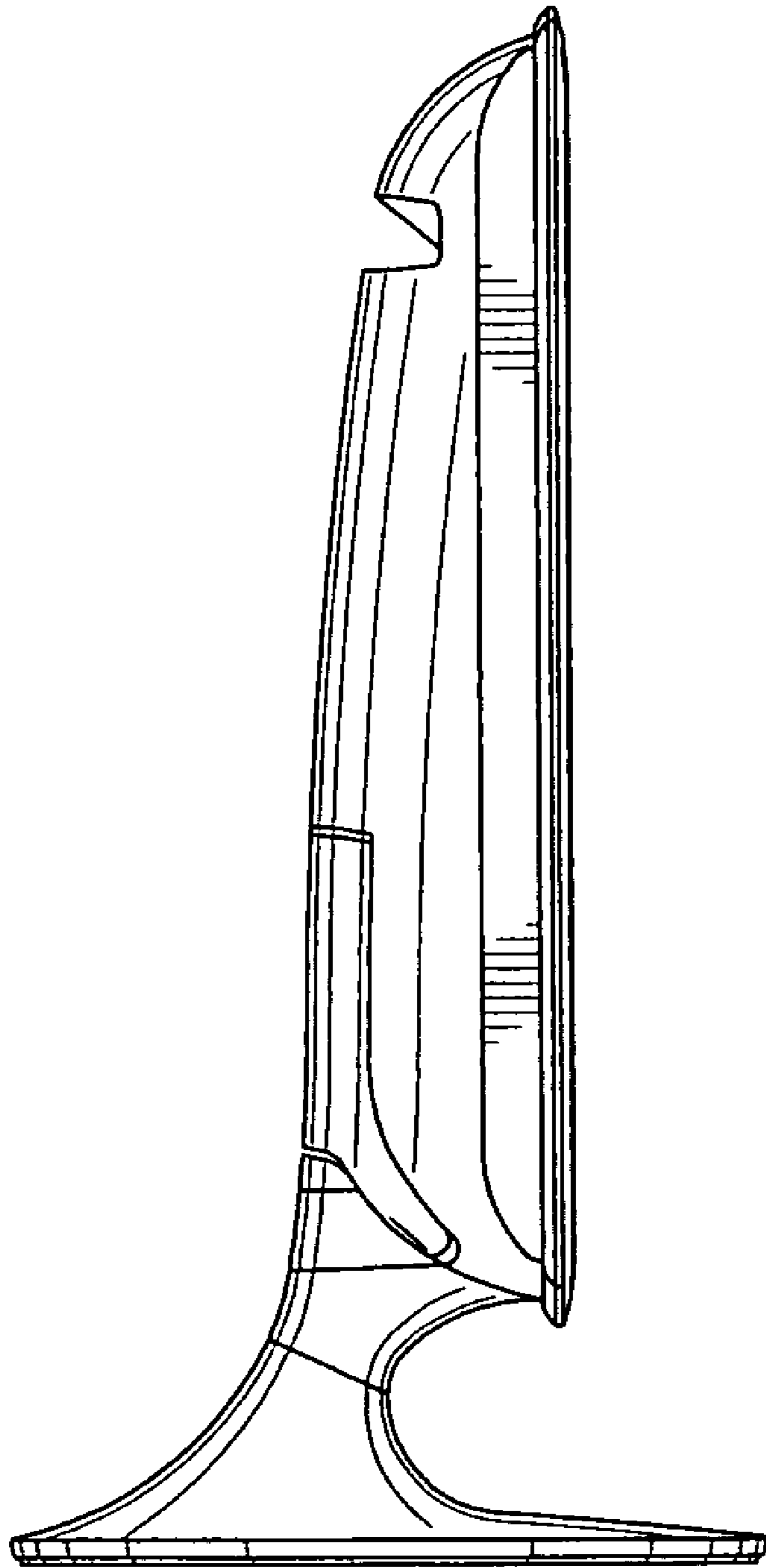


FIG. 4

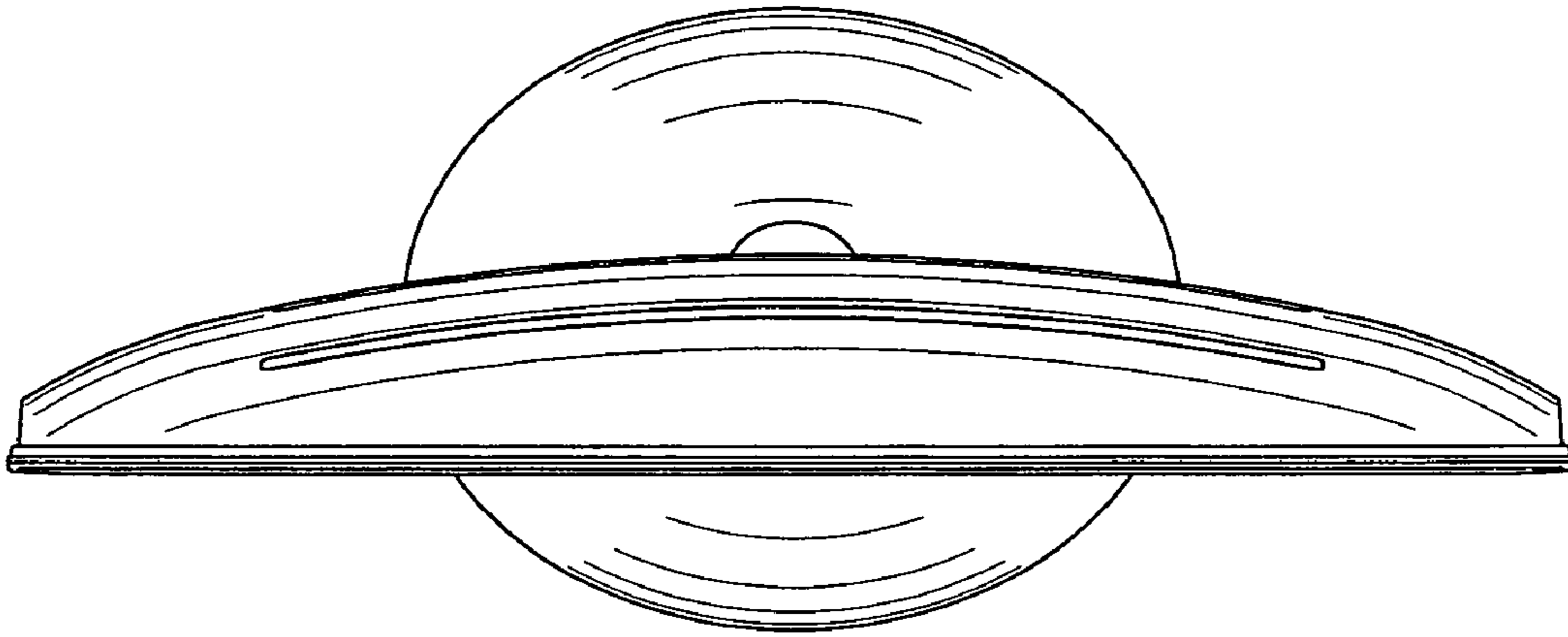


FIG. 5

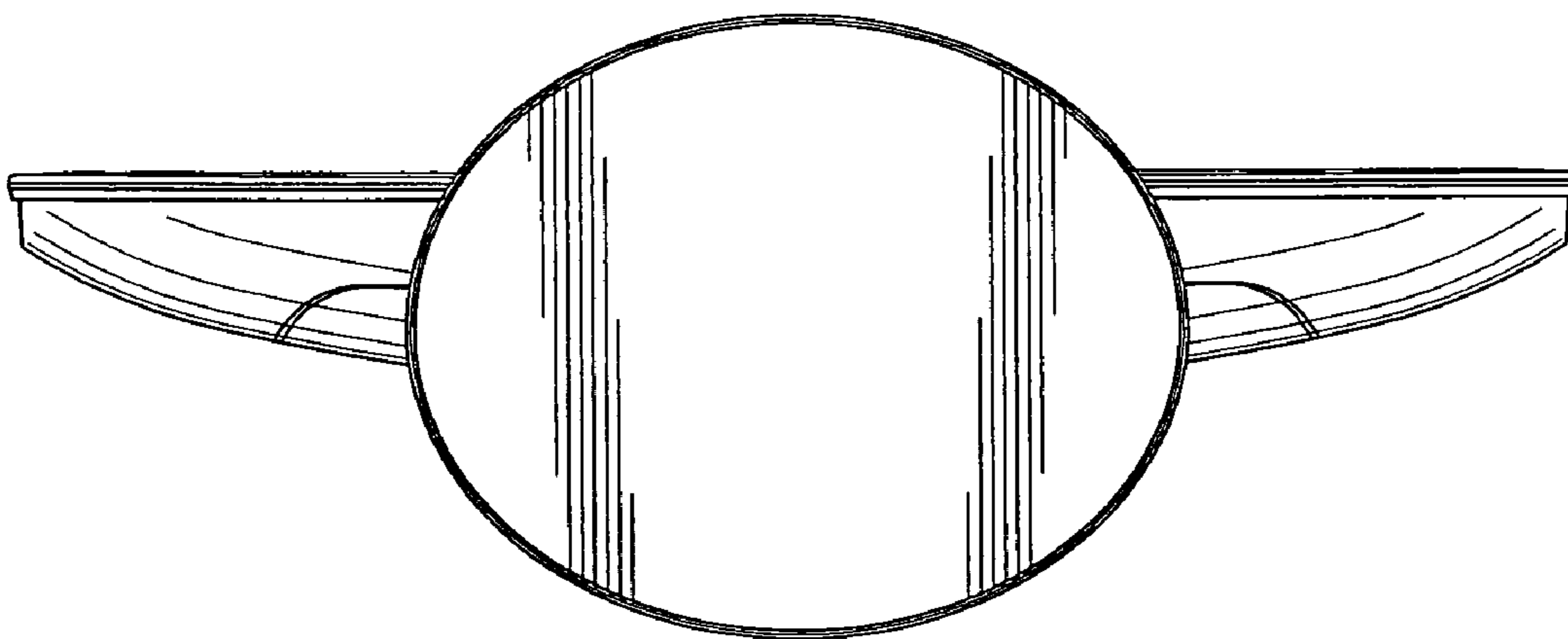


FIG. 6