



US00D586810S

(12) **United States Design Patent**
Hershey et al.

(10) **Patent No.:** **US D586,810 S**

(45) **Date of Patent:** **** Feb. 17, 2009**

(54) **WIRELESS COMMUNICATIONS DEVICE**

(75) Inventors: **George Hershey**, Blue Bell, PA (US);
Mark Striano, Horsham, PA (US);
Roger Hoover, Leesport, PA (US);
Larry Hain, Chalfont, PA (US)

(73) Assignee: **Honeywell International Inc.**,
Morristown, NJ (US)

(**) Term: **14 Years**

(21) Appl. No.: **29/299,621**

(22) Filed: **Dec. 31, 2007**

(51) **LOC (9) Cl.** **14-02**

(52) **U.S. Cl.** **D14/358**

(58) **Field of Classification Search** D14/356,
D14/358, 432, 433, 137, 138, 140, 155, 188,
D14/217, 240, 299; D13/110, 184; 439/488,
439/490, 901; 379/1.03, 38, 39, 42, 67.1,
379/88.17, 90.01, 93.01, 93.17, 142.07, 219,
379/220.01, 221.14, 221.15, 387.01, 397,
379/399.01, 419, 428.01, 457; 455/3.01,
455/3.05, 3.06, 426.1, 500, 73, 74, 556.1,
455/561, 575.1, 89, 91, 95, 130, 132, 344,
455/347, 899, FOR. 254

See application file for complete search history.

(56) **References Cited**

U.S. PATENT DOCUMENTS

D251,730 S 5/1979 Root et al.

D256,016 S 7/1980 Iwata et al.
D372,248 S * 7/1996 Tahmassebpur D14/242
D429,238 S * 8/2000 Kolinen D14/240
D473,221 S * 4/2003 Gargani et al. D14/240
D478,577 S * 8/2003 Kolls et al. D14/240
D487,276 S * 3/2004 Cobigo D14/496
D566,710 S * 4/2008 Chun et al. D14/358
D573,144 S * 7/2008 Lin D14/358

* cited by examiner

Primary Examiner—Brian N Vinson

(74) *Attorney, Agent, or Firm*—Neil R. Jetter

(57) **CLAIM**

The ornamental design for a wireless communications device, as shown and described.

DESCRIPTION

FIG. 1 is a perspective view of a wireless communications device showing our design;

FIG. 2 is a top view of the wireless communications device of FIG. 1;

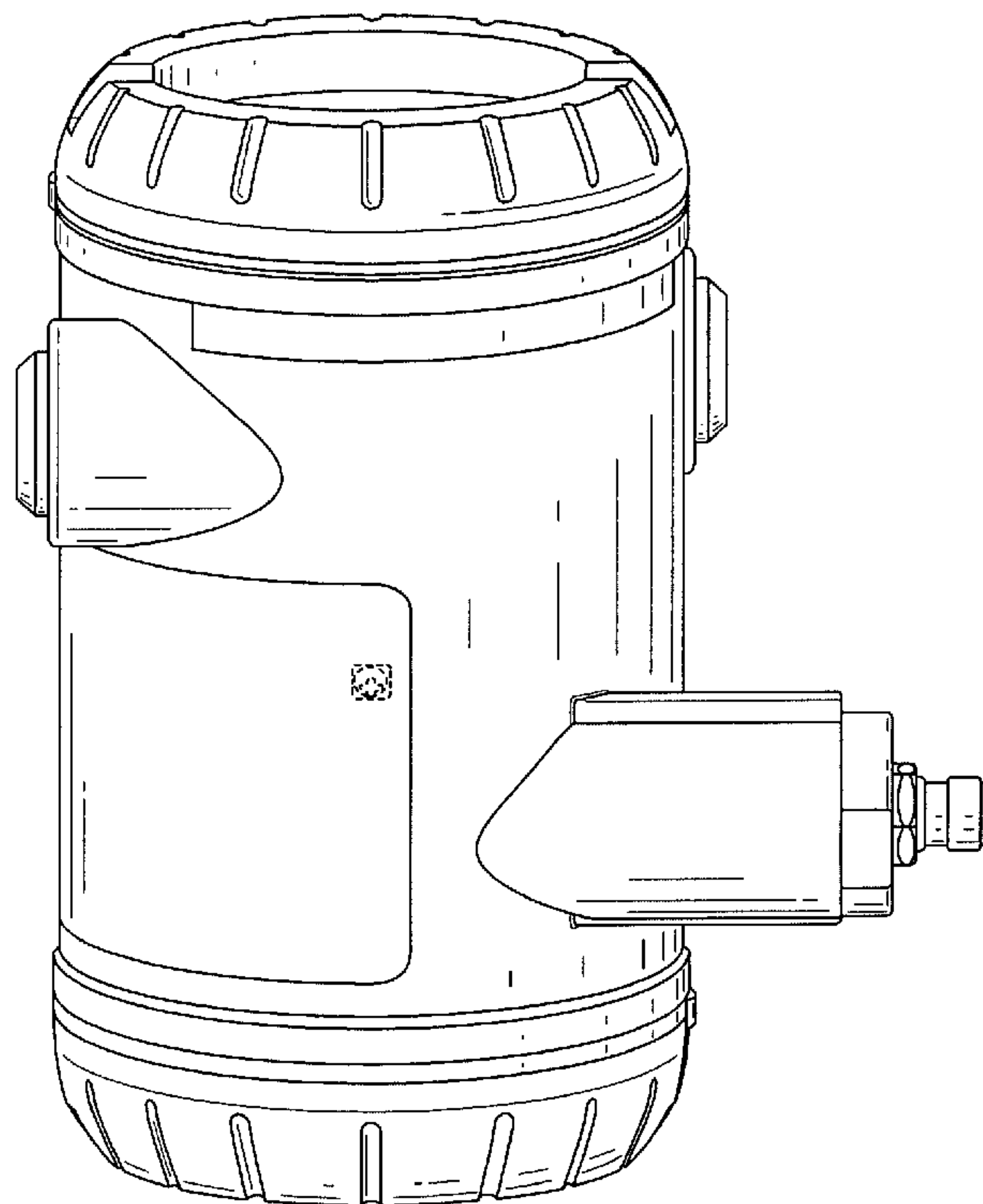
FIG. 3 is a plan view of the wireless communications device of FIG. 1;

FIG. 4 is a side view of the wireless communications device of FIG. 1; and,

FIG. 5 is a plan view of the wireless communications device of FIG. 1, opposite the plan view of FIG. 3.

The broken line showing in FIGS. 1 through 5 is for illustrative purposes only and forms no part of the claimed design.

1 Claim, 5 Drawing Sheets



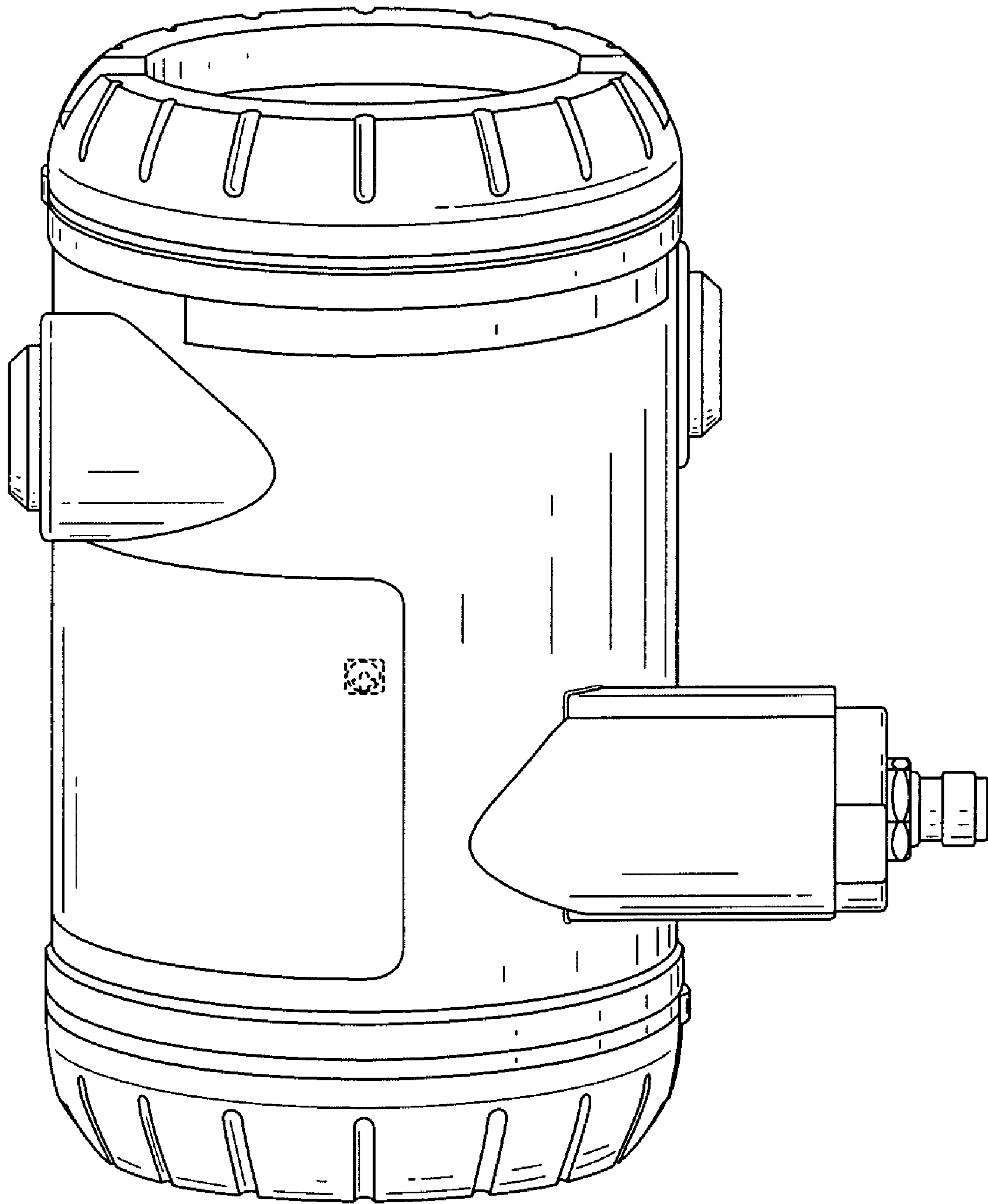


FIG. 1

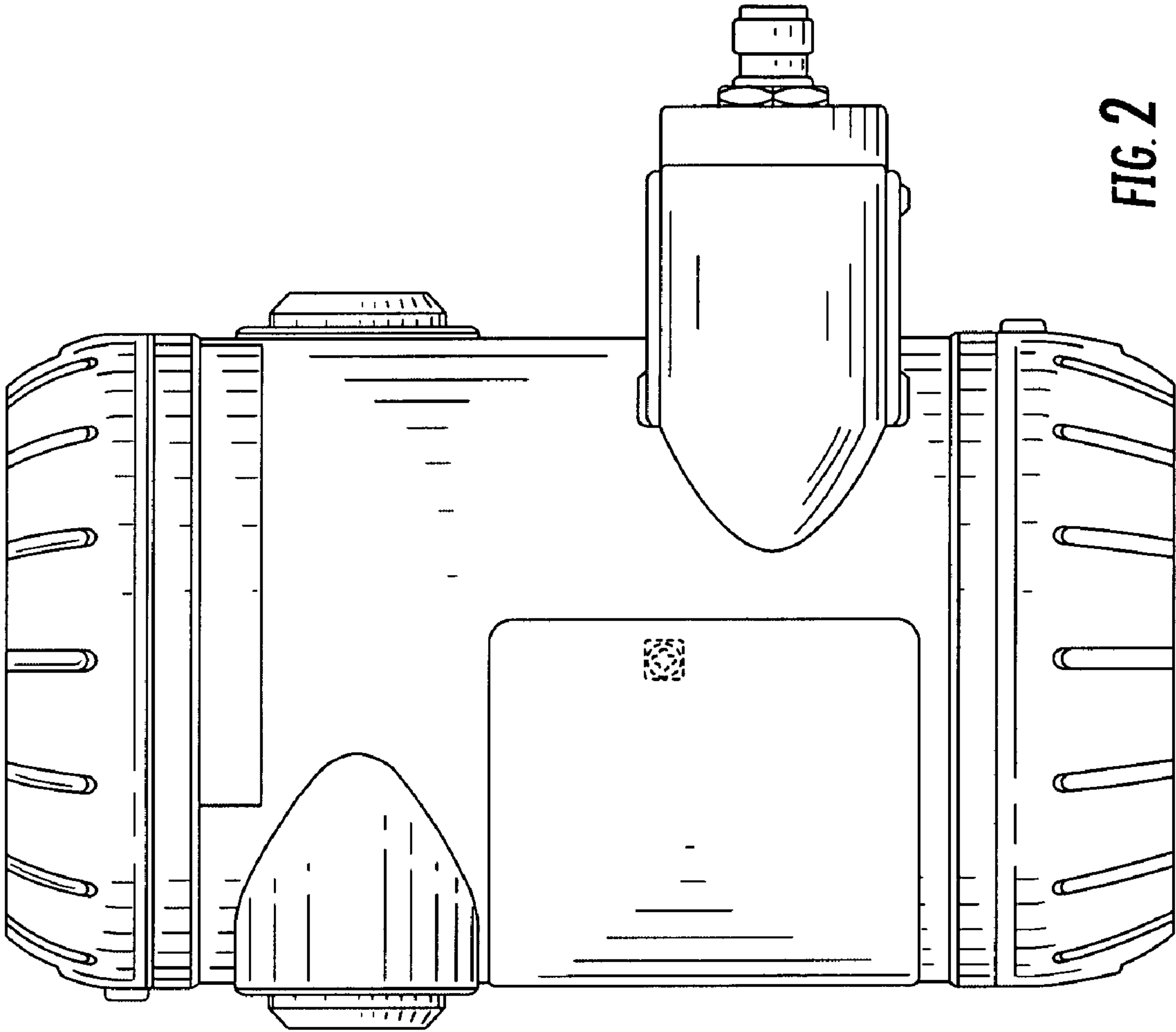


FIG. 2

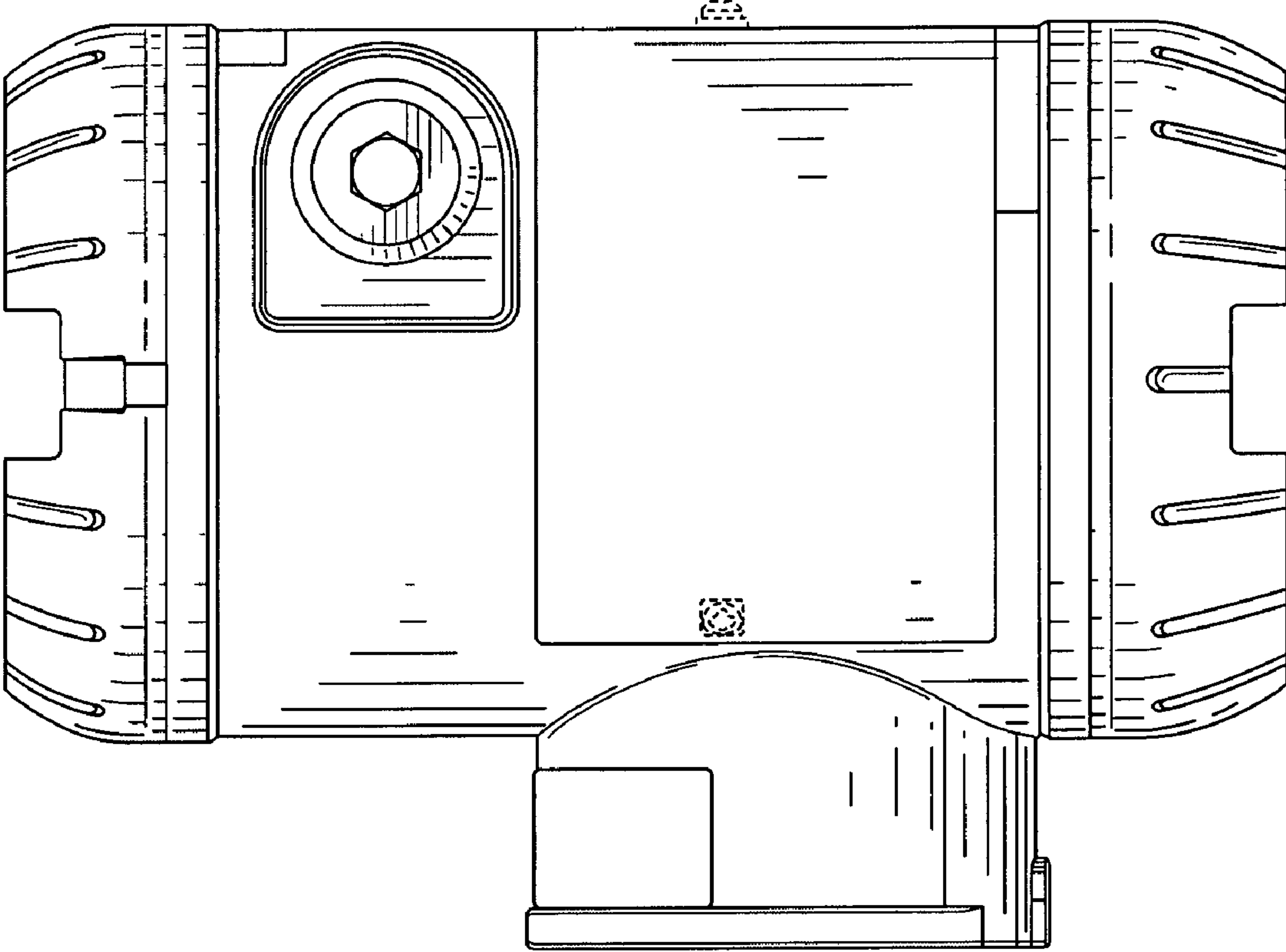


FIG. 3

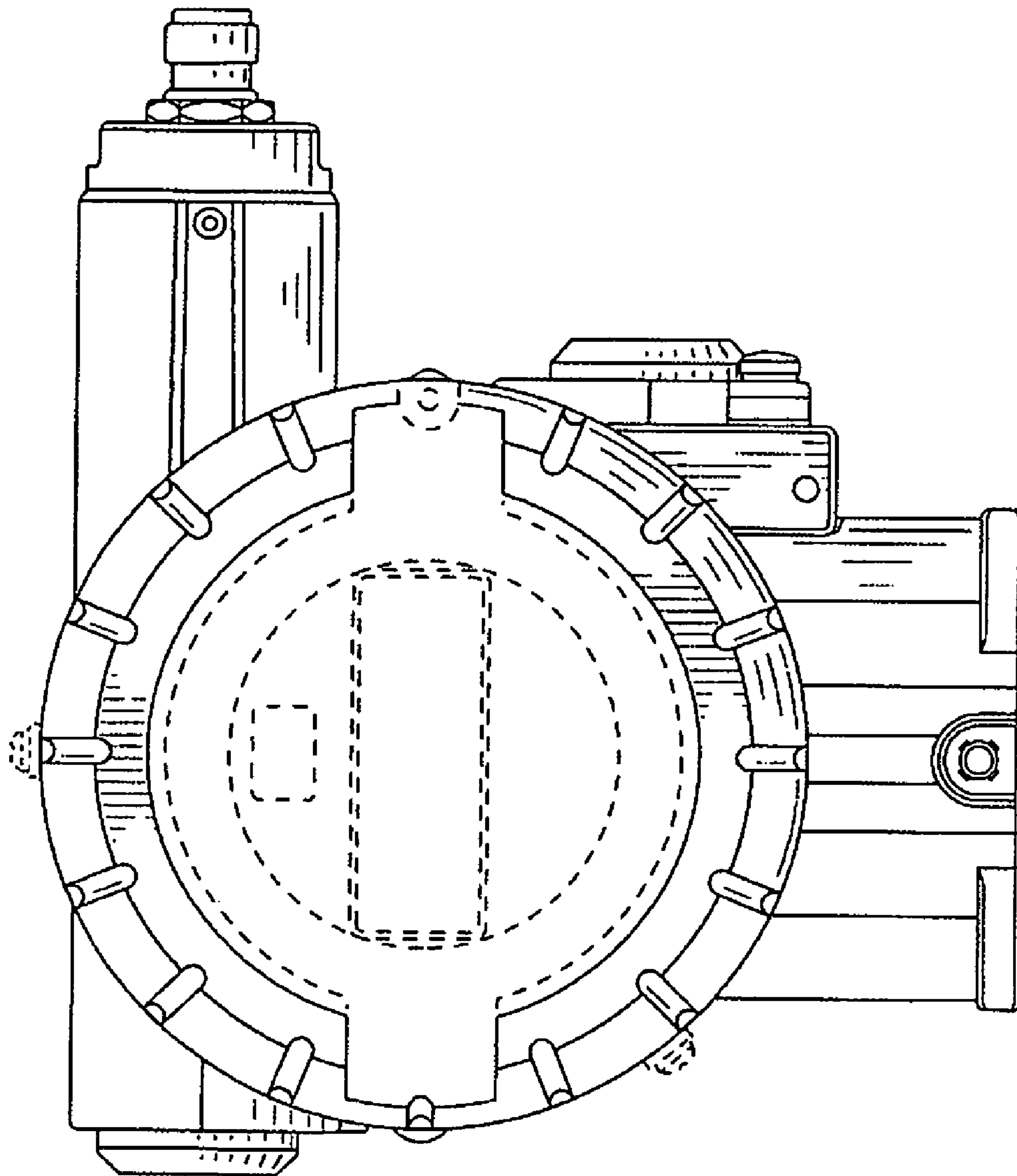


FIG. 4

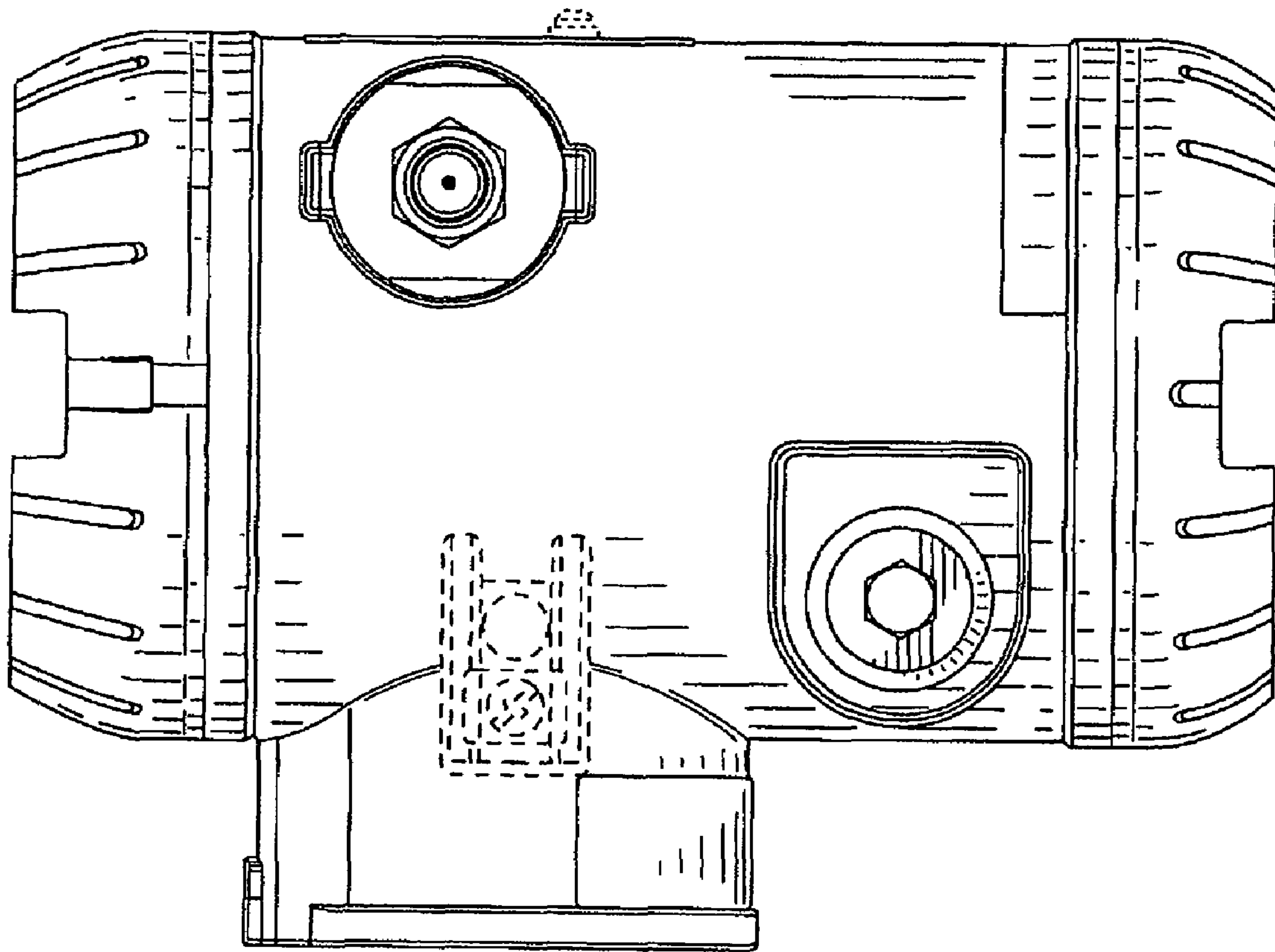


FIG. 5