



US00D586809S

(12) **United States Design Patent**
Jones et al.

(10) **Patent No.:** **US D586,809 S**
(45) **Date of Patent:** **** Feb. 17, 2009**

(54) **DONGLE**

(75) Inventors: **Terrence K. Jones**, Jamestown, RI (US);
Roy Thompson, Dorchesster, MA (US)

(73) Assignee: **Newton Peripherals, LLC**, Natick, MA (US)

(**) Term: **14 Years**

(21) Appl. No.: **29/282,959**

(22) Filed: **Aug. 2, 2007**

(51) **LOC (9) Cl.** **14-02**

(52) **U.S. Cl.** **D14/358**

(58) **Field of Classification Search** D14/411,
D14/384-385, 518, 348, 432-436, 299, 167,
D14/402, 242, 356, 358, 496, 156, 240; 455/344;
710/300-301; 361/684-686; 439/518, 139-141,
439/131, 607, 133; 365/63

See application file for complete search history.

(56) **References Cited**

U.S. PATENT DOCUMENTS

D291,803 S *	9/1987	Mantell	D14/240
D454,130 S *	3/2002	Do et al.	D14/433
6,544,075 B1 *	4/2003	Liao	439/638
6,612,874 B1 *	9/2003	Stout et al.	439/640
6,758,689 B1 *	7/2004	Bair et al.	439/136
6,786,734 B2 *	9/2004	Yu	439/640
D499,100 S *	11/2004	Neel et al.	D14/435
D502,182 S *	2/2005	Mitchell et al.	D14/436
6,975,274 B2 *	12/2005	Sanchez et al.	343/702

D529,878 S *	10/2006	Wang	D14/125
D560,214 S *	1/2008	Yuba et al.	D14/230
7,357,654 B2 *	4/2008	Lin et al.	439/164
2002/0182906 A1 *	12/2002	Teng et al.	439/131

OTHER PUBLICATIONS

A-Data Technology—Classic Series PD0 Flash Drive [online], [retrieved on Jul. 3, 2007]. Retrieved from the Internet <URL: http://www.adata.com.tw/adata_en/product_show.php?ProductNo=AP00ZZZBU>.*

* cited by examiner

Primary Examiner—Robin V Webster
Assistant Examiner—Karen E Kearney

(74) *Attorney, Agent, or Firm*—Grossman, Tucker, Perreault & Pflieger, PLLC

(57) **CLAIM**

The ornamental design for a dongle, as shown and described.

DESCRIPTION

FIG. 1 is a front view of an embodiment of a dongle of the present invention;

FIG. 2 is a back view of the dongle of FIG. 1;

FIG. 3 is a top view of the dongle of FIG. 1;

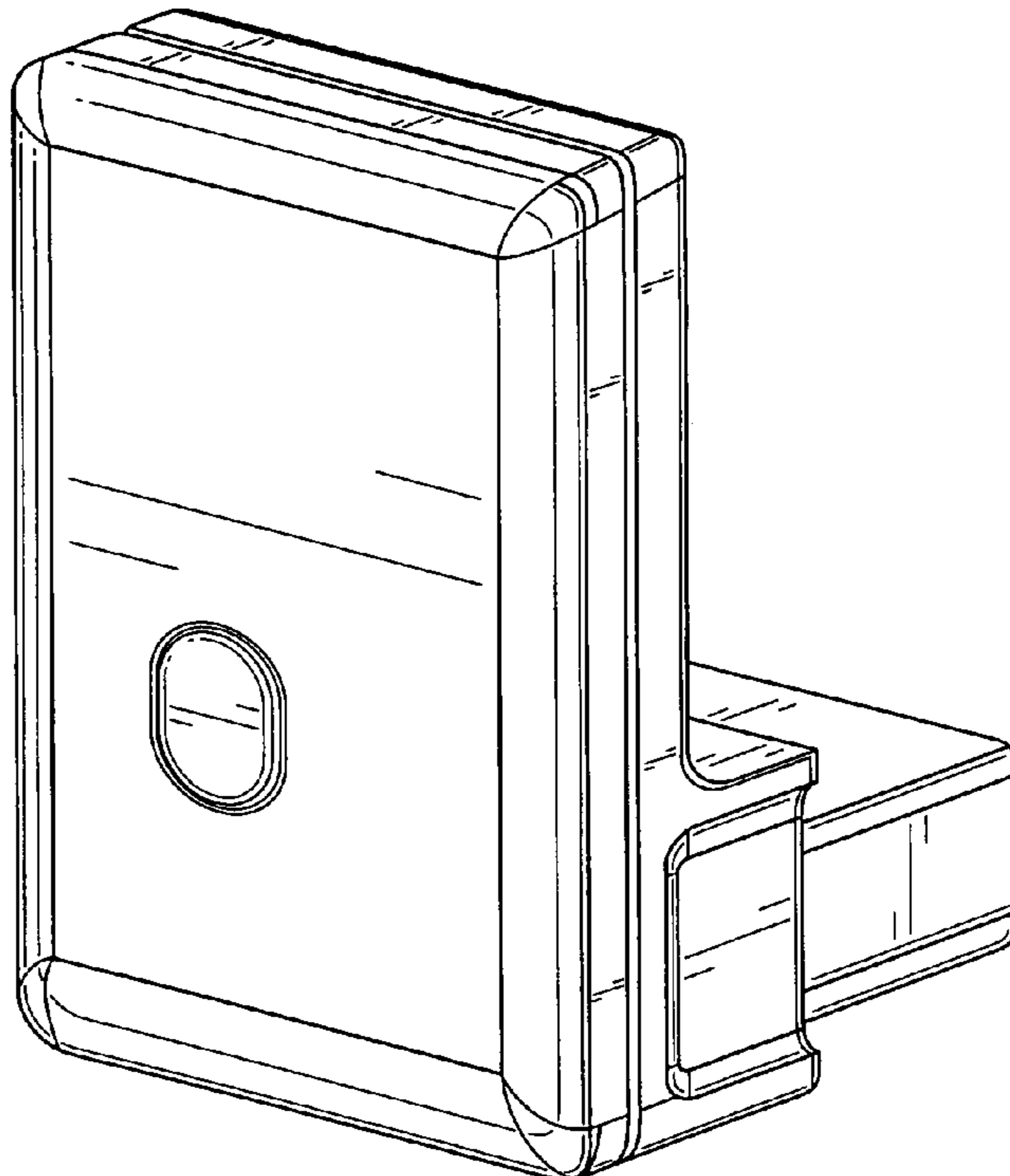
FIG. 4 is a bottom view of the dongle of FIG. 1;

FIG. 5 is a right side view of the dongle of FIG. 1;

FIG. 6 is a left side view of the dongle of FIG. 1; and,

FIG. 7 is a perspective view of the dongle of FIG. 1.

1 Claim, 7 Drawing Sheets



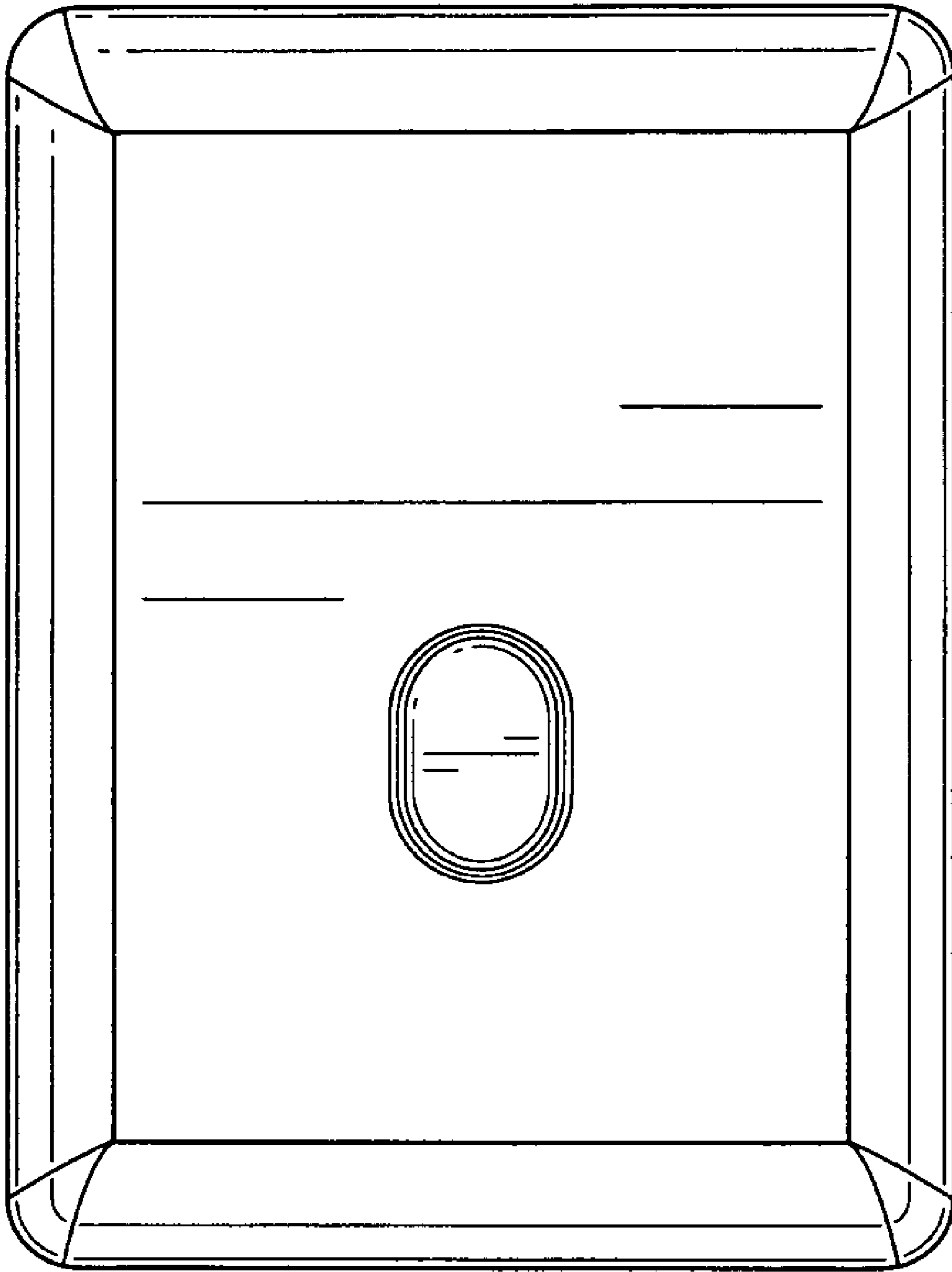


FIG. 1

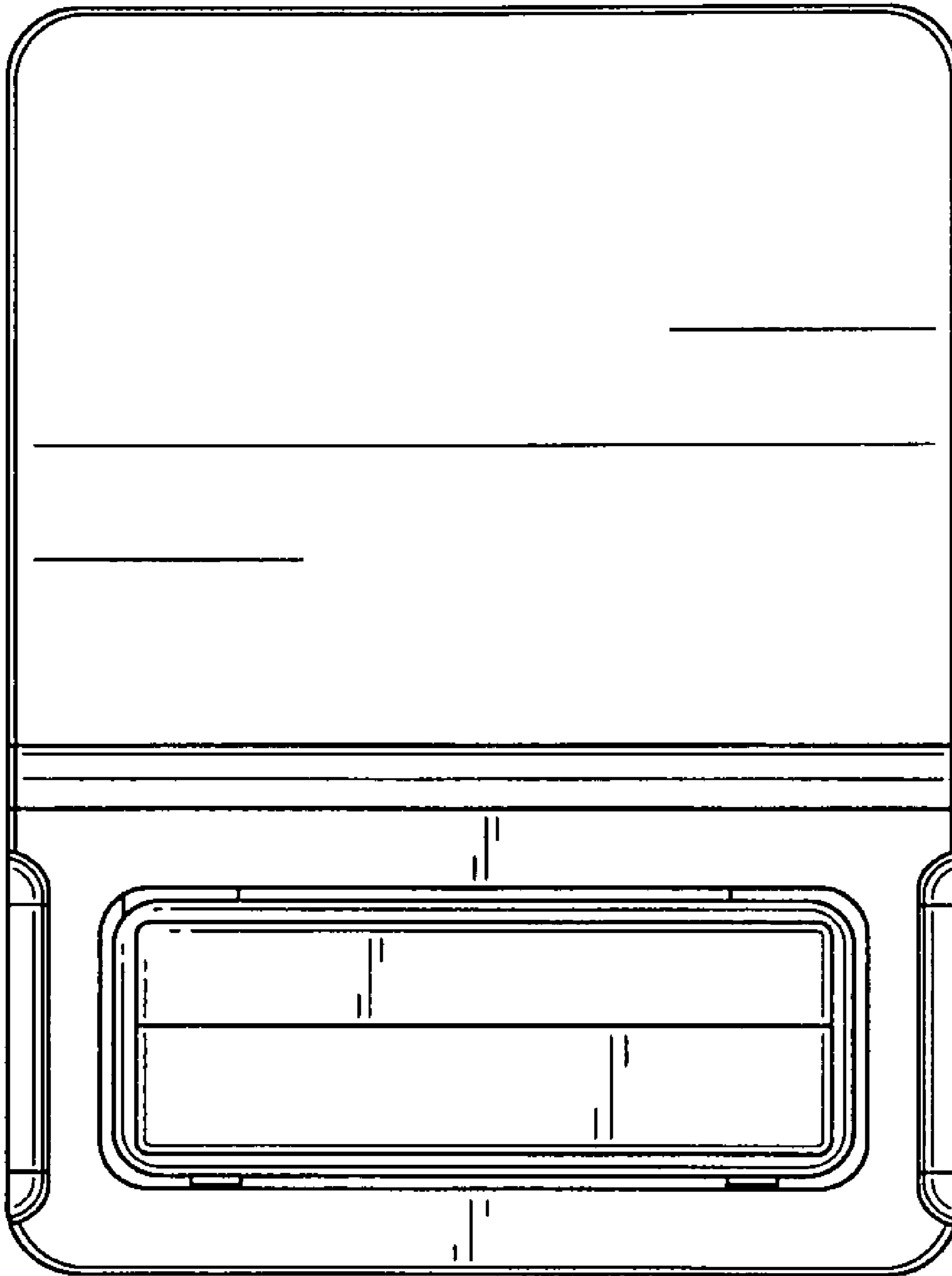


FIG. 2

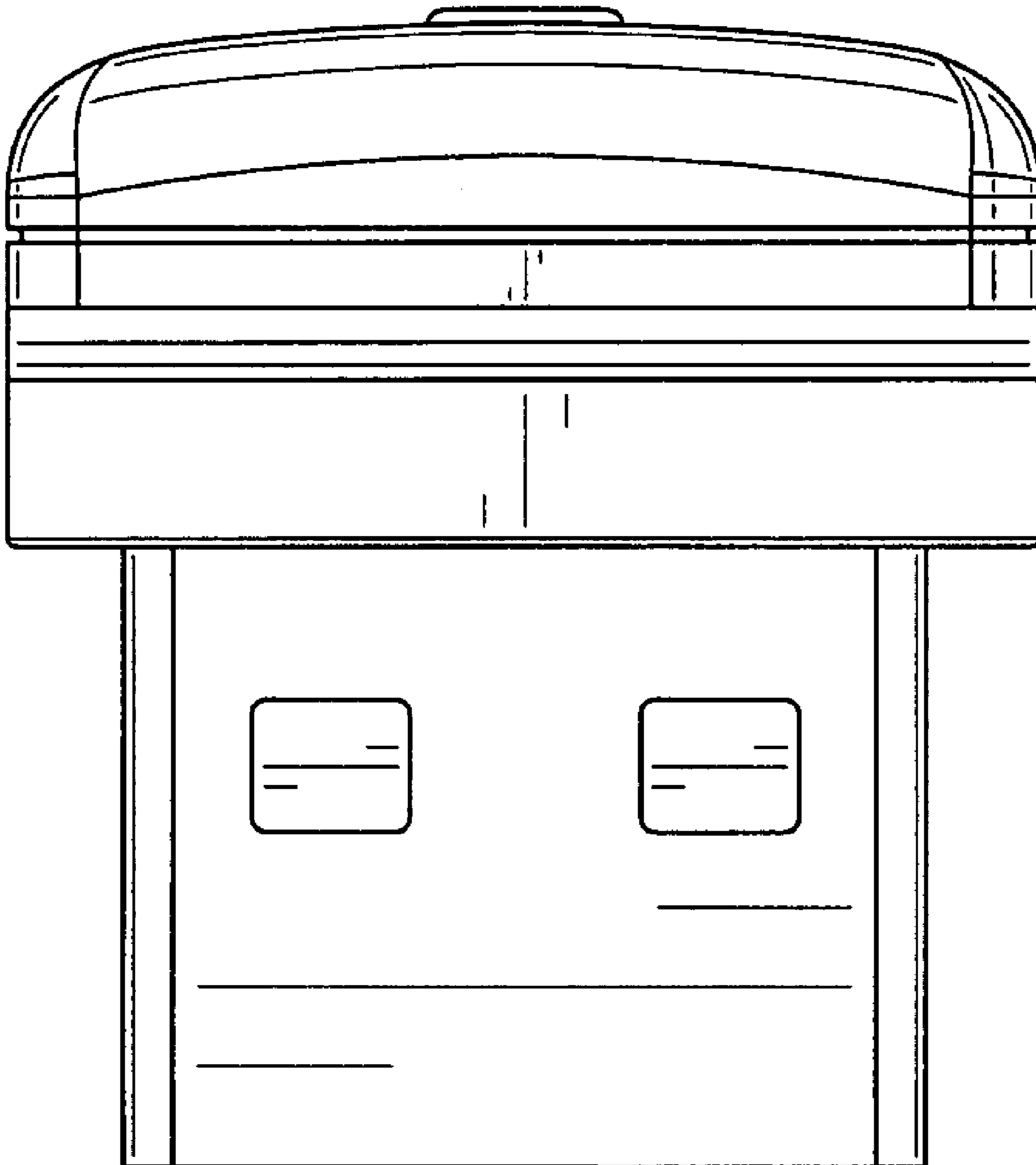


FIG. 3

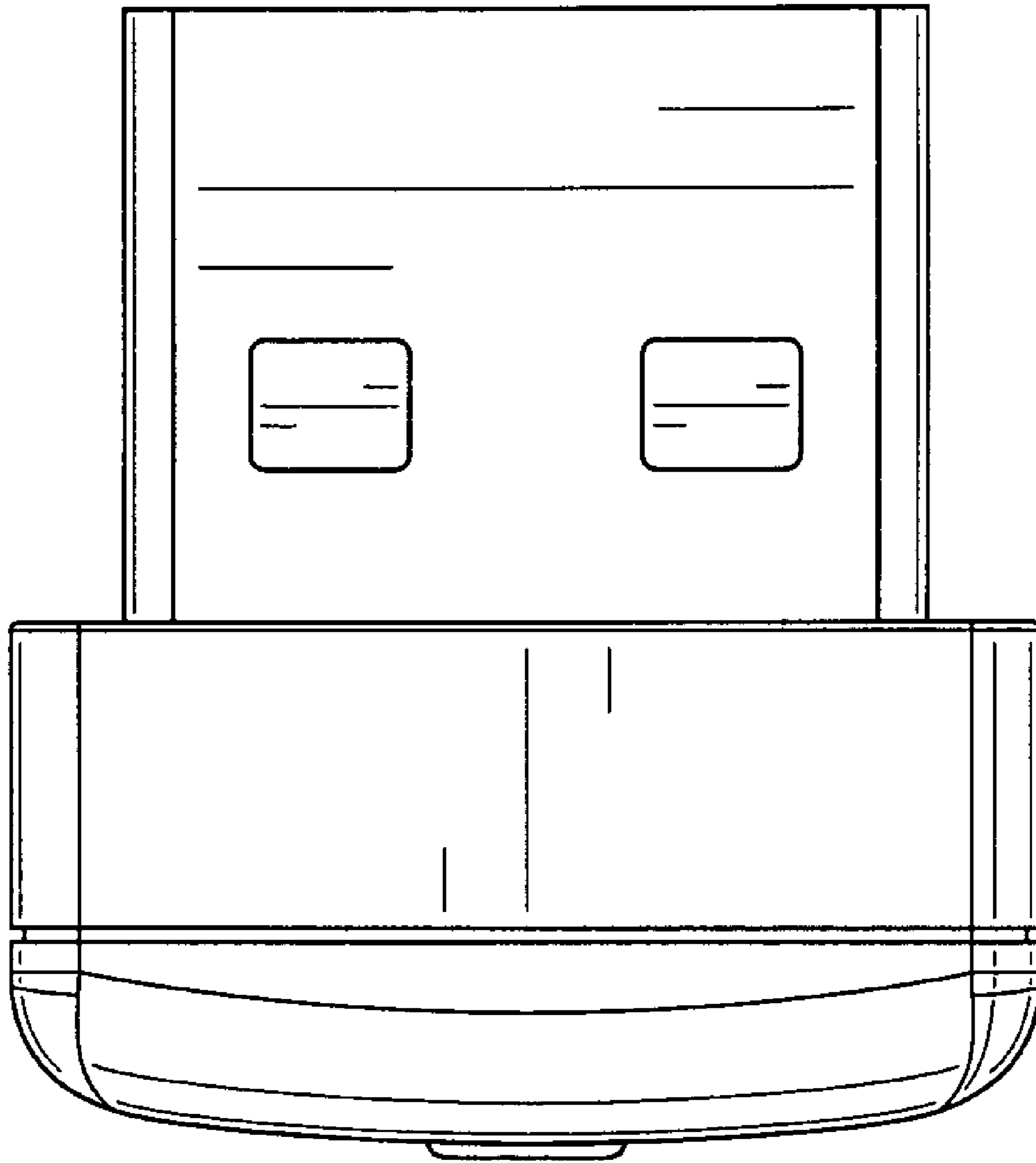


FIG. 4

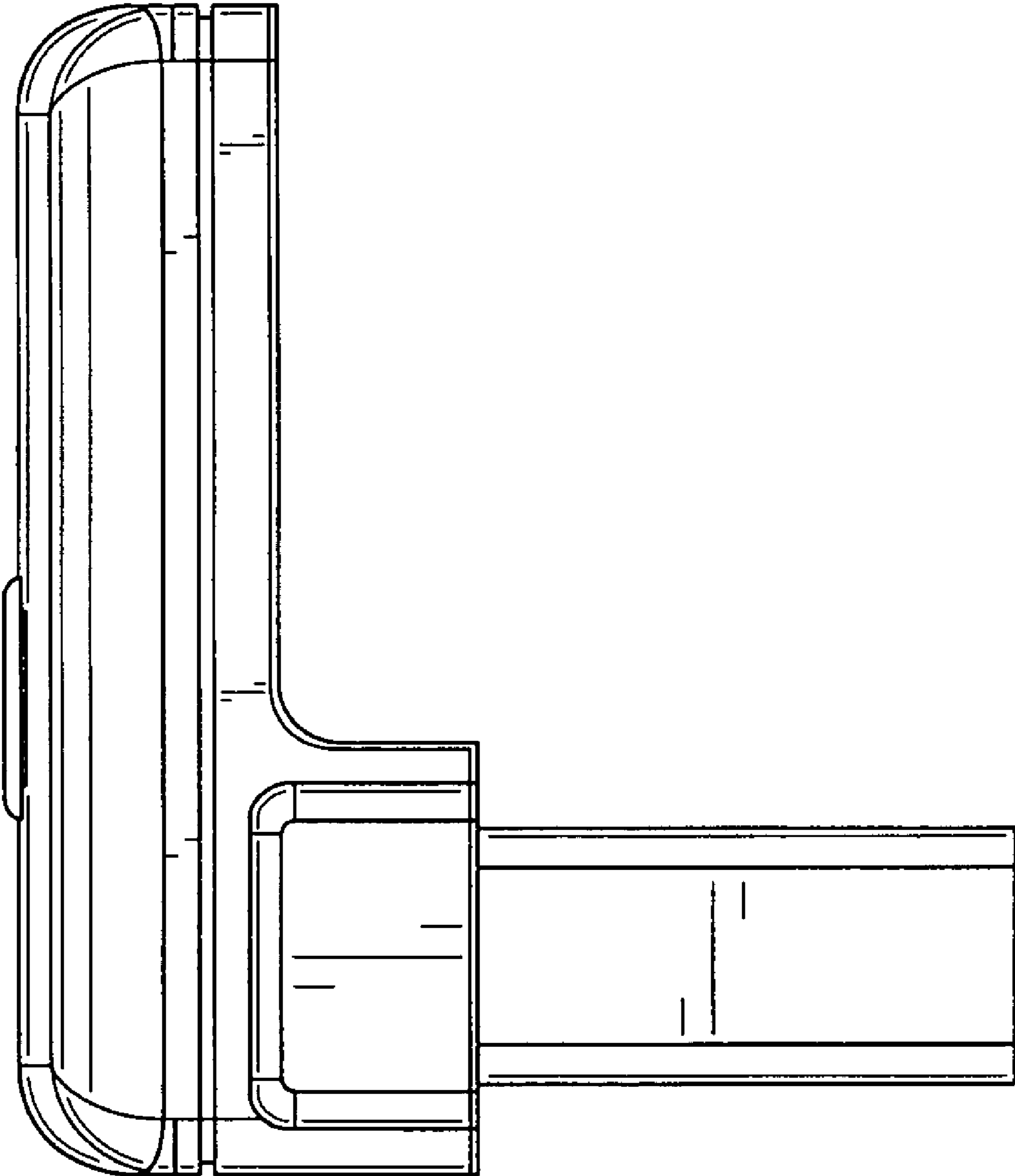


FIG. 5

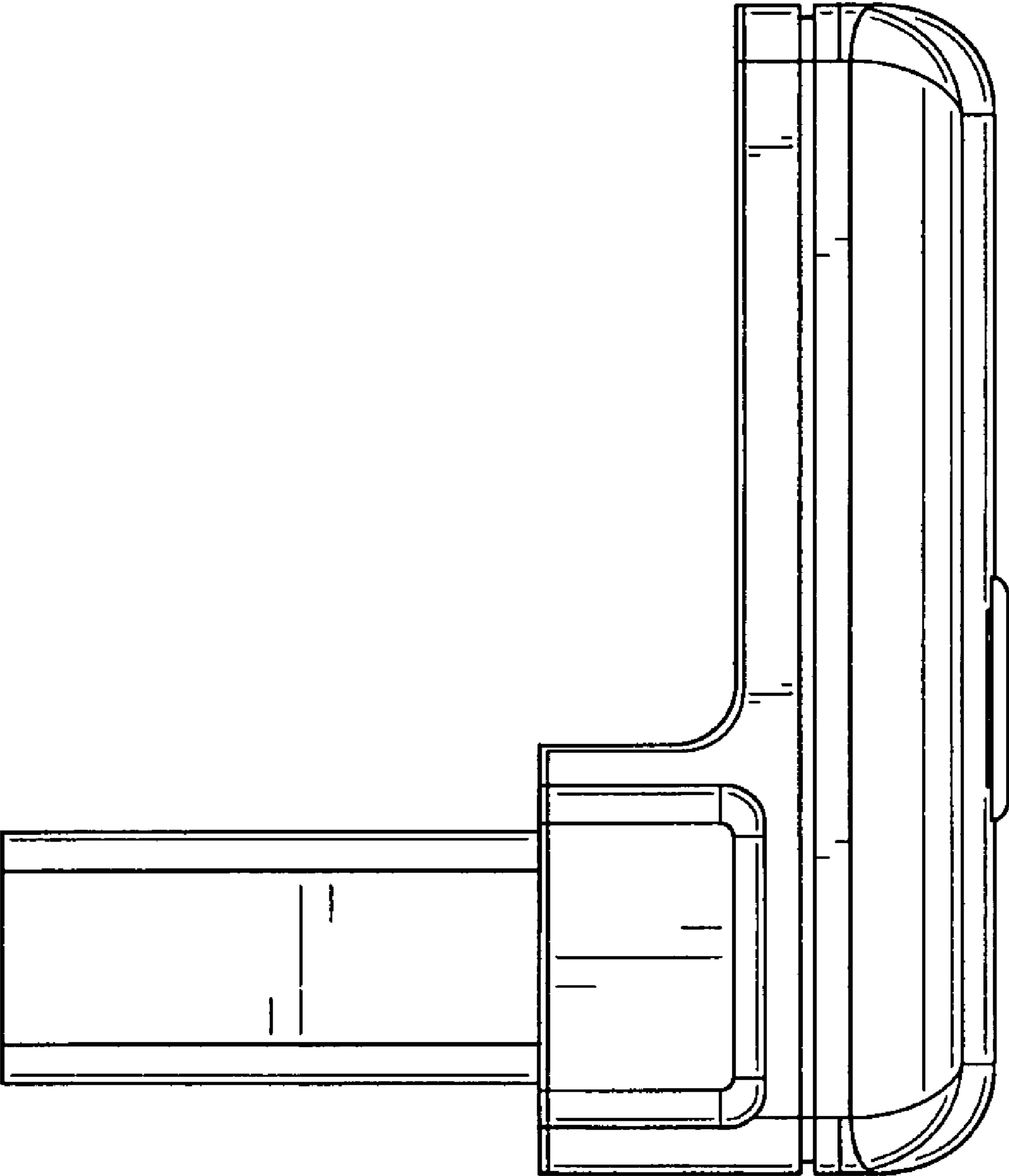


FIG. 6

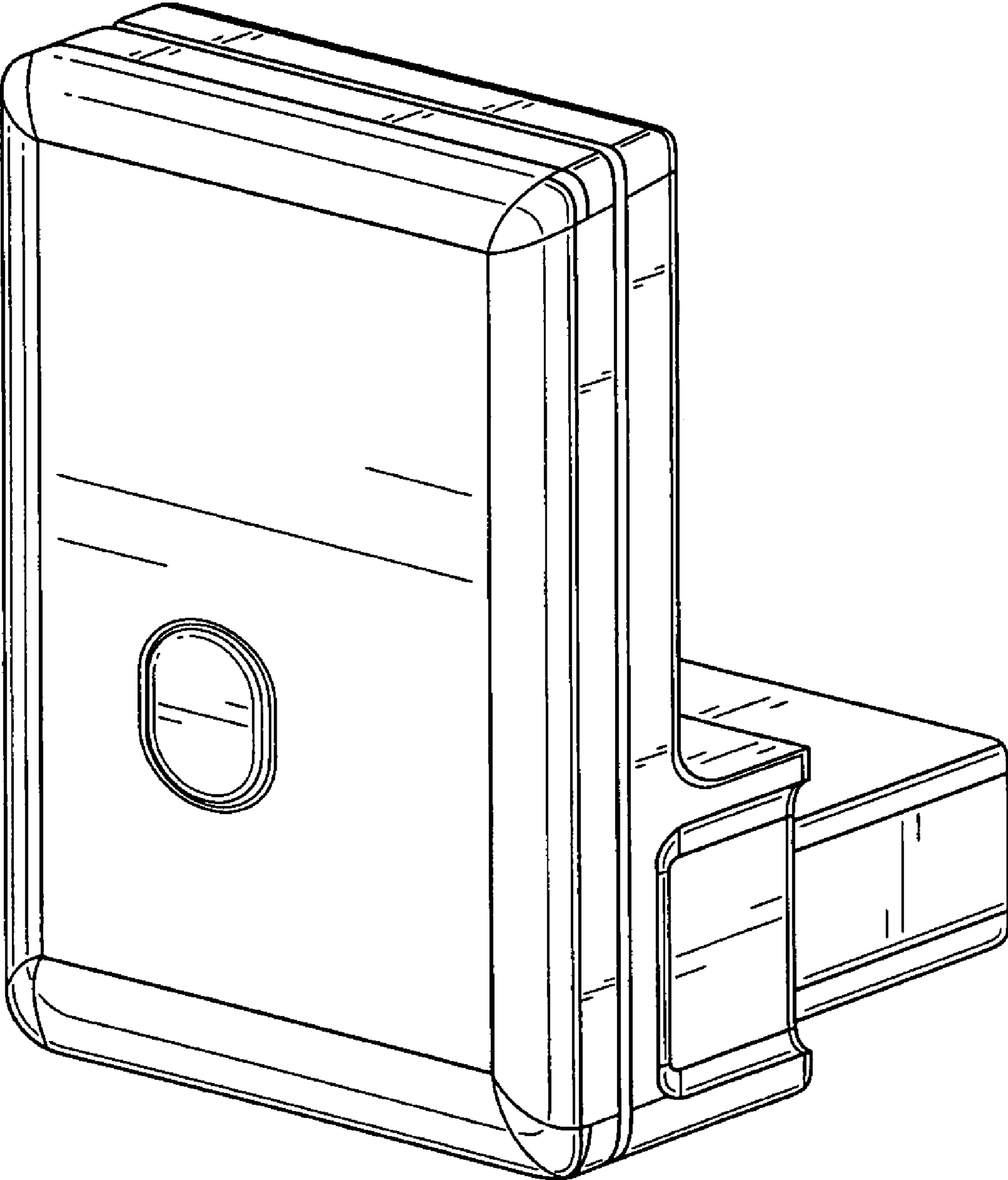


FIG. 7