



US00D586799S

(12) **United States Design Patent**  
**Gluskoter et al.**

(10) **Patent No.:** **US D586,799 S**  
(45) **Date of Patent:** **\*\* Feb. 17, 2009**

(54) **PORTABLE INFORMATION HANDLING SYSTEM**

(75) Inventors: **Steven D. Gluskoter**, Austin, TX (US);  
**Toshiyuki Tanaka**, Austin, TX (US);  
**Viorel Luminosu**, Round Rock, TX (US);  
**Takahide Okai**, Round Rock, TX (US);  
**Jeffrey W. Mulhausen**, Austin, TX (US);  
**Michael Massuco**, Oakland, CA (US)

(73) Assignee: **Dell Products L.P.**, Round Rock, TX (US)

(\*\*) Term: **14 Years**

(21) Appl. No.: **29/302,612**

(22) Filed: **Jan. 21, 2008**

(51) **LOC (9) Cl.** ..... **14-02**

(52) **U.S. Cl.** ..... **D14/315**

(58) **Field of Classification Search** ..... D14/315,  
D14/331, 341-346, 318, 327; D18/1, 2,  
D18/7, 11; 348/373; 200/5 A, 5 R, 6 A,  
200/6 R; 345/102, 168, 173; 235/145 A,  
235/145 R; 400/472, 479, 484-489; 361/680-686;  
341/22, 23; D3/294

See application file for complete search history.

(56) **References Cited**

**U.S. PATENT DOCUMENTS**

D391,927 S \* 3/1998 Faranda et al. .... D14/318  
6,323,902 B1 \* 11/2001 Ishikawa ..... 348/373

D480,079 S \* 9/2003 Miao et al. .... D14/315  
D504,129 S \* 4/2005 Loew et al. .... D14/318  
D504,683 S 5/2005 Kim et al.  
D516,066 S \* 2/2006 Solomon et al. .... D14/327  
D523,428 S \* 6/2006 Ozias et al. .... D14/315  
D543,700 S \* 6/2007 Parker et al. .... D3/294  
D565,045 S 3/2008 Wu et al.

\* cited by examiner

*Primary Examiner*—Freda S Nunn

(74) *Attorney, Agent, or Firm*—Hamilton & Terrile, LLP;  
Robert W. Holland

(57) **CLAIM**

The ornamental design for a portable information handling system, as shown and described.

**DESCRIPTION**

FIG. 1 is a front perspective view of the portable information handling system comprising the present invention;

FIG. 2 is a front side view thereof;

FIG. 3 is a right side view thereof;

FIG. 4 is a left side view thereof;

FIG. 5 is a rear view thereof;

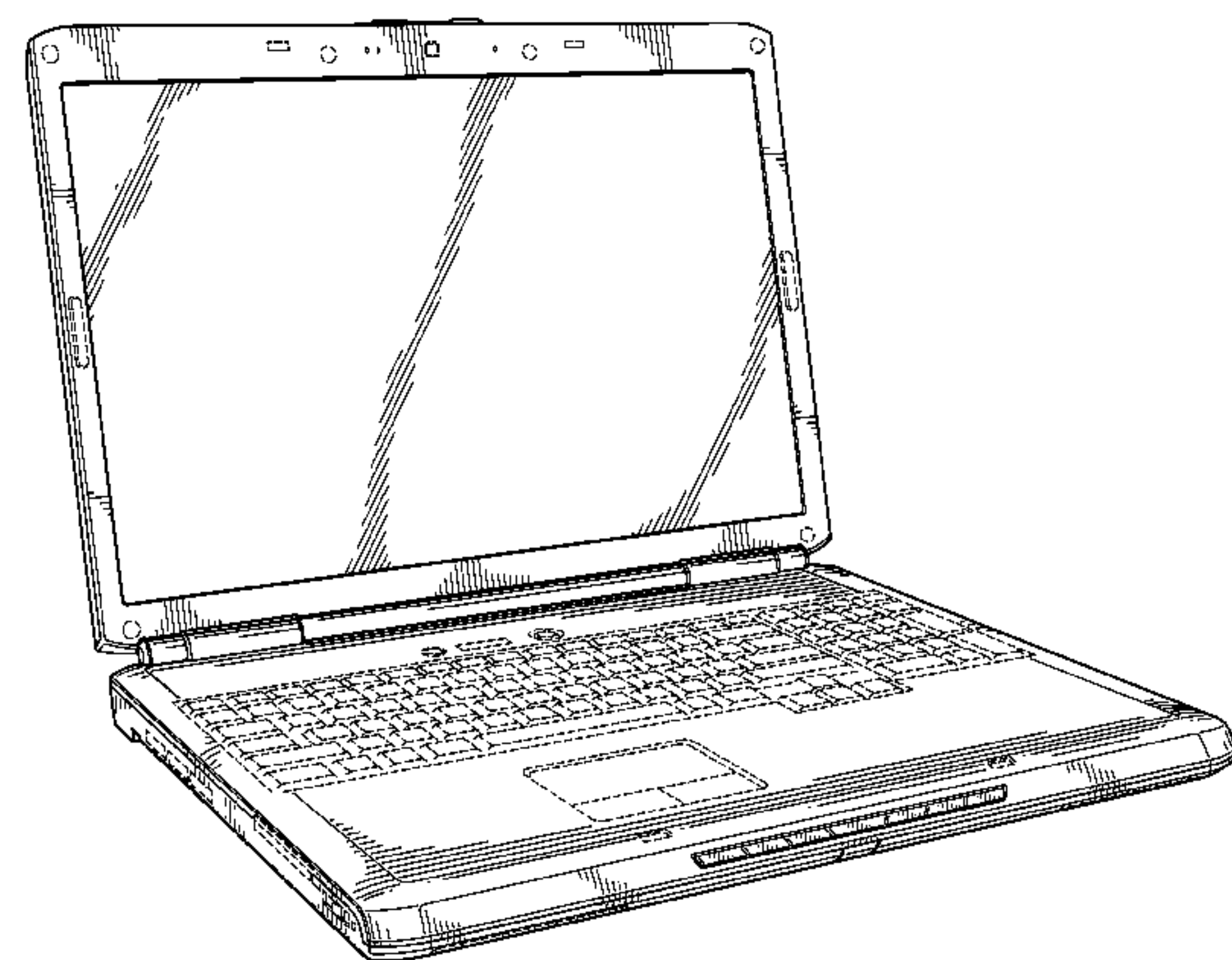
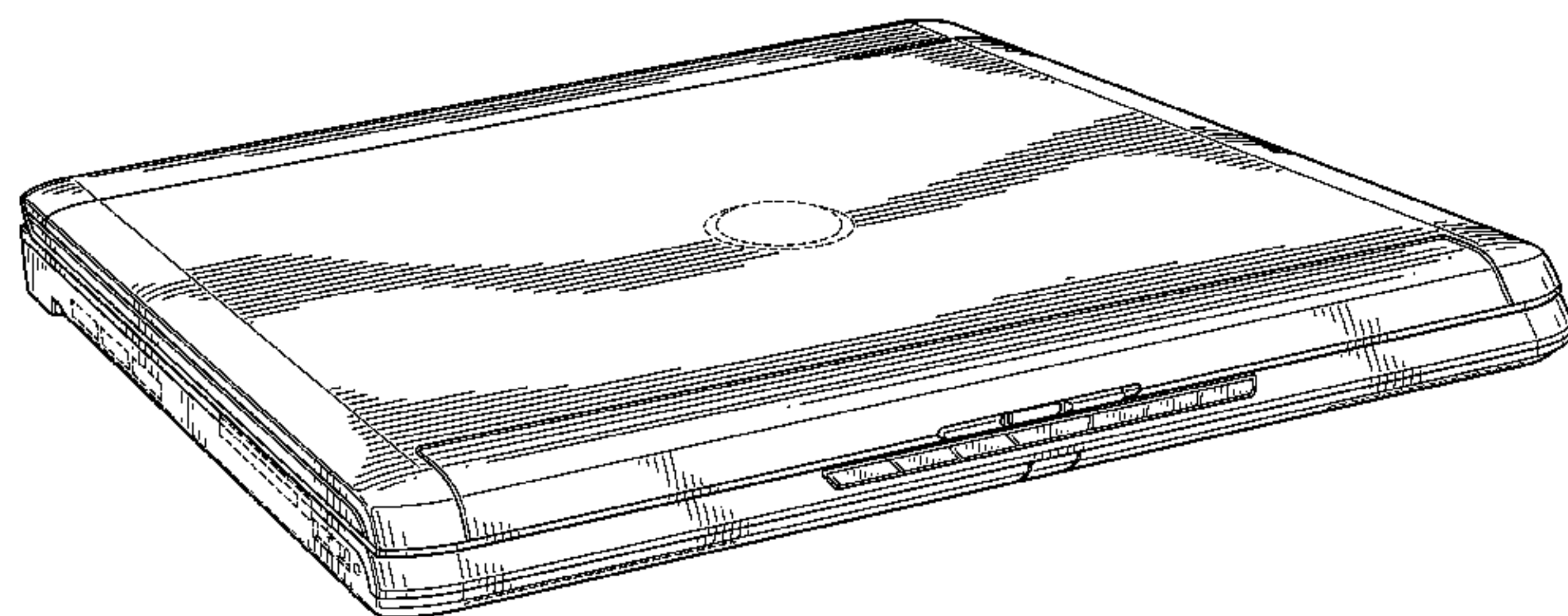
FIG. 6 is a top view thereof;

FIG. 7 is a bottom view thereof; and,

FIG. 8 is an open perspective view thereof.

The elements illustrated in broken lines in the drawing figures are considered environmental only and do not form a part of the claimed design.

**1 Claim, 6 Drawing Sheets**



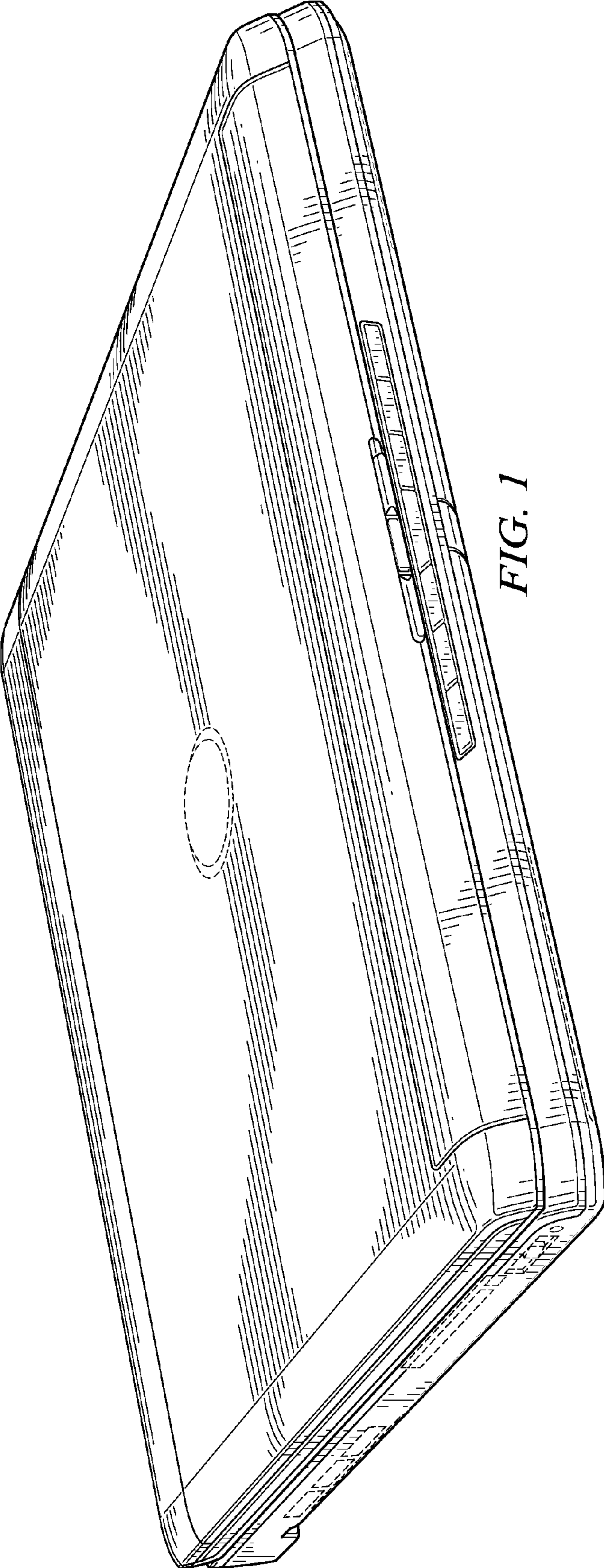
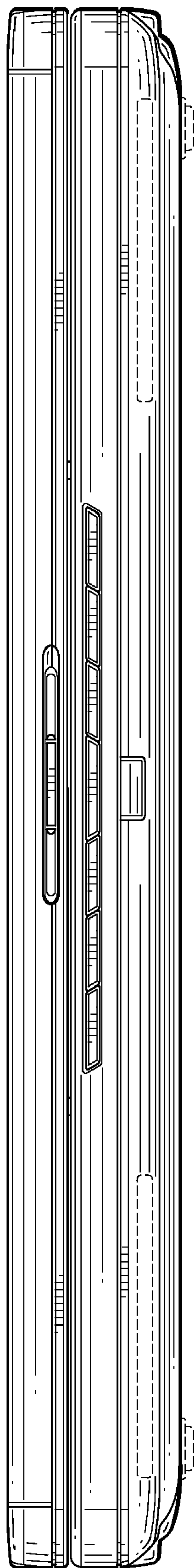
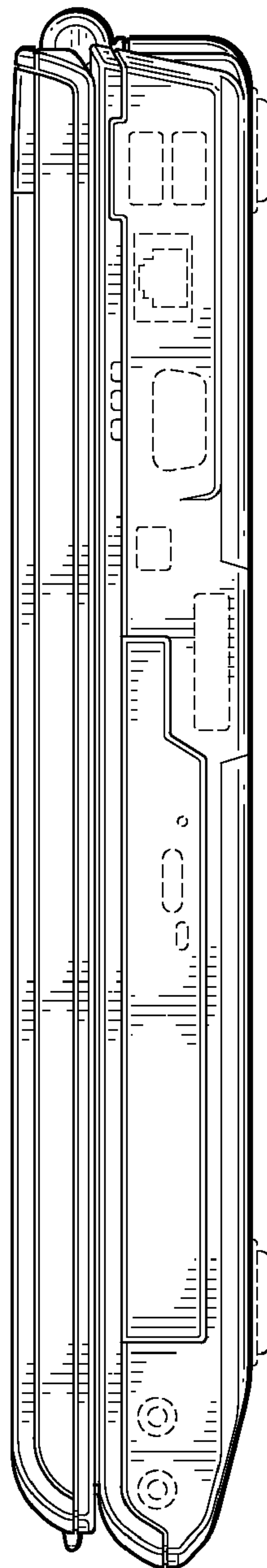


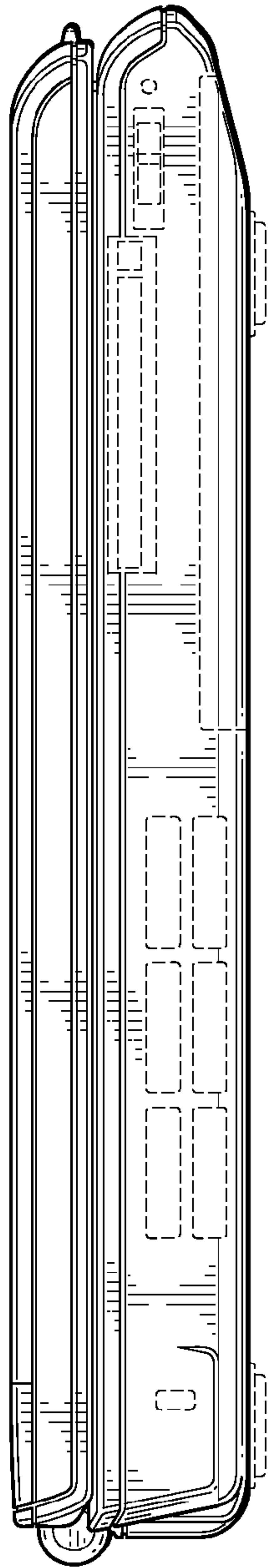
FIG. 1



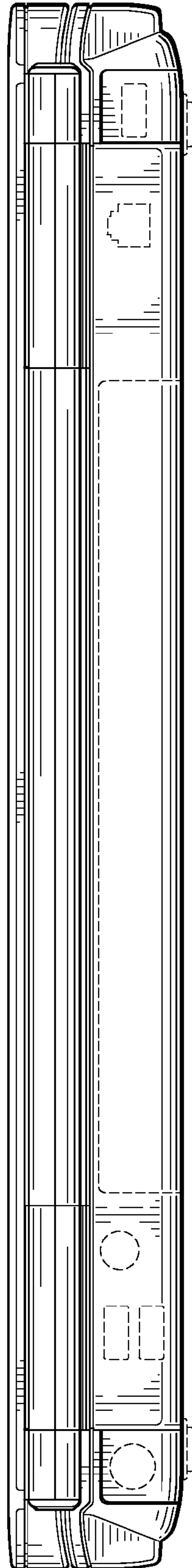
*FIG. 2*



*FIG. 3*



*FIG. 4*



*FIG. 5*

FIG. 6

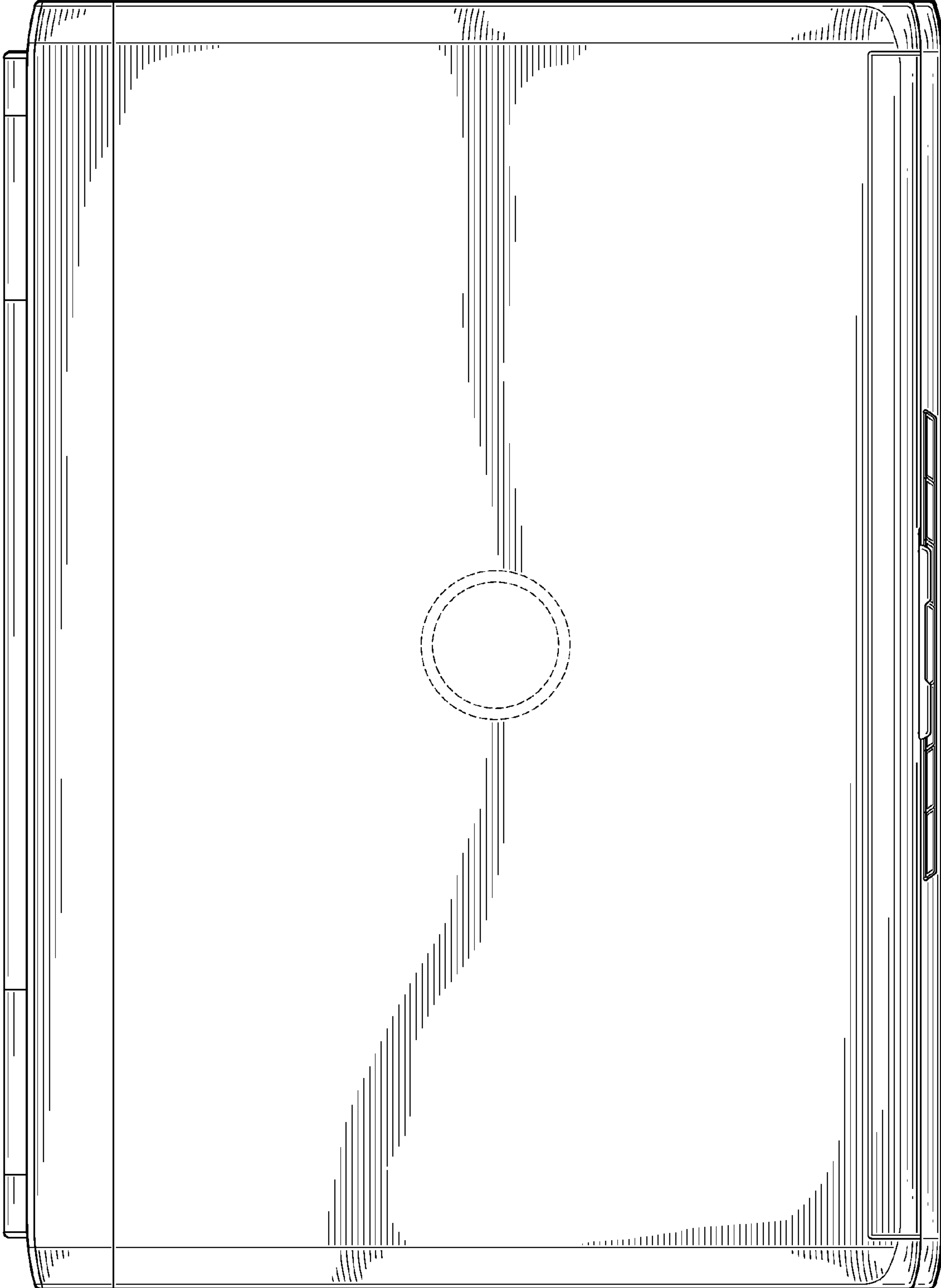
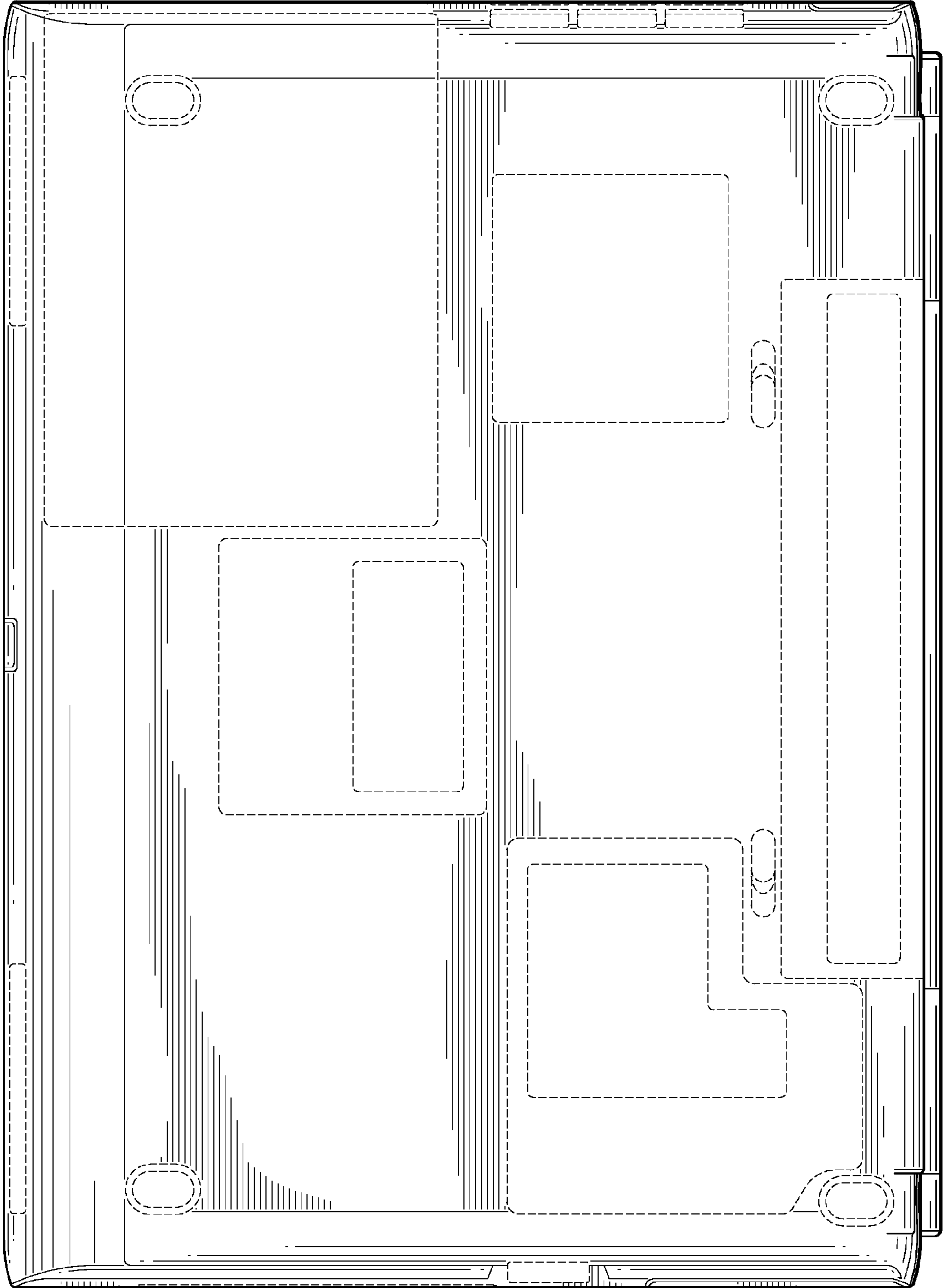


FIG. 7





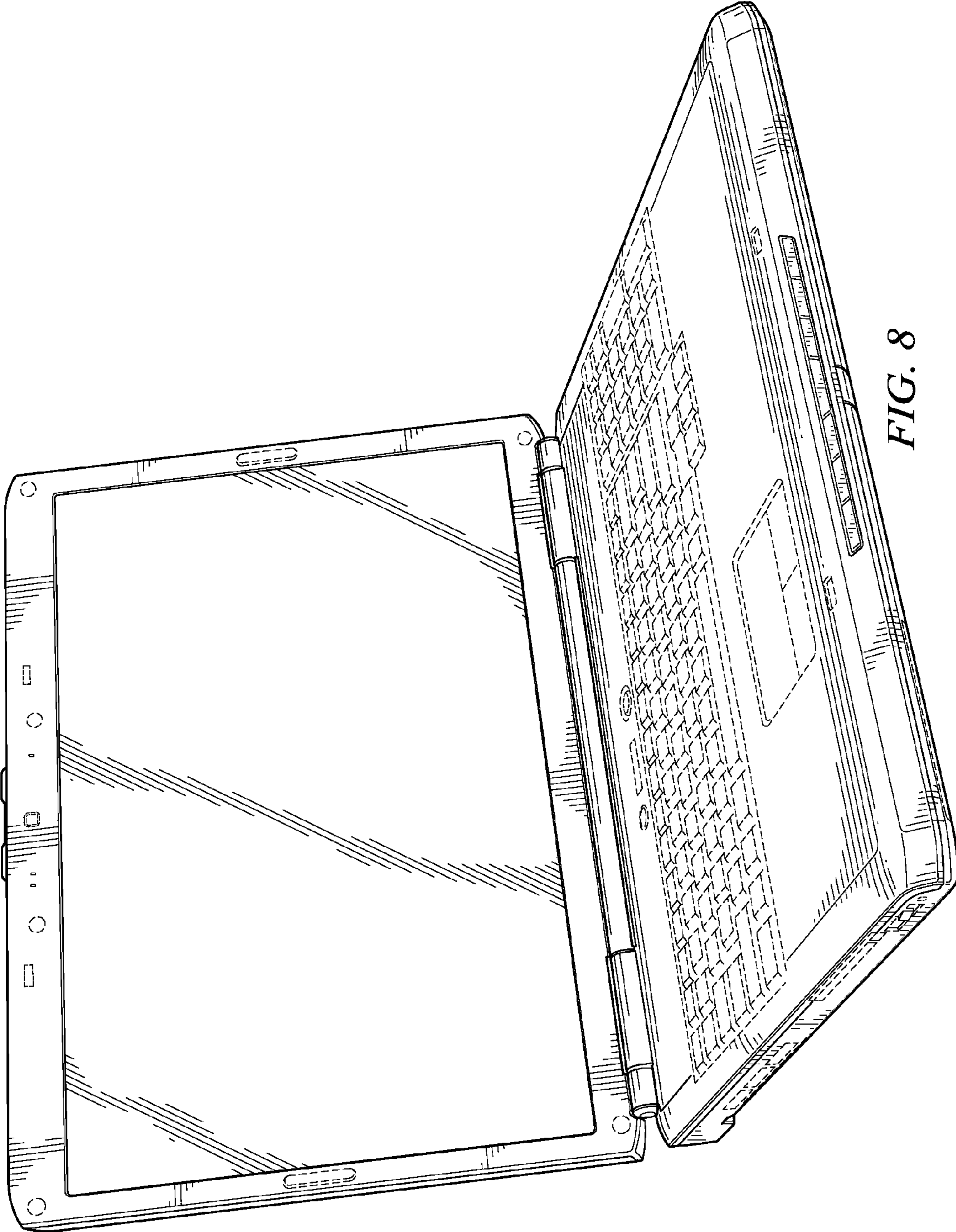


FIG. 8