



US00D586798S

(12) **United States Design Patent**
Tanaka et al.

(10) **Patent No.:** **US D586,798 S**
(45) **Date of Patent:** **** Feb. 17, 2009**

(54) **PORTABLE INFORMATION HANDLING SYSTEM**

(75) Inventors: **Toshiyuki Tanaka**, Austin, TX (US);
Viorel Luminosu, Round Rock, TX (US);
Vincent Lam, Austin, TX (US);
Michael Massuco, Oakland, CA (US);
Gadi Amit, Belmont, CA (US)

(73) Assignee: **Dell Products LP**, Round Rock, TX (US)

(**) Term: **14 Years**

(21) Appl. No.: **29/302,610**

(22) Filed: **Jan. 21, 2008**

(51) **LOC (9) Cl.** **14-02**

(52) **U.S. Cl.** **D14/315**

(58) **Field of Classification Search** D14/315,
D14/331, 341-346, 318, 327; D18/1, 2,
D18/7, 11; 348/373; 200/5 A, 5 R, 6 A,
200/6 R; 345/102, 168, 173; 235/145 A,
235/145 R; 400/472, 479, 484-489; 361/680-686;
341/22, 23; D3/294

See application file for complete search history.

(56) **References Cited**

U.S. PATENT DOCUMENTS

D391,927 S * 3/1998 Faranda et al. D14/318
6,323,902 B1 * 11/2001 Ishikawa 348/373
D480,079 S * 9/2003 Miao et al. D14/315
D504,129 S * 4/2005 Loew et al. D14/318

D504,683 S 5/2005 Kim et al.
D516,066 S * 2/2006 Solomon et al. D14/327
D523,428 S * 6/2006 Ozias et al. D14/315
D543,700 S * 6/2007 Parker et al. D3/294
D565,045 S 3/2008 Wu et al.

* cited by examiner

Primary Examiner—Freda S Nunn

(74) *Attorney, Agent, or Firm*—Hamilton & Terrile, LLP;
Stephen A. Terrile

(57) **CLAIM**

The ornamental design for a portable information handling system, as shown and described.

DESCRIPTION

FIG. 1 is a front perspective view of the information handling system comprising the present invention;

FIG. 2 is a front side view thereof;

FIG. 3 is a left side view thereof;

FIG. 4 is a right side view thereof;

FIG. 5 is a back side view thereof;

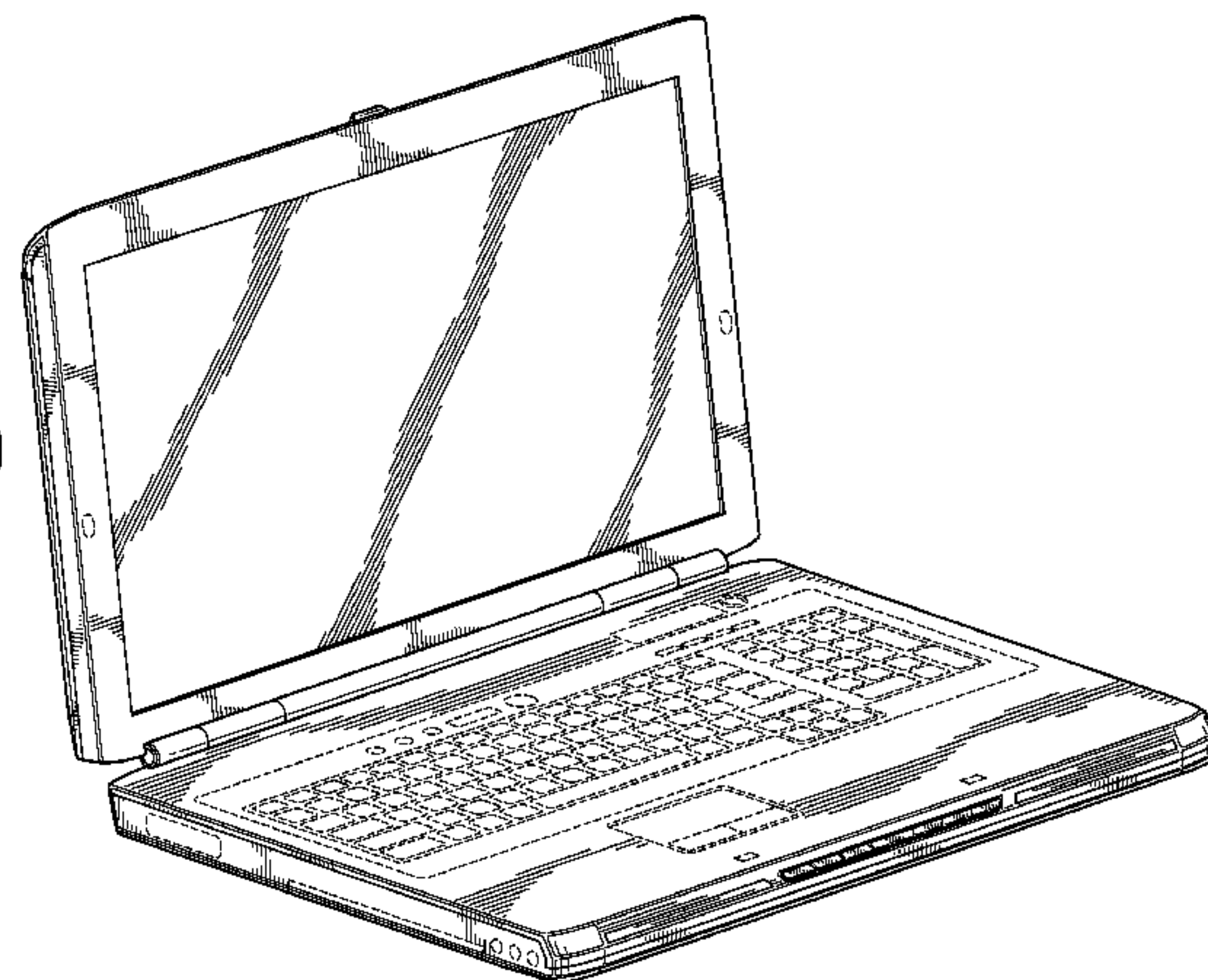
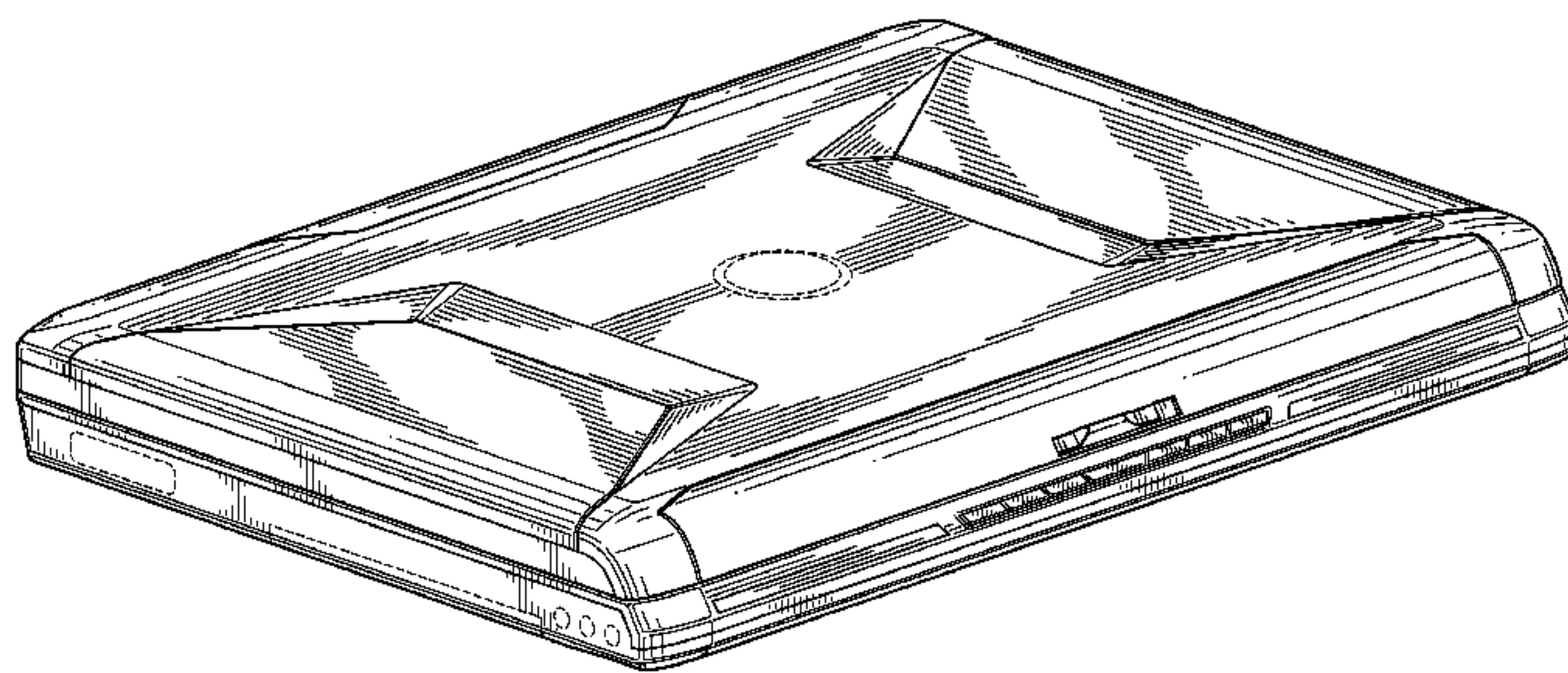
FIG. 6 is a top plan view thereof;

FIG. 7 is a bottom plan view thereof; and,

FIG. 8 is a perspective view thereof shown opened.

The elements illustrated in broken lines in the drawing figures are considered environmental only and do not form a part of the claimed design.

1 Claim, 6 Drawing Sheets



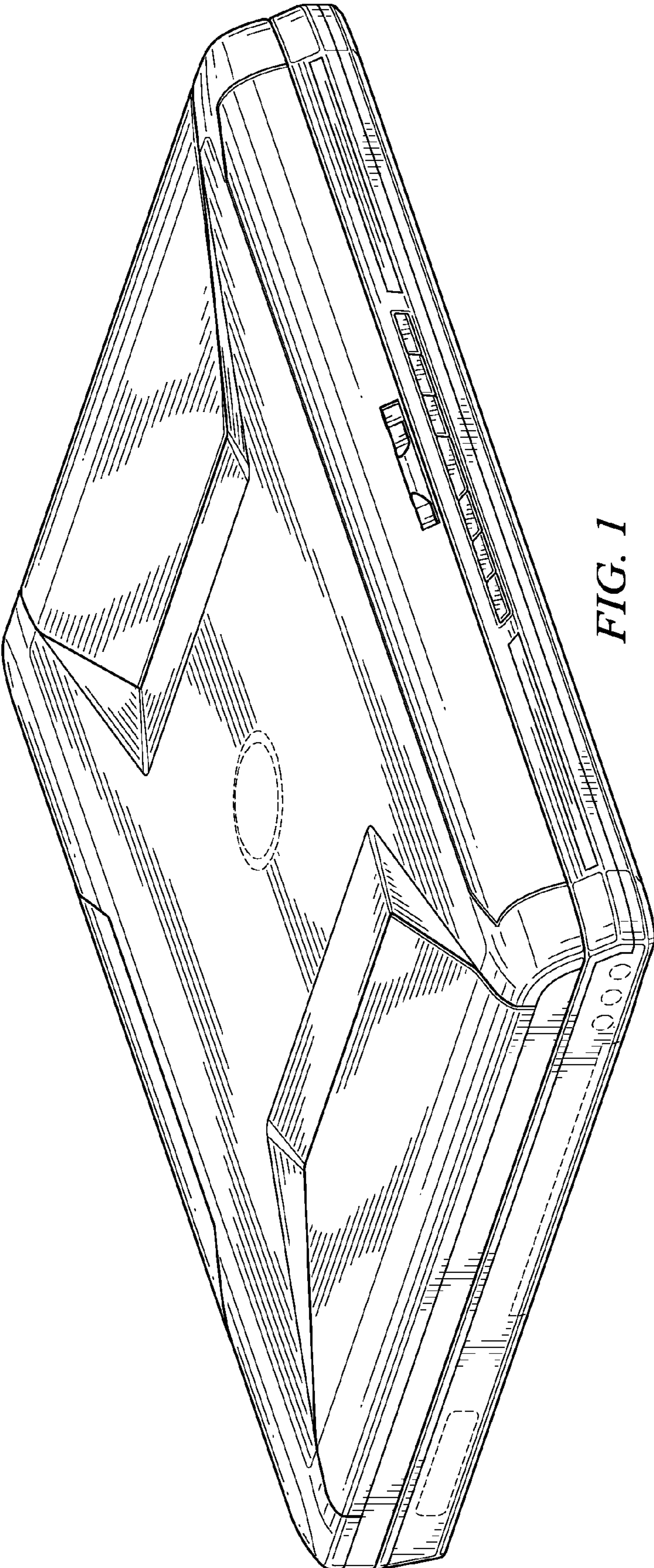


FIG. 1

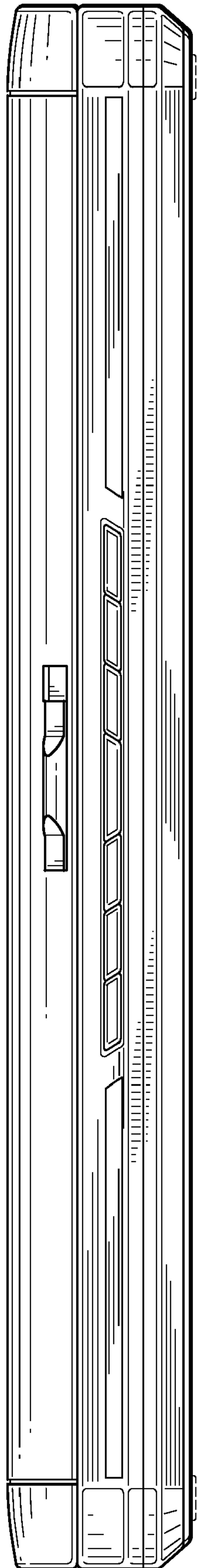


FIG. 2

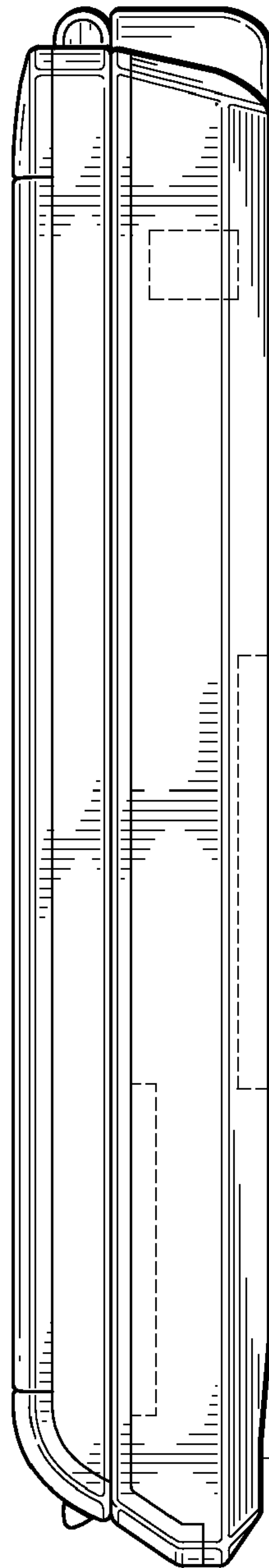


FIG. 3

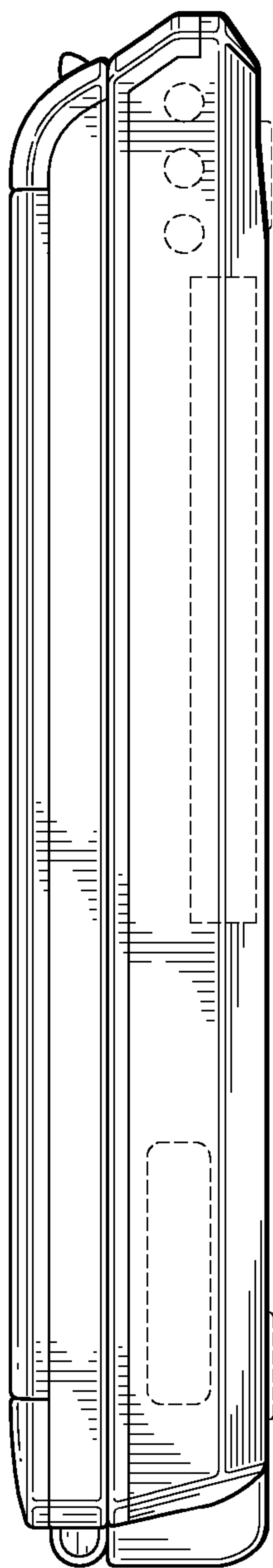


FIG. 4

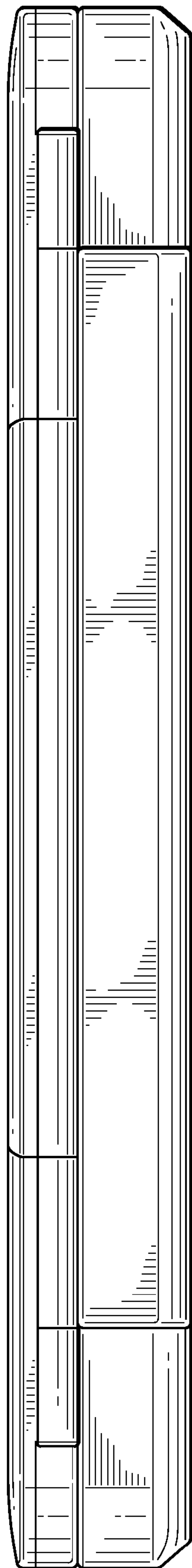


FIG. 5

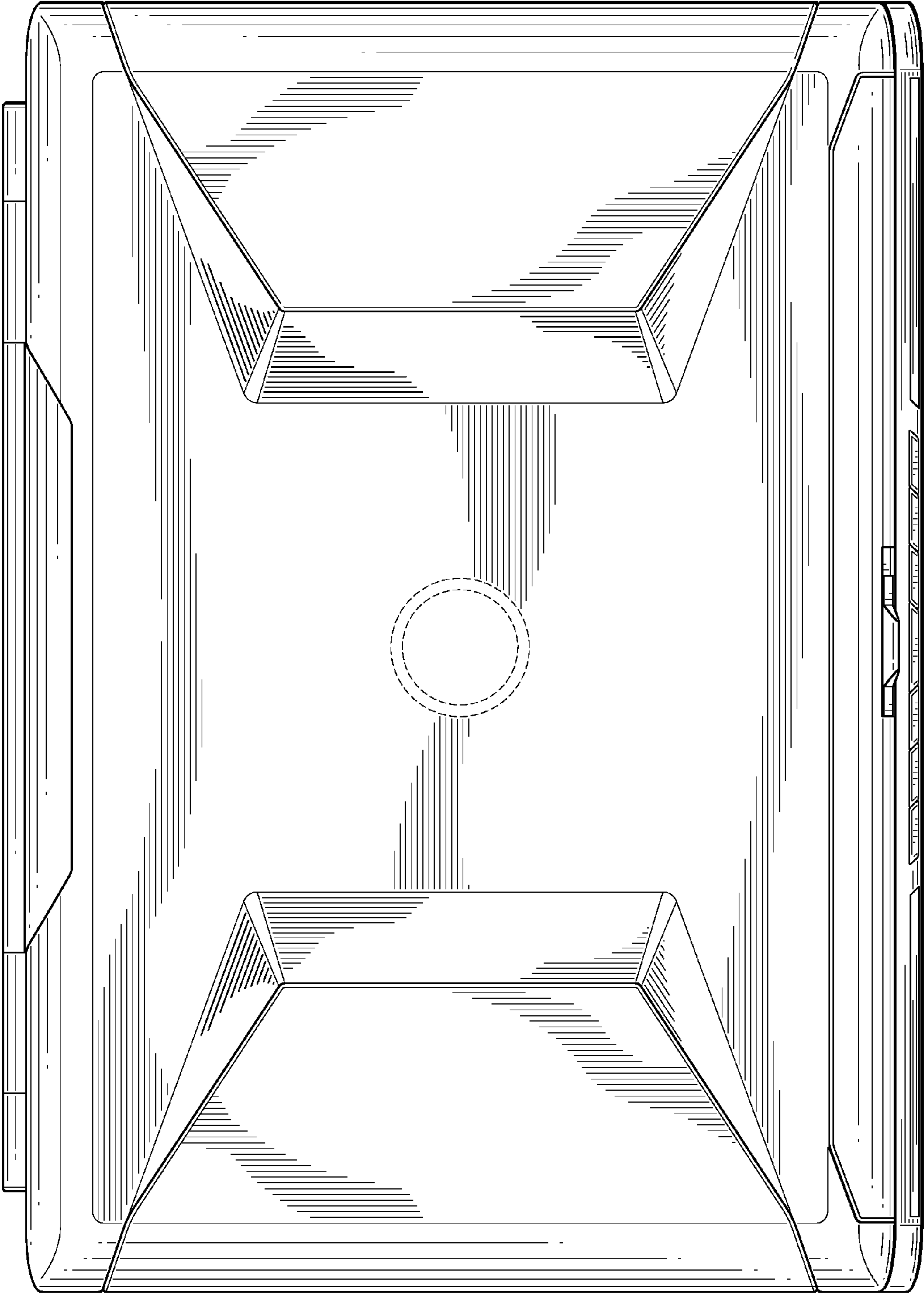


FIG. 6

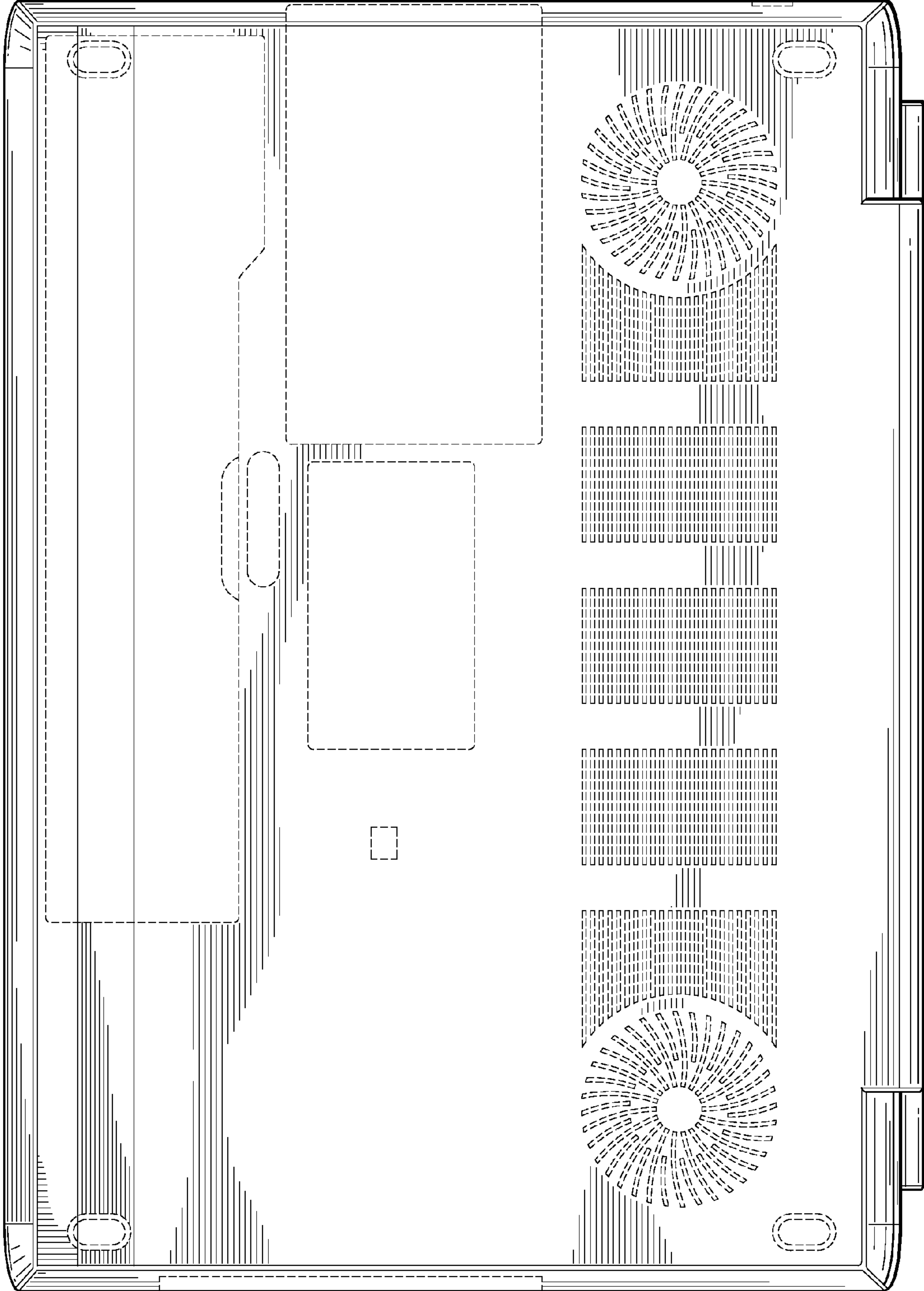


FIG. 7

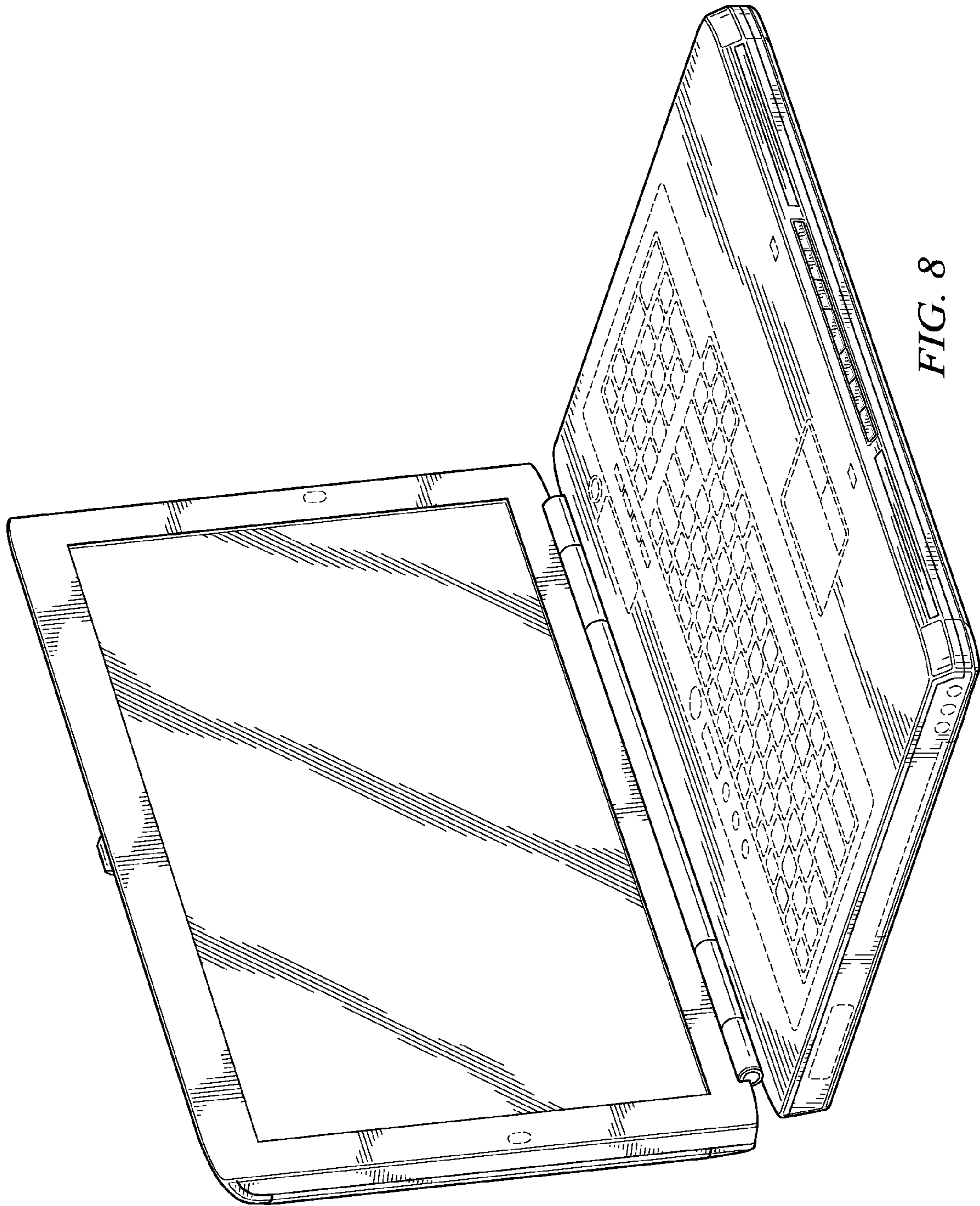


FIG. 8