



US00D586797S

(12) **United States Design Patent**  
**Kawase et al.**

(10) **Patent No.:** **US D586,797 S**  
(45) **Date of Patent:** **\*\* Feb. 17, 2009**

(54) **NOTEBOOK COMPUTER**  
(75) Inventors: **Atsushi Kawase**, Seoul (KR); **Se-O Lee**,  
Kyunggi-do (KR)  
(73) Assignee: **Samsung Electronics Co., Ltd.**, Suwon,  
Kyunggi-Do (KR)

(\*\*) **Term:** **14 Years**  
(21) **Appl. No.:** **29/301,709**  
(22) **Filed:** **Mar. 13, 2008**

(51) **LOC (9) Cl.** ..... **14-02**  
(52) **U.S. Cl.** ..... **D14/315**  
(58) **Field of Classification Search** ..... D14/315-328;  
D18/1, 2, 7, 11; 235/145 A, 145 R; 341/22,  
341/23; 345/104, 156, 168, 169, 173, 87,  
345/901-905; 361/680-686; 400/486, 489;  
710/14; 455/566  
See application file for complete search history.

(56) **References Cited**  
**U.S. PATENT DOCUMENTS**

|                |         |               |         |
|----------------|---------|---------------|---------|
| D335,870 S     | 5/1993  | Yun           |         |
| D336,465 S     | 6/1993  | Kim           |         |
| D338,457 S     | 8/1993  | Kim           |         |
| D348,442 S     | 7/1994  | Yoon          |         |
| 6,073,187 A *  | 6/2000  | Jacobs et al. | 710/14  |
| D466,498 S *   | 12/2002 | Wang          | D14/318 |
| D476,326 S *   | 6/2003  | Tanimura      | D14/318 |
| 6,657,854 B2 * | 12/2003 | Horii et al.  | 361/683 |
| 6,744,623 B2 * | 6/2004  | Numano et al. | 361/681 |
| D492,678 S     | 7/2004  | Kim et al.    |         |
| D511,515 S *   | 11/2005 | Huang et al.  | D14/327 |
| 7,035,665 B2 * | 4/2006  | Kido et al.   | 455/566 |
| D523,010 S     | 6/2006  | Paek et al.   |         |
| D523,431 S     | 6/2006  | Yoon          |         |
| D523,851 S     | 6/2006  | Jeong et al.  |         |
| D523,852 S     | 6/2006  | Kim et al.    |         |
| D524,306 S     | 7/2006  | Yun et al.    |         |

|            |         |              |
|------------|---------|--------------|
| D524,307 S | 7/2006  | Kim et al.   |
| D535,652 S | 1/2007  | Lee et al.   |
| D547,309 S | 7/2007  | Yoon         |
| D547,310 S | 7/2007  | Yoon         |
| D556,192 S | 11/2007 | Jeong et al. |

**OTHER PUBLICATIONS**

U.S. Appl. No. 29/269,011, Applicant: Sang-Won Yoon, filed Nov. 17, 2006 entitled Notebook Computer.  
U.S. Appl. No. 29/272,052, Applicant: Sang-Won Yoon, filed Jan. 31, 2007 entitled Notebook Computer.  
U.S. Appl. No. 29/272,054, Applicant: Sang-Won Yoon, filed Jan. 31, 2007 entitled Notebook Computer.  
U.S. Appl. No. 29/292,086, Applicant: Sang-Won Yoon, filed Sep. 27, 2007 entitled Notebook Computer.  
U.S. Appl. No. 29/301,708, Applicant: Se-O Lee, et al., filed Mar. 13, 2008 entitled Notebook Computer.  
U.S. Appl. No. 29/301,707, Applicant: Se-O Lee, et al., filed Mar. 13, 2008 entitled Notebook Computer.

\* cited by examiner

*Primary Examiner*—Freda S Nunn  
(74) *Attorney, Agent, or Firm*—Flynn, Thiel, Boutell & Tanis, P.C.

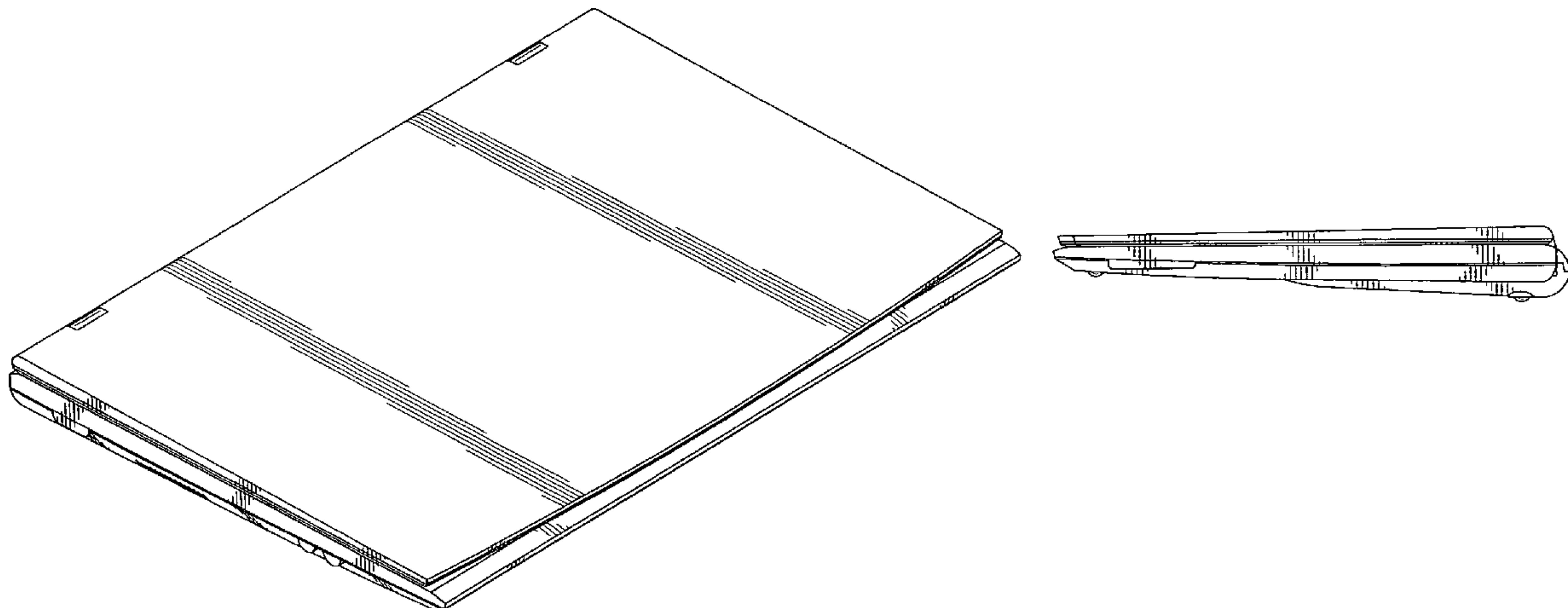
(57) **CLAIM**

The ornamental design for a notebook computer, as shown and described.

**DESCRIPTION**

FIG. 1 is a top front perspective view of a notebook computer showing our new design;  
FIG. 2 is a front elevational view thereof;  
FIG. 3 is a rear elevational view thereof;  
FIG. 4 is a left side elevational view thereof;  
FIG. 5 is a right side elevational view thereof;  
FIG. 6 is a top plan view thereof; and,  
FIG. 7 is a bottom plan view thereof.

**1 Claim, 4 Drawing Sheets**



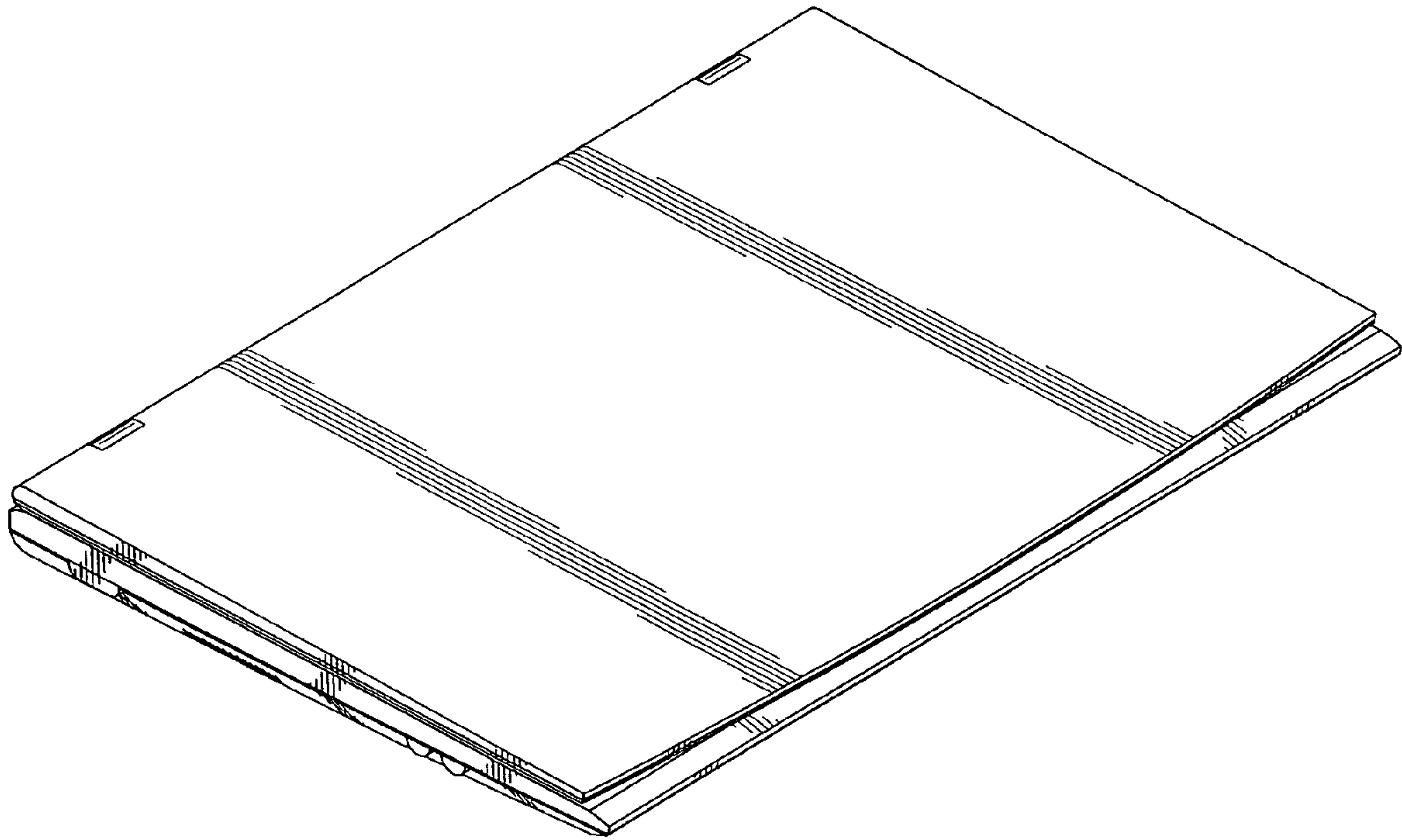


FIG. 1

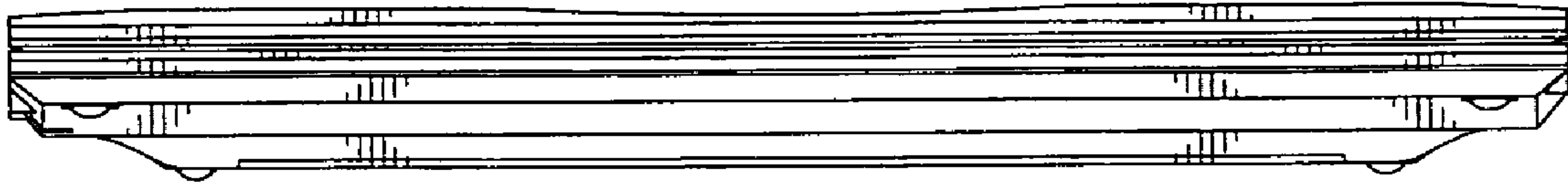


FIG. 2

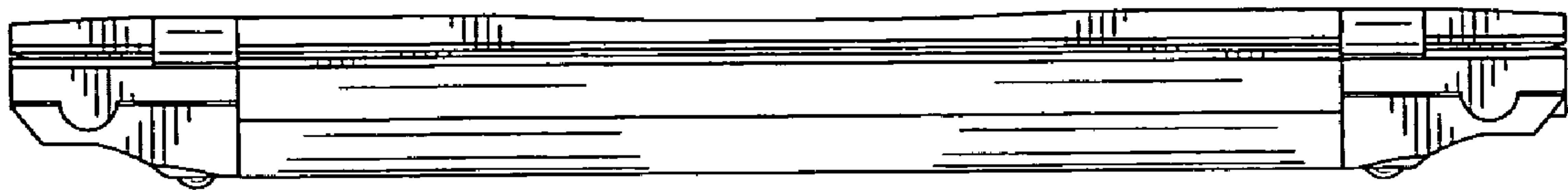


FIG. 3

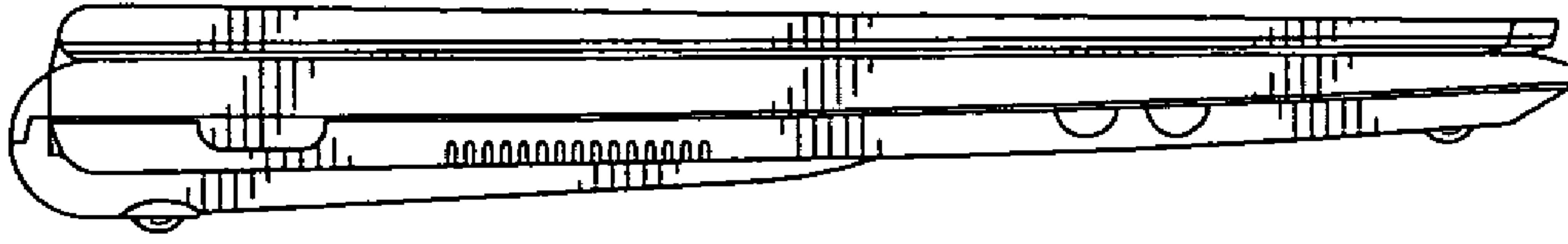


FIG. 4

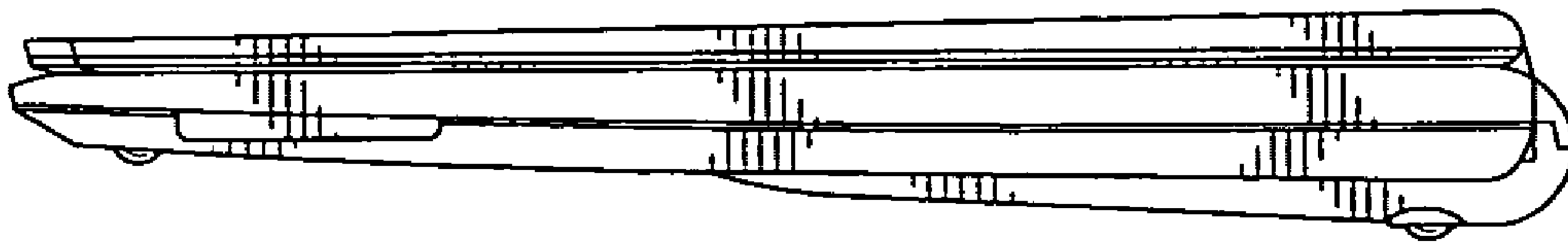


FIG. 5

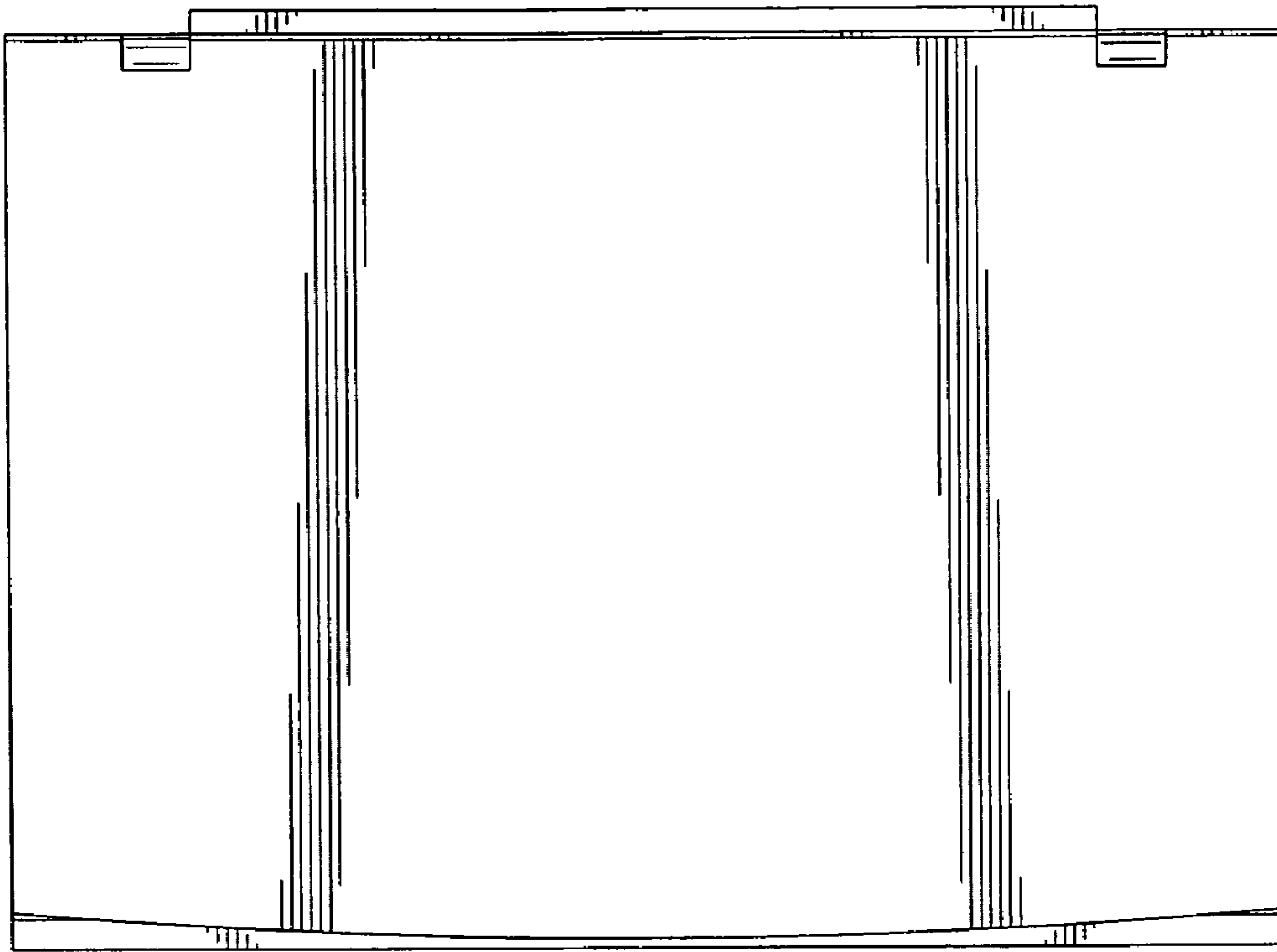


FIG. 6

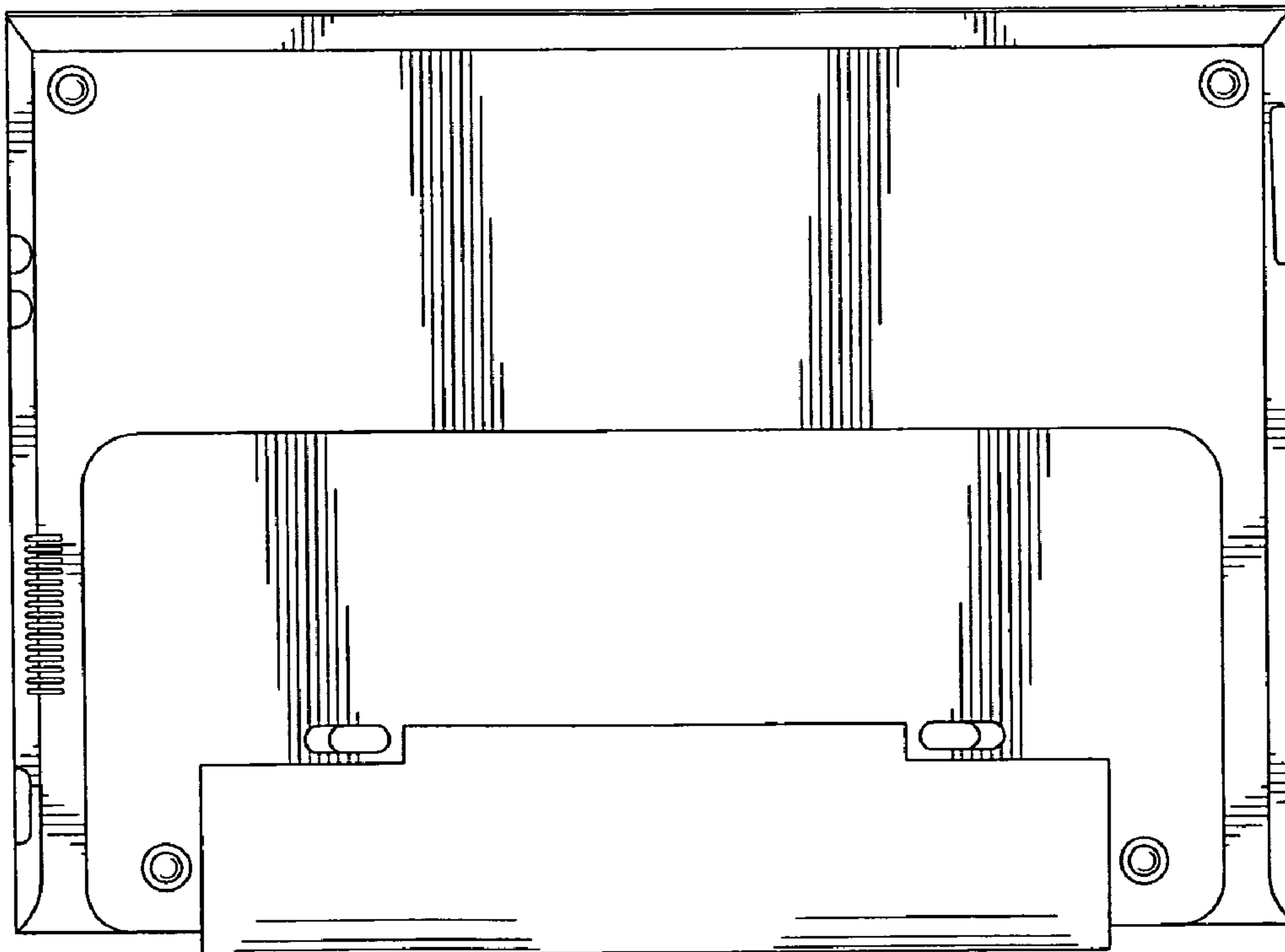


FIG. 7